



T&S BRASS AND BRONZE WORKS, INC.

2 Saddleback Cove / P.O. Box 1088
Travelers Rest, SC 29690

Model No.

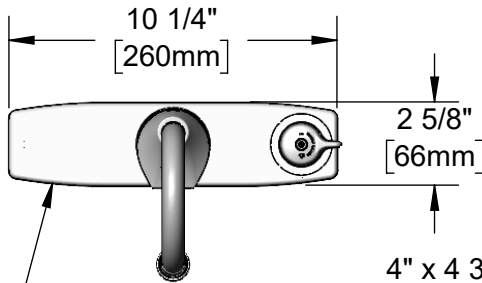
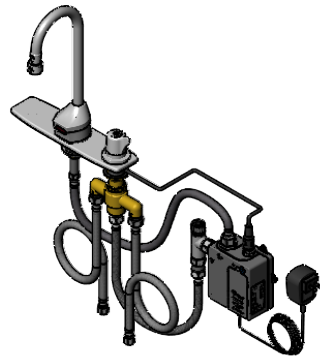
EC-3100-SMT8V05

Item No.

Travelers Rest, SC: 800-476-4103 • Simi Valley, CA: 800-423-0150 • Fax: 864-834-3518 • www.tsbrass.com



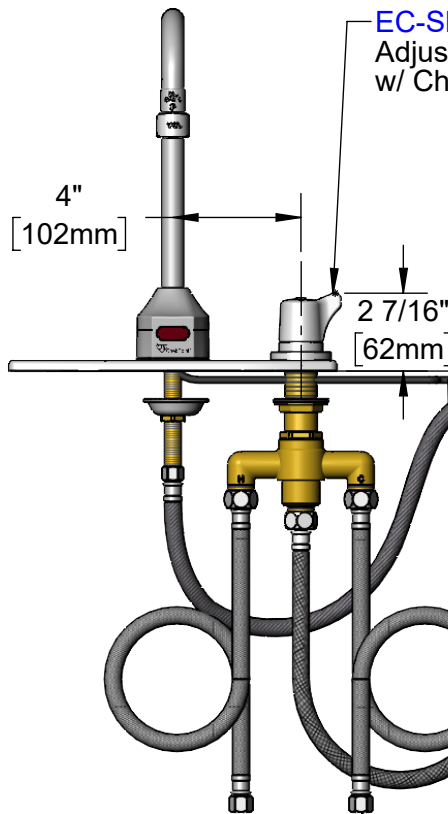
ADA Compliant



Chrome Plated Die Cast Deck Plate

4" x 4 3/8" x 2 3/16" Deep [102mm x 111mm x 56mm] Water Resistant Control Module Box (Grey) w/ Internal Flow Control Setting Switches, AC or DC Operated w/ (4) AA Batteries. Hardwire Capable Using Terminals on Back

EC-SMT Above Deck Side Mount Adjustable Thermostatic Mixing Valve w/ Check Valves



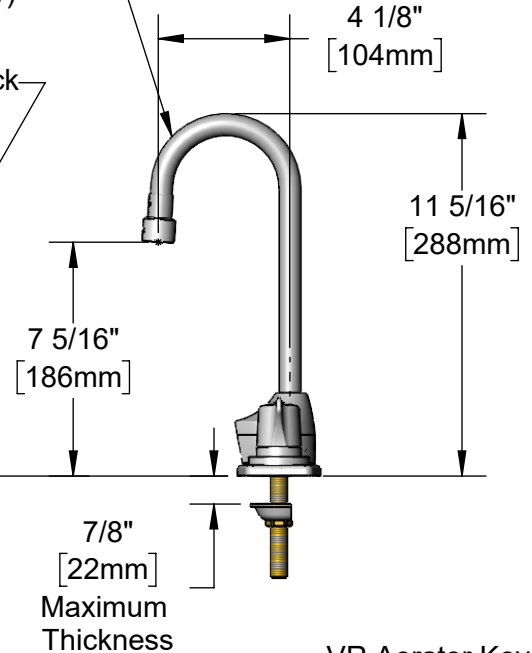
1/2" NPSM x 1/4" NPSM 18" [457mm] Flexible Stainless Steel Hose

Removable Strainer

24" [610mm] Sensor Cable

Mounting Surface

Rigid Gooseneck w/ 0.5 GPM [1.9 L/min] Vandal Resistant Non-Aerated Spray Device



100-240 VAC Adapter w/ 72" [1830mm] Power Cord

1/2" NPSM x 1/2" NPSM 16" [406mm] Flexible Stainless Steel Hose

(2) 3/8" Compression x 1/2" NPSM 18" [457mm] Flexible Stainless Steel Supply Hoses

Rough-In Requirement: (2) \varnothing 1" [25mm] Mounting Holes

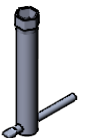
VR Aerator Key (Included)



VR Screw L-Key (Included)



Shank Nut Wrench (Included)



Product Specifications:

Chrome Plated Brass Electronic Faucet: Deck Mount Rigid Gooseneck w/ 0.5 GPM VR Non-Aerated Spray Device, 8" c/c Deck Plate, Above Deck Side Mount Adjustable Thermostatic Mixing Valve w/ Check Valves, AC/DC Control Module with Internal Flow Control Setting Switches, 18" Hot & Cold Supply Stop Flexible Connector Hoses

Product Compliance:

ASME A112.18.1 / CSA B125.1
NSF 61 - Section 9
NSF 372 (Low Lead Content)
ANSI A117.1 (ADA)
UL 1951
ASSE 1070 (TMV)



T&S BRASS AND BRONZE WORKS, INC.

2 Saddleback Cove / P.O. Box 1088
Travelers Rest, SC 29690

Model No.

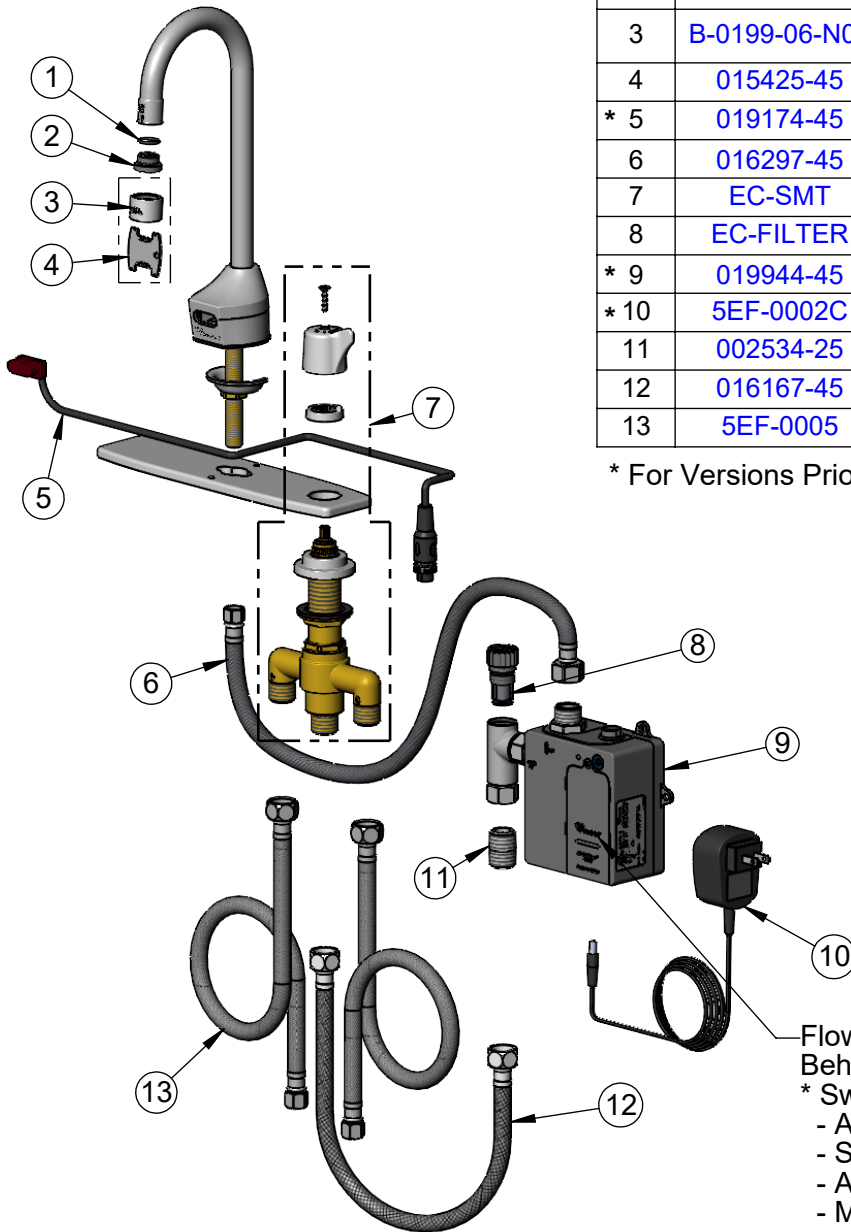
EC-3100-SMT8V05

Item No.

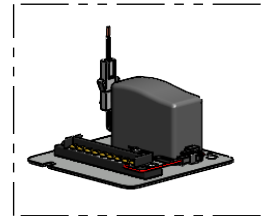
Travelers Rest, SC: 800-476-4103 • Simi Valley, CA: 800-423-0150 • Fax: 864-834-3518 • www.tsbrass.com

ITEM NO.	SALES NO.	DESCRIPTION
1	006575-45	O-Ring
2	044A	3/8" to Aerator Adapter
3	B-0199-06-N05	VR 0.5 GPM Non-Aerated Spray Device, 55/64-27 UN Female w/ Key
4	015425-45	Vandal Resistant Key
* 5	019174-45	Sensor Cable Assembly
6	016297-45	Inlet Hose, Faucet, 1/2" NPSM-F x 1/4" NPSM-F
7	EC-SMT	Above Deck Thermostatic Mixing Valve w/ Handle
8	EC-FILTER	Replacement Filter
* 9	019944-45	ChekPoint Control Module w/ Filter Tee
* 10	5EF-0002C	AC Adapter - US Plug
11	002534-25	Close Nipple, 1/2" NPT
12	016167-45	Supply Hose, 1/2" NPSM Female Ends
13	5EF-0005	Supply Hose, 9/16-24 Female x 1/2" NPSM

* For Versions Prior to 2021, Consult with T&S Customer Service



A Maximum of (8) ChekPoint Faucets can be Hardwire Connected and Powered by **EC-HARDWIRE** ChekPoint Hardwire AC Transformer. (Sold Separately)

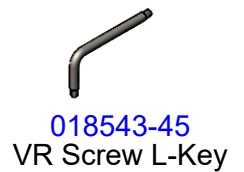


Flow Control Switches are Located Behind Battery Compartment Cover.

- * Switches are Set to DEFAULT Position:
- Auto Time Out = 15 Seconds
 - Shut Off Delay = 1 Second
 - Auto Flush = OFF
 - Metering Mode = OFF

*** Available Water Flow Control Selections:**

- Auto Time Out: 15 sec, 30 sec, 45 sec, 60 sec, 3 min, 20 min
- Shut Off Delay: 1 sec, 10 sec, 15 sec, 30 sec
- Auto Flush (30 Seconds After Every 12 Inactive Hours): ON or OFF
- Metering Mode: ON or OFF



Product Specifications:

Chrome Plated Brass Electronic Faucet: Deck Mount Rigid Gooseneck w/ 0.5 GPM VR Non-Aerated Spray Device, 8" c/c Deck Plate, Above Deck Side Mount Adjustable Thermostatic Mixing Valve w/ Check Valves, AC/DC Control Module with Internal Flow Control Setting Switches, 18" Hot & Cold Supply Stop Flexible Connector Hoses

Product Compliance:

ASME A112.18.1 / CSA B125.1
NSF 61 - Section 9
NSF 372 (Low Lead Content)
ANSI A117.1 (ADA)
UL 1951
ASSE 1070 (TMV)