



T&S BRASS AND BRONZE WORKS, INC.

2 Saddleback Cove / P.O. Box 1088
Travelers Rest, SC 29690

Model No.

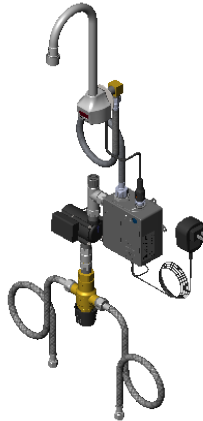
EC-3101TMVHGF10

Item No.

Travelers Rest, SC: 800-476-4103 • Simi Valley, CA: 800-423-0150 • Fax: 864-834-3518 • www.tsbrass.com



ADA Compliant



This Space for Architect/Engineer Approval

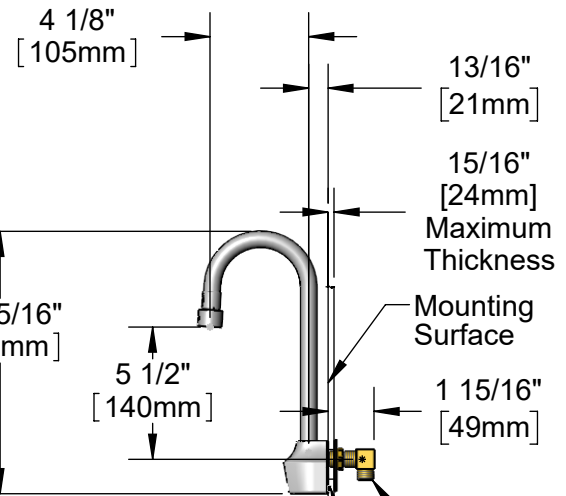
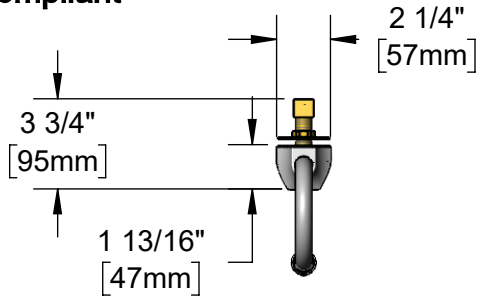
Job Name _____ Date _____

Model Specified _____ Quantity _____

Customer/Wholesaler _____

Contractor _____

Architect/Engineer _____



1/2" NPSM x 3/8" NPSM
30" [762mm] Flexible
Stainless Steel Hose

Rigid Gooseneck w/
B-0199-06-F10
VR 1.0 GPM Aerator

24" [610mm]
Sensor Cable

Removable
Strainer

4" x 4 3/8" x 2 3/16" Deep
[102mm x 111mm x 56mm]
Water Resistant Control Module Box (Grey)
w/ Internal Flow Control Setting Switches
AC or DC Operated w/ (4) AA Batteries

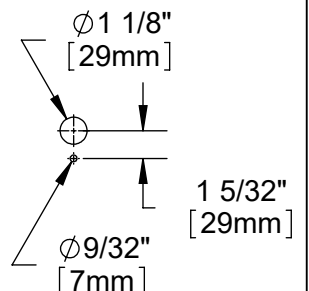
EC-HYDROGEN
Hydro-Generator
Power Supply.
No AA Batteries
Needed to Supply
Power to Faucet

Optional 100-240 VAC Adapter
w/ 72" [1830mm] Power Cord.
(Remove Rubber Plugs on Module
and Cable to Connect)

(2) 3/8" Compression x 1/2" NPSM
18" [457mm] Flexible Stainless Steel
Supply Hoses

EC-TMV
ASSE 1070 Thermostatic
Temperature Mixing Valve
w/ Check Valves

Mounting Hole Detail



Product Specifications:

Chrome Plated Brass Electronic Faucet: Wall Mount Rigid Gooseneck w/
1.0 GPM VR Aerator, AC/DC Control Module w/ Internal Flow Control
Setting Switches, Thermostatic Temperature Control Mixing Valve w/
Check Valves, Hydro-Generator, 18" Hot & Cold Flexible Connector Hoses

Product Compliance:

ASME A112.18.1 / CSA B125.1
NSF 61 - Section 9
NSF 372 (Low Lead Content)
ANSI A117.1 (ADA)
UL 1951
ASSE 1070 (TMV)



T&S BRASS AND BRONZE WORKS, INC.

2 Saddleback Cove / P.O. Box 1088
Travelers Rest, SC 29690

Model No.

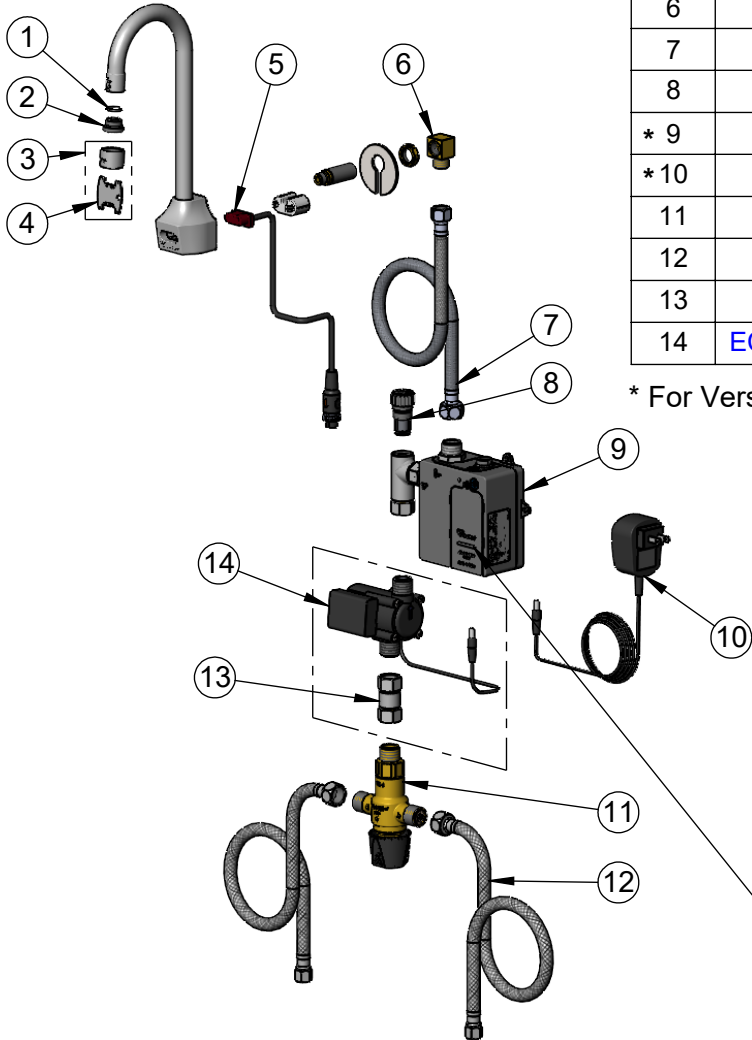
EC-3101TMVHGF10

Item No.

Travelers Rest, SC: 800-476-4103 • Simi Valley, CA: 800-423-0150 • Fax: 864-834-3518 • www.tsbrass.com

ITEM NO.	SALES NO.	DESCRIPTION
1	006575-45	O-Ring
2	044A	3/8" to Aerator Adapter
3	B-0199-06-F10	VR Aerator, 1.0 GPM, 55/64-27 Female
4	015425-45	Vandal Resistant Key
* 5	019174-45	Sensor Cable Assembly
6	015345-20	Low Profile Elbow, 3/8 NPSM
7	016325-45	Flex Connector, 3/8 NPSM x 1/2 NPSM
8	EC-FILTER	Replacement Filter
* 9	019944-45	ChekPoint Control Module w/ Filter Tee
* 10	5EF-0002C	AC Adapter - US Plug
11	EC-TMV	ASSE 1070 Thermostatic Mixing Valve
12	5EF-0005	Supply Hose, 9/16-24 Female x 1/2" NPSM
13	017506-45	1/2" NPSM Swivel Coupling
14	EC-HYDROGEN	HydroGenerator Power Supply

* For Versions Prior to 2021, Consult with T&S Customer Service



Flow Control Switches are Located Behind Battery Compartment Cover.
* Switches are Set to DEFAULT Position:
- Auto Time Out = 15 Seconds
- Shut Off Delay = 1 Second
- Auto Flush = OFF
- Metering Mode = OFF

*** Available Water Flow Control Selections:**

- Auto Time Out: 15 sec, 30 sec, 45 sec, 60 sec, 3 min, 20 min
- Shut Off Delay: 1 sec, 10 sec, 15 sec, 30 sec
- Auto Flush (30 Seconds After Every 12 Inactive Hours): ON or OFF
- Metering Mode: ON or OFF

Product Specifications:

Chrome Plated Brass Electronic Faucet: Wall Mount Rigid Gooseneck w/ 1.0 GPM VR Aerator, AC/DC Control Module w/ Internal Flow Control Setting Switches, Thermostatic Temperature Control Mixing Valve w/ Check Valves, Hydro-Generator, 18" Hot & Cold Flexible Connector Hoses

Product Compliance:

ASME A112.18.1 / CSA B125.1
NSF 61 - Section 9
NSF 372 (Low Lead Content)
ANSI A117.1 (ADA)
UL 1951
ASSE 1070 (TMV)