



**T&S BRASS AND BRONZE WORKS, INC.**  
 2 Saddleback Cove / P.O. Box 1088  
 Travelers Rest, SC 29690

Model No.  
**EC-3102-TMV4V05**

Item No.

Travelers Rest, SC: 800-476-4103 • Simi Valley, CA: 800-423-0150 • Fax: 864-834-3518 • www.tsbrass.com



ADA Compliant



This Space for Architect/Engineer Approval

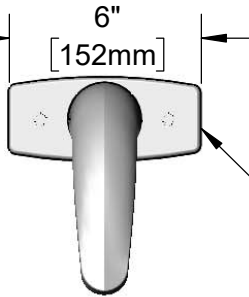
Job Name \_\_\_\_\_ Date \_\_\_\_\_

Model Specified \_\_\_\_\_ Quantity \_\_\_\_\_

Customer/Wholesaler \_\_\_\_\_

Contractor \_\_\_\_\_

Architect/Engineer \_\_\_\_\_



Polished Chrome Plated Deck Plate w/ Deck Gasket

Solid Cast Brass Spout w/ Polish Chrome Plated Finish and 0.5 GPM [1.9 L/min] VR Non-Aerated Spray Device

1/2" NPSM x 1/4" NPSM 18" [457mm] Flexible Stainless Steel Hose



Mounting Surface

24" [610mm] Sensor Cable

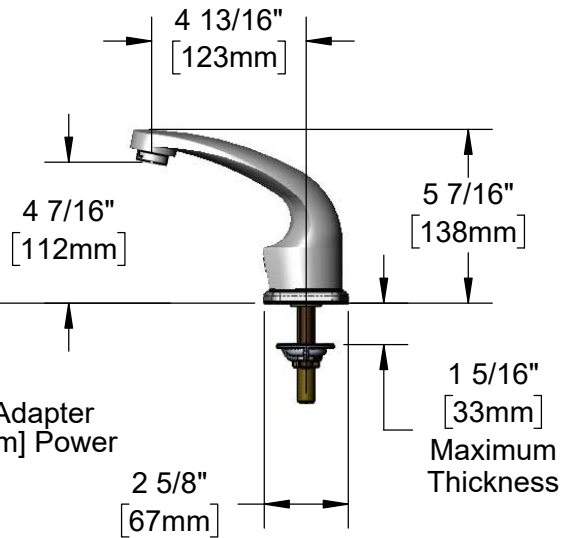
100-240 VAC Adapter w/ 72" [1830mm] Power Cord

Removable Strainer

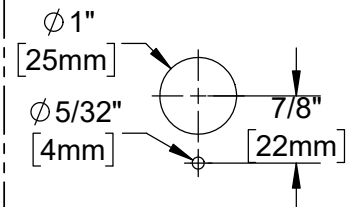
4" x 4 3/8" x 2 3/16" Deep [102mm x 111mm x 56mm] Water Resistant Control Module Box (Grey) w/ Internal Flow Control Setting Switches, AC or DC Operated w/ (4) AA Batteries. Hardwire Capable Using Terminals on Back

(2) 3/8" Compression x 1/2" NPSM 18" [457mm] Flexible Stainless Steel Supply Hoses

**EC-TMV**  
 ASSE 1070 Thermostatic Temperature Mixing Valve w/ Check Valves



**Mounting Hole Detail**



**Product Specifications:**

Chrome Plated Brass Electronic Faucet: Single Hole Deck Mount Spout w/ VR 0.5 GPM Non-Aerated Spray Device, AC/DC Control Module w/ Internal Flow Control Setting Switches, Thermostatic Temperature Control Mixing Valve w/ Check Valves, 18" Hot & Cold Supply Stop Flexible Connector Hoses & 4" c/c Deck Plate

**Product Compliance:**

ASME A112.18.1 / CSA B125.1  
 NSF 61 - Section 9  
 NSF 372 (Low Lead Content)  
 ANSI A117.1 (ADA)  
 UL 1951  
 ASSE 1070 (TMV)



# T&S BRASS AND BRONZE WORKS, INC.

2 Saddleback Cove / P.O. Box 1088  
Travelers Rest, SC 29690

Model No.

**EC-3102-TMV4V05**

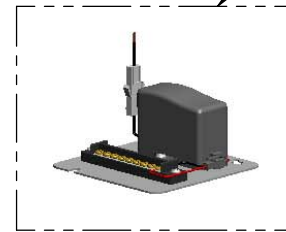
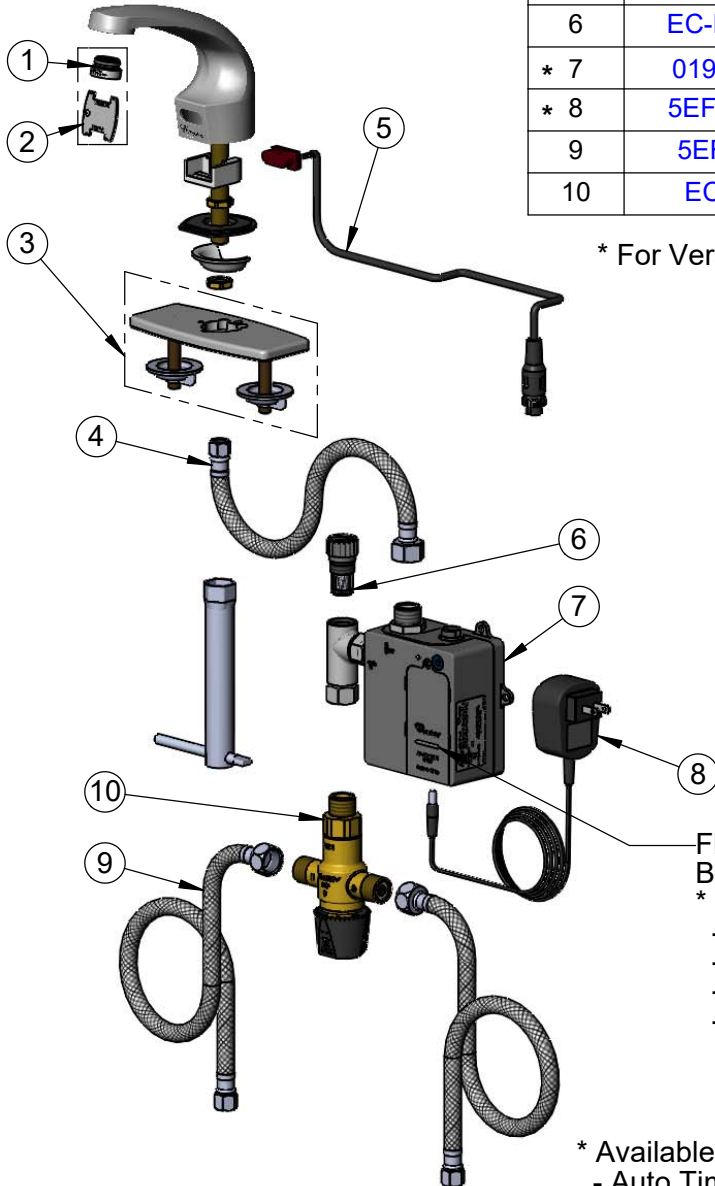
Item No.

Travelers Rest, SC: 800-476-4103 • Simi Valley, CA: 800-423-0150 • Fax: 864-834-3518 • www.tsbrass.com

ITEM NO.	SALES NO.	DESCRIPTION
1	B-0199-08-N05	VR 0.5 GPM Non-Aerated Spray Device, 13/16"-27 UN Male w/ Key
2	015425-45	Vandal Resistant Key
3	013433-40	4" Universal Deck Plate, Gasket & Mounting Hardware
4	016297-45	Inlet Hose, Faucet, 1/2" NPSM-F x 1/4" NPSM-F
* 5	019174-45	Sensor Cable Assembly
6	EC-FILTER	Replacement Filter
* 7	019944-45	ChekPoint Control Module w/ Filter Tee
* 8	5EF-0002C	AC Adapter - US Plug
9	5EF-0005	Supply Hose, 9/16-24 Female x 1/2" NPSM
10	EC-TMV	ASSE 1070 Thermostatic Mixing Valve

\* For Versions Prior to 2021, Consult with T&S Customer Service

A Maximum of (8) ChekPoint Faucets can be Hardwire Connected and Powered by **EC-HARDWIRE** ChekPoint Hardwire AC Transformer. (Sold Separately)



Flow Control Switches are Located Behind Battery Compartment Cover.

\* Switches are Set to DEFAULT Position:

- Auto Time Out = 15 Seconds
- Shut Off Delay = 1 Second
- Auto Flush = OFF
- Metering Mode = OFF

\* Available Water Flow Control Selections:

- Auto Time Out: 15 sec, 30 sec, 45 sec, 60 sec, 3 min, 20 min
- Shut Off Delay: 1 sec, 10 sec, 15 sec, 30 sec
- Auto Flush (30 Seconds After Every 12 Inactive Hours): ON or OFF
- Metering Mode: ON or OFF

**Product Specifications:**

Chrome Plated Brass Electronic Faucet: Single Hole Deck Mount Spout w/ VR 0.5 GPM Non-Aerated Spray Device, AC/DC Control Module w/ Internal Flow Control Setting Switches, Thermostatic Temperature Control Mixing Valve w/ Check Valves, 18" Hot & Cold Supply Stop Flexible Connector Hoses & 4" c/c Deck Plate

**Product Compliance:**

ASME A112.18.1 / CSA B125.1  
NSF 61 - Section 9  
NSF 372 (Low Lead Content)  
ANSI A117.1 (ADA)  
UL 1951  
ASSE 1070 (TMV)