



T&S BRASS AND BRONZE WORKS, INC.

2 Saddleback Cove / P.O. Box 1088
Travelers Rest, SC 29690

Model No.

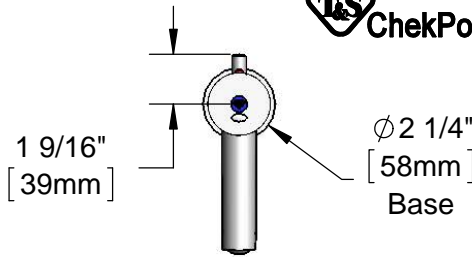
EC-3106-HG

Item No.

Travelers Rest, SC: 800-476-4103 • Simi Valley, CA: 800-423-0150 • Fax: 864-834-3518 • www.tsbrass.com



ADA Compliant
(Automatic Electronic Operation Only)



This Space for Architect/Engineer Approval

Job Name _____ Date _____

Model Specified _____ Quantity _____

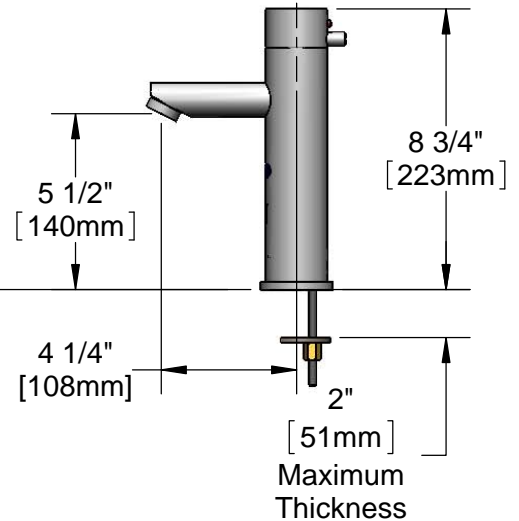
Customer/Wholesaler _____

Contractor _____

Architect/Engineer _____

Single Hole Deck Spout w/ 2.2 GPM [8.3 L/min] Vandal Resistant Aerator and Manual Bypass Operation

24" [610mm] Long Flexible Stainless Steel Connector Hoses. Bypass has 3/8" NPSM Swivel Module has 1/2" NPSM Swivel



Mounting Surface

Removable Strainer

Hydro-Generator Power Supply. No AA Batteries or AC Adapter Needed to Supply Power to Faucet

Temperature Mixing Valve w/ Integral Check Valves

24" [610mm] Sensor Cable

3 5/8" x 4 3/16" x 2" Deep [92mm x 106mm x 51mm] Water Resistant Control Module Box (Blue) w/ Internal Flow Control Setting Switches, AC or DC operated w/ (4) AA Batteries. Hardwire Capable Using Terminals on Back

Optional 100-240 VAC Adapter w/ 144" [3658mm] Long Double Power Cord. (Remove Rubber Plugs on Module and Cable to Connect (Included))

(2) 3/8" Compression x 1/2" NPSM 18" [457mm] Flexible Stainless Steel Supply Hose

Rough-In Requirement:
Ø 1 1/4" [32mm] Mounting Hole

Product Specifications:

Chrome Plated Brass Electronic Faucet: Single Hole Deck Spout w/ VR Aerator & Manual Bypass, AC/DC Control Module w/ Internal Flow Control Setting Switches, Temperature Control Mixing Valve, Hydro-Generator, 18" Flexible Supply Hoses

Product Compliance:

ASME A112.18.1 / CSA B125.1
NSF 61 - Section 9
NSF 372 (Low Lead Content)
ANSI A117.1 (ADA)
UL 1951



T&S BRASS AND BRONZE WORKS, INC.

2 Saddleback Cove / P.O. Box 1088
Travelers Rest, SC 29690

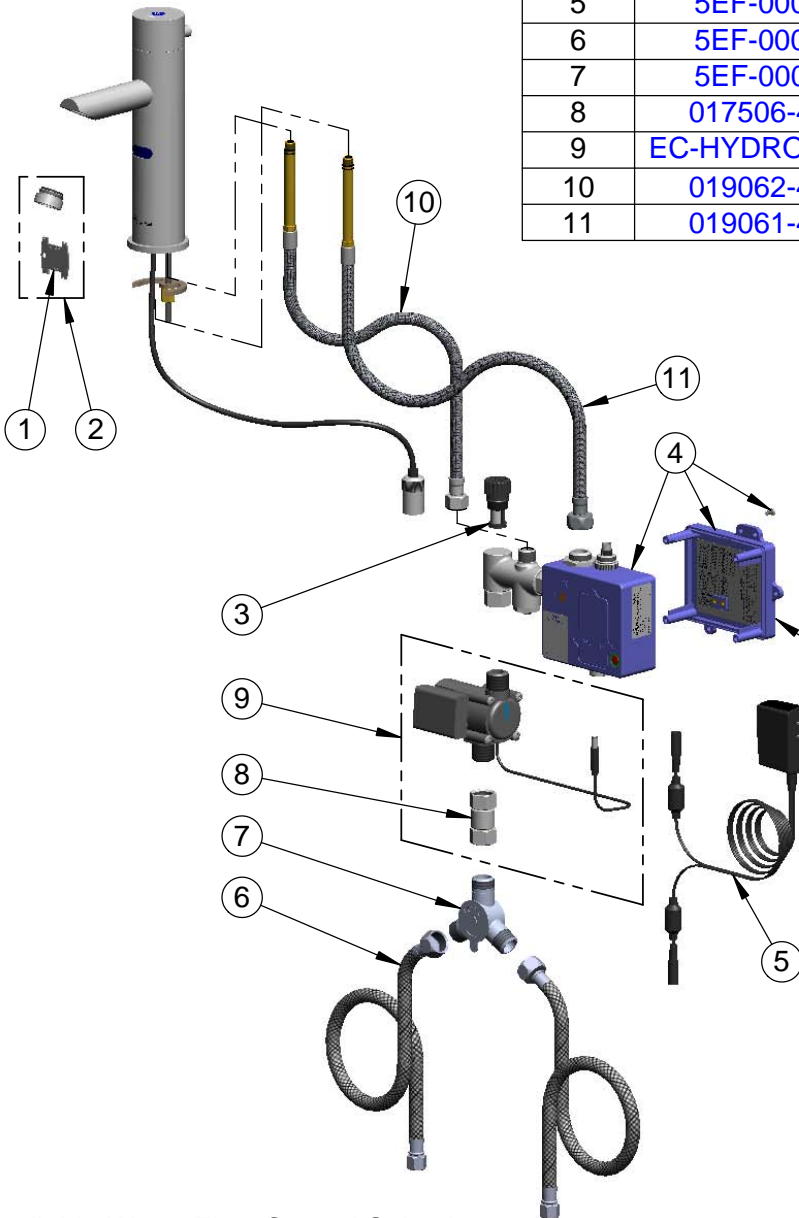
Model No.

EC-3106-HG

Item No.

Travelers Rest, SC: 800-476-4103 • Simi Valley, CA: 800-423-0150 • Fax: 864-834-3518 • www.tsbrass.com

ITEM NO.	SALES NUMBER	DESCRIPTION
1	015425-45	Vandal Resistant Key
2	B-0199-09	VR 2.2 GPM Aerator w/ Key
3	EC-FILTER	Replacement Filter
4	017493-45	ChekPoint Module (Blue) w/ Bypass Tee
5	5EF-0002	Double Gang, Plug-In A/C Transformer
6	5EF-0005	Supply Hose, 9/16-24 Female X 1/2" NPSM
7	5EF-0006	Manual Mixing Valve
8	017506-45	1/2" NPSM Swivel Coupling
9	EC-HYDROGEN	Hydro-Generator and Swivel Coupling
10	019062-45	Connector Hose, M10 Male x 3/8" NPSM
11	019061-45	Connector Hose, M10 Male x 1/2" NPSM



Label for Flow Control Switch Settings is Located on Inside of Back Cover.

Flow Control Switches are Located Inside Module Housing in Black Box Next to Battery Compartment.
*Switches are Set to DEFAULT Position:
- Auto Time Out = 15 Seconds
- Shut Off Delay = 1 Second
- Auto Flush = OFF

Remove (4) Screws and Back Cover to Access Switches.

***Available Water Flow Control Selections:**

- Auto Time Out: 15 sec, 30 sec, 45 sec, 60 sec, 3 min, 20 min
- Shut Off Delay: 1 sec, 10 sec, 15 sec, 30 sec
- Auto Flush (30 Seconds After Every 12 Inactive Hours): ON or OFF

Product Specifications:

Chrome Plated Brass Electronic Faucet: Single Hole Deck Spout w/ VR Aerator & Manual Bypass, AC/DC Control Module w/ Internal Flow Control Setting Switches, Temperature Control Mixing Valve, Hydro-Generator, 18" Flexible Supply Hoses

Product Compliance:

ASME A112.18.1 / CSA B125.1
NSF 61 - Section 9
NSF 372 (Low Lead Content)
ANSI A117.1 (ADA)
UL 1951