



T&S BRASS AND BRONZE WORKS, INC.
 2 Saddleback Cove / P.O. Box 1088
 Travelers Rest, SC 29690

Model No.

EC-3122-8DP

Item No.

Travelers Rest, SC: 800-476-4103 • Simi Valley, CA: 800-423-0150 • Fax: 864-834-3518 • www.tsbrass.com

This Space for Architect/Engineer Approval

Job Name _____ Date _____

Model Specified _____ Quantity _____

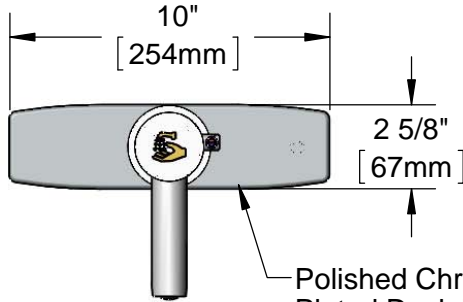
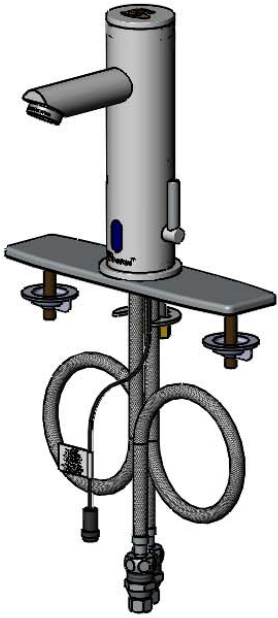
Customer/Wholesaler _____

Contractor _____

Architect/Engineer _____



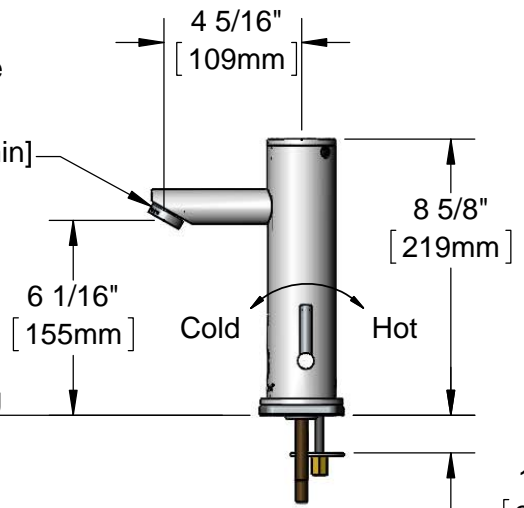
ADA Compliant



Polished Chrome Plated Deck Plate w/ Deck Gasket

2.2 GPM [8.3 L/min] Vandal Resistant Aerator

Temperature Mixing Handle

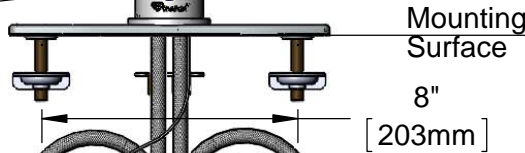


Cold Hot

1 1/4" [32mm] Maximum Thickness

DC Powered w/ 4 "AA" Batteries Inside Housing

Internal Above Deck Electronics w/ Flow Control Setting Switches



Mounting Surface

8" [203mm]

19" [486mm] Flexible Stainless Steel Supply Hoses w/ 1/2" NPSM Swivel Ends & Filter Washers

Check Valve Adapters w/ 3/8" Compression (9/16-24 UN) Inlets & Check Valves

Optional 100-240 VAC Adapter w/ 71" [1800mm] Power Cord

Rough-In Requirement:
 ϕ 1 1/2" [38mm] Center Mounting Hole
 (2) ϕ 1 1/8" [29mm] Side Mounting Holes

Product Specifications:
 Chrome Plated Brass Above Deck Electronics Faucet, Single Hole Deck Mount w/ 8" c/c Deck Plate, 2.2 GPM VR Aerator, Above Deck Temperature Control, Battery or AC Adapter Powered, Stainless Steel Flexible Supply Hoses & 3/8" Compression Inlets

Product Compliance:
 ASME A112.18.1 / CSA B125.1
 NSF 61 - Section 9
 NSF 372 (Low Lead Content)
 ANSI A117.1 (ADA)
 UL 1951



T&S BRASS AND BRONZE WORKS, INC.

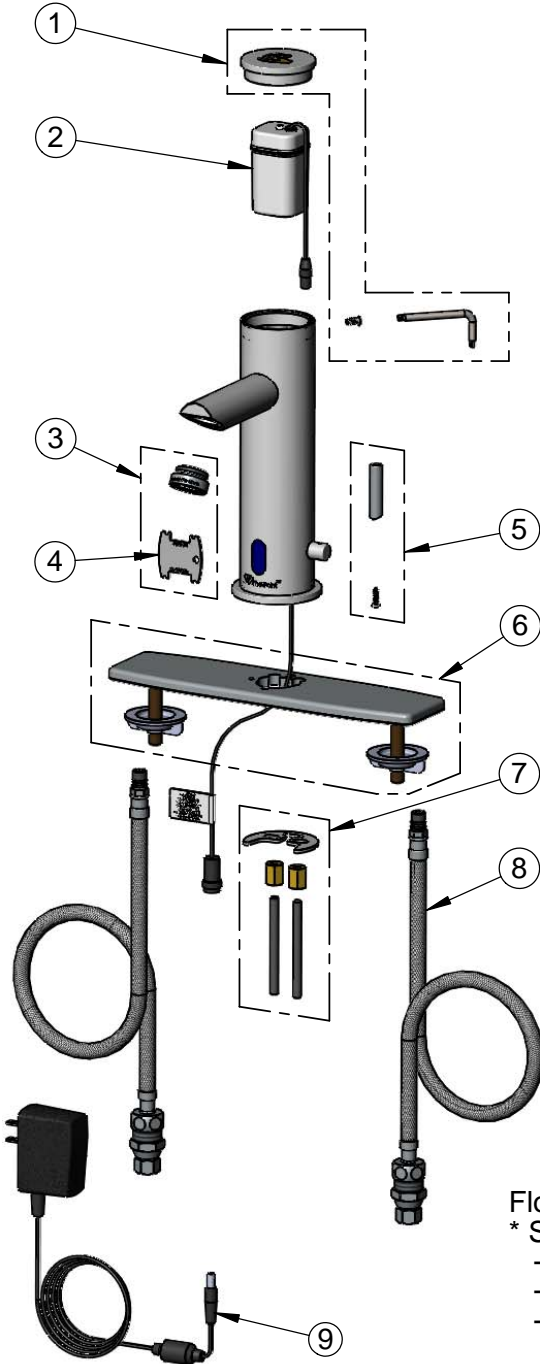
2 Saddleback Cove / P.O. Box 1088
Travelers Rest, SC 29690

Model No.

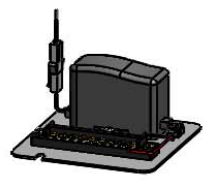
EC-3122-8DP

Item No.

Travelers Rest, SC: 800-476-4103 • Simi Valley, CA: 800-423-0150 • Fax: 864-834-3518 • www.tsbrass.com



ITEM NO.	SALES NO.	DESCRIPTION
1	018160-40	Cap, Screw & Wrench Kit
2	018227-45	Battery Holder
3	B-0199-09	VR 2.2 GPM Aerator, 15/16-27 UN Male w/ Key
4	015425-45	Vandal Resistant Key
5	018230-45	Lever Handle w/ Screw
6	013434-40	8" Universal Deck Plate, Gasket & Mounting Hardware
7	018233-45	Mounting Hardware Kit
8	018232-45	Flexible Stainless Steel Hose w/ Filter Washer & Check Valve Adapter Asm.
9	5EF-0002	AC-Transformer



A Maximum of (8) ChekPoint Faucets can be Powered by **EC-HARDWIRE** ChekPoint Hardwire ACTransformer when Connected Using **EC-ADEWIRE** Cables. (Both Sold Separately)

Flow Control Switches are Located Beneath the Cap.

* Switches are Set to DEFAULT Position:

- Auto Time Out = 15 Seconds
- Shut Off Delay = 1 Second
- Auto Flush = OFF

* Available Water Flow Control Selections:

- Auto Time Out: 15 sec, 30 sec, 45 sec, 60 sec, 3 min, 20 min
- Shut Off Delay: 1 sec, 10 sec, 15 sec, 30 sec
- Auto Flush (30 Seconds After Every 12 Inactive Hours): ON or OFF

Product Specifications:
 Chrome Plated Brass Above Deck Electronics Faucet, Single Hole Deck Mount w/ 8" c/c Deck Plate, 2.2 GPM VR Aerator, Above Deck Temperature Control, Battery or AC Adapter Powered, Stainless Steel Flexible Supply Hoses & 3/8" Compression Inlets

Product Compliance:
 ASME A112.18.1 / CSA B125.1
 NSF 61 - Section 9
 NSF 372 (Low Lead Content)
 ANSI A117.1 (ADA)
 UL 1951