



T&S BRASS AND BRONZE WORKS, INC.

2 Saddleback Cove / P.O. Box 1088
Travelers Rest, SC 29690

Model No.

EC-3132-HG

Item No.

Travelers Rest, SC: 800-476-4103 • Simi Valley, CA: 800-423-0150 • Fax: 864-834-3518 • www.tsbrass.com



ADA Compliant



Ø 2 1/2"
[64mm]

Cold
↑
↓
Hot



This Space for Architect/Engineer Approval

Job Name _____ Date _____

Model Specified _____ Quantity _____

Customer/Wholesaler _____

Contractor _____

Architect/Engineer _____

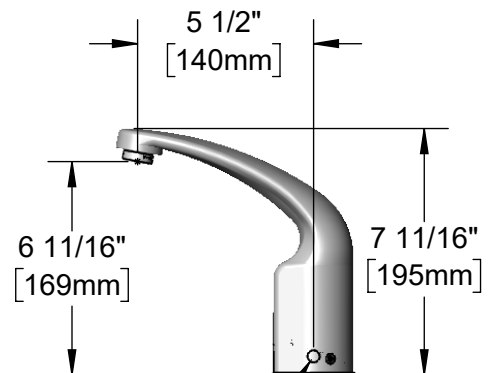
Internal Above Deck Electronics w/ Flow Control Setting Switches. Optional DC Power w/ 6 V Lithium Battery.

Removable Anti-Rotation Pin

Cast Spout w/ 2.2 GPM [8.3 L/min] Vandal Resistant Aerator.

Temperature Mixing Handle w/ Color Coded Index (Optional Plug Included to Replace Handle When Temperature is Preset)

Mounting Surface



13/16"
[21mm]

Connection to Power Supply

18" [457mm] Flexible Stainless Steel Supply Hoses

1 3/4"
[45mm]
Maximum Thickness

Shown w/ Optional Plug Installed When Water Temperature is Preset (Included)

1/2" NPSM Swivel Ends w/ Filter Washers

Hydro-Generator Power Supply. No Battery or AC Adapter Needed to Supply Power to Faucet

Optional 100-240 VAC Adapter w/ 72" [1830mm] Power Cord

Check Valve Adapters w/ 3/8" Compression (9/16-24 UN) Inlets

Rough-In Requirement:

Ø 1 1/4" [32mm] Mounting Hole

Ø 3/16" [5mm] Anti-Rotation Pin Hole (Optional)

Product Specifications:

Chrome Plated Brass Above Deck Electronics Faucet, Single Hole Deck Mount, Cast Spout, 2.2 GPM VR Aerator, Point-of-Use Temperature Control, Hydro-Generator Powered, Stainless Steel Flexible Supply Hoses & 3/8" Compression Inlets

Product Compliance:

ASME A112.18.1 / CSA B125.1
NSF 61 - Section 9
NSF 372 (Low Lead Content)
ANSI A117.1 (ADA)
UL 1951



T&S BRASS AND BRONZE WORKS, INC.

2 Saddleback Cove / P.O. Box 1088
Travelers Rest, SC 29690

Model No.

EC-3132-HG

Item No.

Travelers Rest, SC: 800-476-4103 • Simi Valley, CA: 800-423-0150 • Fax: 864-834-3518 • www.tsbrass.com

ITEM NO.	SALES NO.	DESCRIPTION
1	B-0199-08	VR 2.2 GPM Aerator, 13/16-27 UN Male w/ Key
2	020330-45	Solenoid Valve, M22 x 2 Male Thd
* 3	020417-45	Aux. Power Connector Cable
* 4	5EF-0002C	AC Adapter - US Plug
5	019087-45	6VDC Lithium Battery, CR-P2
* 6	020270-45	Lever Asm & Body Screw Kit w/ L-Key
7	5EF-0005	Supply Hose, 9/16-24 Female x 1/2" NPSM
8	EC-HYDROGEN	HydroGenerator Power Supply
9	017506-45	Swivel Coupling Body
10	019564-45	Check Valve Adapter, 3/8" Comp.
11	018544-45	SS Flex Hose w/ Check Valve Adapter
* 12	020426-40	Body Plug, Pre-Set Temperature

* For Versions Prior to 2024, Consult with T&S Customer Service

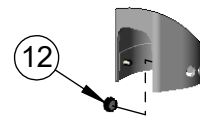
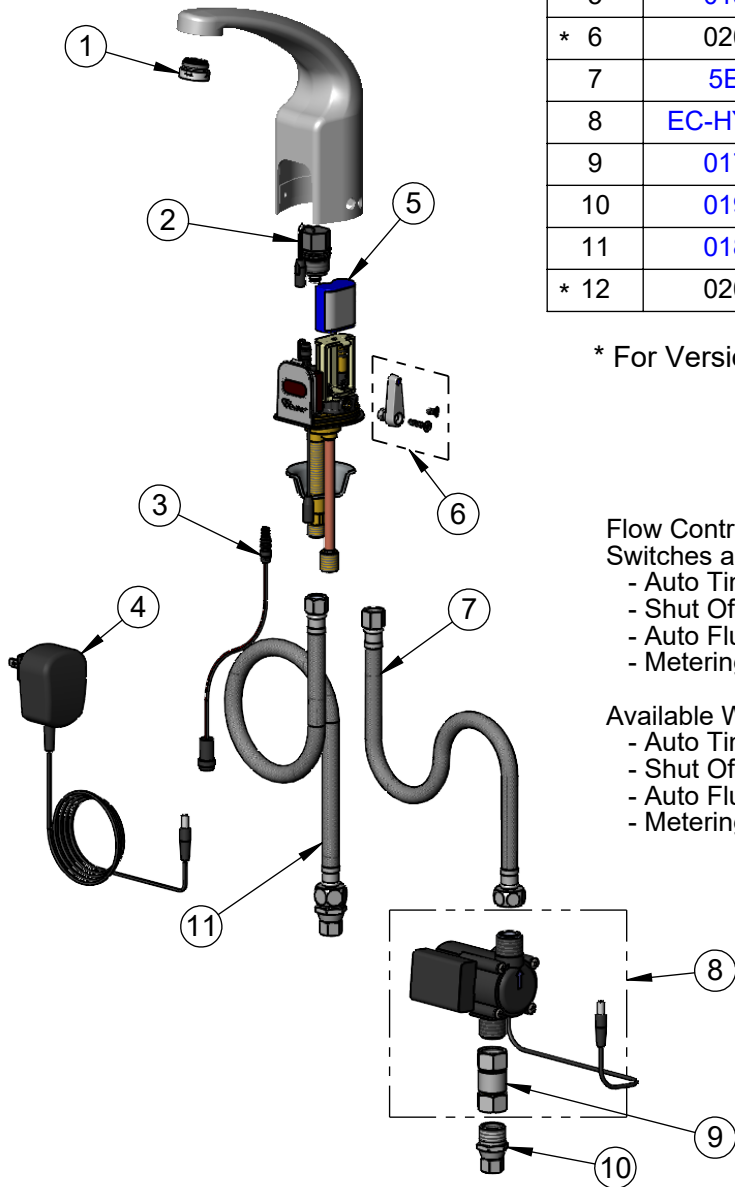
Flow Control Switches are Located Behind the Sensor.

Switches are set to DEFAULT position:

- Auto Time Out = 15 seconds
- Shut Off Delay = 1 second
- Auto Flush = OFF
- Metering Mode = OFF

Available Water Flow Control Selections:

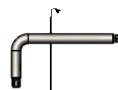
- Auto Time Out: 15 sec, 30 sec, 45 sec, 60 sec, 3 min, 20 min
- Shut Off Delay: 1 sec, 10 sec, 15 sec, 30 sec
- Auto Flush (30 Seconds After Every 12 Inactive Hours): ON or OFF
- Metering Mode = ON or OFF



Optional Plug When
Pre-setting Temperature
(Installs from Inside of Body)



[015425-45](#)
VR Aerator Key



[018543-45](#)
Torx T-20 VR L-Key



020760-45
Sensor Range
Set-Up Magnet

Product Specifications:

Chrome Plated Brass Above Deck Electronics Faucet, Single Hole Deck Mount, Cast Spout, 2.2 GPM VR Aerator, Point-of-Use Temperature Control, Hydro-Generator Powered, Stainless Steel Flexible Supply Hoses & 3/8" Compression Inlets

Product Compliance:

ASME A112.18.1 / CSA B125.1
NSF 61 - Section 9
NSF 372 (Low Lead Content)
ANSI A117.1 (ADA)
UL 1951