



T&S BRASS AND BRONZE WORKS, INC.
 2 Saddleback Cove / P.O. Box 1088
 Travelers Rest, SC 29690

Model No.
MPR-8WLN-12

Item No.

Travelers Rest, SC: 800-476-4103 • Simi Valley, CA: 800-423-0150 • Fax: 864-834-3518 • www.tsbrass.com

This Space for Architect/Engineer Approval

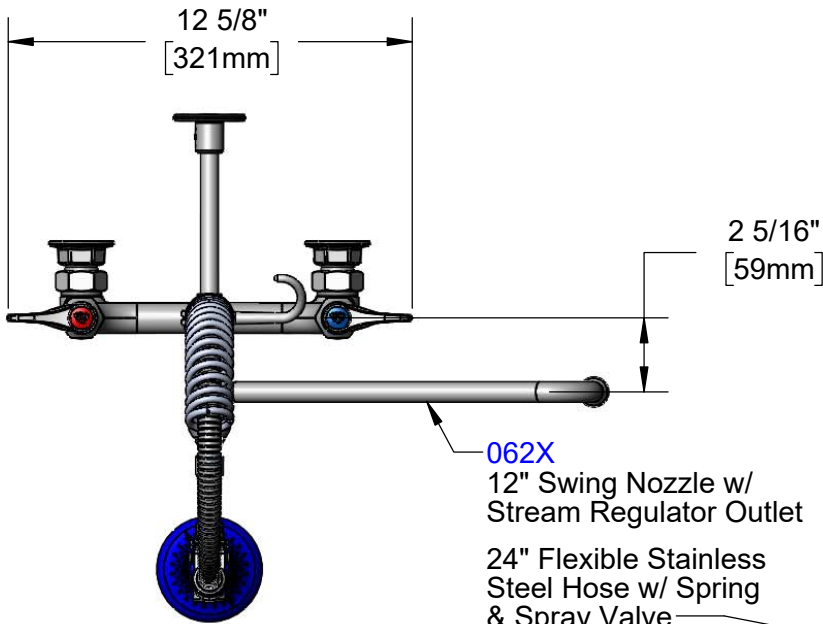
Job Name _____ Date _____

Model Specified _____ Quantity _____

Customer/Wholesaler _____

Contractor _____

Architect/Engineer _____



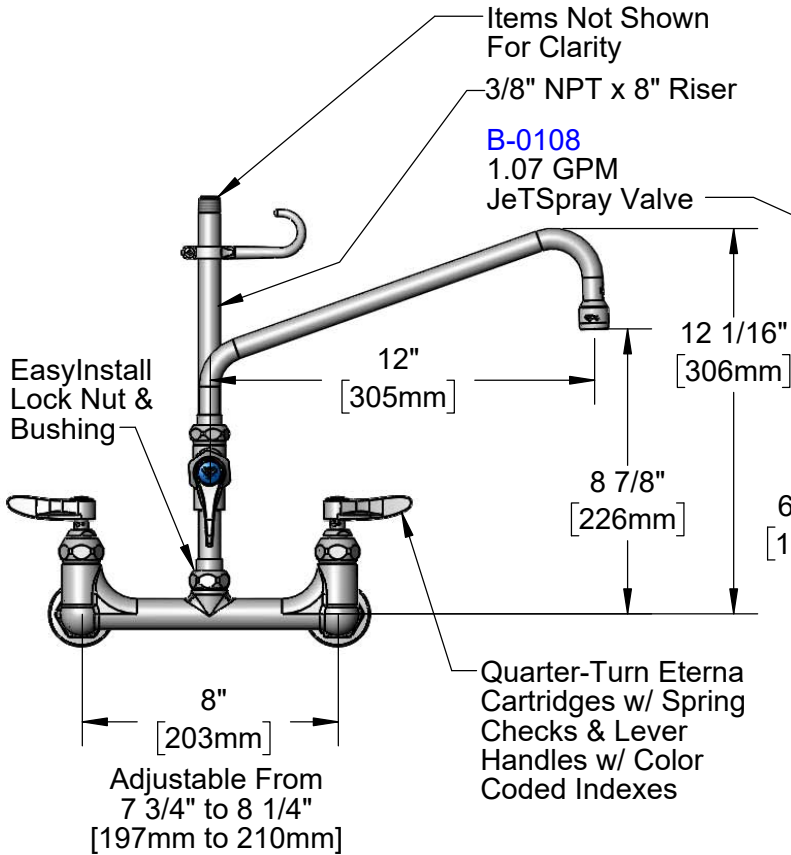
062X
 12" Swing Nozzle w/
 Stream Regulator Outlet

24" Flexible Stainless
 Steel Hose w/ Spring
 & Spray Valve

Items Not Shown
 For Clarity

3/8" NPT x 8" Riser

B-0108
 1.07 GPM
 JeTSpray Valve



EasyInstall
 Lock Nut &
 Bushing

Quarter-Turn Eterna
 Cartridges w/ Spring
 Checks & Lever
 Handles w/ Color
 Coded Indexes

Mounting Surface



22 1/8" [561mm]

Finger
 Hook

B-0109-01
 6" Wall
 Bracket

EasyInstall
 Add-On Faucet
 w/ Quarter-Turn
 Eterna Cartridge
 & Lever Handle

Product Specifications:

EasyInstall Pre-Rinse Unit: 8" Wall Mount Mixing Faucet, Quarter-Turn Eterna Cartridges w/ Spring Checks, Lever Handles, Add-On Faucet w/ 12" Swing Nozzle, Compact Spring, 24" Flexible Stainless Steel Hose, 1.07 GPM JeTSpray Valve, 6" Wall Bracket & 1/2" NPT Female Inlets

Product Compliance:

ASME A112.18.1 / CSA B125.1
 NSF 61 - Section 9
 NSF 372 (Low Lead Content)
 2019 DOE PRSV - Class II
 For Commercial Use Only



T&S BRASS AND BRONZE WORKS, INC.

2 Saddleback Cove / P.O. Box 1088
Travelers Rest, SC 29690

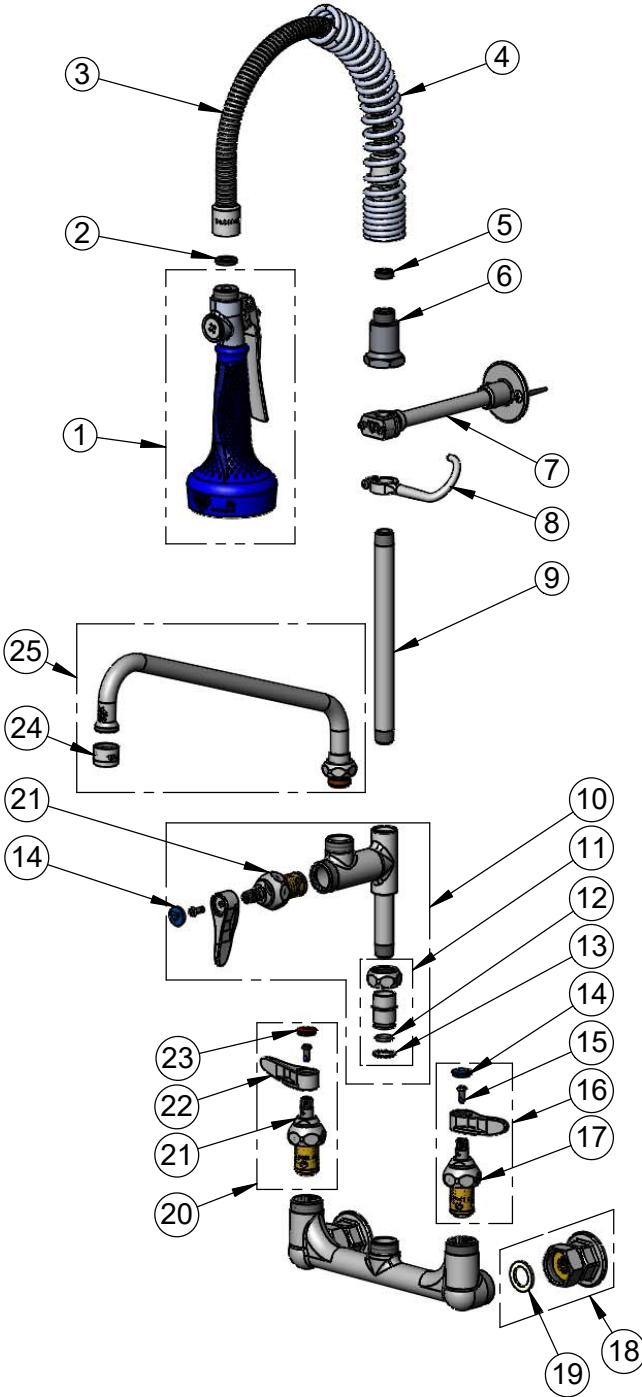
Model No.

MPR-8WLN-12

Item No.

Travelers Rest, SC: 800-476-4103 • Simi Valley, CA: 800-423-0150 • Fax: 864-834-3518 • www.tsbrass.com

| ITEM NO. | SALES NO. | DESCRIPTION |
|----------|-------------|---|
| 1 | B-0108 | 1.07 GPM JeTSpray Valve w/ Ergo-Grip |
| 2 | 001014-45 | Washer, B-0100 Hose Barrel |
| 3 | B-0024-H2A | 24" Flexible Stainless Steel Hose, Less Handle |
| 4 | 016795-45 | Compact Spring |
| 5 | 010476-45 | #27 Washer |
| 6 | 000821-40 | Spring Body |
| 7 | B-0109-01 | 6" Wall Bracket |
| 8 | 004R | Finger Hook |
| 9 | 078X | 3/8" NPT x 8" Riser |
| 10 | B-0155-LNEZ | EasyInstall Add-On Faucet, Less Nozzle |
| 11 | EZ-K | EasyInstall Kit: Nut, Bushing, O-Ring & Lock Washer |
| 12 | 001065-45 | O-Ring |
| 13 | 014200-45 | Star Washer, Anti-Rotation |
| 14 | 018506-19NS | Blue Button Index, Press-in |
| 15 | 000925-45 | Lab Handle Screw |
| 16 | 002711-40NS | Quarter-Turn Eterna Cartridge, LTC w/ Spring Check, Handle, Index & Screw |
| 17 | 012442-40NS | Quarter-Turn Eterna Cartridge, LTC w/ Spring Check |
| 18 | 00AA | 1/2" NPT Female Eccentric Flange |
| 19 | 001019-45 | Coupling Nut Washer |
| 20 | 002712-40NS | Quarter-Turn Eterna Cartridge, RTC w/ Spring Check, Handle, Index & Screw |
| 21 | 012443-40NS | Quarter-Turn Eterna Cartridge w/ Spring Check, RTC |
| 22 | 001638-45NS | Lever Handle (New Style) |
| 23 | 001193-19NS | Red Button Index, Press-in |
| 24 | B-PT | Full Flow Stream Regulator, 55/64-27 |
| 25 | 062X | 12" Swing Nozzle w/ Stream Regulator Outlet |



Product Specifications:

EasyInstall Pre-Rinse Unit: 8" Wall Mount Mixing Faucet, Quarter-Turn Eterna Cartridges w/ Spring Checks, Lever Handles, Add-On Faucet w/ 12" Swing Nozzle, Compact Spring, 24" Flexible Stainless Steel Hose, 1.07 GPM JeTSpray Valve, 6" Wall Bracket & 1/2" NPT Female Inlets

Product Compliance:

ASME A112.18.1 / CSA B125.1
NSF 61 - Section 9
NSF 372 (Low Lead Content)
2019 DOE PRSV - Class II
For Commercial Use Only