



**T&S BRASS AND BRONZE WORKS, INC.**  
 2 Saddleback Cove / P.O. Box 1088  
 Travelers Rest, SC 29690

Model No.  
**PB-2347-00PB**

Item No.

Travelers Rest, SC: 800-476-4103 • Simi Valley, CA: 800-423-0150 • Fax: 864-834-3518 • www.tsbrass.com

This Space for Architect/Engineer Approval

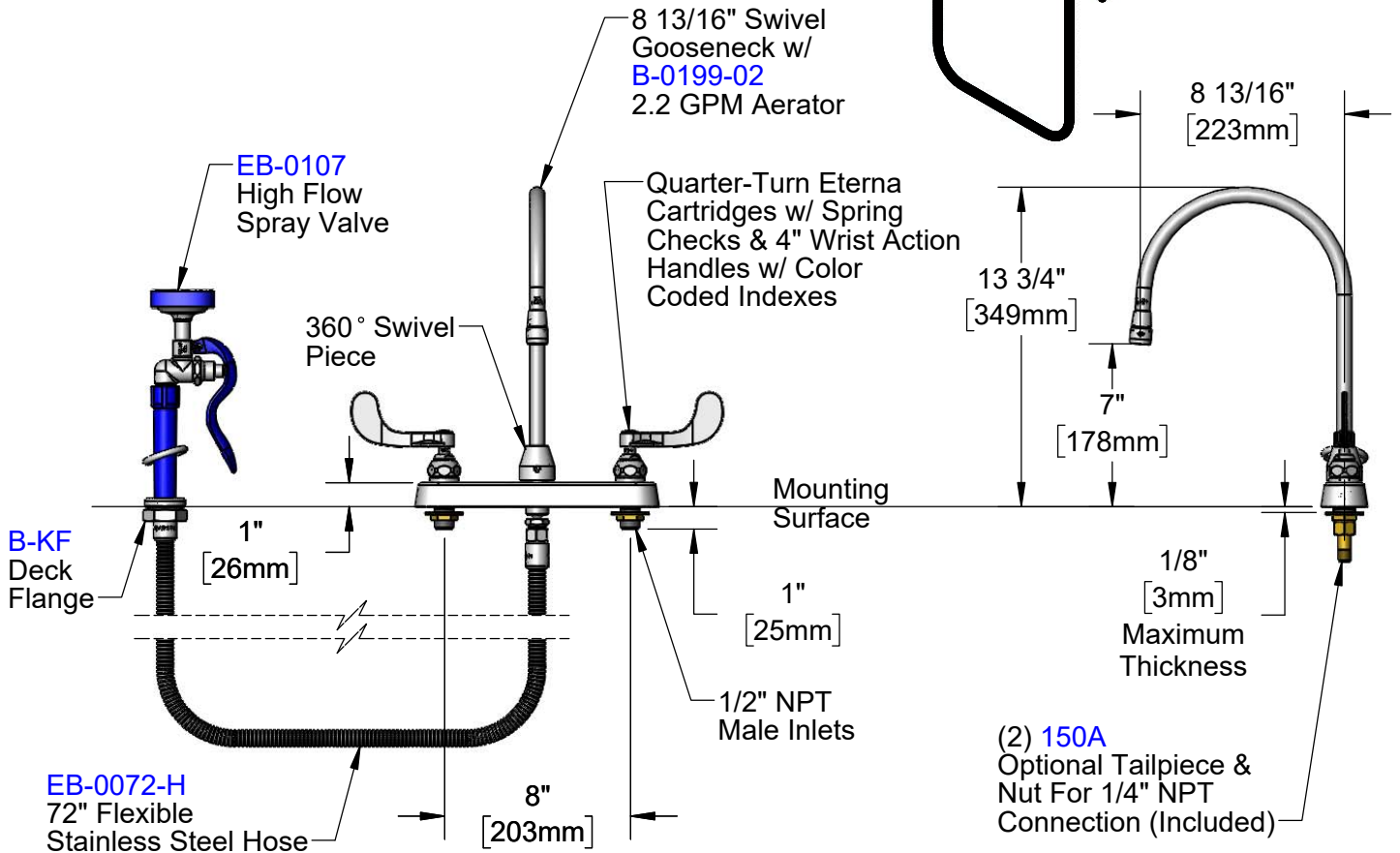
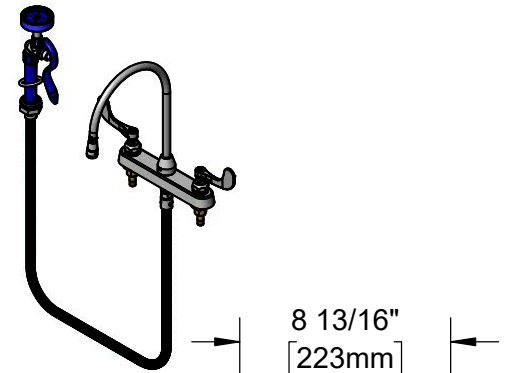
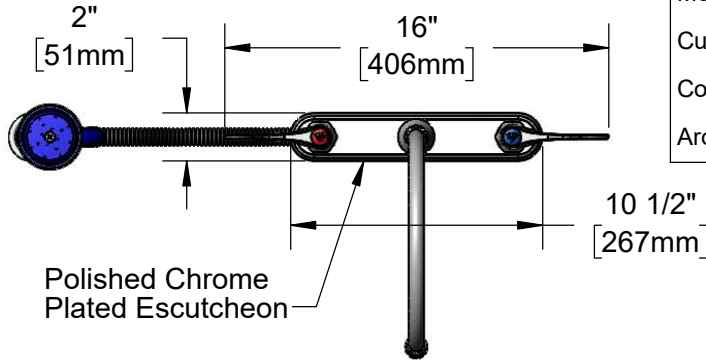
Job Name \_\_\_\_\_ Date \_\_\_\_\_

Model Specified \_\_\_\_\_ Quantity \_\_\_\_\_

Customer/Wholesaler \_\_\_\_\_

Contractor \_\_\_\_\_

Architect/Engineer \_\_\_\_\_



(2) 150A  
 Optional Tailpiece & Nut For 1/4" NPT Connection (Included)

**Rough-In Requirement:**  
 Faucet: (3) Ø 1" [25mm] Mounting Holes  
 Deck Flange: (1) Ø 1 9/16" Mounting Hole

**Product Specifications:**  
 8" Deck Mount Mixing Faucet, Quarter-Turn Eterna Cartridges w/ Spring Checks, 4" Wrist Action Handles, 8 13/16" Swivel Gooseneck, 2.2 GPM Aerator, High Flow Spray Valve, 72" Flexible Stainless Steel Hose, Deck Mount Flange & 1/2" NPT Male Inlets

**Product Compliance:**  
 ASME A112.18.1 / CSA B125.1  
 NSF 61 Exempt (Non-Potable)  
 2019 DOE PRSV Non-Compliant

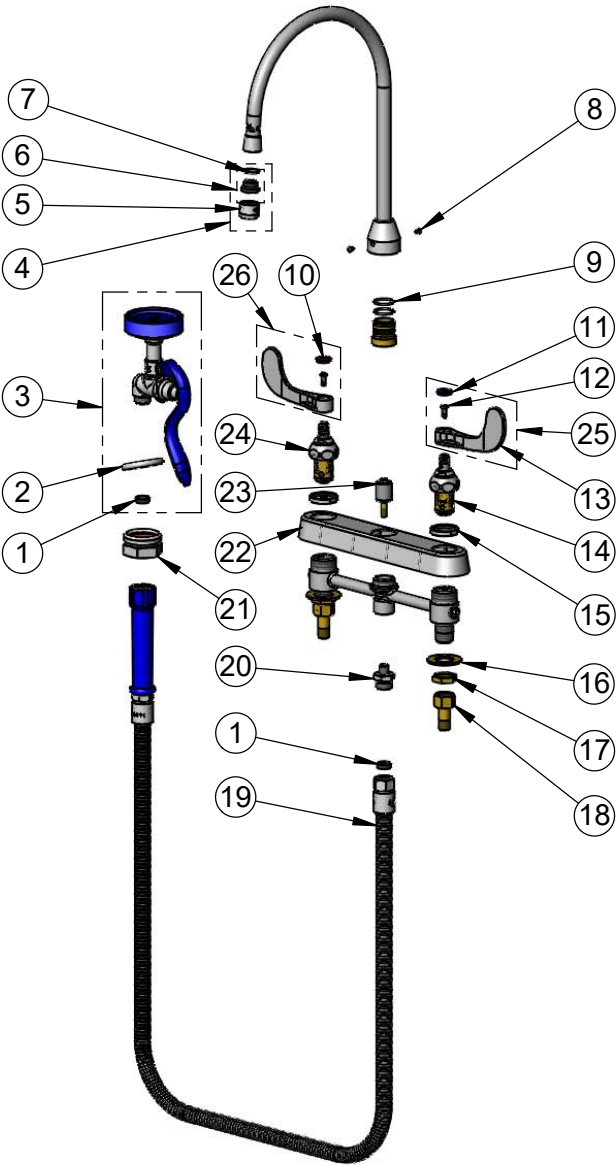


**T&S BRASS AND BRONZE WORKS, INC.**  
 2 Saddleback Cove / P.O. Box 1088  
 Travelers Rest, SC 29690

Model No.  
**PB-2347-00PB**

Item No.

Travelers Rest, SC: 800-476-4103 • Simi Valley, CA: 800-423-0150 • Fax: 864-834-3518 • www.tsbrass.com



ITEM NO.	SALES NO.	DESCRIPTION
1	010476-45	#27 Washer
2	000907-45	Spray Valve Hold Down Ring
3	EB-0107	High Flow Spray Valve (Blue)
4	B-0199-02	2.2 GPM Aerator, 3/8" NPSM Male
5	B-0199-01	2.2 GPM Aerator, 55/64-27 UN Female
6	044A	3/8" to Aerator Adapter
7	001043-45	Washer
8	001486-45	Diverter Cover Screw
9	006562-45	O-Ring
10	001193-19NS	Red Button Index, Press-in
11	018506-19NS	Blue Button Index, Press-in
12	000925-45	Lab Handle Screw
13	B-WH4-NS	Wrist Action Handle - New Style
14	012442-40NS	Quarter-Turn New Style Eterna Cartridge w/ Spring Check, LTC
15	019376-40	Escutcheon Lock Nut
16	000999-45	Brass Lock Washer
17	002954-45	Shank Lock Nut
18	150A	1/4" NPT Tailpiece & Nut
19	EB-0072-H	72" Flexible Stainless Steel Hose w/ Blue Grip Handle
20	000542-25	1/8" NPT x 3/4-14 Male Adapter
21	B-KF	Protective Flange For Deck Mounted Spray Hoses
22	019375-40	B-1120 Eterna Workboard Escutcheon
23	002338-45	Valve Diverter Piston
24	012443-40NS	Quarter-Turn New Style Eterna Cartridge w/ Spring Check, RTC
25	B-WH4C-NS	Wrist Action Handle, Blue Index & Screw
26	B-WH4H-NS	Wrist Action Handle, Red Index & Screw

**Product Specifications:**

8" Deck Mount Mixing Faucet, Quarter-Turn Eterna Cartridges w/ Spring Checks, 4" Wrist Action Handles, 8 13/16" Swivel Gooseneck, 2.2 GPM Aerator, High Flow Spray Valve, 72" Flexible Stainless Steel Hose, Deck Mount Flange & 1/2" NPT Male Inlets

**Product Compliance:**

ASME A112.18.1 / CSA B125.1  
 NSF 61 Exempt (Non-Potable)  
 2019 DOE PRSV Non-Compliant