



T&S BRASS AND BRONZE WORKS, INC.
 2 Saddleback Cove / P.O. Box 1088
 Travelers Rest, SC 29690

Model No.

PG-8WOAN-06

Item No.

Travelers Rest, SC: 800-476-4103 • Simi Valley, CA: 800-423-0150 • Fax: 864-834-3518 • www.tsbrass.com

This Space for Architect/Engineer Approval

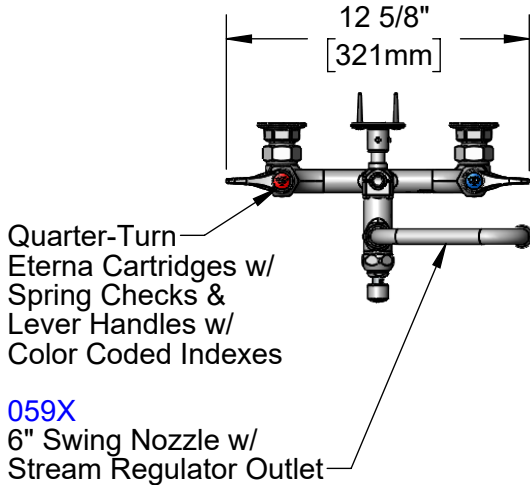
Job Name _____ Date _____

Model Specified _____ Quantity _____

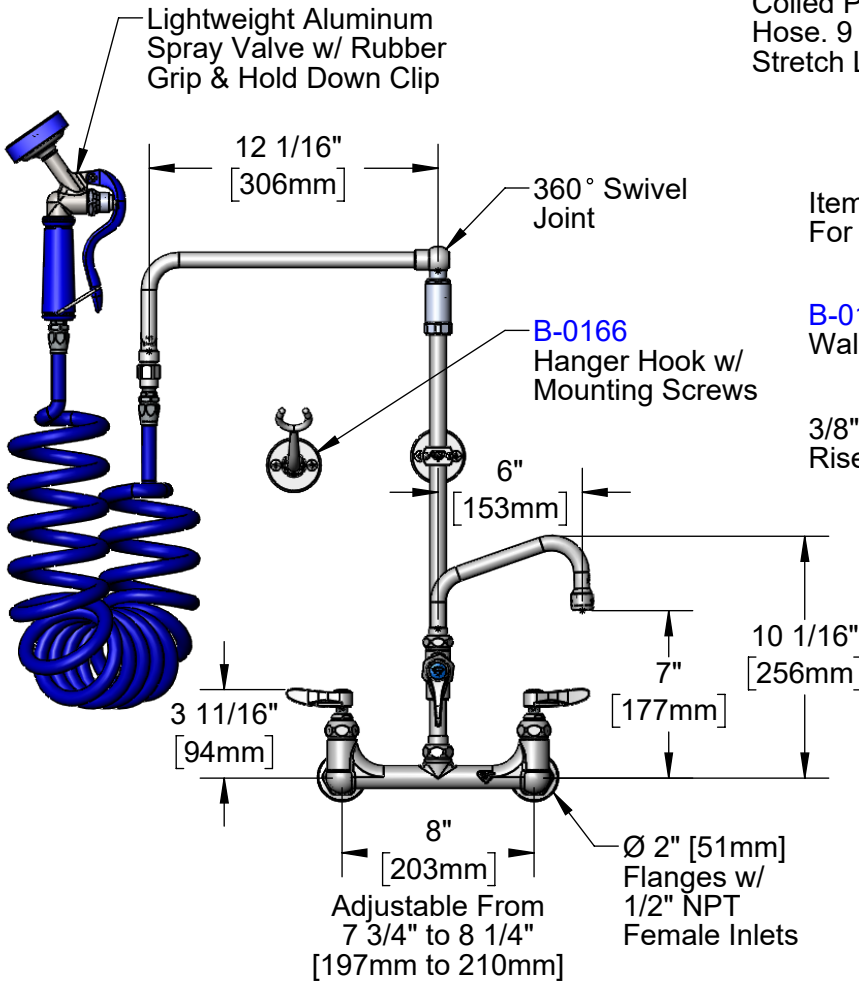
Customer/Wholesaler _____

Contractor _____

Architect/Engineer _____



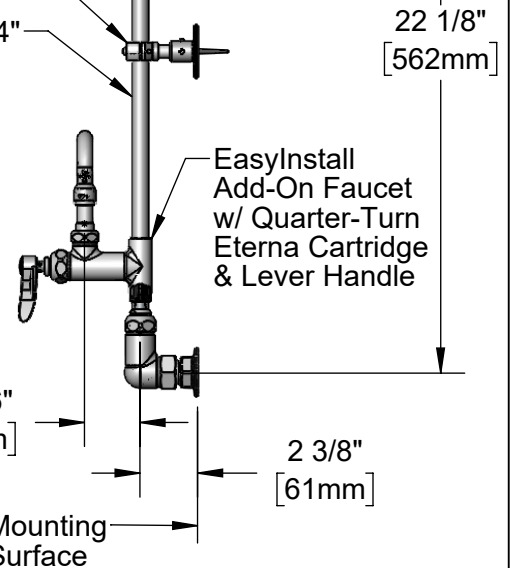
Coiled Polyurethane Hose. 9 Ft. Maximum Stretch Length.



Items Not Shown For Clarity

B-0109-07 Wall Bracket

3/8" NPT x 14" Riser



Product Specifications:

Pet Grooming Station: 8" Wall Mount Mixing Faucet, Quarter-Turn Eterna Cartridges w/ Spring Checks, Lever Handles, Add-On Faucet, 6" Swing Nozzle w/ Stream Regulator Outlet, Overhead Swivel Arm, 9' Coiled Hose w/ Angled Aluminum Spray Valve, Wall Bracket, Hanger Hook & 1/2" NPT Female Inlets

Product Compliance:

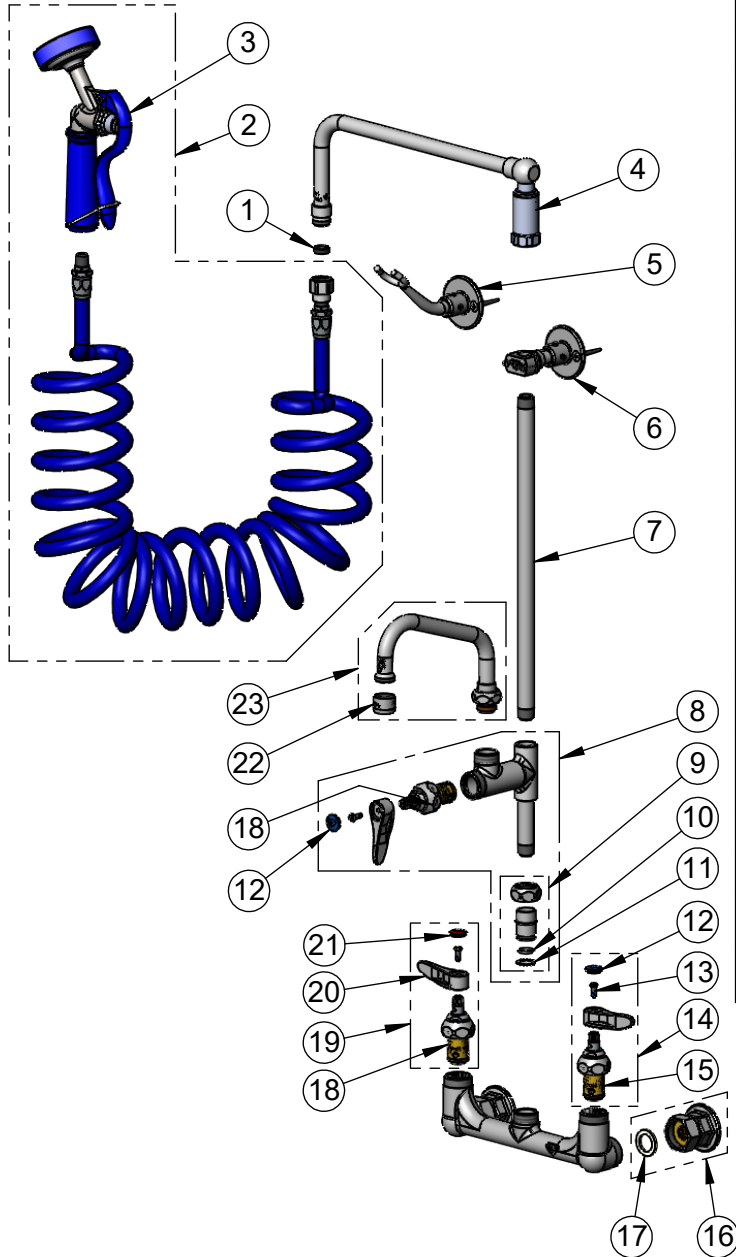
ASME A112.18.1 / CSA B125.1
 NSF 61 Exempt (Non-Potable)



T&S BRASS AND BRONZE WORKS, INC.
 2 Saddleback Cove / P.O. Box 1088
 Travelers Rest, SC 29690

Model No.
PG-8WOAN-06
 Item No.

Travelers Rest, SC: 800-476-4103 • Simi Valley, CA: 800-423-0150 • Fax: 864-834-3518 • www.tsbrass.com



ITEM NO.	SALES NO.	DESCRIPTION
1	010476-45	#27 Washer
2	PG-35AV-CH05	Lightweight Aluminum Angled Spray Valve w/ Coiled Polyurethane Hose
3	PG-35AV	Lightweight Aluminum Angled Spray Valve
4	002882-40	12" Swivel "L" Tube
5	B-0166	Wall Hook
6	B-0109-07	Wall Bracket
7	000367-40	3/8" NPT x 14" Riser
8	B-0155-LNEZ	EasyInstall Add-On Faucet
9	EZ-K	EasyInstall Kit
10	001065-45	O-Ring
11	014200-45	Star Washer, Anti-Rotation
12	018506-19NS	Blue Button Index, Press-in
13	000925-45	Lab Handle Screw
14	002711-40NS	Quarter-Turn Eterna Cartridge w/ Spring Check, Handle, Blue Index & Screw, LTC
15	012442-40NS	Quarter-Turn Eterna Cartridge w/ Spring Check, LTC
16	00AA	1/2" NPT Female Eccentric Flange
17	001019-45	Coupling Nut Washer
18	012443-40NS	Quarter-Turn Eterna Cartridge w/ Spring Check, RTC
19	002712-40NS	Quarter-Turn Eterna Cartridge w/ Spring Check, Handle, Red Index & Screw, RTC
20	001638-45NS	Lever Handle (New Style)
21	001193-19NS	Red Button Index, Press-in
22	B-PT	Full Flow Stream Regulator Outlet, 55/64-27
23	059X	6" Swing Nozzle w/ Stream Regulator Outlet

Product Specifications:
 Pet Grooming Station: 8" Wall Mount Mixing Faucet, Quarter-Turn Eterna Cartridges w/ Spring Checks, Lever Handles, Add-On Faucet, 6" Swing Nozzle w/ Stream Regulator Outlet, Overhead Swivel Arm, 9' Coiled Hose w/ Angled Aluminum Spray Valve, Wall Bracket, Hanger Hook & 1/2" NPT Female Inlets

Product Compliance:
 ASME A112.18.1 / CSA B125.1
 NSF 61 Exempt (Non-Potable)