

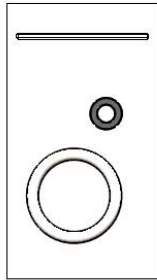
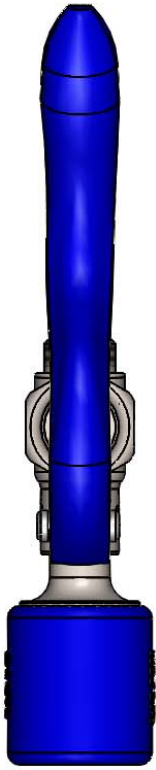


T&S BRASS AND BRONZE WORKS, INC.
 2 Saddleback Cove / P.O. Box 1088
 Travelers Rest, SC 29690

Model No.
S-0107-C

Item No.

Travelers Rest, SC: 800-476-4103 • Simi Valley, CA: 800-423-0150 • Fax: 864-834-3518 • www.tsbrass.com



Hose Washer &
 Hold Down Ring
 (Included)

This Space for Architect/Engineer Approval

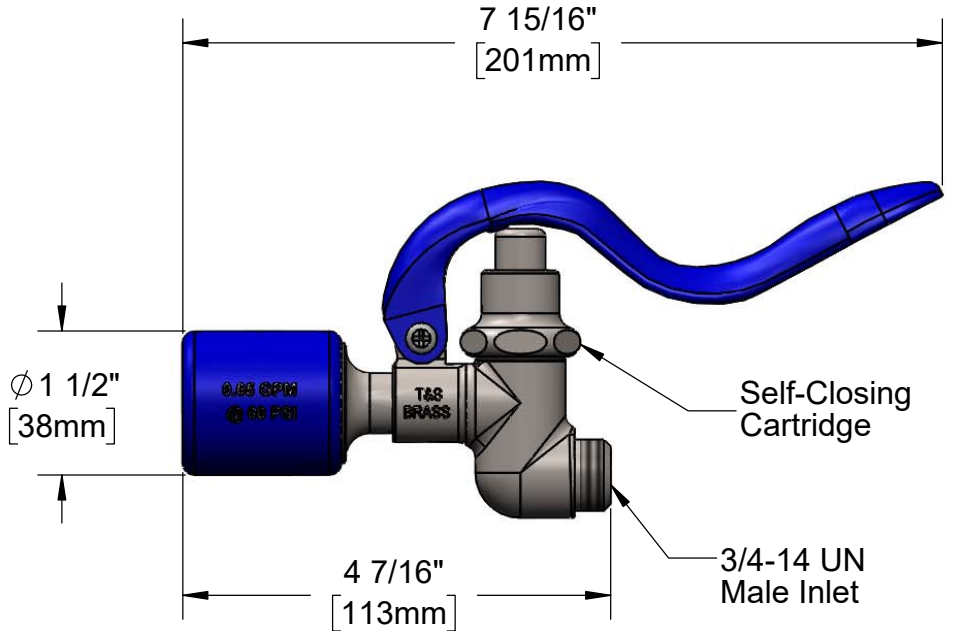
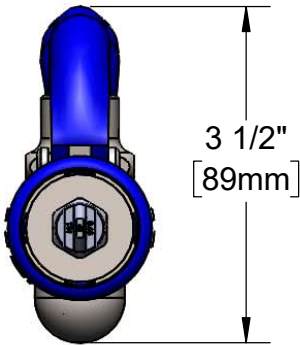
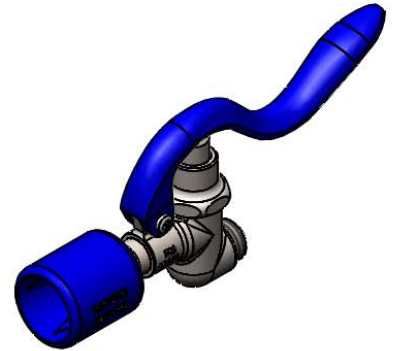
Job Name _____ Date _____

Model Specified _____ Quantity _____

Customer/Wholesaler _____

Contractor _____

Architect/Engineer _____



Flow Rate: 0.65 GPM (2.46 L/min) @ 60 psi
 Spray Force: 4.4 Ozf (125 Gramf) @ 60 psi

Product Specifications:
 Blue Self-Closing Stainless Steel Pre-Rinse Spray Valve,
 0.65 GPM Spray Nozzle

Product Compliance:
 ASME A112.18.1 / CSA B125.1
 NSF 61 - Section 9
 NSF 372 (Low Lead Content)
 2019 DOE PRSV - Class I



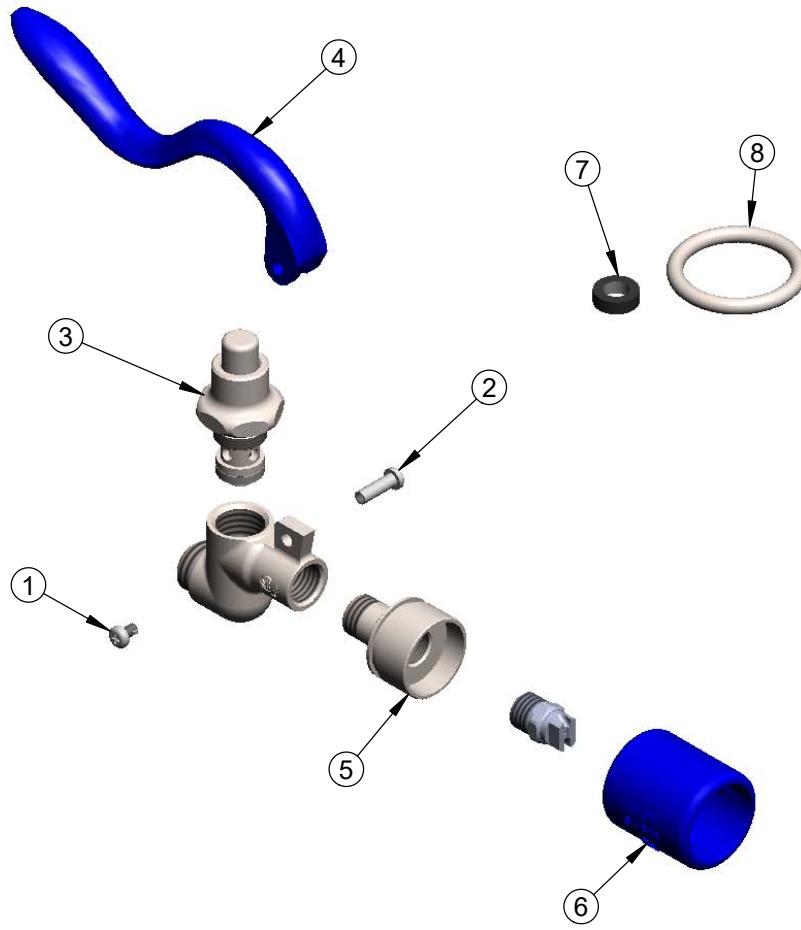
T&S BRASS AND BRONZE WORKS, INC.
 2 Saddleback Cove / P.O. Box 1088
 Travelers Rest, SC 29690

Model No.
S-0107-C

Item No.

Travelers Rest, SC: 800-476-4103 • Simi Valley, CA: 800-423-0150 • Fax: 864-834-3518 • www.tsbrass.com

ITEM NO.	SALES NO.	DESCRIPTION
1	003199-45	Spray Valve Handle Screw
2	003198-45	Spray Valve Handle Nut
3	S010594-30	Bonnet, SS Spray Valve
4	011454-45	Spray Valve Handle - Blue
5	S003128-30NS	Short Low-Flow PRSV Nozzle
6	011499-45NS	Short Blue Shield Low Flow 0.65 GPM
7	010476-45	#27 Washer
8	S000907-30	Spray Valve Hold Down Ring



Product Specifications:
 Blue Self-Closing Stainless Steel Pre-Rinse Spray Valve,
 0.65 GPM Spray Nozzle

Product Compliance:
 ASME A112.18.1 / CSA B125.1
 NSF 61 - Section 9
 NSF 372 (Low Lead Content)
 2019 DOE PRSV - Class I