



T&S BRASS AND BRONZE WORKS, INC.

2 Saddleback Cove / P.O. Box 1088
Travelers Rest, SC 29690

Model No.

S-0123-A12-B

Item No.

Travelers Rest, SC: 800-476-4103 • Simi Valley, CA: 800-423-0150 • Fax: 864-834-3518 • www.tsbrass.com

EVERSTEEL

This Space for Architect/Engineer Approval

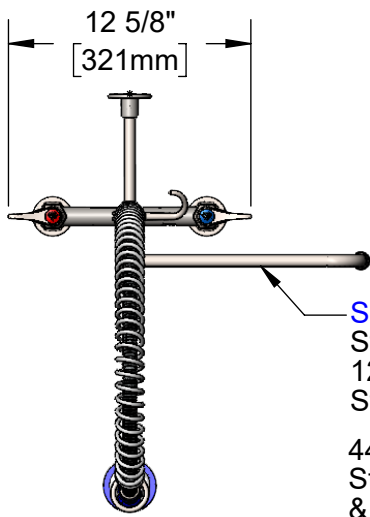
Job Name _____ Date _____

Model Specified _____ Quantity _____

Customer/Wholesaler _____

Contractor _____

Architect/Engineer _____



S062X
Stainless Steel
12" Swing Nozzle w/
Stream Regulator Outlet

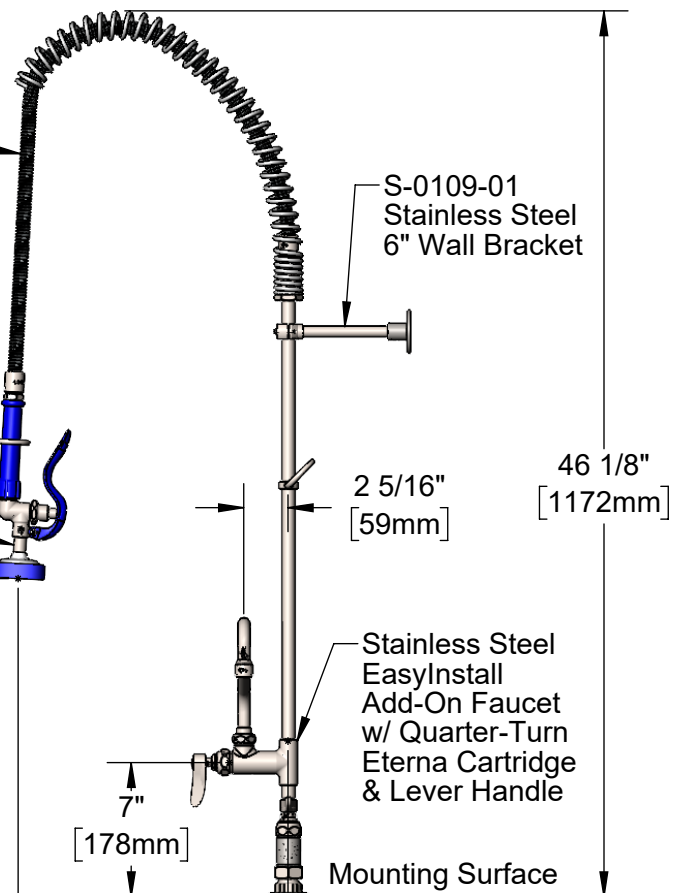
44" Flexible Stainless
Steel Hose w/ Spring
& Spray Valve

Items Not Shown
For Clarity

Stainless Steel
3/8" NPT x 24" Riser

Stainless Steel
Finger Hook

S-0107
Stainless Steel
1.15 GPM
Spray Valve



S-0109-01
Stainless Steel
6" Wall Bracket

2 5/16"
[59mm]

46 1/8"
[1172mm]

Stainless Steel
EasyInstall
Add-On Faucet
w/ Quarter-Turn
Eterna Cartridge
& Lever Handle

Mounting Surface

14 1/16"
[357mm]

Stainless Steel
Ø 2" [51mm]
Flanges w/
1/2" NPT
Female Inlets

EasyInstall
Lock Nut &
Bushing

12"
[305mm]

14 9/16"
[369mm]

11 7/16"
[290mm]

16 9/16"
[421mm]

8"
[203mm]

Adjustable From
7 3/4" to 8 1/4"
[197mm to 210mm]

Stainless Steel Quarter-Turn
Eterna Cartridges w/ Spring
Checks & Lever Handles w/
Color Coded Indexes

Product Specifications:

Stainless Steel Pre-Rinse Unit: EasyInstall 8" Deck Mount Mixing Faucet, Quarter-Turn Eterna Cartridges w/ Spring Checks, Lever Handles, Add-On Faucet, 12" Swing Nozzle, 44" Flexible Stainless Steel Hose, 1.15 GPM Spray Valve, 6" Wall Bracket & 1/2" NPT Female Inlets

Product Compliance:

ASME A112.18.1 / CSA B125.1
NSF 61 - Section 9
NSF 372 (Low Lead Content)
2019 DOE PRSV - Class II



T&S BRASS AND BRONZE WORKS, INC.

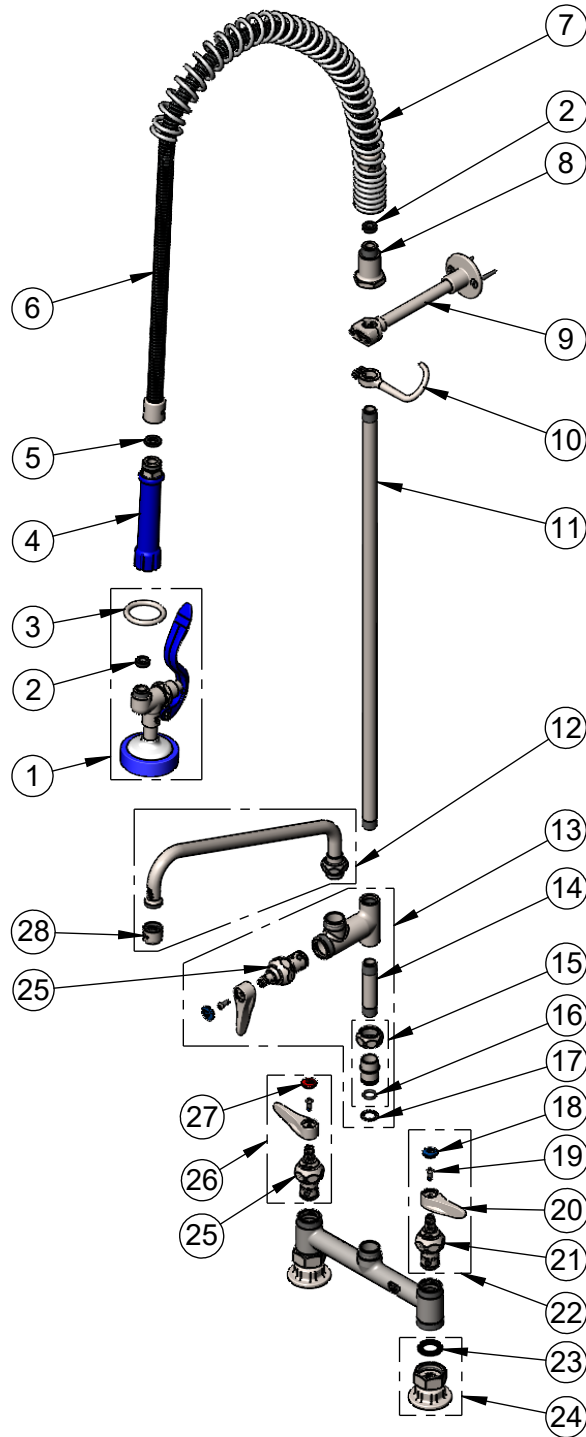
2 Saddleback Cove / P.O. Box 1088
Travelers Rest, SC 29690

Model No.

S-0123-A12-B

Item No.

Travelers Rest, SC: 800-476-4103 • Simi Valley, CA: 800-423-0150 • Fax: 864-834-3518 • www.tsbrass.com



ITEM NO.	SALES NO.	DESCRIPTION
1	S-0107	Stainless Steel 1.15 GPM Spray Valve (Blue)
2	010476-45	#27 Washer
3	S000907-30	Spray Valve Hold Down Ring, Stainless Steel
4	S011482-30	Blue Grip Handle
5	001014-45	Washer, Hose Barrel
6	S-0044-H2A	44" Flexible Stainless Steel Hose, Less Handle
7	S000888-30	EasyInstall Overhead Spring
8	S000821-30	Spring Body
9	S-0109-01	Stainless Steel 6" Wall Bracket
10	S004R	Finger Hook
11	S000372-30	Stainless Steel 3/8" NPT x 24" Riser
12	S062X	Stainless Steel 12" Swing Nozzle
13	S-0155-LNEZ	Stainless Steel Add-On Faucet w/ Quarter-Turn Eterna Cartridge, RTC & Lever Handle, Less Nozzle
14	S000358-30	Nipple, 3/8" NPT x 3"
15	SEZ-K	Stainless Steel EasyInstall Kit: Nut, Bushing, O-Ring & Lock Washer
16	001065-45	O-Ring
17	014200-45	Star Washer, Anti-Rotation
18	018506-19NS	Blue Button Index, Press-in
19	000925-45	Lab Handle Screw
20	S001638-30NS	Stainless Steel Lever Handle (New Style)
21	S012442-30NS	SS Quarter-Turn Eterna Cartridge w/ Spring Check, LTC
22	S002711-30NS	SS Quarter-Turn Eterna Cartridge w/ Spring Check, Handle, Blue Index & Screw, LTC
23	010569-45	Washer, Inlet Flange Coupling (UK)
24	S00AA	Stainless Steel 1/2" NPT Female Eccentric Flange
25	S012443-30NS	SS Quarter-Turn Eterna Cartridge w/ Spring Check, RTC
26	S002712-30NS	Stainless Steel Full Turn Eterna Cartridge w/ Spring Check, Handle, Red Index & Screw, RTC
27	001193-19NS	Red Button Index, Press-in
28	S-PT	Stainless Steel Full Flow Stream Regulator, 55/64-27

Product Specifications:

Stainless Steel Pre-Rinse Unit: EasyInstall 8" Deck Mount Mixing Faucet, Quarter-Turn Eterna Cartridges w/ Spring Checks, Lever Handles, Add-On Faucet, 12" Swing Nozzle, 44" Flexible Stainless Steel Hose, 1.15 GPM Spray Valve, 6" Wall Bracket & 1/2" NPT Female Inlets

Product Compliance:

ASME A112.18.1 / CSA B125.1
NSF 61 - Section 9
NSF 372 (Low Lead Content)
2019 DOE PRSV - Class II