



T&S BRASS AND BRONZE WORKS, INC.

2 Saddleback Cove / P.O. Box 1088
Travelers Rest, SC 29690

Model No.

S-0133-CR-B

Item No.

Travelers Rest, SC: 800-476-4103 • Simi Valley, CA: 800-423-0150 • Fax: 864-834-3518 • www.tsbrass.com

EVERSTEEL™

This Space for Architect/Engineer Approval

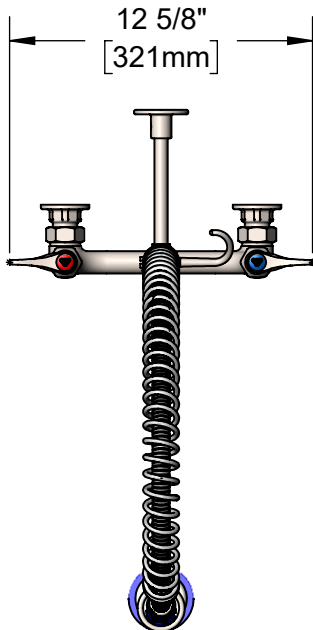
Job Name _____ Date _____

Model Specified _____ Quantity _____

Customer/Wholesaler _____

Contractor _____

Architect/Engineer _____



44" Flexible Stainless Steel Hose w/ Spring & Spray Valve

Items Not Shown For Clarity

Stainless Steel Finger Hook

Stainless Steel 3/8" NPT x 18" Riser

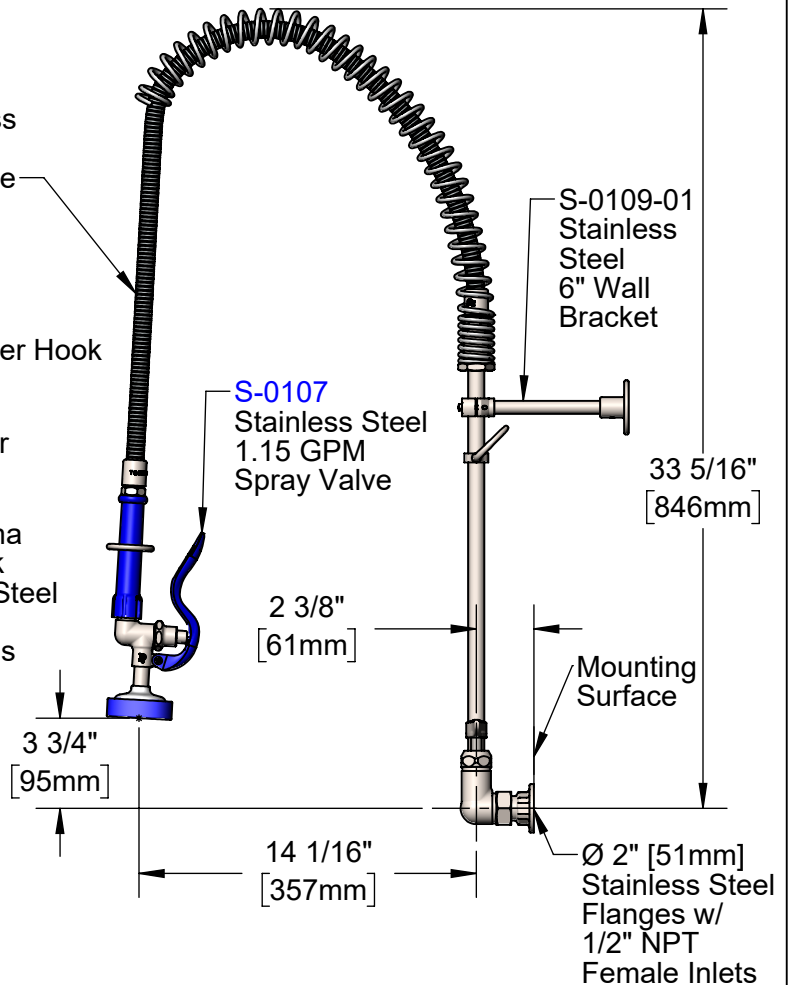
Stainless Steel Quarter-Turn Cerama Cartridges w/ Check Valves & Stainless Steel Lever Handles w/ Color Coded Indexes

EasyInstall Lock Nut & Bushing

3 11/16" [93mm]

8" [203mm]

Adjustable From 7 3/4" to 8 1/4" [197mm to 210mm]



S-0109-01 Stainless Steel 6" Wall Bracket

S-0107 Stainless Steel 1.15 GPM Spray Valve

2 3/8" [61mm]

33 5/16" [846mm]

Mounting Surface

3 3/4" [95mm]

14 1/16" [357mm]

Ø 2" [51mm] Stainless Steel Flanges w/ 1/2" NPT Female Inlets

Product Specifications:

Pre-Rinse Unit: EasyInstall 8" Stainless Steel Wall Mount Mixing Faucet, Quarter-Turn Cerama Cartridges w/ Check Valves, Lever Handles, 44" Flexible Stainless Steel Hose, 1.15 GPM Spray Valve, 6" Wall Bracket & 1/2" NPT Female Inlets

Product Compliance:

ASME A112.18.1 / CSA B125.1
NSF 61 - Section 9
NSF 372 (Low Lead Content)
2019 DOE PRSV - Class II



T&S BRASS AND BRONZE WORKS, INC.

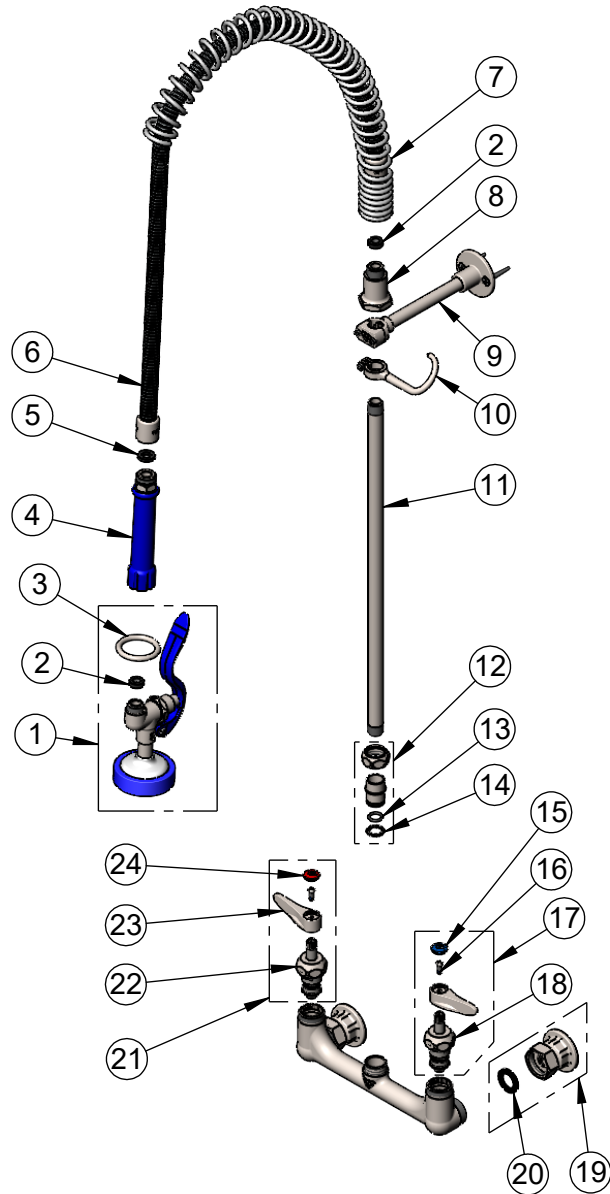
2 Saddleback Cove / P.O. Box 1088
Travelers Rest, SC 29690

Model No.

S-0133-CR-B

Item No.

Travelers Rest, SC: 800-476-4103 • Simi Valley, CA: 800-423-0150 • Fax: 864-834-3518 • www.tsbrass.com



ITEM NO.	SALES NO.	DESCRIPTION
1	S-0107	Stainless Steel 1.15 GPM Spray Valve (Blue)
2	010476-45	#27 Washer
3	S000907-30	SS Spray Valve Hold Down Ring
4	S020795-30	Stainless Steel Grip Handle (Blue)
5	001014-45	Washer, Hose Barrel
6	S-0044-H2A	44" Flexible Stainless Steel Hose, Less Handle
7	S000888-30	SS EasyInstall Overhead Spring
8	S000821-30	Stainless Steel Spring Body
9	S-0109-01	Stainless Steel 6" Wall Bracket
10	S004R	Stainless Steel Finger Hook
11	S000369-30	Stainless Steel 3/8" NPT x 18" Riser
12	SEZ-K	Stainless Steel EasyInstall Kit: Nut, Bushing, O-Ring & Lock Washer
13	001065-45	O-Ring
14	014200-45	Star Washer, Anti-Rotation
15	018506-19NS	Blue Button Index, Press-in
16	000925-45	Lab Handle Screw
17	S012447-30NS	Stainless Steel Quarter-Turn Cerama Cartridge w/ Check valve, Handle, Blue Index & Screw, LTC
18	S012395-30NS	Stainless Steel Quarter-Turn Cerama Cartridge w/ New Style Bonnet, Check Valve, LTC
19	S00AA	SS 1/2" NPT Female Eccentric Flange
20	010569-45	Washer, Inlet Flange Coupling (UK)
21	S012446-30NS	Stainless Steel Quarter-Turn Cerama Cartridge w/ Check Valve, Handle, Red Index & Screw, RTC
22	S012394-30NS	Stainless Steel Quarter-Turn Cerama Cartridge w/ New Style Bonnet, Check Valve, RTC
23	S001638-30NS	Stainless Steel Lever Handle (New Style)
24	001193-19NS	Red Button Index, Press-in

Product Specifications:

Pre-Rinse Unit: EasyInstall 8" Stainless Steel Wall Mount Mixing Faucet, Quarter-Turn Cerama Cartridges w/ Check Valves, Lever Handles, 44" Flexible Stainless Steel Hose, 1.15 GPM Spray Valve, 6" Wall Bracket & 1/2" NPT Female Inlets

Product Compliance:

ASME A112.18.1 / CSA B125.1
NSF 61 - Section 9
NSF 372 (Low Lead Content)
2019 DOE PRSV - Class II