



T&S BRASS AND BRONZE WORKS, INC.
 2 Saddleback Cove / P.O. Box 1088
 Travelers Rest, SC 29690

Model No.
S-0210-LN

Item No.

Travelers Rest, SC: 800-476-4103 • Simi Valley, CA: 800-423-0150 • Fax: 864-834-3518 • www.tsbrass.com

This Space for Architect/Engineer Approval

Job Name _____ Date _____

Model Specified _____ Quantity _____

Customer/Wholesaler _____

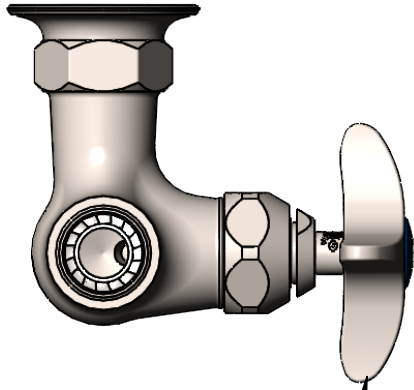
Contractor _____

Architect/Engineer _____

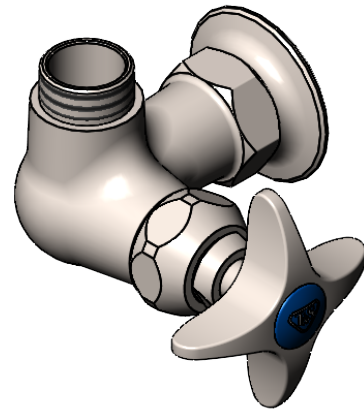
EVERSTEEL



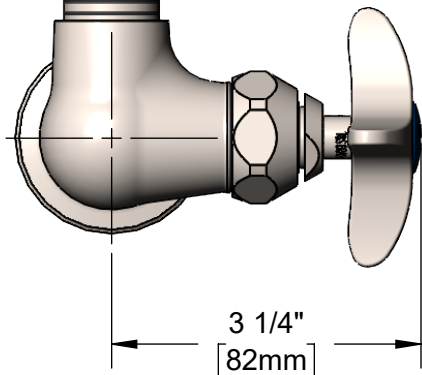
ADA Compliant



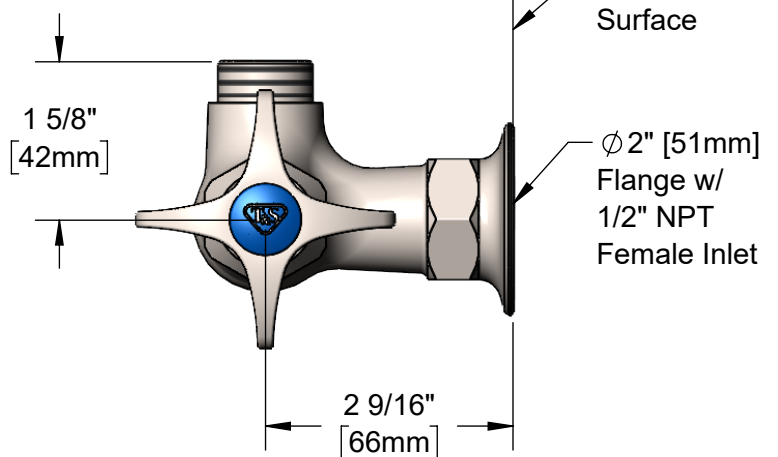
Stainless Steel Quarter-Turn Eterna Cartridge w/ Spring Check & 4-Arm Handle w/ Blue Color Coded Index



Swivel Outlet Accepts Standard Stainless Steel T&S Swing Nozzles. Converts to Rigid w/ 014200-45 Lock Washer (Included)



3 1/4"
[82mm]



1 5/8"
[42mm]

2 9/16"
[66mm]

Mounting Surface

Ø 2" [51mm] Flange w/ 1/2" NPT Female Inlet

Product Specifications:

Stainless Steel Single Hole Single Temperature Wall Mount Faucet, Stainless Steel Quarter-Turn Eterna Cartridge w/ Spring Check, Stainless Steel 4-Arm Handle & 1/2" NPT Female Inlet, Less Nozzle

Product Compliance:

ASME A112.18.1 / CSA B125.1
 NSF 61 - Section 9
 NSF 372 (Low Lead Content)
 ANSI A117.1 (ADA)



T&S BRASS AND BRONZE WORKS, INC.

2 Saddleback Cove / P.O. Box 1088
Travelers Rest, SC 29690

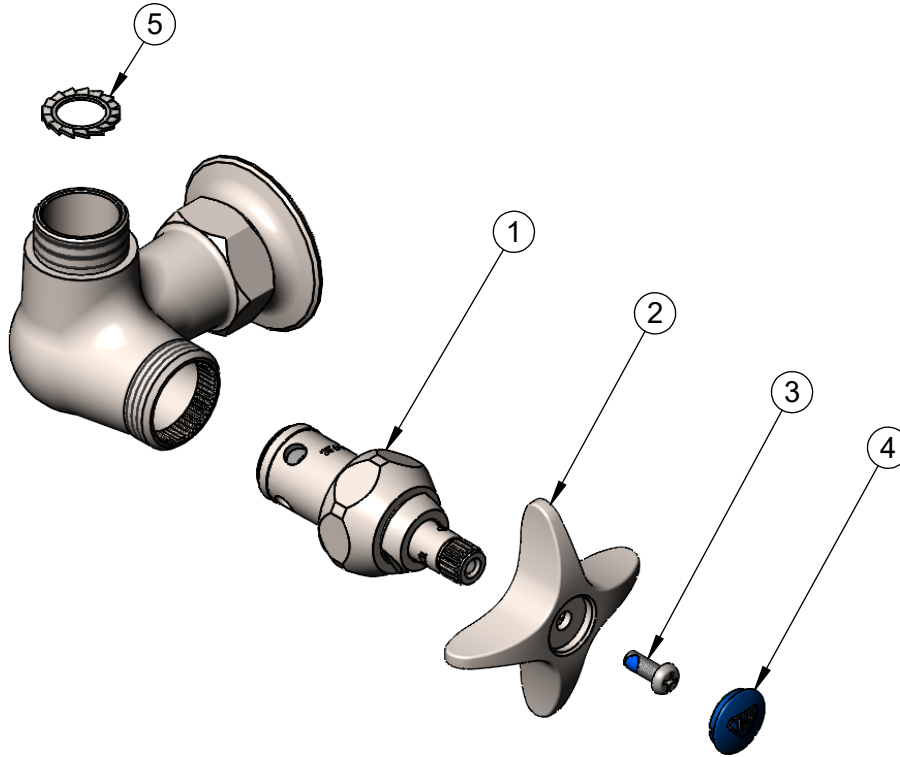
Model No.

S-0210-LN

Item No.

Travelers Rest, SC: 800-476-4103 • Simi Valley, CA: 800-423-0150 • Fax: 864-834-3518 • www.tsbrass.com

ITEM NO.	SALES NO.	DESCRIPTION
1	S012443-40NS	Stainless Steel Quarter-Turn Eterna Cartridge w/ Spring Check, RTC
2	S002521-30NS	4-Arm Handle (New Style), Stainless Steel
3	000925-45	Lab Handle Screw
4	018506-19NS	Blue Button Index, Press-in
5	014200-45	Star Washer, Anti-Rotation



Product Specifications:

Stainless Steel Single Hole Single Temperature Wall Mount Faucet, Stainless Steel Quarter-Turn Eterna Cartridge w/ Spring Check, Stainless Steel 4-Arm Handle & 1/2" NPT Female Inlet, Less Nozzle

Product Compliance:

ASME A112.18.1 / CSA B125.1
NSF 61 - Section 9
NSF 372 (Low Lead Content)
ANSI A117.1 (ADA)