



**T&S BRASS AND BRONZE WORKS, INC.**  
 2 Saddleback Cove / P.O. Box 1088  
 Travelers Rest, SC 29690

Model No.  
**S-0220-LN**

Item No.

Travelers Rest, SC: 800-476-4103 • Simi Valley, CA: 800-423-0150 • Fax: 864-834-3518 • www.tsbrass.com



**ADA Compliant**

**EVERSTEEL**

This Space for Architect/Engineer Approval

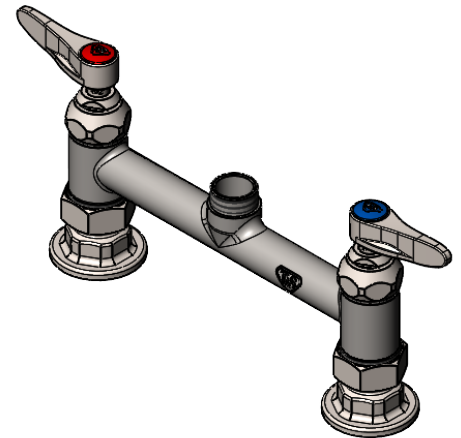
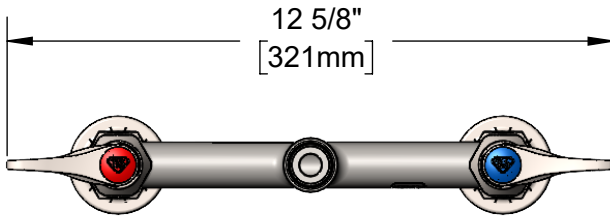
Job Name \_\_\_\_\_ Date \_\_\_\_\_

Model Specified \_\_\_\_\_ Quantity \_\_\_\_\_

Customer/Wholesaler \_\_\_\_\_

Contractor \_\_\_\_\_

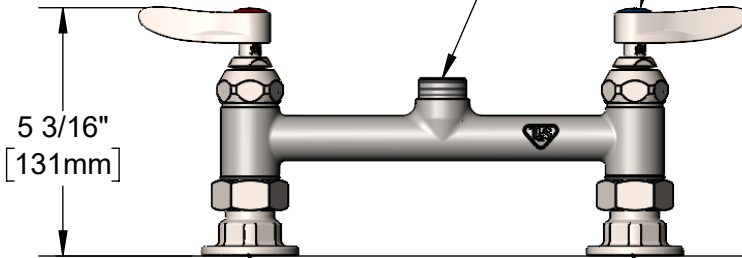
Architect/Engineer \_\_\_\_\_



014200-45  
 Lock Washer

Swivel Outlet Accepts  
 Standard Stainless  
 Steel T&S Swing  
 Nozzles

Quarter-Turn  
 Eterna Cartridges w/  
 Spring Checks &  
 Lever Handles w/  
 Color Coded Indexes



Mounting Surface

8"  
 [203mm]  
 Adjustable From  
 7 3/4" to 8 1/4"  
 [197mm to 210mm]

Ø 2" [51mm]  
 Flanges w/  
 1/2" NPT  
 Female Inlets

**Product Specifications:**

**Stainless Steel 8" Deck Mount Mixing Faucet, Quarter-Turn Eterna Cartridges w/ Spring Checks, Lever Handles & 1/2" NPT Female Inlets, Less Nozzle**

**Product Compliance:**

ASME A112.18.1 / CSA B125.1  
 NSF 61 - Section 9  
 NSF 372 (Low Lead Content)  
 ANSI A117.1 (ADA)



# T&S BRASS AND BRONZE WORKS, INC.

2 Saddleback Cove / P.O. Box 1088  
Travelers Rest, SC 29690

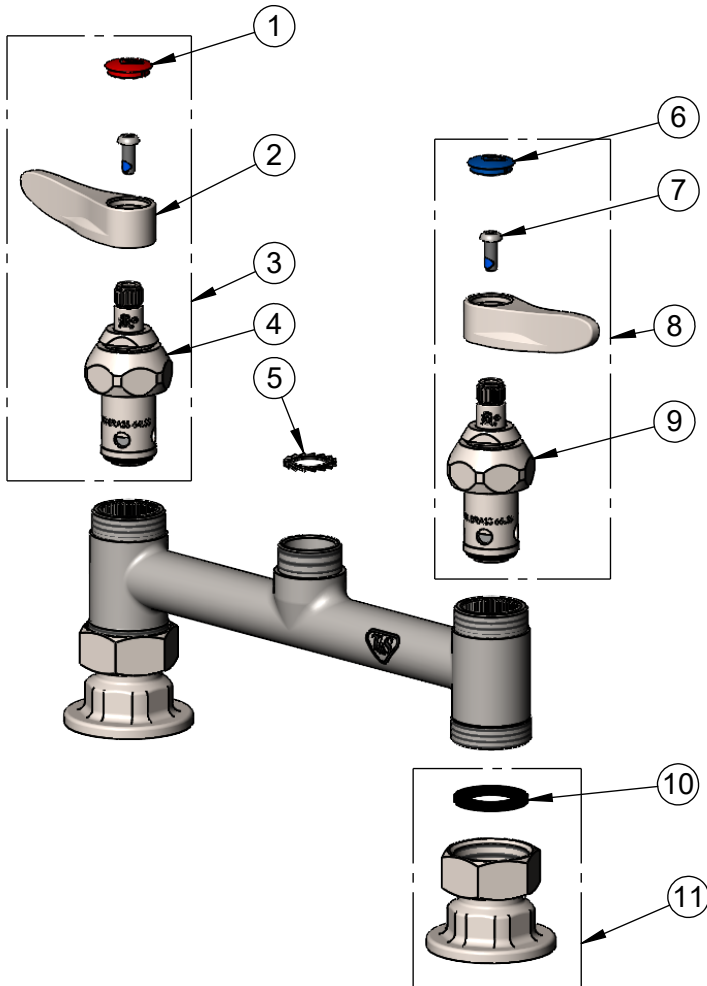
Model No.

**S-0220-LN**

Item No.

Travelers Rest, SC: 800-476-4103 • Simi Valley, CA: 800-423-0150 • Fax: 864-834-3518 • www.tsbrass.com

ITEM NO.	SALES NO.	DESCRIPTION
1	<a href="#">001193-19NS</a>	Red Button Index, Press-in
2	<a href="#">S001638-30NS</a>	Stainless Steel Lever Handle (New Style)
3	<a href="#">S002712-30NS</a>	SS Quarter-Turn Eterna Cartridge w/ Spring Check, Handle, Red Index & Screw, RTC
4	<a href="#">S012443-30NS</a>	SS Quarter-Turn Eterna Cartridge w/ Spring Check, RTC
5	<a href="#">014200-45</a>	Star Washer, Anti-Rotation
6	<a href="#">018506-19NS</a>	Blue Button Index, Press-in
7	<a href="#">000925-45</a>	Lab Handle Screw
8	<a href="#">S002711-30NS</a>	SS Quarter-Turn Eterna Cartridge w/ Spring Check, Handle, Blue Index & Screw, LTC
9	<a href="#">S012442-30NS</a>	SS Quarter-Turn Eterna Cartridge w/ Spring Check, LTC
10	<a href="#">010569-45</a>	Washer, Inlet Flange Coupling (UK)
11	S00AA	SS 1/2" NPT Female Eccentric Flange



**Product Specifications:**

Stainless Steel 8" Deck Mount Mixing Faucet, Quarter-Turn Eterna Cartridges w/ Spring Checks, Lever Handles & 1/2" NPT Female Inlets, Less Nozzle

**Product Compliance:**

ASME A112.18.1 / CSA B125.1  
NSF 61 - Section 9  
NSF 372 (Low Lead Content)  
ANSI A117.1 (ADA)