



# T&S BRASS AND BRONZE WORKS, INC.

2 Saddleback Cove / P.O. Box 1088  
Travelers Rest, SC 29690

Model No.

**S-0220-U18**

Item No.

Travelers Rest, SC: 800-476-4103 • Simi Valley, CA: 800-423-0150 • Fax: 864-834-3518 • www.tsbrass.com

**EVERSTEEL**



**ADA Compliant**

This Space for Architect/Engineer Approval

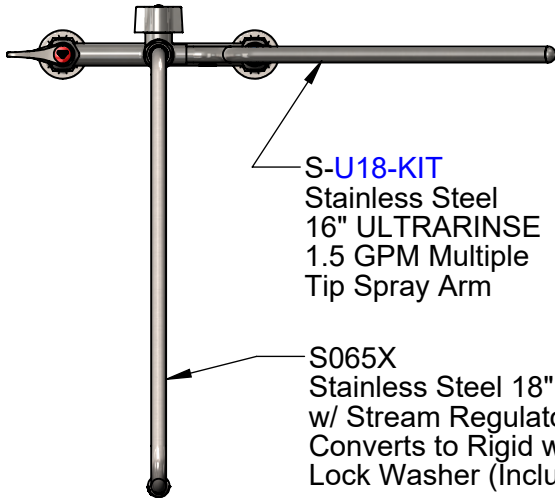
Job Name \_\_\_\_\_ Date \_\_\_\_\_

Model Specified \_\_\_\_\_ Quantity \_\_\_\_\_

Customer/Wholesaler \_\_\_\_\_

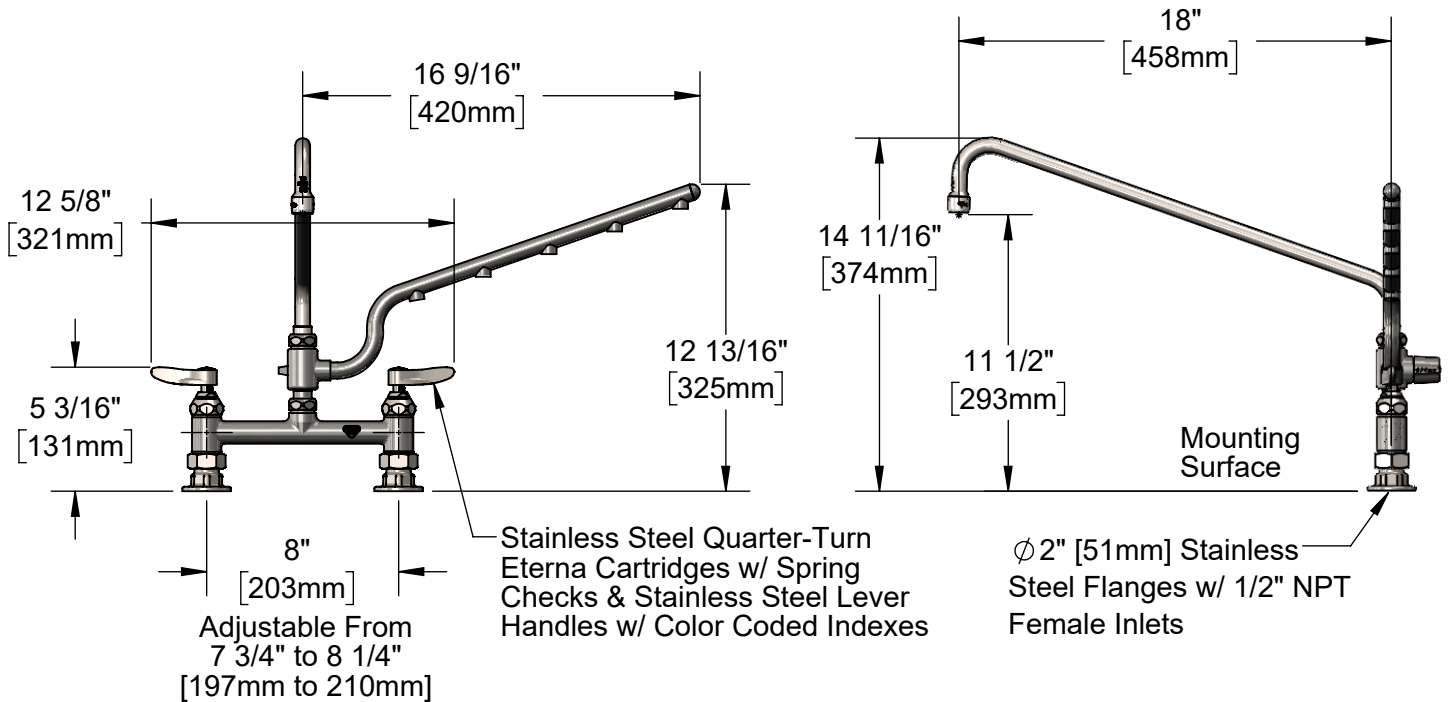
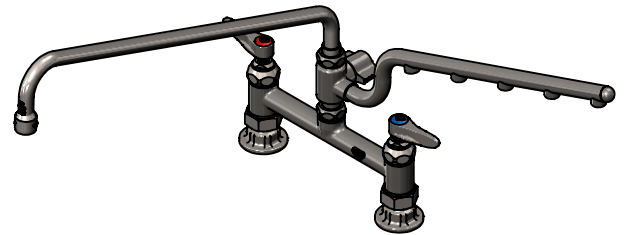
Contractor \_\_\_\_\_

Architect/Engineer \_\_\_\_\_



**S-U18-KIT**  
Stainless Steel  
16" ULTRARINSE  
1.5 GPM Multiple  
Tip Spray Arm

**S065X**  
Stainless Steel 18" Swing Nozzle  
w/ Stream Regulator Outlet  
Converts to Rigid w/ **014200-45**  
Lock Washer (Included)



**Product Specifications:**

8" Stainless Steel Deck Mount Mixing Faucet w/ Quarter-Turn Eterna Cartridges w/ Spring Checks, Lever Handles, 18" Swing Nozzle w/ Stream Regulator Outlet, 1.5 GPM 16" ULTRARINSE Multiple Tip Spray Arm & 1/2" NPT Female Inlets

**Product Compliance:**

ASME A112.18.1 / CSA B125.1  
NSF 61 - Section 9  
NSF 372 (Low Lead Content)  
ANSI A117.1 (ADA)



# T&S BRASS AND BRONZE WORKS, INC.

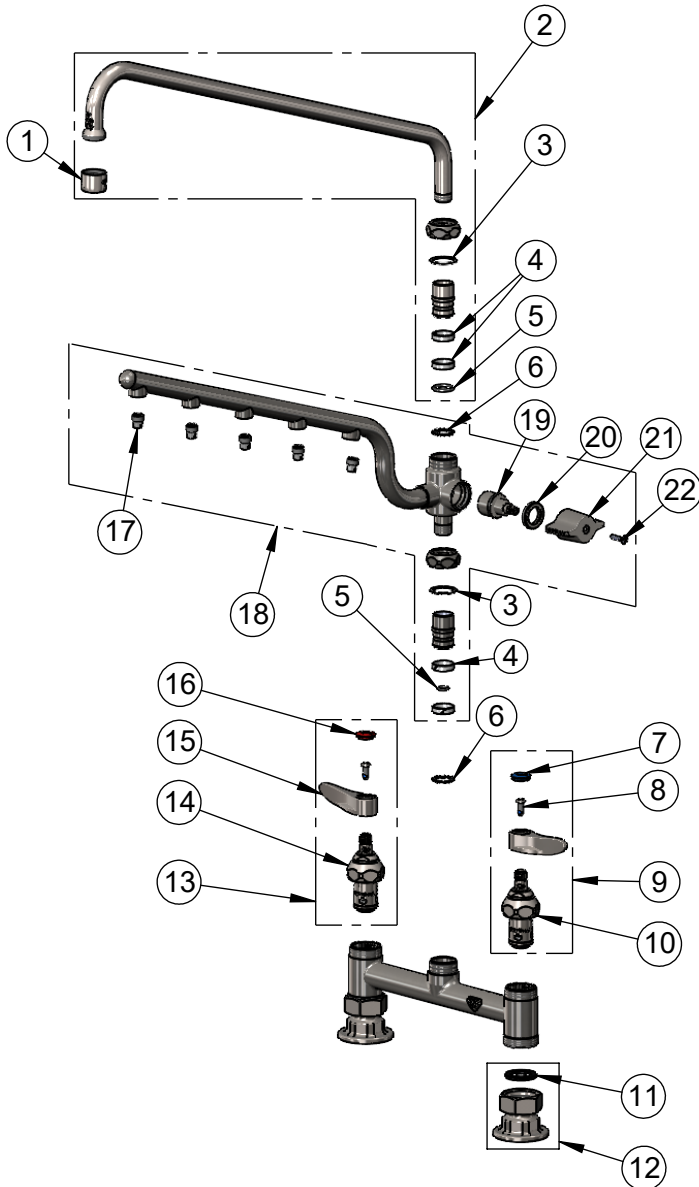
2 Saddleback Cove / P.O. Box 1088  
Travelers Rest, SC 29690

Model No.

**S-0220-U18**

Item No.

Travelers Rest, SC: 800-476-4103 • Simi Valley, CA: 800-423-0150 • Fax: 864-834-3518 • www.tsbrass.com



ITEM NO.	SALES NO.	DESCRIPTION
1	S-PT	Stainless Steel Full Flow Stream Regulator, 55/64-27
2	S065X	Stainless Steel 18" Swing Nozzle
3	009538-45	Swivel Washer
4	021087-45	Swivel Sleeves (2)
5	001074-45	O-Ring, Size 7.5mm x 2mm, EPDM
6	014200-45	Star Washer, Anti-Rotation
7	018506-19NS	Blue Button Index, Press-in
8	000925-45	Lab Handle Screw
9	S002711-30NS	Stainless Steel Quarter-Turn Eterna Cartridge w/ Spring Check, Handle, Blue Index & Screw, LTC
10	S012442-30 NS	Stainless Steel Quarter-Turn Eterna Cartridge w/ Spring Check, LTC
11	010569-45	Washer, Inlet Flange Coupling (UK)
12	S00AA	Stainless Steel 1/2" NPT Female Eccentric Flange
13	S002712-30NS	Stainless Steel Quarter-Turn Eterna Cartridge w/ Spring Check, Handle, Blue Index & Screw, RTC
14	S012443-30NS	Stainless Steel Quarter-Turn Eterna Cartridge w/ Spring Check, RTC
15	S001638-30NS	Stainless Steel Lever Handle (New Style)
16	001193-19NS	Red Button Index, Press-in
17	020666-25	0.3 GPM Spray Tip, SS
18	S-U18-KIT	ULTRARINSE 16" SS Tip Swivel Spray Arm, 1.5 GPM
19	S020641-20	ULTRARINSE SS Diverter Cartridge
20	S020645-20	SS Diverter Cartridge Nut
21	S020642-30	ULTRARINSE SS Diverter Handle
22	020669-45	M4 Screw, 17mm Long

**Product Specifications:**

8" Stainless Steel Deck Mount Mixing Faucet w/ Quarter-Turn Eterna Cartridges w/ Spring Checks, Lever Handles, 18" Swing Nozzle w/ Stream Regulator Outlet, 1.5 GPM 16" ULTRARINSE Multiple Tip Spray Arm & 1/2" NPT Female Inlets

**Product Compliance:**

ASME A112.18.1 / CSA B125.1  
NSF 61 - Section 9  
NSF 372 (Low Lead Content)  
ANSI A117.1 (ADA)