



T&S BRASS AND BRONZE WORKS, INC.
 2 Saddleback Cove / P.O. Box 1088
 Travelers Rest, SC 29690

Model No.
S-0221-WH4

Item No.

Travelers Rest, SC: 800-476-4103 • Simi Valley, CA: 800-423-0150 • Fax: 864-834-3518 • www.tsbrass.com

EVERSTEEL



ADA Compliant

This Space for Architect/Engineer Approval

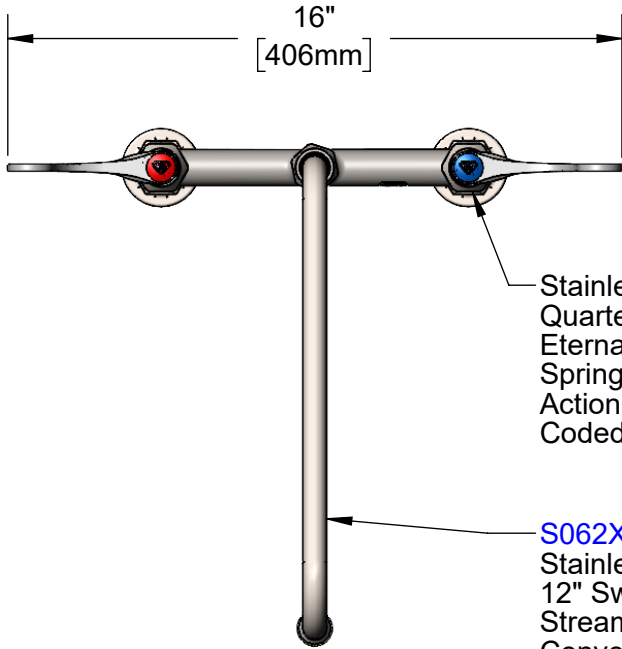
Job Name _____ Date _____

Model Specified _____ Quantity _____

Customer/Wholesaler _____

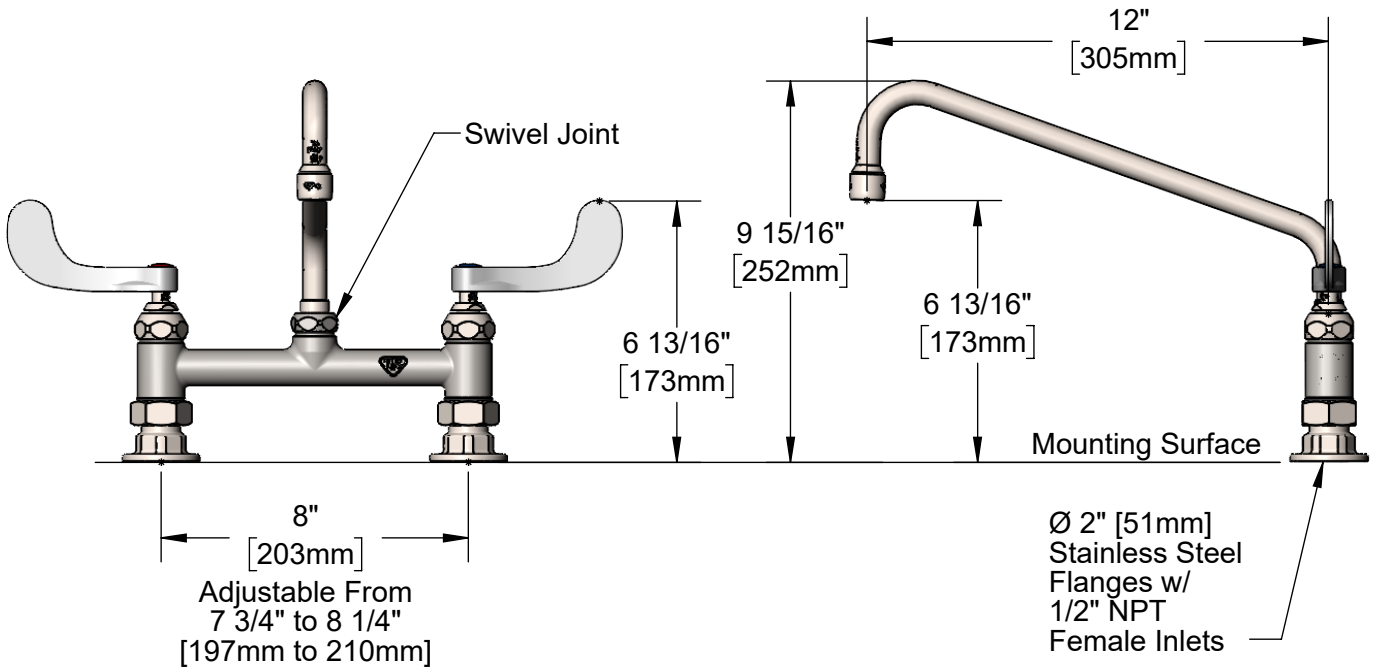
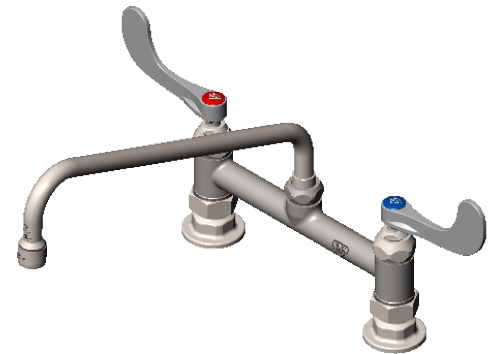
Contractor _____

Architect/Engineer _____



Stainless Steel
 Quarter-Turn
 Eterna Cartridges w/
 Spring Checks & Wrist
 Action Handles w/ Color
 Coded Indexes

S062X
 Stainless Steel
 12" Swing Nozzle w/
 Stream Regulator Outlet.
 Converts to Rigid w/
014200-45 Lock Washer
 (Included)



Swivel Joint

Mounting Surface

Ø 2" [51mm]
 Stainless Steel
 Flanges w/
 1/2" NPT
 Female Inlets

Product Specifications:

Stainless Steel 8" Deck Mount Mixing Faucet, Quarter-Turn Eterna Cartridges w/ Spring Checks, Wrist Action Handles, 12" Swing Nozzle w/ Stream Regulator Outlet & 1/2" NPT Female Inlets

Product Compliance:

ASME A112.18.1 / CSA B125.1
 NSF 61 - Section 9
 NSF 372 (Low Lead Content)
 ANSI A117.1 (ADA)



T&S BRASS AND BRONZE WORKS, INC.

2 Saddleback Cove / P.O. Box 1088
Travelers Rest, SC 29690

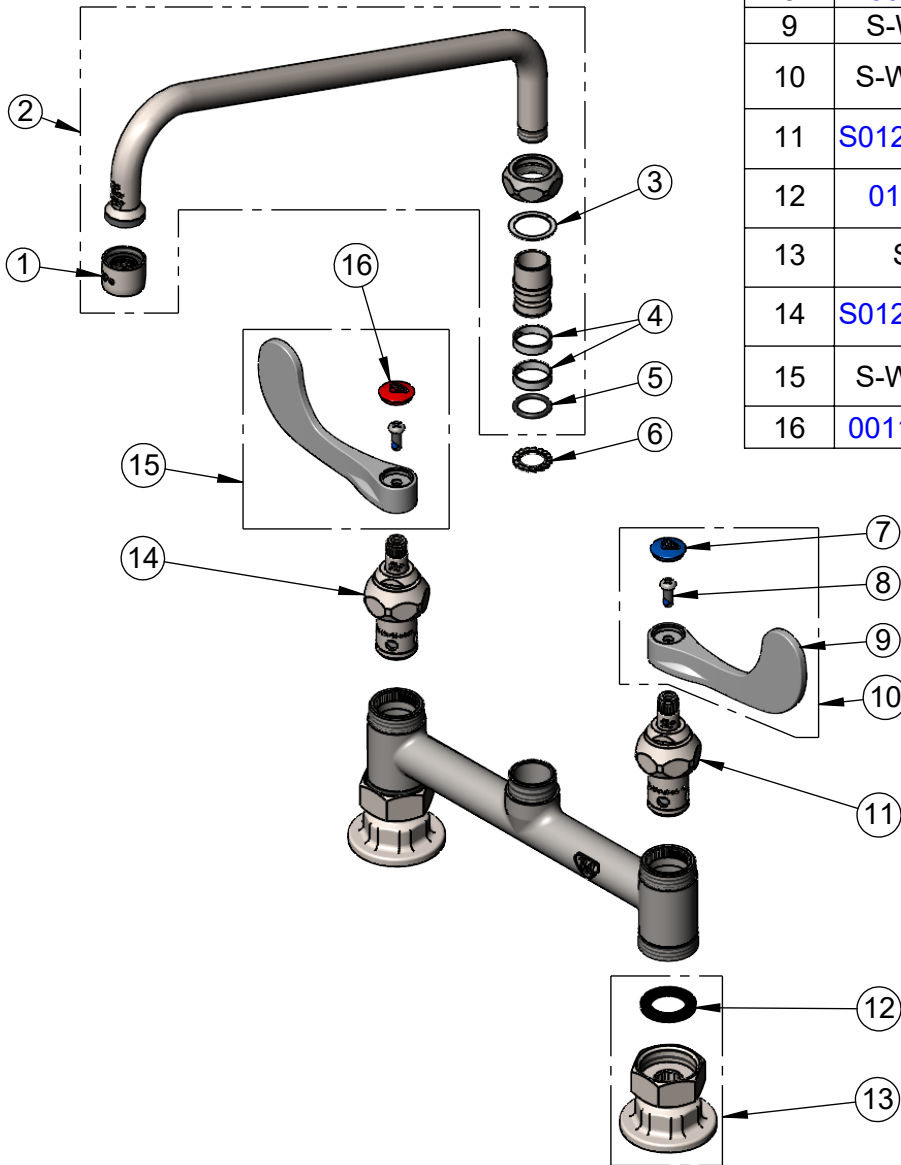
Model No.

S-0221-WH4

Item No.

Travelers Rest, SC: 800-476-4103 • Simi Valley, CA: 800-423-0150 • Fax: 864-834-3518 • www.tsbrass.com

ITEM NO.	SALES NO.	DESCRIPTION
1	S-PT	SS Full Flow Stream Regulator, 55/64-27
2	S062X	SS 12" Swing Nozzle
3	009538-45	Swivel Washer
4	021087-45	Swivel Sleeves (2)
5	001074-45	O-Ring
6	014200-45	Star Washer, Anti-Rotation
7	018506-19NS	Blue Button Index, Press-in
8	000925-45	Lab Handle Screw
9	S-WH4-NS	SS 4" Wrist Action Handle
10	S-WH4C-NS	4" Stainless Steel Wrist Action Handle w/ Blue Index & Screw
11	S012442-30NS	SS Quarter-Turn Eterna Cartridge w/ Spring Check, LTC
12	010569-45	Washer, Inlet Flange Coupling (UK)
13	S00AA	SS 1/2" NPT Female Eccentric Flange
14	S012443-30NS	SS Quarter-Turn Eterna Cartridge w/ Spring Check, RTC
15	S-WH4H-NS	4" Stainless Steel Wrist Action Handle w/ Red Index & Screw
16	001193-19NS	Red Button Index, Press-in



Product Specifications:

Stainless Steel 8" Deck Mount Mixing Faucet, Quarter-Turn Eterna Cartridges w/ Spring Checks, Wrist Action Handles, 12" Swing Nozzle w/ Stream Regulator Outlet & 1/2" NPT Female Inlets

Product Compliance:

ASME A112.18.1 / CSA B125.1
NSF 61 - Section 9
NSF 372 (Low Lead Content)
ANSI A117.1 (ADA)