



T&S BRASS AND BRONZE WORKS, INC.

2 Saddleback Cove / P.O. Box 1088
Travelers Rest, SC 29690

Model No.

S-0300-CR

Item No.

Travelers Rest, SC: 800-476-4103 • Simi Valley, CA: 800-423-0150 • Fax: 864-834-3518 • www.tsbrass.com

EVERSTEEL



ADA Compliant

This Space for Architect/Engineer Approval

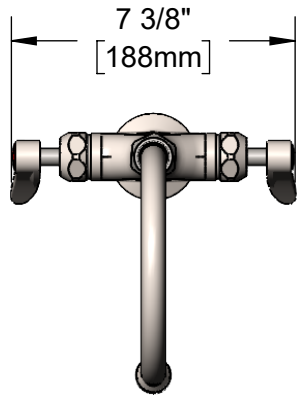
Job Name _____ Date _____

Model Specified _____ Quantity _____

Customer/Wholesaler _____

Contractor _____

Architect/Engineer _____



7 3/8"

[188mm]

S133X
Stainless Steel 5 3/4" Swivel
Gooseneck w/ Stream
Regulator Outlet.
Converts to Rigid w/
014200-45 Lock Washer
(Included)

Stainless Steel
Quarter-Turn Cerama
Cartridges w/ Check Valves
& Stainless Steel
Lever Handles w/ Color
Coded Indexes

2 5/16"

[59mm]

Mounting
Surface

13 7/16"

[341mm]

5 3/4"

[145mm]

9"

[228mm]

Ø 2 1/4" [57mm]
Deck Flange

1 7/8"
[48mm]

Maximum
Thickness

18" Flexible
Stainless Steel
Supply Hoses
w/ G1/2 Female
Swivel Connections
(Compatible w/
1/2" NPSM Threads)

Rough-In Requirement:
Ø 1 1/2" [38mm] Mounting Hole

Product Specifications:

Stainless Steel Single Hole Deck Mount Mixing Faucet, Quarter-Turn Cerama Cartridges w/ Check Valves, Lever Handles, 5 3/4" Swivel/Rigid Gooseneck & 18" Flexible Stainless Steel Supply Hoses w/ G1/2 Female Connections (Compatible w/ 1/2" NPSM Threads)

Product Compliance:

ASME A112.18.1 / CSA B125.1
NSF 61 - Section 9
NSF 372 (Low Lead Content)
ANSI A117.1 (ADA)



T&S BRASS AND BRONZE WORKS, INC.

2 Saddleback Cove / P.O. Box 1088
Travelers Rest, SC 29690

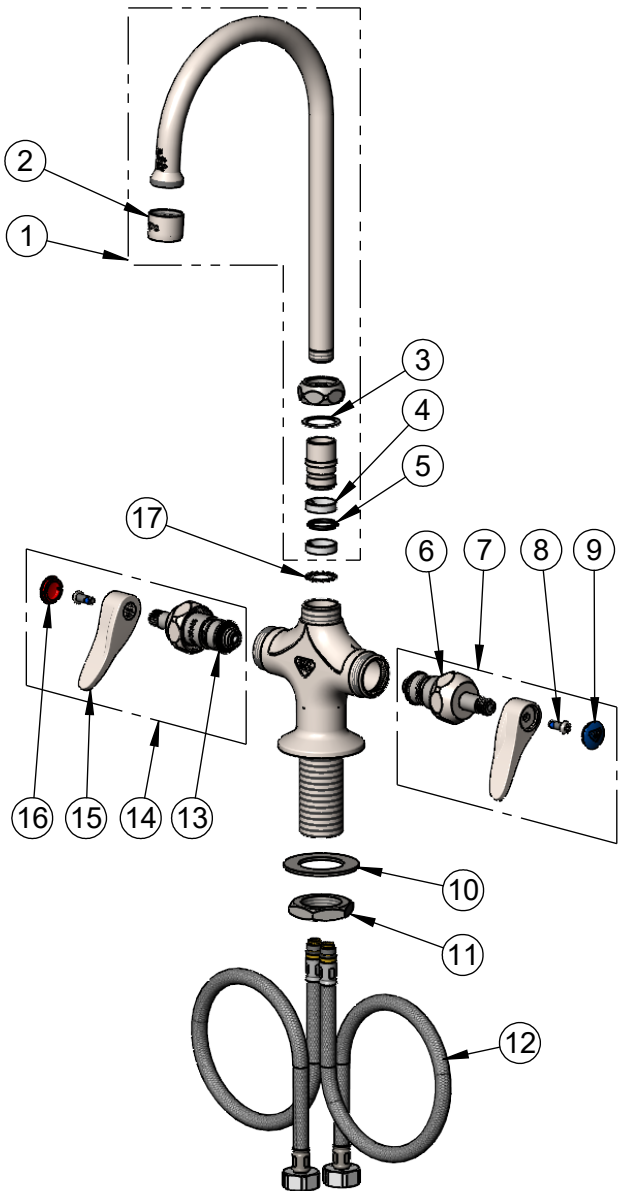
Model No.

S-0300-CR

Item No.

Travelers Rest, SC: 800-476-4103 • Simi Valley, CA: 800-423-0150 • Fax: 864-834-3518 • www.tsbrass.com

ITEM NO.	SALES NO.	DESCRIPTION
1	S133X	SS 5 3/4" Swivel Gooseneck
2	S-PT	Stainless Steel Full Flow Stream Regulator, 55/64-27
3	009538-45	Swivel Washer
4	021087-45	Swivel Sleeves (2)
5	001074-45	O-Ring
6	S012395-30NS	Stainless Steel Quarter-Turn Cerama Cartridge w/ New Style Bonnet, Check Valve, LTC
7	S012447-30NS	Stainless Steel Quarter-Turn Cerama Cartridge w/ Check Valve, Handle, Blue Index & Screw, LTC
8	000925-45	Lab Handle Screw
9	018506-19NS	Blue Button Index, Press-in
10	S007365-20	SS Lock Washer
11	S000965-20	SS Lock Nut
12	012436-45DR	Flexible Connector Hose
13	S012394-30NS	Stainless Steel Quarter-Turn Cerama Cartridge w/ New Style Bonnet, Check Valve, RTC
14	S012446-30NS	Stainless Steel Quarter-Turn Cerama Cartridge w/ Check Valve, Handle, Red Index & Screw, RTC
15	S001638-30NS	Stainless Steel Lever Handle (New Style)
16	001193-19NS	Red Button Index, Press-in
17	014200-45	Star Washer, Anti-Rotation



Product Specifications:

Stainless Steel Single Hole Deck Mount Mixing Faucet, Quarter-Turn Cerama Cartridges w/ Check Valves, Lever Handles, 5 3/4" Swivel/Rigid Gooseneck & 18" Flexible Stainless Steel Supply Hoses w/ G1/2 Female Connections (Compatible w/ 1/2" NPSM Threads)

Product Compliance:

ASME A112.18.1 / CSA B125.1
NSF 61 - Section 9
NSF 372 (Low Lead Content)
ANSI A117.1 (ADA)