



**T&S BRASS AND BRONZE WORKS, INC.**  
 2 Saddleback Cove / P.O. Box 1088  
 Travelers Rest, SC 29690

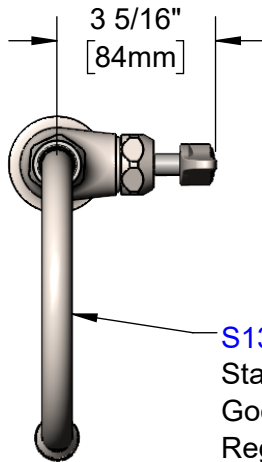
Model No.  
**S-0305-CR**

Item No.

Travelers Rest, SC: 800-476-4103 • Simi Valley, CA: 800-423-0150 • Fax: 864-834-3518 • www.tsbrass.com

This Space for Architect/Engineer Approval

Job Name \_\_\_\_\_ Date \_\_\_\_\_  
 Model Specified \_\_\_\_\_ Quantity \_\_\_\_\_  
 Customer/Wholesaler \_\_\_\_\_  
 Contractor \_\_\_\_\_  
 Architect/Engineer \_\_\_\_\_

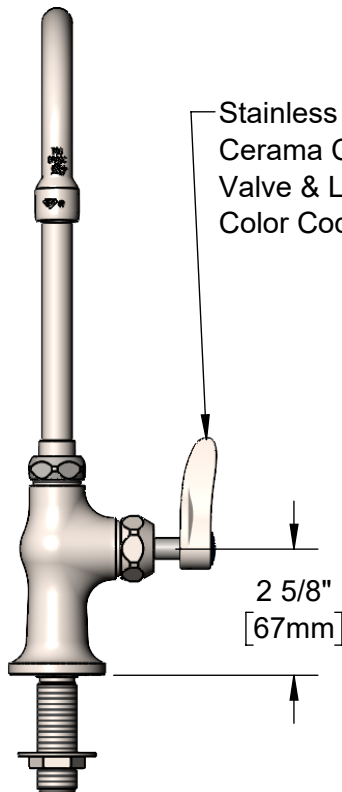
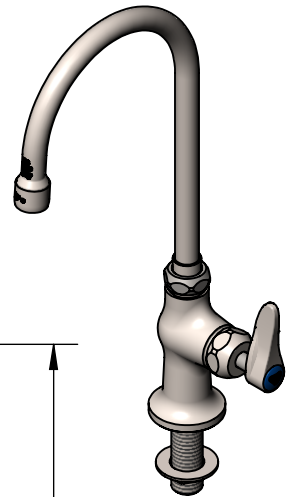


**EVERSTEEL**

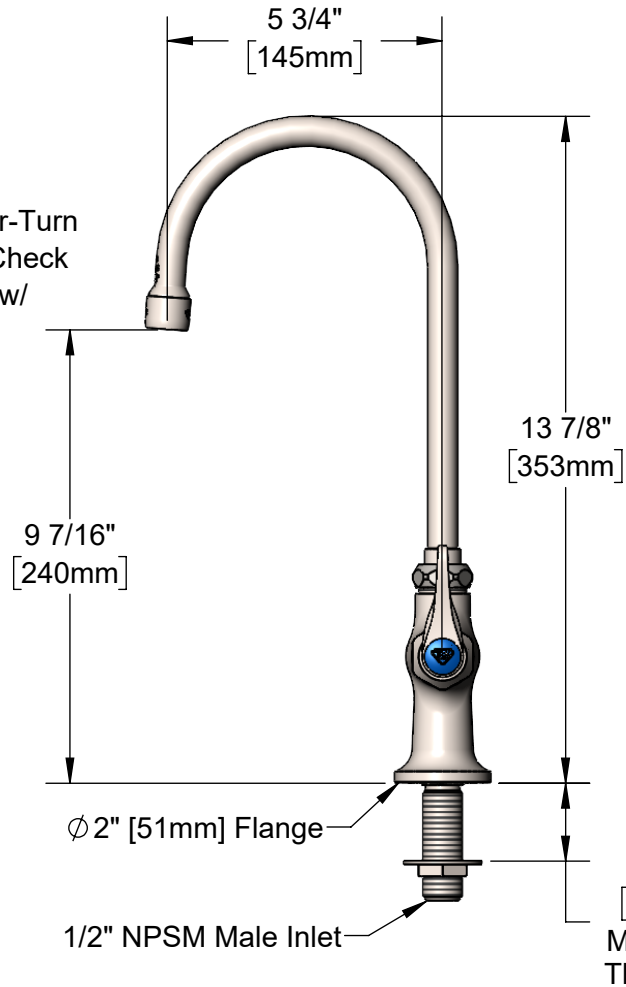


ADA Compliant

**S133X**  
 Stainless Steel 5 3/4" Swivel  
 Gooseneck w/ Stream  
 Regulator Outlet. Converts  
 to Rigid w/ 014200-45 Lock  
 Washer (Included)



Stainless Steel Quarter-Turn  
 Cerama Cartridge w/ Check  
 Valve & Lever Handle w/  
 Color Coded Index



Rough-In Requirement:  
 Ø 1" [25mm] Mounting Hole

Product Specifications:  
 Stainless Steel Single Hole Single Temperature Deck Mount Faucet, Stainless  
 Steel Quarter-Turn Cerama Cartridge w/ Check Valve, Stainless Steel Lever  
 Handle, Stainless Steel 5 3/4" Swivel/Rigid Gooseneck w/ Stream Regulator  
 Outlet & 1/2" NPSM Male Inlet

Product Compliance:  
 ASME A112.18.1 / CSA B125.1  
 NSF 61 - Section 9  
 NSF 372 (Low Lead Content)  
 ANSI A117.1 (ADA)



# T&S BRASS AND BRONZE WORKS, INC.

2 Saddleback Cove / P.O. Box 1088  
Travelers Rest, SC 29690

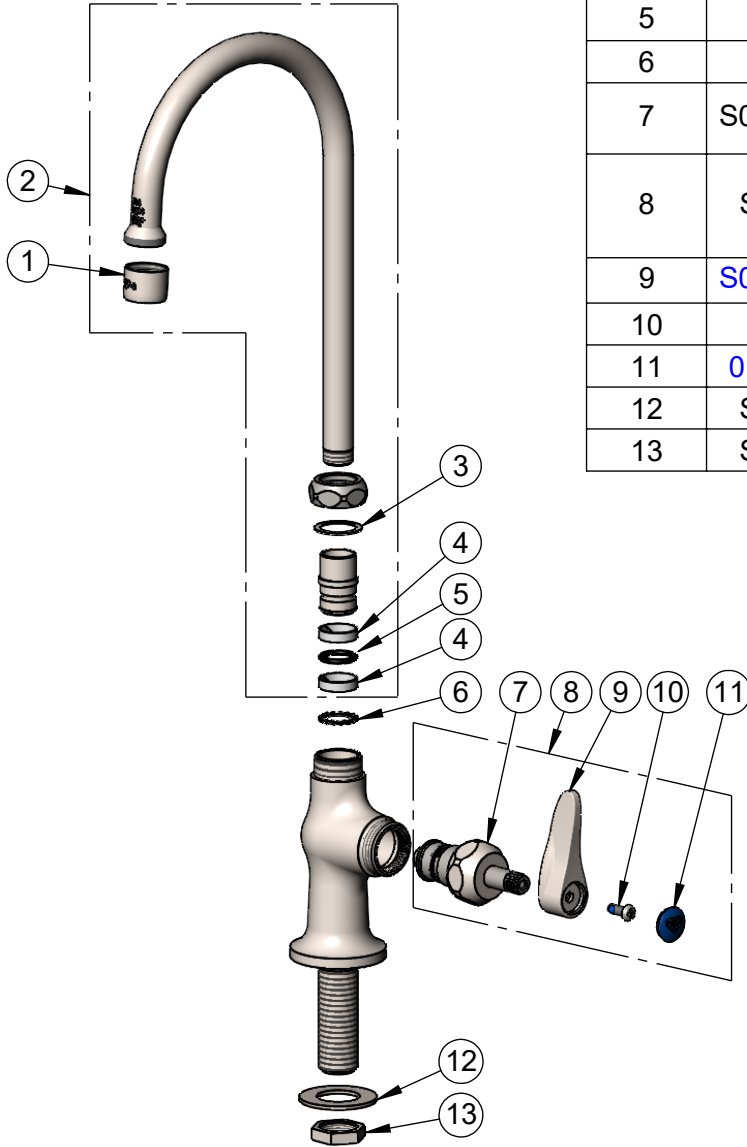
Model No.

**S-0305-CR**

Item No.

Travelers Rest, SC: 800-476-4103 • Simi Valley, CA: 800-423-0150 • Fax: 864-834-3518 • www.tsbrass.com

ITEM NO.	SALES NO.	DESCRIPTION
1	S-PT	Full Flow Stream Regulator, 55/64-27
2	S133X	Stainless Steel 5 3/4" Swivel Gooseneck w/ Stream Regulator Outlet
3	009538-45	Swivel Washer
4	011429-45	Swivel Sleeves (2)
5	001074-45	O-Ring
6	014200-45	Star Washer, Anti-Rotation
7	S012394-30NS	Stainless Steel Quarter-Turn Cerama Cartridge w/ Spring Check, RTC
8	S019641-30	Stainless Steel Cerama Cartridge RTC w/ Check Valve, Handle, Blue Index & Screw
9	S001638-30NS	Lever Handle (New Style)
10	000925-45	Lab Handle Screw
11	018506-19NS	Blue Button Index, Press-in
12	S000999-20	Stainless Steel Lock Washer
13	S002954-20	Shank Lock Nut



**Product Specifications:**

Stainless Steel Single Hole Single Temperature Deck Mount Faucet, Stainless Steel Quarter-Turn Cerama Cartridge w/ Check Valve, Stainless Steel Lever Handle, Stainless Steel 5 3/4" Swivel/Rigid Gooseneck w/ Stream Regulator Outlet & 1/2" NPSM Male Inlet

**Product Compliance:**

ASME A112.18.1 / CSA B125.1  
NSF 61 - Section 9  
NSF 372 (Low Lead Content)  
ANSI A117.1 (ADA)