



T&S BRASS AND BRONZE WORKS, INC.

2 Saddleback Cove / P.O. Box 1088
Travelers Rest, SC 29690

Model No.

S-0310-CR

Item No.

Travelers Rest, SC: 800-476-4103 • Simi Valley, CA: 800-423-0150 • Fax: 864-834-3518 • www.tsbrass.com

This Space for Architect/Engineer Approval

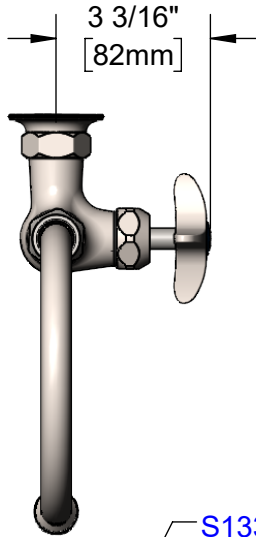
Job Name _____ Date _____

Model Specified _____ Quantity _____

Customer/Wholesaler _____

Contractor _____

Architect/Engineer _____

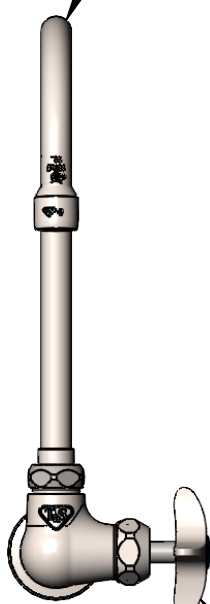
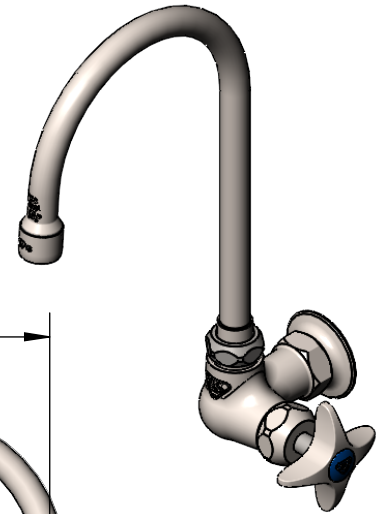


EVERSTEEL

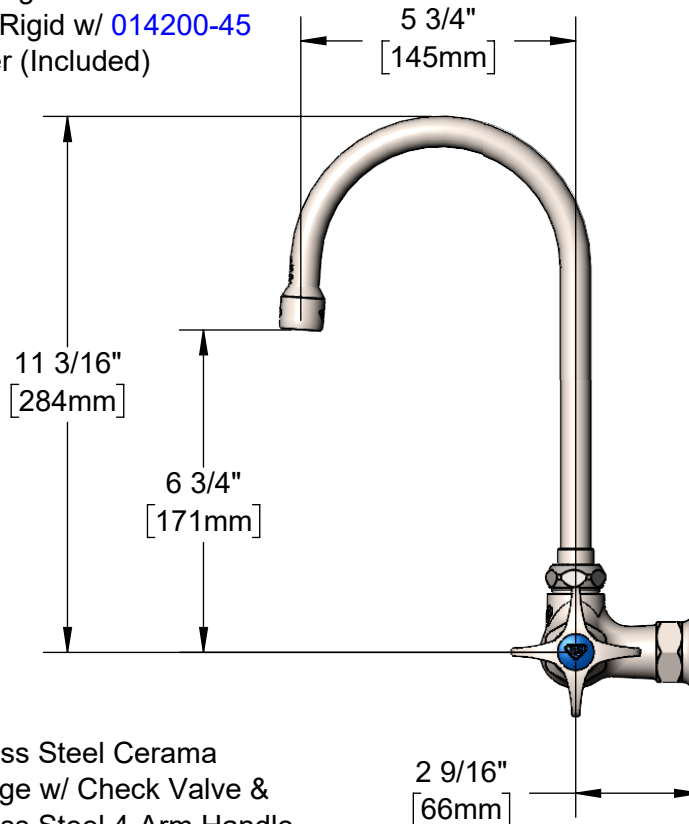


ADA Compliant

S133X
Stainless Steel Swivel Gooseneck
w/ Stream Regulator Outlet.
Converts to Rigid w/ **014200-45**
Lock Washer (Included)



Stainless Steel Cerama
Cartridge w/ Check Valve &
Stainless Steel 4-Arm Handle
w/ Color Coded Index



Mounting
Surface

Ø2" [51mm]
Flange w/
1/2" NPT
Female Inlet

Product Specifications:

Stainless Steel Single Hole Single Temperature Wall Mount Faucet, Stainless Steel Quarter-Turn Cerama Cartridge w/ Check Valve, Stainless Steel 5 1/2" Swivel/Rigid Gooseneck w/ Stream Regulator Outlet, Stainless Steel 4-Arm Handle & 1/2" NPT Female Inlet

Product Compliance:

ASME A112.18.1 / CSA B125.1
NSF 61 - Section 9
NSF 372 (Low Lead Content)
ANSI A117.1 (ADA)



T&S BRASS AND BRONZE WORKS, INC.

2 Saddleback Cove / P.O. Box 1088
Travelers Rest, SC 29690

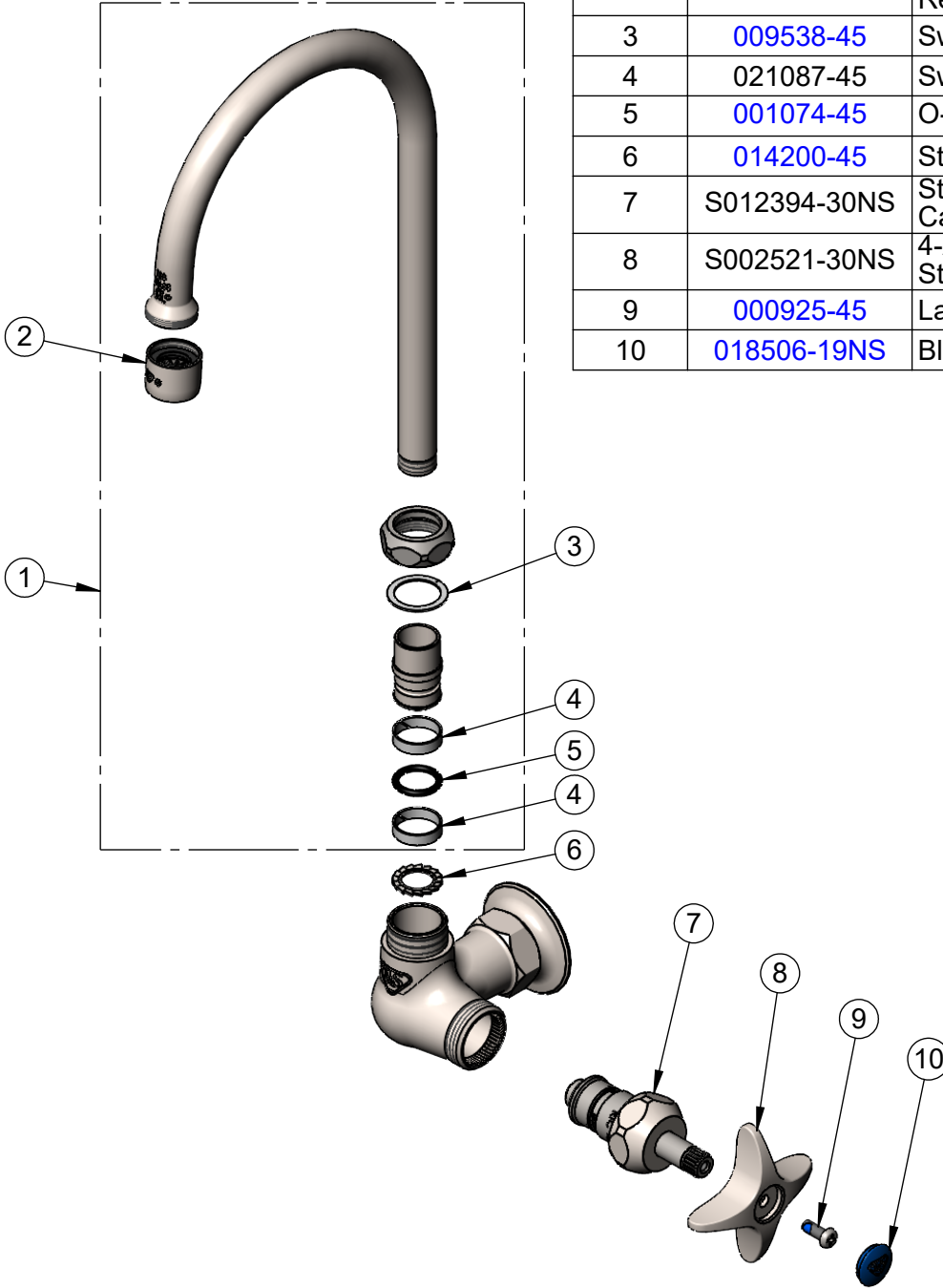
Model No.

S-0310-CR

Item No.

Travelers Rest, SC: 800-476-4103 • Simi Valley, CA: 800-423-0150 • Fax: 864-834-3518 • www.tsbrass.com

ITEM NO.	SALES NO.	DESCRIPTION
1	S133X	Stainless Steel Swivel Gooseneck w/ Stream Regulator Outlet
2	S-PT	Stainless Steel Full Flow Stream Regulator, 55/64-27
3	009538-45	Swivel Washer
4	021087-45	Swivel Sleeves (2)
5	001074-45	O-Ring
6	014200-45	Star Washer, Anti-Rotation
7	S012394-30NS	Stainless Steel Quarter-Turn Cerama Cartridge w/ Spring Check, RTC
8	S002521-30NS	4-Arm Handle (New Style), Stainless Steel
9	000925-45	Lab Handle Screw
10	018506-19NS	Blue Button Index, Press-in



Product Specifications:

Stainless Steel Single Hole Single Temperature Wall Mount Faucet, Stainless Steel Quarter-Turn Cerama Cartridge w/ Check Valve, Stainless Steel 5 1/2" Swivel/Rigid Gooseneck w/ Stream Regulator Outlet, Stainless Steel 4-Arm Handle & 1/2" NPT Female Inlet

Product Compliance:

ASME A112.18.1 / CSA B125.1
NSF 61 - Section 9
NSF 372 (Low Lead Content)
ANSI A117.1 (ADA)