



T&S BRASS AND BRONZE WORKS, INC.

2 Saddleback Cove / P.O. Box 1088
Travelers Rest, SC 29690

Model No.

S-1142-04

Item No.

Travelers Rest, SC: 800-476-4103 • Simi Valley, CA: 800-423-0150 • Fax: 864-834-3518 • www.tsbrass.com

EVERSTEEL



ADA Compliant

This Space for Architect/Engineer Approval

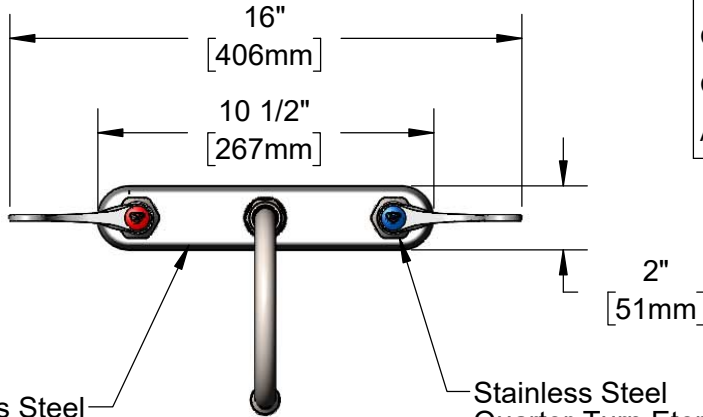
Job Name _____ Date _____

Model Specified _____ Quantity _____

Customer/Wholesaler _____

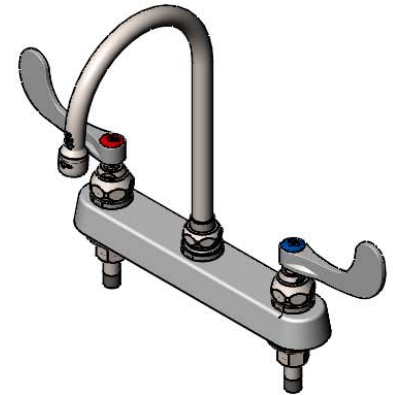
Contractor _____

Architect/Engineer _____



Stainless Steel Escutcheon

Stainless Steel Quarter-Turn Eterna Cartridges w/ Spring Checks & 4" Stainless Steel Wrist Action Handles w/ Color Coded Indexes



S133X-A22
5 3/4" Stainless Steel Swivel Gooseneck w/ 2.2 GPM Stainless Steel Aerator

Swivel Joint Converts to Rigid w/ **014200-45** Lock Washer (Included)

4 15/16" [125mm]

1" [25mm]

8" [203mm]

Mounting Surface

1/2" NPT Stainless Steel Male Inlets

11 3/8" [289mm]

6 15/16" [176mm]

5 3/4" [145mm]

(2) S150A Optional Stainless Steel Tailpieces & Nuts for 1/4" NPT Connection (Included)

1/4" [6mm] Maximum Thickness

Rough-In Requirement:
(2) \varnothing 1" [25mm] Mounting Holes

Product Specifications:

8" Stainless Steel Deck Mount Workboard Faucet, Stainless Steel Quarter-Turn Eterna Cartridges w/ Spring Checks, 4" Stainless Steel Wrist Action Handles, 5 3/4" Stainless Steel Swivel Gooseneck, 2.2 GPM Stainless Steel Aerator & 1/2" NPT Stainless Steel Male Inlets

Product Compliance:

ASME A112.18.1 / CSA B125.1
NSF 61 - Section 9
NSF 372 (Low Lead Content)
ANSI A117.1 (ADA)



T&S BRASS AND BRONZE WORKS, INC.

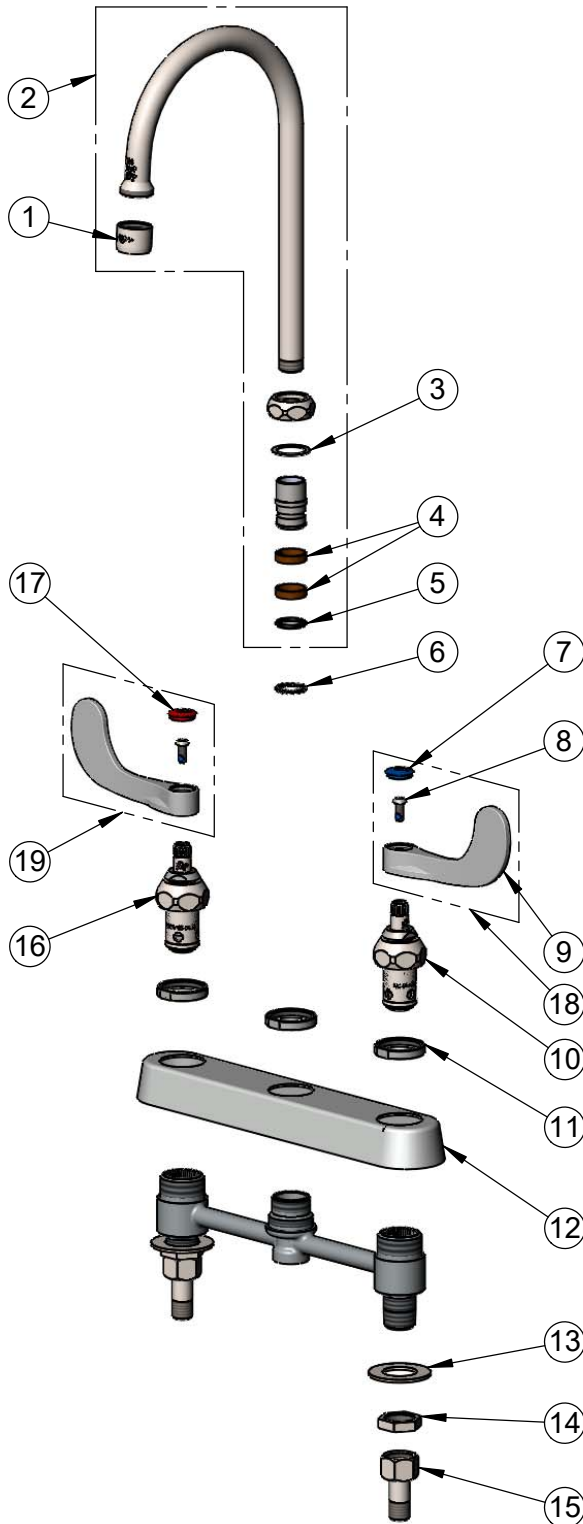
2 Saddleback Cove / P.O. Box 1088
Travelers Rest, SC 29690

Model No.

S-1142-04

Item No.

Travelers Rest, SC: 800-476-4103 • Simi Valley, CA: 800-423-0150 • Fax: 864-834-3518 • www.tsbrass.com



ITEM NO.	SALES NO.	DESCRIPTION
1	S-0199-01	2.2 GPM SS Aerator, 55/64-27 UN Female
2	S133X-A22	5 3/4" SS Swivel Gooseneck w/ 2.2 GPM SS Aerator
3	009538-45	Swivel Washer
4	011429-45	Swivel Sleeves (2)
5	001074-45	O-Ring
6	014200-45	Star Washer, Anti-Rotation
7	018506-19NS	Blue Button Index, Press-in
8	000925-45	Lab Handle Screw
9	S-WH4-NS	SS Wrist Action Handle - New Style
10	S012442-30NS	Quarter-Turn New Style Eterna Cartridge w/ Spring Check, LTC
11	S019376-30	Stainless Steel Escutcheon Lock Nut
12	S019375-30	S-1120 Eterna Workboard Escutcheon
13	S000999-20	Stainless Steel Lock Washer
14	S002954-20	Stainless Steel Shank Lock Nut
15	S150A	1/4" NPT SS Tailpiece & Nut
16	S012443-30NS	SS Quarter-Turn New Style Eterna Cartridge w/ Spring Check, RTC
17	001193-19NS	Red Button Index, Press-in
18	S-WH4C-NS	SS Wrist Action Handle, Blue Index & Screw
19	S-WH4H-NS	SS Wrist Action Handle, Red Index & Screw

Product Specifications:

8" Stainless Steel Deck Mount Workboard Faucet, Stainless Steel Quarter-Turn Eterna Cartridges w/ Spring Checks, 4" Stainless Steel Wrist Action Handles, 5 3/4" Stainless Steel Swivel Gooseneck, 2.2 GPM Stainless Steel Aerator & 1/2" NPT Stainless Steel Male Inlets

Product Compliance:

ASME A112.18.1 / CSA B125.1
NSF 61 - Section 9
NSF 372 (Low Lead Content)
ANSI A117.1 (ADA)