



T&S BRASS AND BRONZE WORKS, INC.
 2 Saddleback Cove / P.O. Box 1088
 Travelers Rest, SC 29690

Model No.
S-2285-CR-B

Item No.

Travelers Rest, SC: 800-476-4103 • Simi Valley, CA: 800-423-0150 • Fax: 864-834-3518 • www.tsbrass.com

This Space for Architect/Engineer Approval

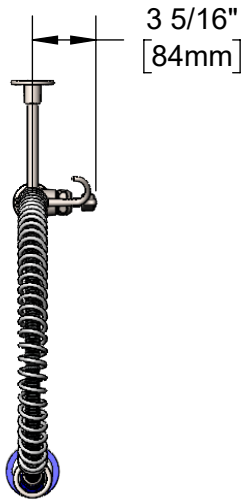
Job Name _____ Date _____

Model Specified _____ Quantity _____

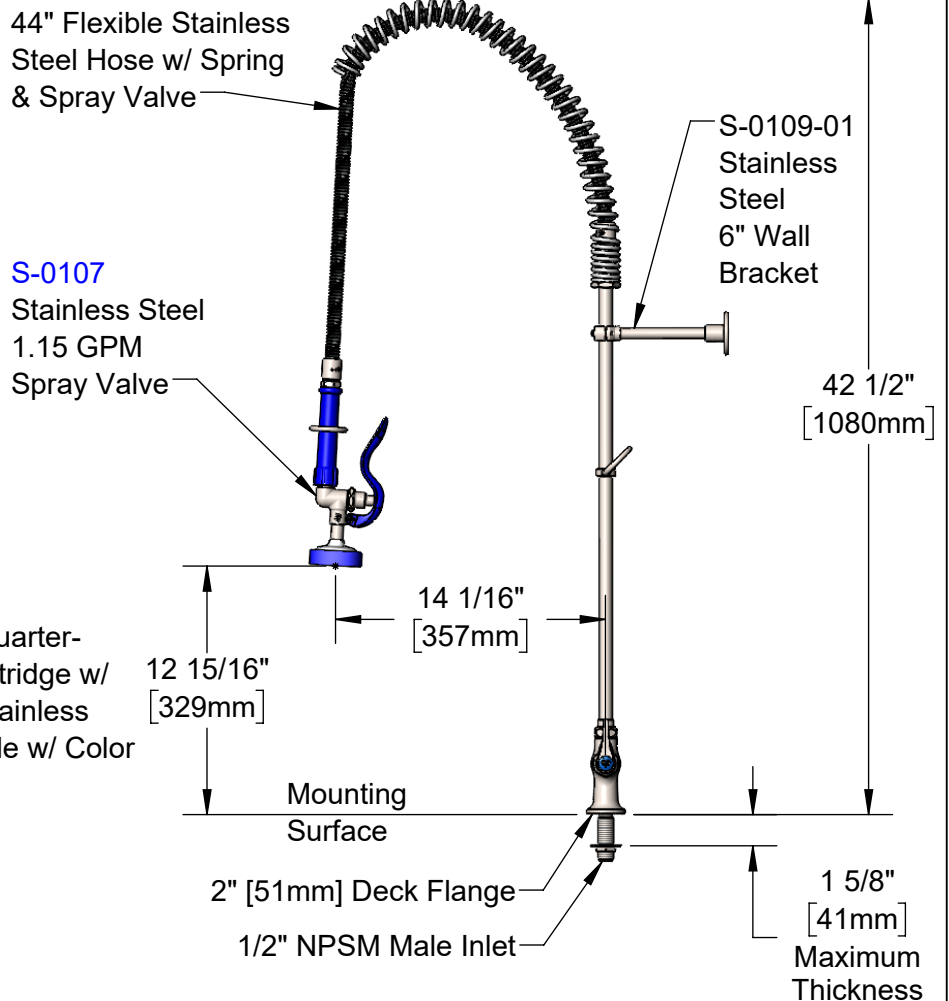
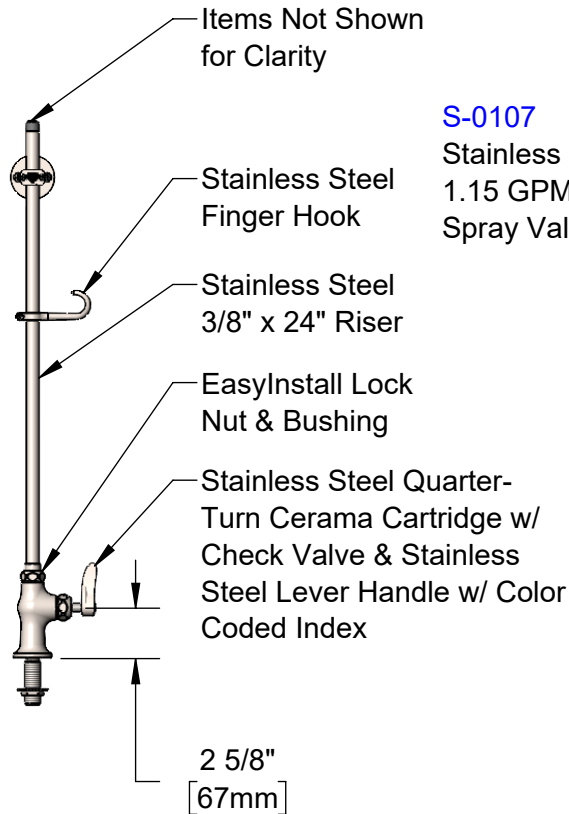
Customer/Wholesaler _____

Contractor _____

Architect/Engineer _____



EVERSTEEL



S-0107
 Stainless Steel
 1.15 GPM
 Spray Valve

Rough-In Requirement:
 Ø 1" [25mm] Mounting Hole

Product Specifications:

Pre-Rinse Unit: Stainless Steel Single Hole Single Temperature Deck Mount Faucet, Stainless Steel Quarter-Turn Cerama Cartridge w/ Check Valve, Stainless Steel Lever Handle, Stainless Steel 24" Riser, 44" Flexible Stainless Steel Hose, Stainless Steel 1.15 GPM Spray Valve, Stainless Steel 6" Wall Bracket & 1/2" NPSM Male Inlet

Product Compliance:

ASME A112.18.1 / CSA B125.1
 NSF 61 - Section 9
 NSF 372 (Low Lead Content)
 2019 DOE PRSV - Class II



T&S BRASS AND BRONZE WORKS, INC.

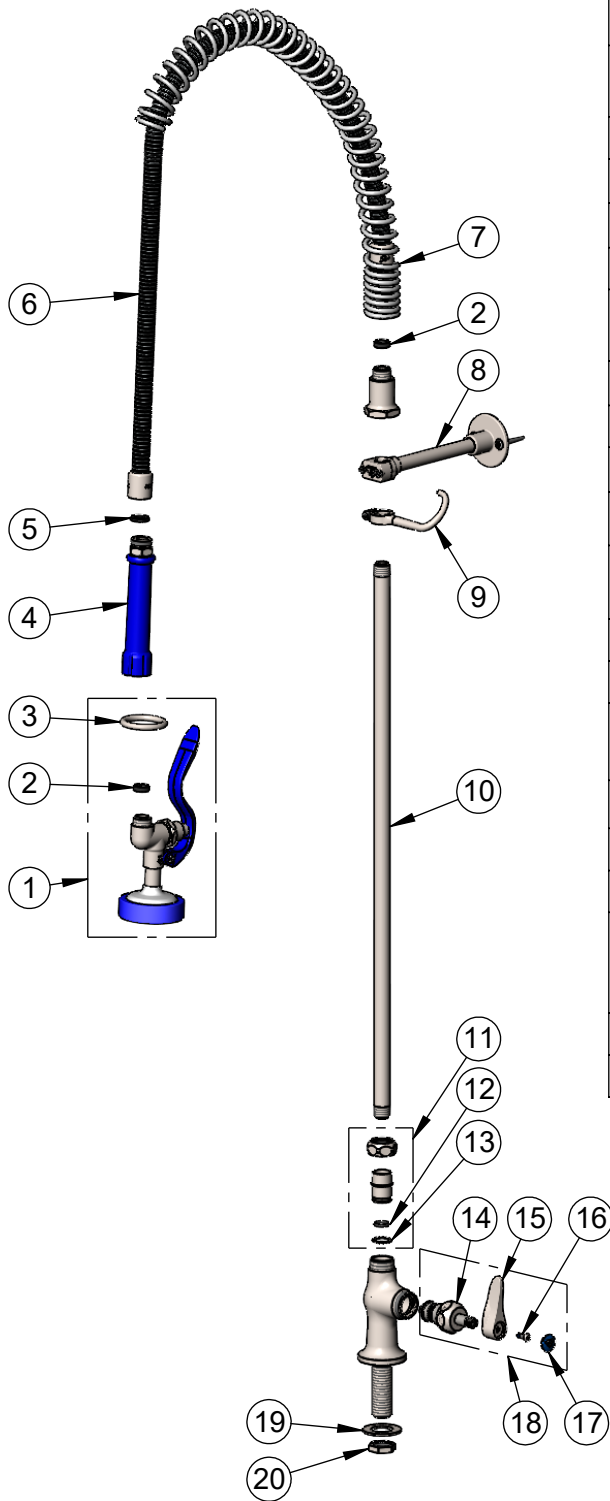
2 Saddleback Cove / P.O. Box 1088
Travelers Rest, SC 29690

Model No.

S-2285-CR-B

Item No.

Travelers Rest, SC: 800-476-4103 • Simi Valley, CA: 800-423-0150 • Fax: 864-834-3518 • www.tsbrass.com



ITEM NO.	SALES NO.	DESCRIPTION
1	S-0107	Stainless Steel 1.15 GPM Spray Valve (Blue)
2	010476-45	#27 Washer
3	S000907-30	Spray Valve Hold Down Ring
4	S011482-30	Blue Grip Handle
5	001014-45	Washer, Hose Barrel
6	S-0044-H2A	44" Flexible Stainless Steel Hose, Less Handle
7	S000888-30	EasyInstall Overhead Spring
8	S-0109-01	6" Wall Bracket
9	S004R	Finger Hook
10	S000372-30	3/8" NPT x 24" Riser, Stainless Steel
11	SEZ-K	Stainless Steel EasyInstall Kit: Nut, Bushing, O-Ring & Lock Washer
12	001065-45	O-Ring
13	014200-45	Star Washer, Anti-Rotation
14	S012394-30NS	Stainless Steel Quarter-Turn Cerama Cartridge w/ Check Valve, RTC
15	S001638-30NS	Lever Handle (New Style)
16	000925-45	Lab Handle Screw
17	018506-19NS	Blue Button Index, Press-in
18	S019641-30	Stainless Steel Quarter-Turn Cerama Cartridge RTC w/ Check Valve, Handle, Blue Index & Screw
19	S000999-20	Stainless Steel Lock Washer
20	S002954-20	Shank Lock Nut

Product Specifications:

Pre-Rinse Unit: Stainless Steel Single Hole Single Temperature Deck Mount Faucet, Stainless Steel Quarter-Turn Cerama Cartridge w/ Check Valve, Stainless Steel Lever Handle, Stainless Steel 24" Riser, 44" Flexible Stainless Steel Hose, Stainless Steel 1.15 GPM Spray Valve, Stainless Steel 6" Wall Bracket & 1/2" NPSM Male Inlet

Product Compliance:

ASME A112.18.1 / CSA B125.1
NSF 61 - Section 9
NSF 372 (Low Lead Content)
2019 DOE PRSV - Class II