



T&S BRASS AND BRONZE WORKS, INC.
 2 Saddleback Cove / P.O. Box 1088
 Travelers Rest, SC 29690

Model No.
S-2785-S062X

Item No.

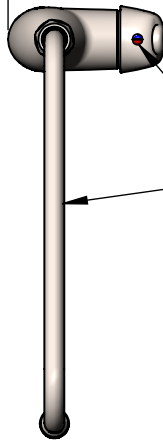
Travelers Rest, SC: 800-476-4103 • Simi Valley, CA: 800-423-0150 • Fax: 864-834-3518 • www.tsbrass.com

This Space for Architect/Engineer Approval

Job Name _____ Date _____
 Model Specified _____ Quantity _____
 Customer/Wholesaler _____
 Contractor _____
 Architect/Engineer _____

4 7/8"
 [124mm]

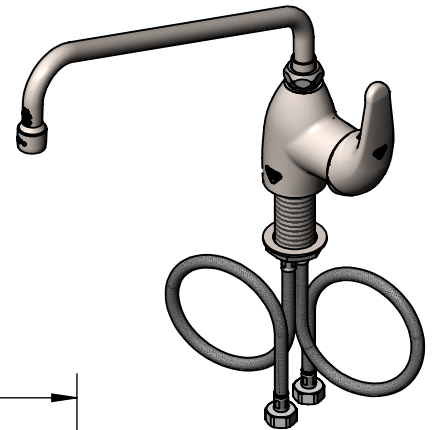
EVERSTEEL



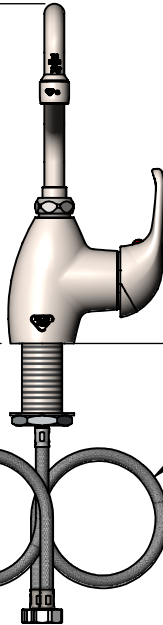
Hot/Cold Index

S062X

Stainless Steel 12" Swing Nozzle
 w/ Stream Regulator Outlet.
 Converts to Rigid w/ 014200-45
 Lock Washer (Included).

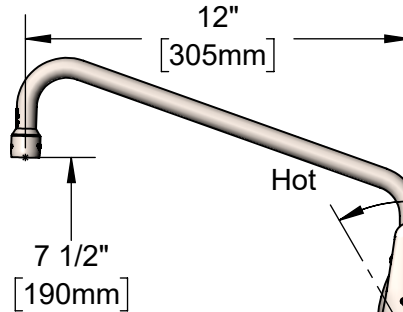


10 5/8"
 [270mm]



Single Lever w/
 Ceramic Cartridge

Mounting Surface

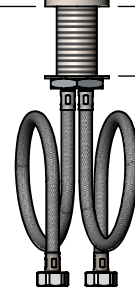


7 1/2"
 [190mm]

Hot

Cold

18" Flexible Stainless
 Steel Supply Hoses w/
 G1/2 Female Swivel
 Fittings (Compatible w/
 1/2" NPSM Threads)



2 3/16"
 [55mm]
 Maximum
 Thickness

Rough-in Requirement:
 Ø 1 1/2" [38mm] Mounting Hole

Product Specifications:
 Single Hole Deck Mount Single Lever Faucet, Ceramic Cartridge, Temperature
 Limit Stop, Stainless Steel 12" Swing Nozzle, & Flexible Stainless Steel Supply
 Hoses

Product Compliance:
 ASME A112.18.1 / CSA B125.1
 NSF 61 - Section 9
 NSF 372 (Low Lead Content)
 ANSI A117.1 (ADA)



T&S BRASS AND BRONZE WORKS, INC.

2 Saddleback Cove / P.O. Box 1088
Travelers Rest, SC 29690

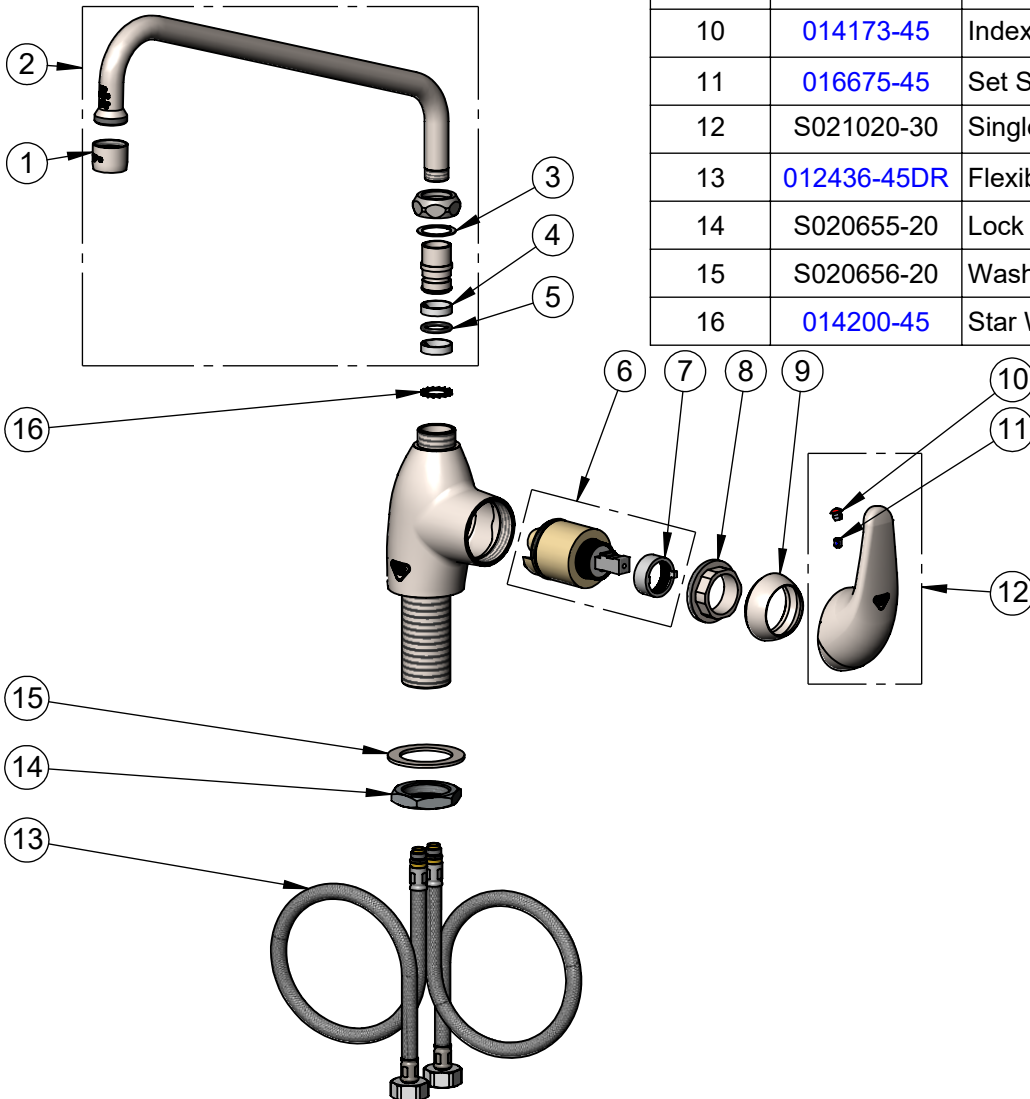
Model No.

S-2785-S062X

Item No.

Travelers Rest, SC: 800-476-4103 • Simi Valley, CA: 800-423-0150 • Fax: 864-834-3518 • www.tsbrass.com

ITEM NO.	SALES NO.	DESCRIPTION
1	S-PT	Stainless Steel Full Flow Stream Regulator, 55/64-27
2	S062X	Stainless Steel 12" Swing Nozzle
3	009538-45	Swivel Washer
4	021087-45	Swivel Sleeves (2)
5	001074-45	O-Ring
6	013111-45	Ceramic Cartridge w/ Temperature Limit Stop
7	015400-45	Temperature Limit Stop
8	S021022-20	Locking Nut, Stainless Steel
9	S021021-30	Trim Ring, Stainless Steel
10	014173-45	Index, Temperature
11	016675-45	Set Screw
12	S021020-30	Single Lever Handle, Stainless Steel
13	012436-45DR	Flexible Connector Hose
14	S020655-20	Lock Nut
15	S020656-20	Washer, Stainless Steel
16	014200-45	Star Washer, Anti-Rotation



Product Specifications:

Single Hole Deck Mount Single Lever Faucet, Ceramic Cartridge, Temperature Limit Stop, Stainless Steel 12" Swing Nozzle, & Flexible Stainless Steel Supply Hoses

Product Compliance:

ASME A112.18.1 / CSA B125.1
NSF 61 - Section 9
NSF 372 (Low Lead Content)
ANSI A117.1 (ADA)