



T&S BRASS AND BRONZE WORKS, INC.

2 Saddleback Cove / P.O. Box 1088
Travelers Rest, SC 29690

Model No.

SMPF-2LSN-06

Item No.

Travelers Rest, SC: 800-476-4103 • Simi Valley, CA: 800-423-0150 • Fax: 864-834-3518 • www.tsbrass.com

This Space for Architect/Engineer Approval

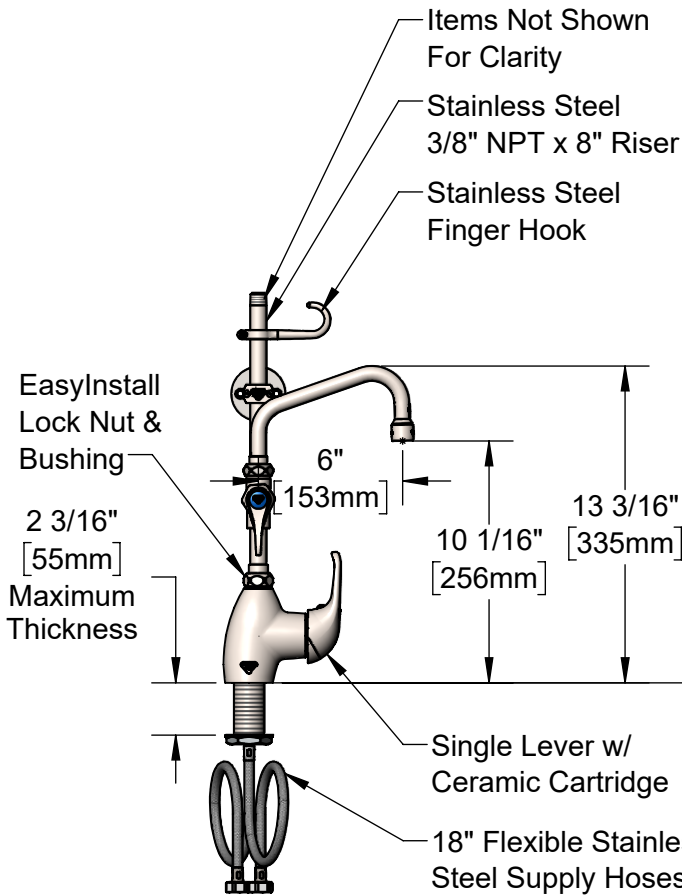
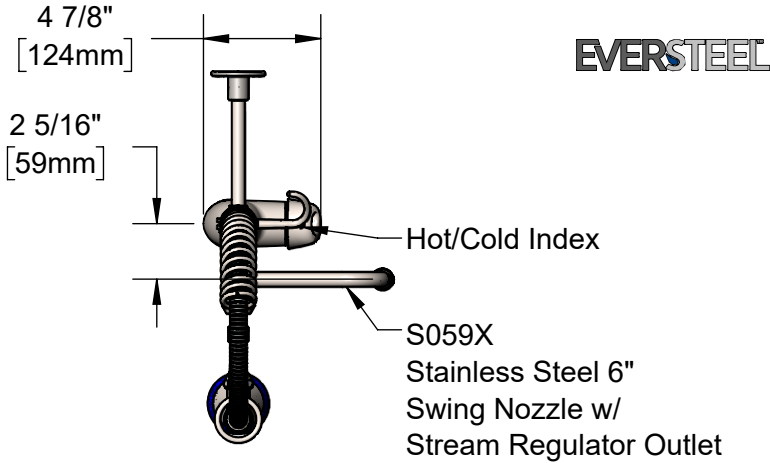
Job Name _____ Date _____

Model Specified _____ Quantity _____

Customer/Wholesaler _____

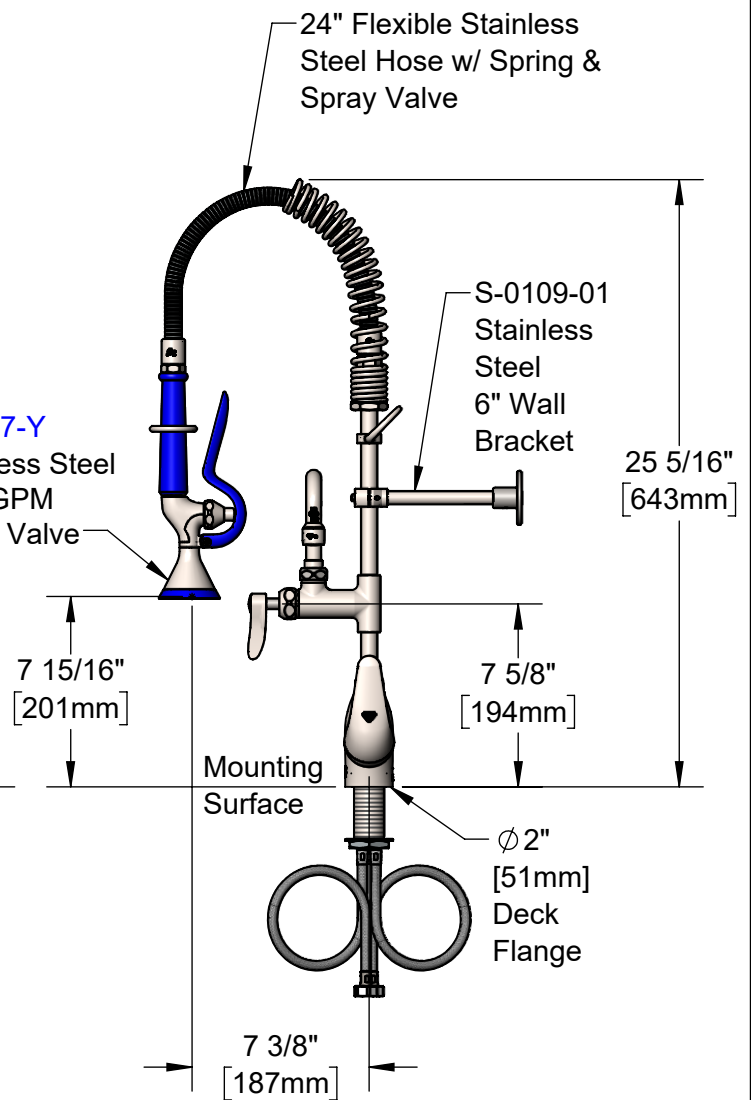
Contractor _____

Architect/Engineer _____



S-0107-Y

Stainless Steel
1.15 GPM
Spray Valve



Rough-in Requirement:
Ø 1 1/2" [38mm] Mounting Hole

Product Specifications:

Stainless Steel Pre-Rinse Unit: EasyInstall Single Hole Deck Mount Single Lever Faucet, Ceramic Cartridge, Add-On Faucet, 6" Swing Nozzle, 24" Flexible Stainless Steel Hose, 1.15 GPM New Style Spray Valve, 6" Wall Bracket & Flexible Stainless Steel Supply Hoses

Product Compliance:

ASME A112.18.1 / CSA B125.1
NSF 61 - Section 9
NSF 372 (Low Lead Content)
2019 DOE PRSV - Class II



T&S BRASS AND BRONZE WORKS, INC.

2 Saddleback Cove / P.O. Box 1088
Travelers Rest, SC 29690

Model No.

SMPF-2LSN-06

Item No.

Travelers Rest, SC: 800-476-4103 • Simi Valley, CA: 800-423-0150 • Fax: 864-834-3518 • www.tsbrass.com

	ITEM NO.	SALES NO.	DESCRIPTION
	1	S-0107-Y	Stainless Steel 1.15 GPM New Style Spray Valve (Blue)
	2	010476-45	#27 Washer
	3	S000907-30	Spray Valve Hold Down Ring, Stainless Steel
	4	S020795-30	Stainless Steel New Style Grip Handle, Blue
	5	001014-45	Washer, Hose Barrel
	6	S-0024-H2A	Flexible Stainless Steel Hose
	7	S016795-30	Compact Spring
	8	S000821-30	Spring Body
	9	S004R	Finger Hook
	10	S-0109-01	Stainless Steel 6" Wall Bracket
	11	S078X	3/8" NPT x 8" Riser
	12	SEZ-K	Stainless Steel EasyInstall Kit: Nut, Bushing, O-Ring & Lock Washer
	13	001065-45	O-Ring
	14	014200-45	Star Washer, Anti-Rotation
	15	013111-45	Ceramic Cartridge w/ Temperature Limit Stop
	16	015400-45	Temperature Limit Stop
	17	S021022-20	Locking Nut, Stainless Steel
	18	014173-45	Index, Temperature
	19	016675-45	Set Screw
	20	S021020-30	Single Lever Handle, Stainless Steel
	21	S021021-30	Trim Ring, Stainless Steel
	22	S020656-20	Washer, Stainless Steel
	23	S020655-20	Lock Nut
	24	012436-45DR	Flexible Connector Hose
	25	S-0155-CR-LNEZ	Stainless Steel EasyInstall Add-On Faucet w/ Cerama Cartridge & Lever Handle (Less Nozzle)
	26	S001638-30NS	Stainless Steel Lever Handle (New Style)
	27	018506-19NS	Blue Button Index, Press-in
	28	000925-45	Lab Handle Screw
	29	S012394-30NS	Stainless Steel Quarter-Turn Cerama Cartridge w/ Check Valve, RTC
	30	S-PT	Stainless Steel Full Flow Stream Regulator, 55/64-27
	31	S059X	Stainless Steel 6" Swing Nozzle
	89		Stainless Steel Barrel, RTC Ceramic Cartridge (HOT)

Product Specifications:
 Stainless Steel Pre-Rinse Unit: EasyInstall Single Hole Deck Mount Single Lever Faucet, Ceramic Cartridge, Add-On Faucet, 6" Swing Nozzle, 24" Flexible Stainless Steel Hose, 1.15 GPM New Style Spray Valve, 6" Wall Bracket & Flexible Stainless Steel Supply Hoses

Product Compliance:
 ASME A112.18.1 / CSA B125.1
 NSF 61 - Section 9
 NSF 372 (Low Lead Content)
 2019 DOE PRSV - Class II