



T&S BRASS AND BRONZE WORKS, INC.

2 Saddleback Cove / P.O. Box 1088
Travelers Rest, SC 29690

Model No.

TPS1010-B0520V5

Item No.

Travelers Rest, SC: 800-476-4103 • Simi Valley, CA: 800-423-0150 • Fax: 864-834-3518 • www.tsbrass.com

This Space for Architect/Engineer Approval

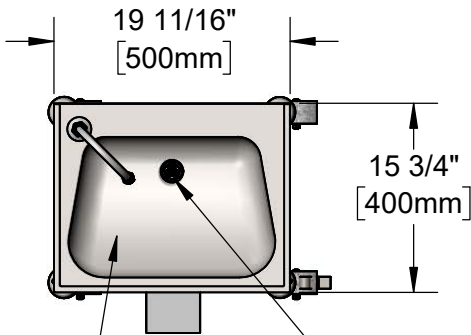
Job Name _____ Date _____

Model Specified _____ Quantity _____

Customer/Wholesaler _____

Contractor _____

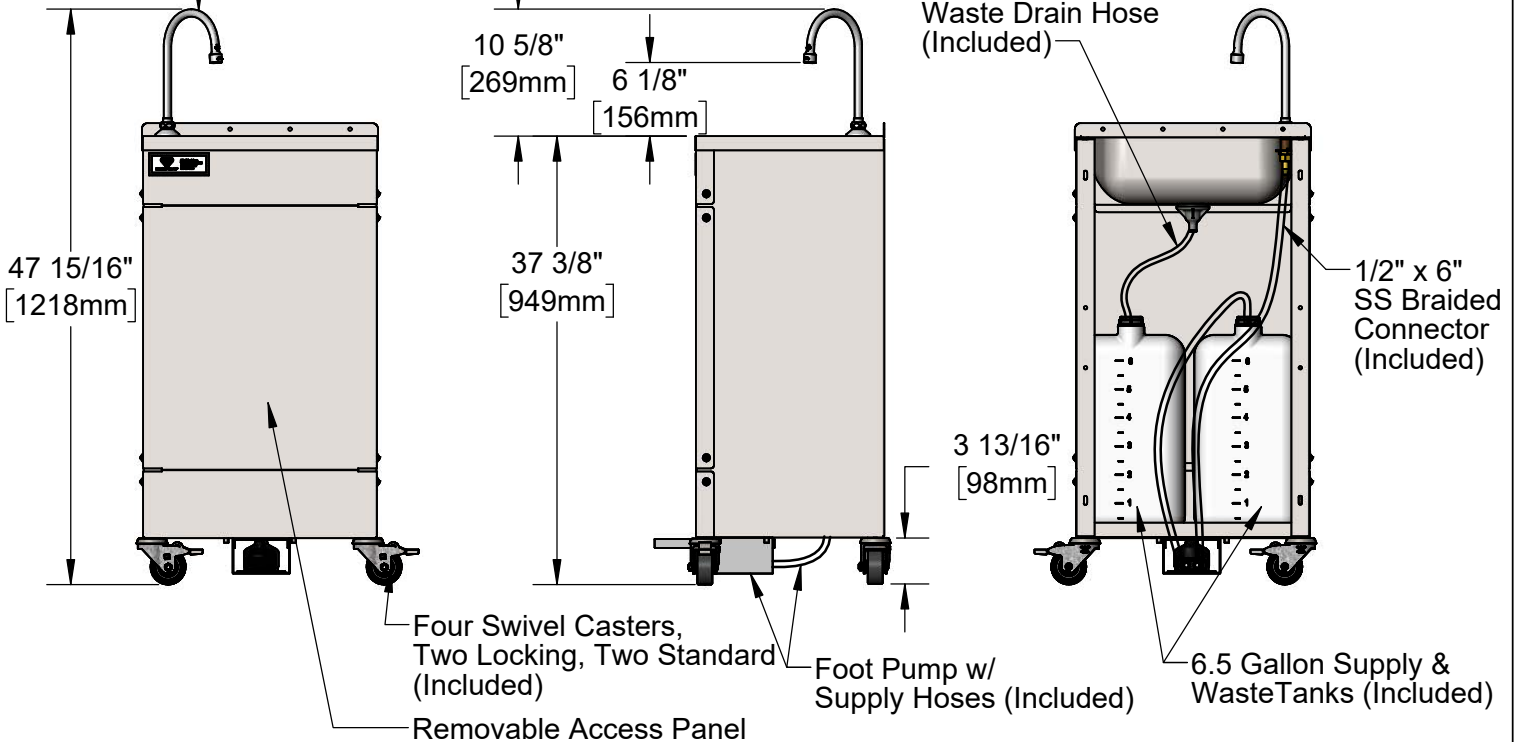
Architect/Engineer _____



Removable Grid Strainer

Trapezoidal Bowl

Deck Mount
B-0520-VF05
5 3/4" Swivel Gooseneck
w/ 0.5 GPM VR Non-Aerated
Spray Device. Rigid
Conversion Requires 014200-45
Lock Washer (Included)



Four Swivel Casters,
Two Locking, Two Standard
(Included)

Removable Access Panel

Foot Pump w/
Supply Hoses (Included)

6.5 Gallon Supply &
Waste Tanks (Included)

1/2" x 6"
SS Braided
Connector
(Included)

Product Specifications:

Portable Handwashing Station w/ Self-Contained Water Supply & Drainage, Deck Mount Swivel/Rigid Dummy Gooseneck w/ 0.5 GPM Vandal Resistant Non-Aerated Spray Device, Swivel Casters and Foot Pump

Product Compliance:

ASME A112.18.1 / CSA B125.1
NSF 372 (Low Lead Content)
NSF 61 Exempt (Non-Potable)



T&S BRASS AND BRONZE WORKS, INC.

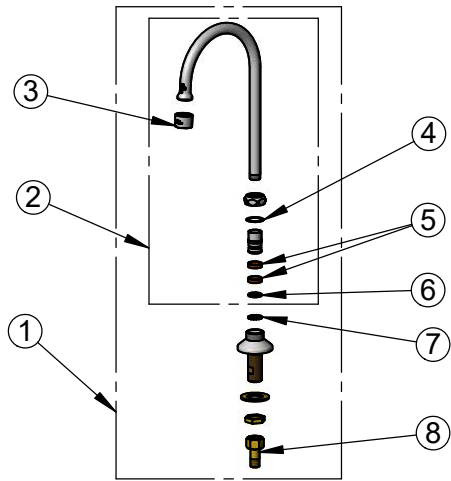
2 Saddleback Cove / P.O. Box 1088
Travelers Rest, SC 29690

Model No.

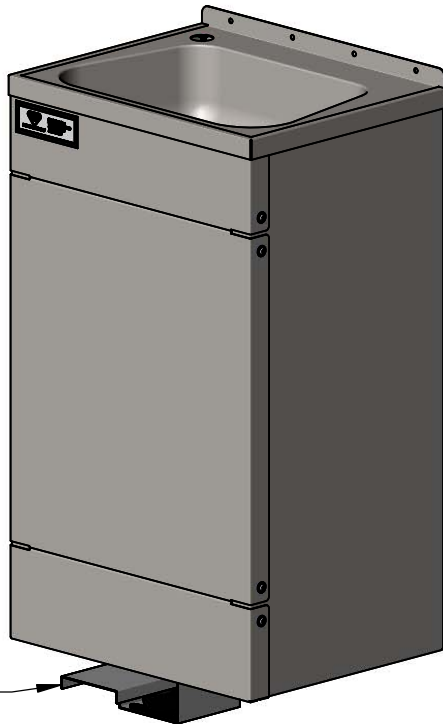
TPS1010-B0520V5

Item No.

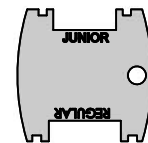
Travelers Rest, SC: 800-476-4103 • Simi Valley, CA: 800-423-0150 • Fax: 864-834-3518 • www.tsbrass.com



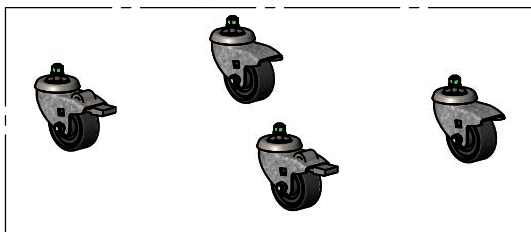
ITEM NO.	SALES NO.	DESCRIPTION
1	B-0520-VF05	Deck Mount 5 3/4" Dummy Gooseneck w/ 0.5 GPM VR Non-Aerated Spray Device
2	133X-V05	5 3/4" Swivel Gooseneck w/ 0.5 GPM VR Non-Aerated Spray Device
3	B-0199-06-N05	0.5 GPM VR Non-Aerated Spray Device, 55/64-27 Female
4	009538-45	Swivel Washer
5	011429-45	Swivel Sleeves (2)
6	001074-45	O-Ring
7	014200-45	Star Washer, Anti-Rotation
8	150A	1/4" NPT Tailpiece
9	TPS1000-CS	4 Swivel Casters, 2 Locking, 2 Standard



(2) 6.5 Gallon Fresh and Waste Tanks Included



015425-45
VR Aerator Key



Product Specifications:

Portable Handwashing Station w/ Self-Contained Water Supply & Drainage, Deck Mount Swivel/Rigid Dummy Gooseneck w/ 0.5 GPM Vandal Resistant Non-Aerated Spray Device, Swivel Casters and Foot Pump

Product Compliance:

ASME A112.18.1 / CSA B125.1
NSF 372 (Low Lead Content)
NSF 61 Exempt (Non-Potable)