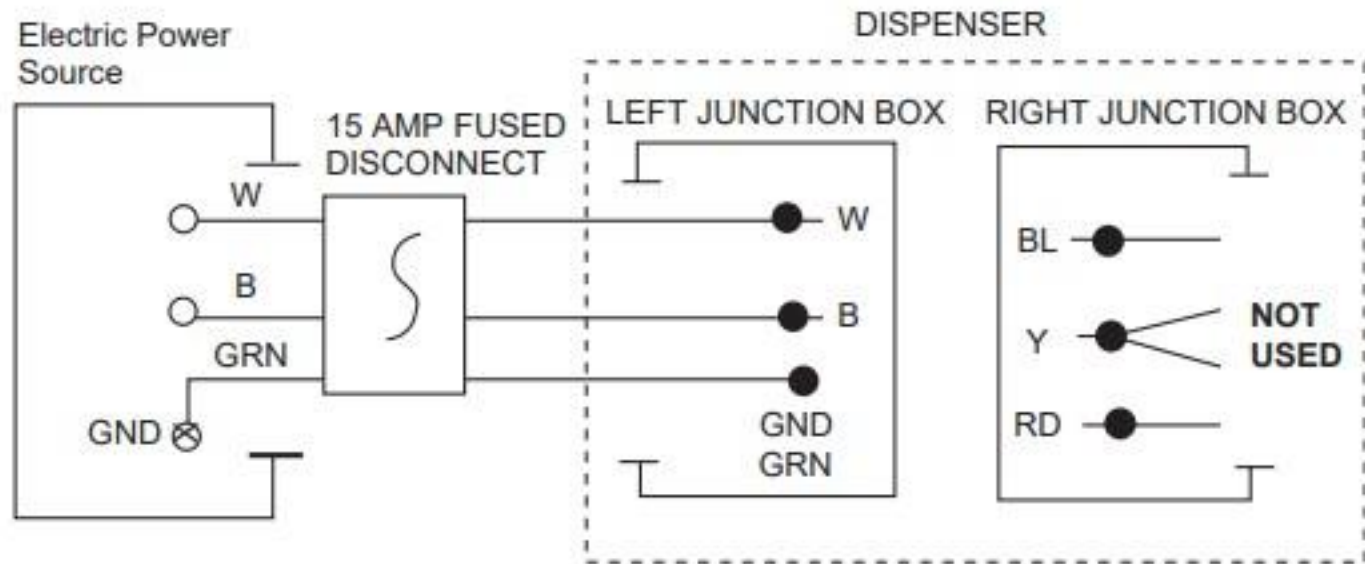
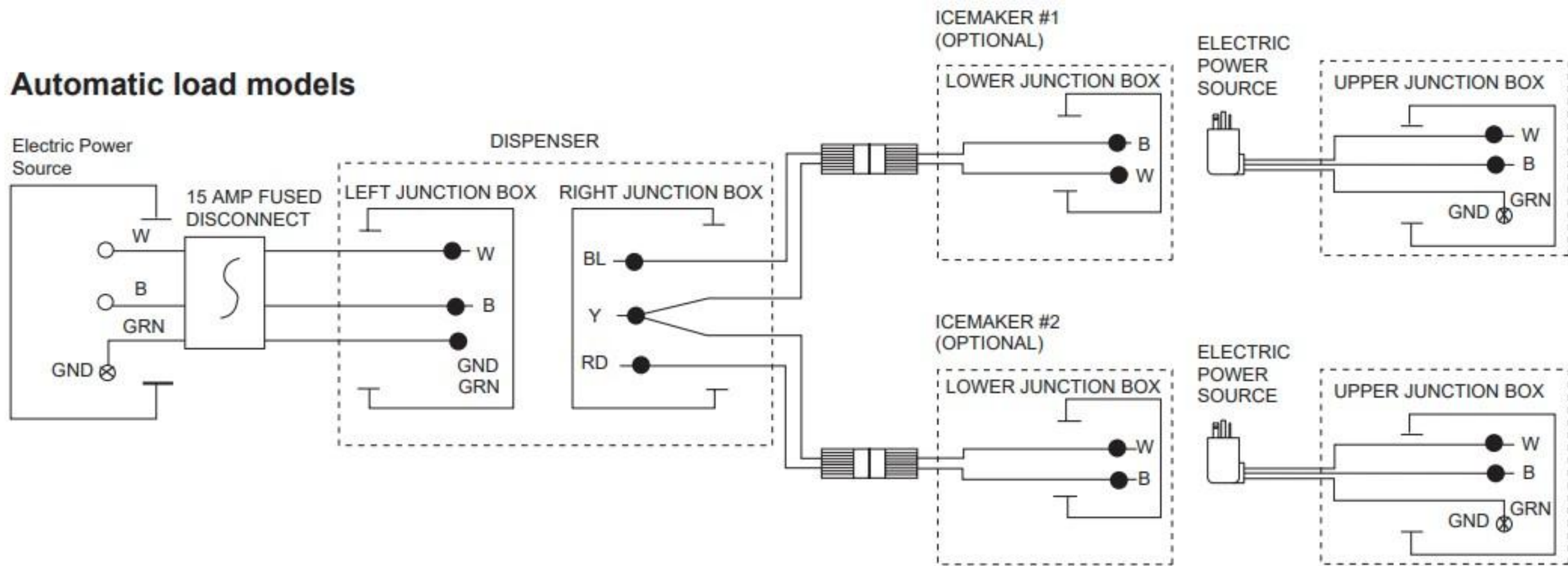


Manual load models



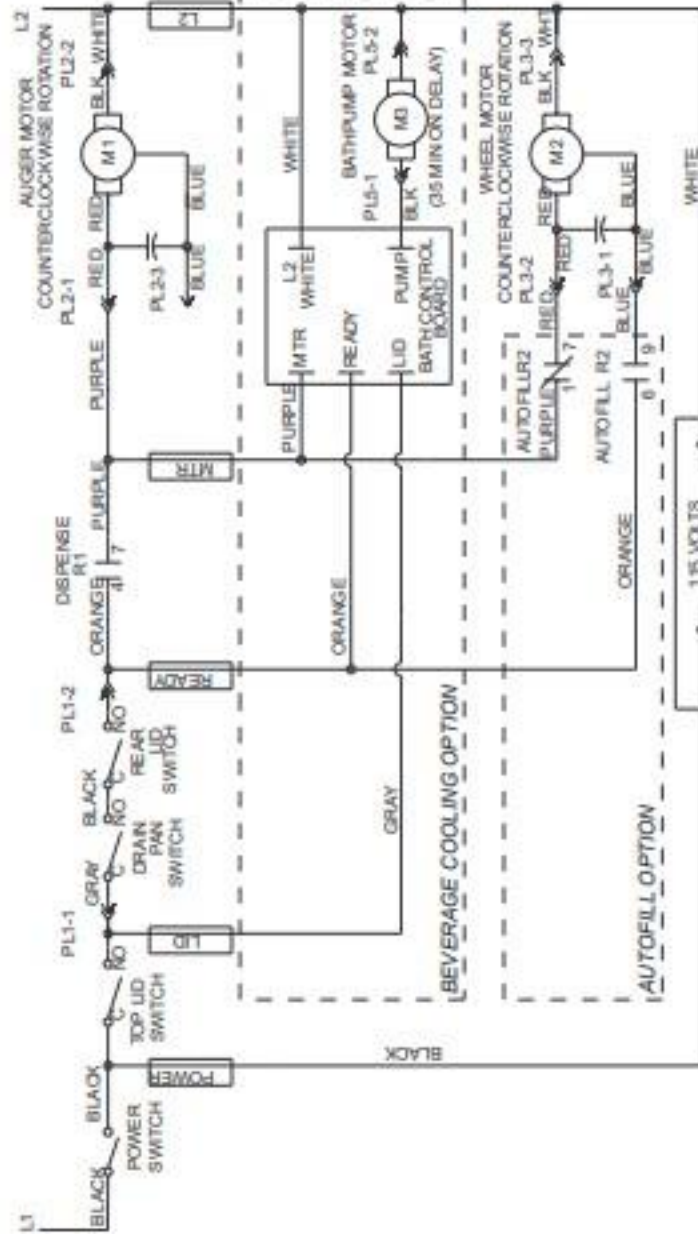
LEGEND	
●	WIRENUT FIELD CONNECTIONS
⊗	EQUIPMENT GROUND
B	BLACK
W	WHITE
GRN	GREEN
BL	BLUE
Y	YELLOW
RD	RED

Automatic load models

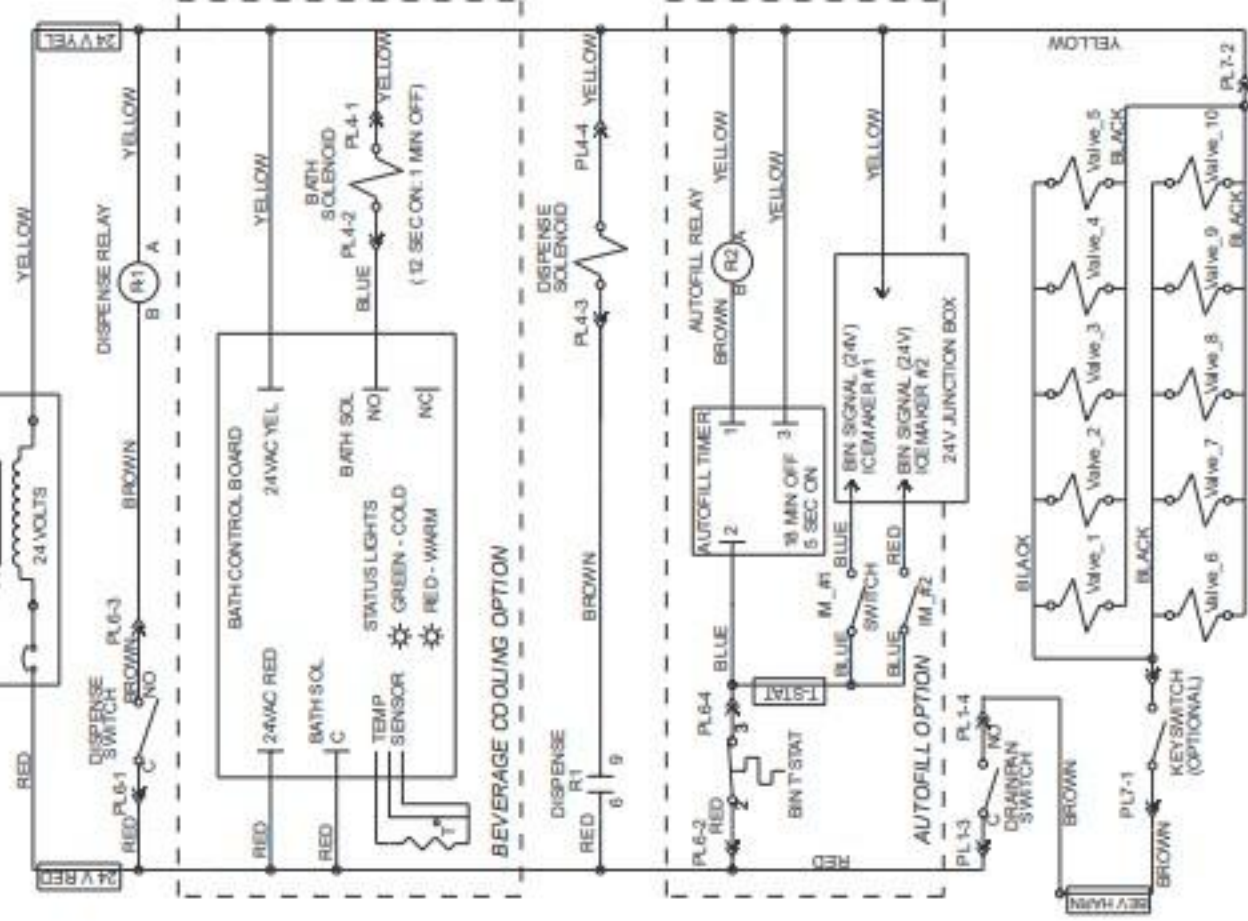
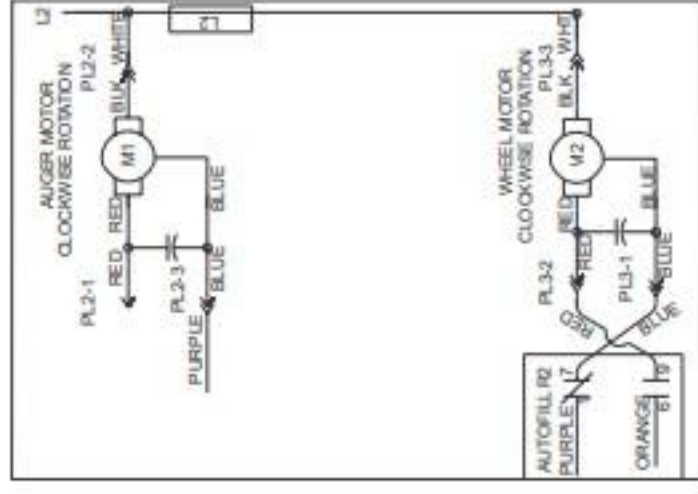


Wiring diagram

Right hand unit



Left hand unit



LEGEND

