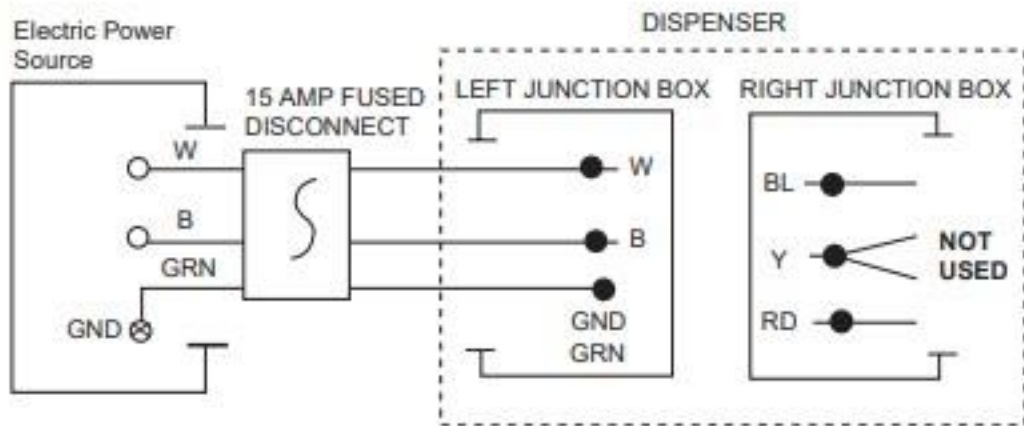


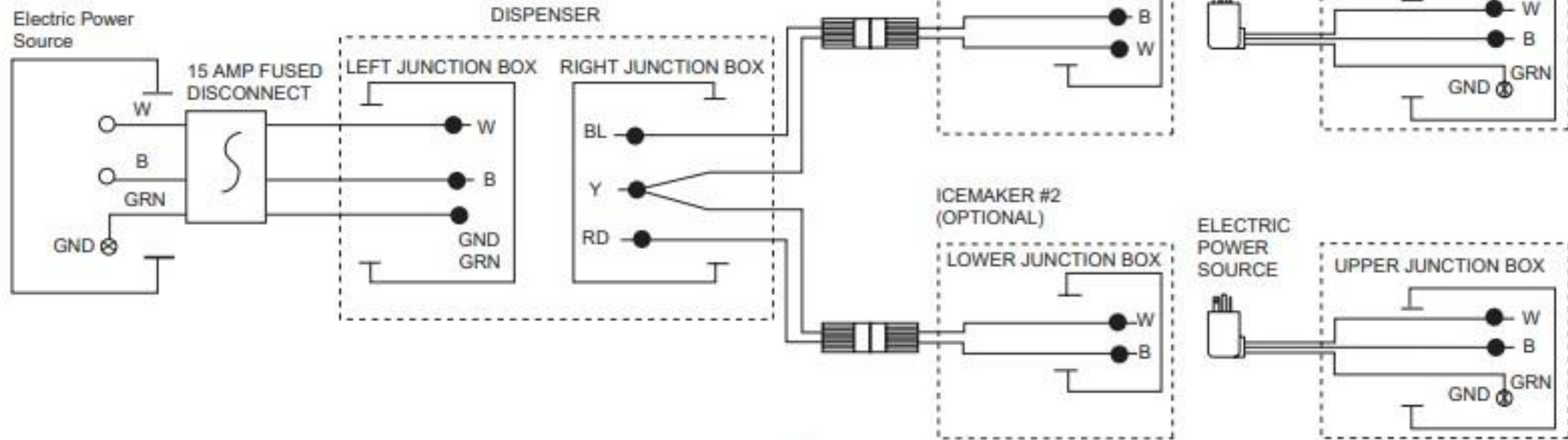
## Manual load models



### LEGEND

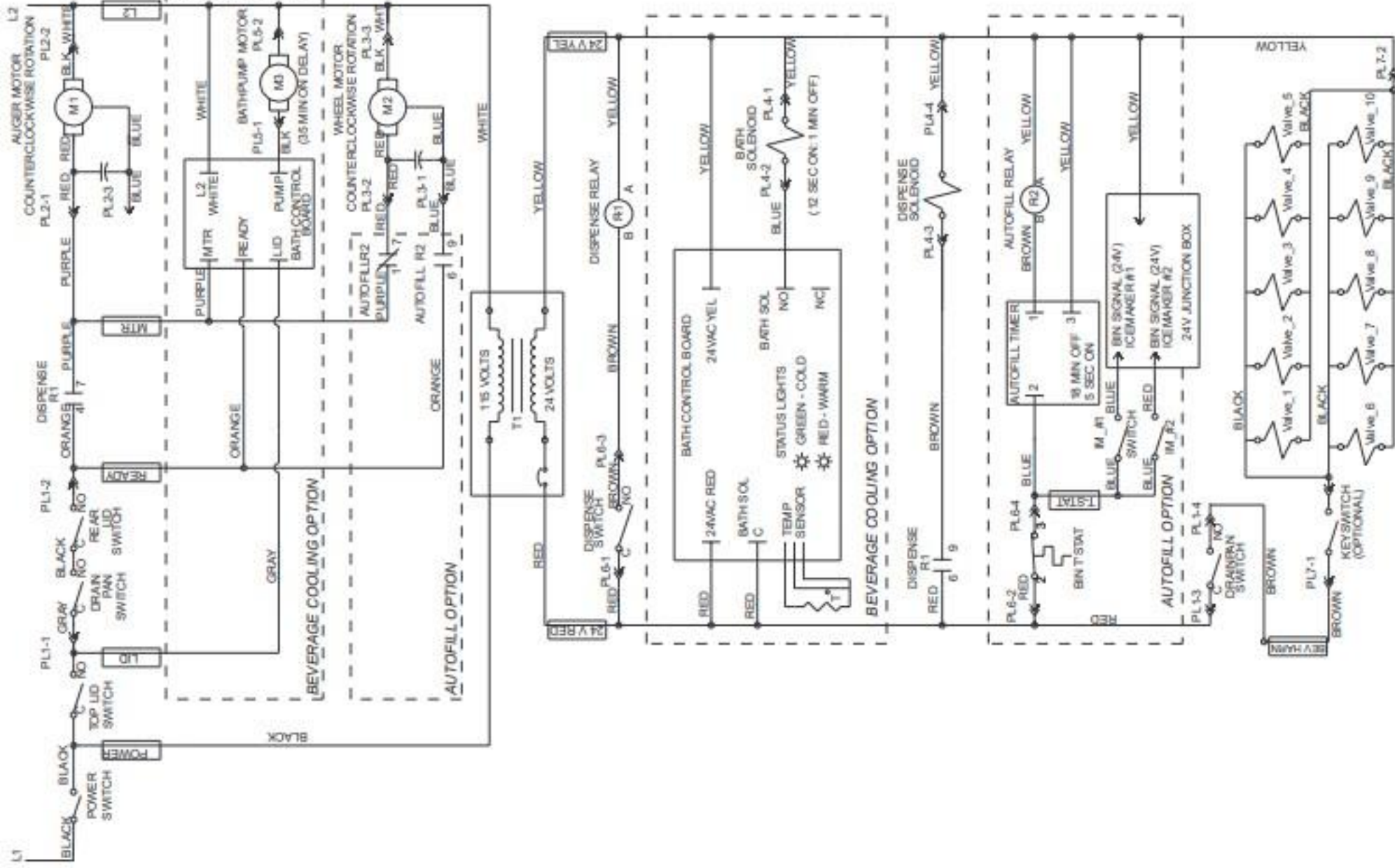
●	WIRENUT FIELD CONNECTIONS
⊗	EQUIPMENT GROUND
B	BLACK
W	WHITE
GRN	GREEN
BL	BLUE
Y	YELLOW
RD	RED

## Automatic load models



# Wiring diagram

## Right hand unit



## Left hand unit

