

**TRADITIONAL COFFEE APPLIANCE
MACHINE A CAFÉ TRADITIONNELLE**



STELLA EPIC

PNCs List:

PNC	MODEL	REF	DESCRIPTION	NOTE
602290	ESN2ADKMK6BCS20	a	STELLA EPIC Std 50hz - 2 Groups - DOSAMAT Keyboard	
602679	ESN2AAKMKMBES01	b	STELLA EPIC Std 50hz - 2 Groups - Shiny White	
602680	ESN2ADKMKMBES01	c	STELLA EPIC Std 50hz - 2 Groups - DOSAMAT Keyboard - Shiny White	
602681	ESN2AAKMKMNES01	d	STELLA EPIC Std 50hz - 2 Groups - Shiny Black	
602682	ESN2ADKMKMNES01	e	STELLA EPIC Std 50hz - 2 Groups - DOSAMAT Keyboard - Shiny Black	
602683	ESN3AAKMKMBES01	f	STELLA EPIC Std 50hz - 3 Groups - Shiny White	
602685	ESN3AAKMKMNES01	g	STELLA EPIC Std 50hz - 3 Groups - Shiny Black	
602686	ESN3ADKMKMNES01	h	STELLA EPIC Std 50hz - 3 Groups - DOSAMAT Keyboard - Shiny Black	
602899	ESN2AAKMKMVES01	i	STELLA EPIC Std 50hz - 2 Groups - Shiny Green	
602900	ESN2ADKMKMVES01	j	STELLA EPIC Std 50hz - 2 Groups - DOSAMAT Keyboard - Shiny Green	
602901	ESN3AAKMKMVES01	k	STELLA EPIC Std 50hz - 3 Groups - Shiny Green	
602902	ESN3ADKMKMVES01	l	STELLA EPIC Std 50hz - 3 Groups - DOSAMAT Keyboard - Shiny Green	
602903	ESN2AAKMKMRES01	m	STELLA EPIC Std 50hz - 2 Groups - Shiny Red	
602904	ESN2ADKMKMRES01	n	STELLA EPIC Std 50hz - 2 Groups - DOSAMAT Keyboard - Shiny Red	
602905	ESN3AAKMKMRES01	o	STELLA EPIC Std 50hz - 3 Groups - Shiny Red	
602906	ESN3ADKMKMRES01	p	STELLA EPIC Std 50hz - 3 Groups - DOSAMAT Keyboard - Shiny Red	
602937	EMN3ADKMKHSNS14	q	STELLA EPIC UNIC USA - 3 Groups - DOSAMAT Keyboard - Special Color	
602955	ESN2AAKMKHBNS14	r	STELLA EPIC UNIC USA - 2 Groups - Shiny White	
602956	ESN2AAKMKHNNS14	s	STELLA EPIC UNIC USA - 2 Groups - Shiny Black	
602957	ESN3AAKMKHBNS14	t	STELLA EPIC UNIC USA - 3 Groups - Shiny White	
602958	ESN3AAKMKHNNS14	u	STELLA EPIC UNIC USA - 3 Groups - Shiny Black	
602959	ESN2ADKMKHBNS14	v	STELLA EPIC UNIC USA - 2 Groups - DOSAMAT Keyboard - Shiny White	
602960	ESN2ADKMKHNNS14	w	STELLA EPIC UNIC USA - 2 Groups - DOSAMAT Keyboard - Shiny Black	
602961	ESN3ADKMKHBNS14	x	STELLA EPIC UNIC USA - 3 Groups - DOSAMAT Keyboard - Shiny White	
602962	ESN3ADKMKHNNS14	y	STELLA EPIC UNIC USA - 3 Groups - DOSAMAT Keyboard - Shiny Black	
602963	ESN2AAKMKHRNS14	z	STELLA EPIC UNIC USA - 2 Groups - Shiny Red	
602964	EMN2AAKMKHSNS14	a1	STELLA EPIC UNIC USA - 2 Groups - Special Color	
602965	ESN3AAKMKHRNS14	b1	STELLA EPIC UNIC USA - 3 Groups - Shiny Red	
602966	EMN3AAKMKHSNS14	c1	STELLA EPIC UNIC USA - 3 Groups - Special Color	
602982	ESN2AAKMKQNES03	d1	STELLA EPIC EXPORT - 2 Groups - Shiny Black	
602983	ESN2ADKMKQVES03	e1	STELLA EPIC EXPORT - 2 Groups - DOSAMAT Keyboard - Shiny Green	
602984	ESN3AAKMKQNES03	f1	STELLA EPIC EXPORT - 3 Groups - Shiny Black	
602985	ESN3ADKMKQVES03	g1	STELLA EPIC EXPORT - 3 Groups - DOSAMAT Keyboard - Shiny Green	

602986	EMN2ADUMSMNES03	h1	STELLA EPIC - 2 Groups - DOSAMAT Keyboard - Steamair - Shiny Black	
602987	EXN2ADKMKMSES03	i1	STELLA EPIC - 2 Groups - DOSAMAT Keyboard - Special Color	
604047	ESN2AAKMKHNS21	j1	EPIC 2 MONO220V 6KW UL/NSF NOIR BRILL	
604048	ESN3AAKMKHBNS21	k1	EPIC 3 MONO220V 6KW UL/NSF WHITE	
604049	ESN2AAKMKHBNS21	l1	EPIC 2 MONO220V 6KW UL/NSF WHITE	
604056	ESN3ADKMKMNES25	m1	STELLA EPIC Std 50hz - 3 Groups - DOSAMAT Keyboard - Shiny Black	
604057	ESN2ADKMKMNES25	n1	STELLA EPIC Std 50hz - 2 Groups - DOSAMAT Keyboard - Shiny Black	

1XX	Page	HABILLAGE	MACHINE CASNG
110	4	HABILLAGE EPIC	EPIC CASING
111	6	PERSONNALISATION	PERSONNALIZATION
112	8	ENSEMBLE BASSINE	OVERFLOW TRAY
120	10	CALANDRE EPIC	EPIC FRONT PANEL
2XX		SORTIES EXTÉRIEURES	EXTERNAL OUPUT
200	12	ÉLECTROVANNE SORTIE VAPEUR	STEAM OULTET ELECTROVALVE
201	14	ENSEMBLE SORTIE VAPEUR ROBINET	STEAM OUTLET STAINLESS STEEL
215	16	SORTIE VAPEUR COLD TOUCH	COLD TOUCH STEAM OUTLET
238	18	SORTIE STEAMAIR	STEAMAIR OUTLET
250	20	TUBE, MITIGEUR & EV SORTIE EAU CHAUDE	PIPE, MIXER & EV HOT WATER OUTLET
261	22	SORTIE EAU CHAUDE	HOT WATER OUTLET
3XX		HYDRAULIQUE	HYDRAULIC CIRCUIT
302	24	CIRCUIT HYDRAULIQUE 2GR	HYDRAULIC CIRCUIT 2GR
303	26	CIRCUIT HYDRAULIQUE 3GR	HYDRAULIC CIRCUIT 3GR
325	28	POMPES 200L	200L PUMPS
330	30	NOURRICE D'ALIMENTATION	WATER FEEDING UNIT
331	32	DOSEURS D'ALIMENTATION	WATER DOSING UNIT
340	34	CHAUDIÈRE EPIC	EPIC BOILER
341	36	CHAUDIÈRE CAFÉ	COFFEE BOILER
345	38	GROUPE CAFÉ	COFFEE GROUP
350	40	BOITE DE DÉCOMPRESSION	DRAIN BOX
4XX		CIRCUIT CAFÉ	COFFEE SYSTEM
494	42	PORTE FILTRE AVEC CAPTEUR	FILTER HOLDER WITH SENSOR
497	44	PORTE FILTRE AVEC RFID	FILTER HOLDER WITH RFID
498	46	PORTE FILTRE POIGNÉE LONGUE	FILTER HOLDER LONG HANDLE
5XX		ÉLECTRONIQUE	ELECTRONIC SYSTEM
500	48	COMPOSANTS ÉLECTRIQUES	ELECTRICAL COMPONENTS
510	50	TABLEAU DE RACCORDEMENT ÉLECTRIQUE	ELECTRIC CONNECTION PANEL
520	52	CONNECTEURS & FUSIBLES CARTE MÈRE	MOTHERBOARD CONNECTORS & FUSES
521	54	CÂBLES & CONNECTEURS CALANDRE	CONNECTORS & WIRES FRONT PANEL
530	56	LISTES DES CÂBLES	ELECTRICAL WIRES LISTING
6XX		OPTION/KIT	OPTION/KIT
600	58	ACCESSOIRES	ACCESSORIES
601	60	PORTES FILTRES CUSTOM	CUSTOM FILTER HOLDER

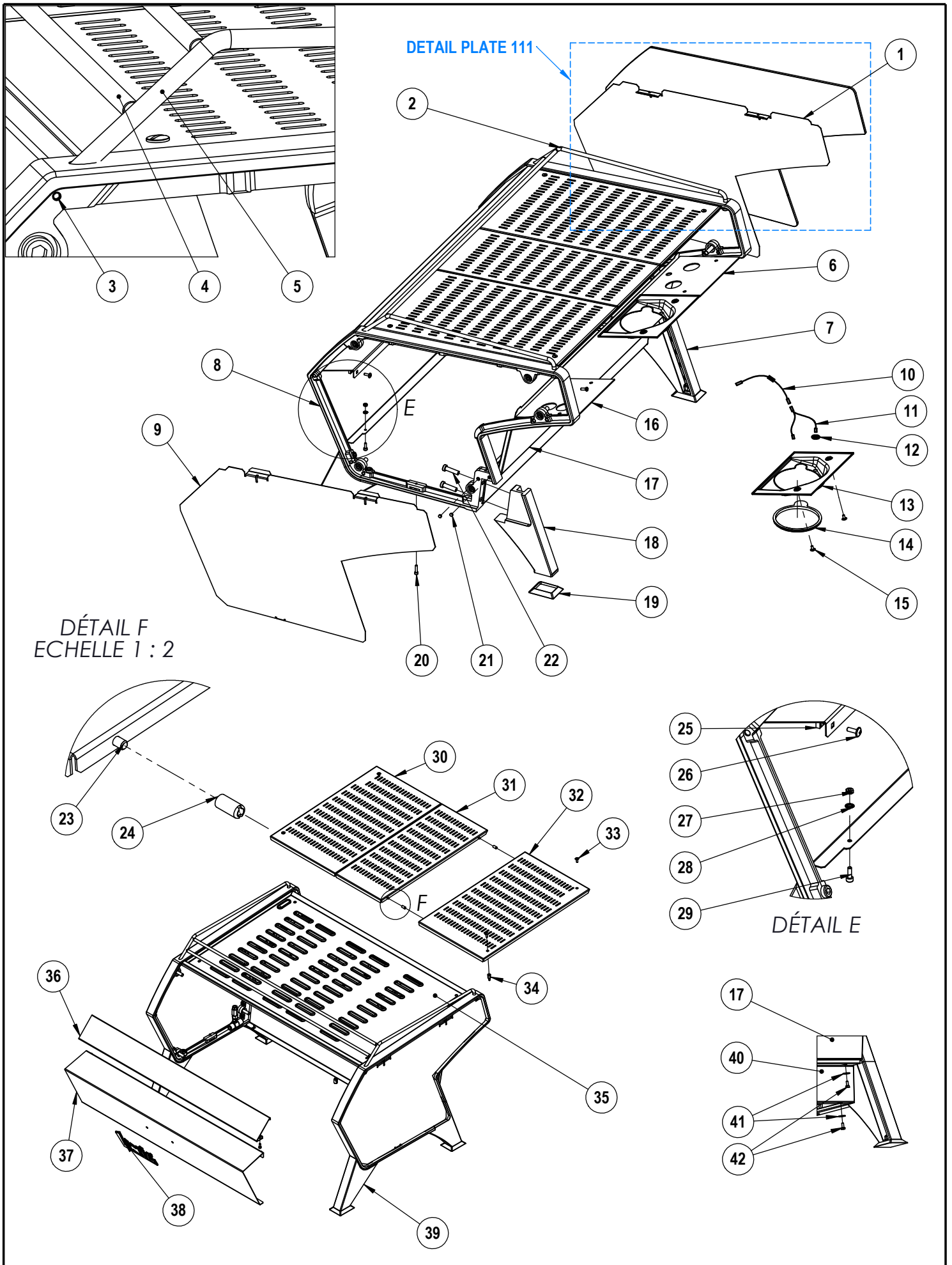
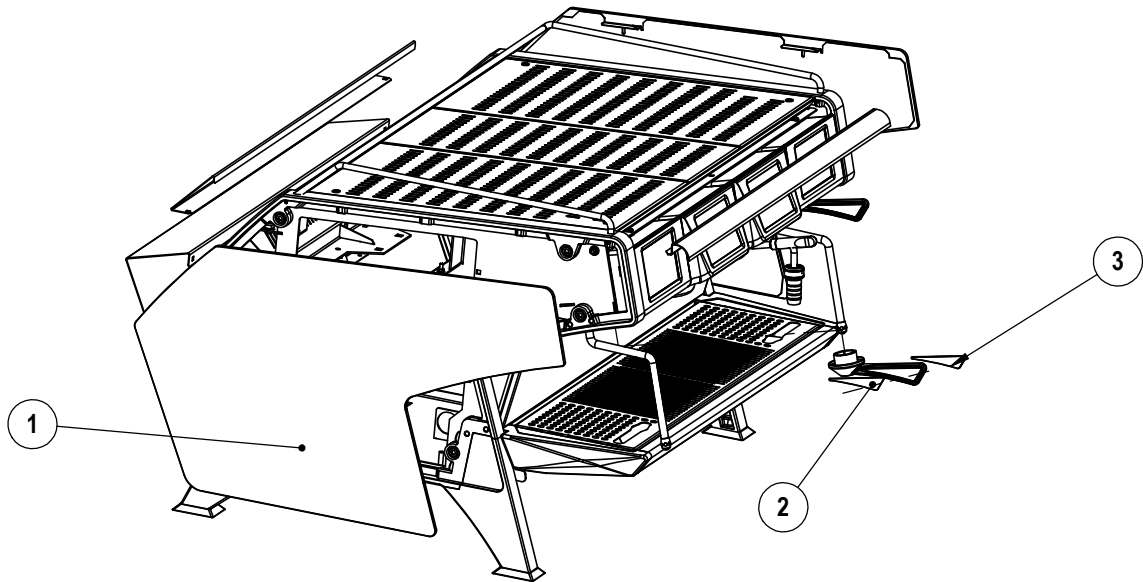


PLANCHE - PLATE 110

Pos.	Fact. code	Code	Description FR	Description GB	V	W&T	REF.	NOTES	S/N BREAK
1	SE2071	0UNHJM	SUPPORT DE PIECE COTE DROIT	RIGHT HOLDER SIDE					
2	SE3019		BARRIERE COTE CHAUFFE TASSES DROITE	RIGHT FENCE CUP WARMER					
3	DV190	0UNDY2	VIS STHC M4 X 6 BOUT POINTU	SCREW STHC M4 X 6					
4	SE3028	0UNHJS	BARRIERE ARRIERE CHAUFFE TASSES 2GR	2 UNITS REAR FENCE CUP WARMER			abc;d;e;j;m;n;r;s;v;w;z; a1;d1;e1;h1;i1;j1;l1;n1		
4	SE3038	0UNHJY	BARRIERE ARRIERE CHAUFFE TASSES 3GR	3 UNITS REAR FENCE CUP WARMER			f;g;h;k;l;o;p;q;t;u;x;y;b1; c1;f1;g1;k1;m1		
5	SE3018	0UNHJN	BARRIERE COTE CHAUFFE TASSES GAUCHE	LEFT FENCE CUP WARMER					
6	SE4011	0UNHNA	CACHE SORTIES EXTERIEURES D, (ROBINET)	RIGHT COVER OUTLET FOR TAP			abc;d;e;f;g;h;i;j;k;l;m;n;o; p;q;r;s;t;u;v;w;x;y;z;a1; b1;c1;d1;e1;f1;g1;i1;j1; k1;l1;m1;n1		
6	SE4012	0UNHNB	CACHE SORTIES EXTERIEURES D, (STEAMAIR)	RIGHT COVER OUTLET FOR STEAMAIR			h1		
7	SE7002	0UNHNX	PIED AVANT DROIT	RIGHT FRONT FOOT					
7	SE7052		PIED AVANT DROIT NOIR	BLACK RIGHT FRONT FOOT					
8	SE7000	0UNHNV	COTE STELLA EN INJECTION	SIDE EPIC					
8	SE7050		COTE STELLA EN INJECTION NOIR	BLACK SIDE EPIC					
9	SE2070	0UNHJL	SUPPORT DE PIECE COTE GAUCHE	LEFT HOLDER SIDE					
10	NZ8053	0UNBPW	CABLE POUR LED GROUPE- EV	UNIT-EV CABLE FOR LED					
11	NZ8054	0UN070	CABLE LED GROUPE	LED UNIT CABLE					
12	CN2660	0UNDTB	JOINT TORIQUE 1.78X6.75 EPDM	O-RING 1,78X6,75 EPDM					
13	NZ7030	0UNG3R	CACHE GROUPE	UNIT COVER					
14	DV164	0UNDXS	JOINT POUR JUPETTE NSF	GASKET COVER					
14	DV165	0UNBXF	JOINT POUR JUPETTE NSF CAPTEUR	GASKET COVER SENSOR					
15	50125	0UNA68	VIS TB CRUCIFORME A EMBASE M4 x 8	CRUCIFORM SCREW M4 x 8				MOQ=50	
16	SE4010	0UNHM9	CACHE SORTIE EXTERIEURE GAUCHE	LEFT COVER OUTLET					
17	SE3020		DEVANT 2 GROUPES	2 UNITS FRONT			abc;d;e;j;m;n;r;s;v;w;z; a1;d1;e1;h1;i1;j1;l1;n1		
17	SE3030		DEVANT 3 GROUPES	3 UNITS FRONT			f;g;h;k;l;o;p;q;t;u;x;y;b1; c1;f1;g1;k1;m1		
18	SE7001	0UNHNW	PIED AVANT GAUCHE	LEFT FRONT FOOT					
18	SE7051		PIED AVANT GAUCHE NOIR	BLACK LEFT FRONT FOOT					
19	SE7024	0UNBVQ	BASE PIED CAOUTCHOUC	FOOT BASE					
20	CN489	0UNA09	VIS INOX CHC 4 x 16	SCREW M4 X 16					
21	53825	0UNA3G	AIMANT CYLINDRIQUE D6x4	CYLINDRIC MAGNET D6x4					
22	50410	0UNDL	VIS TC HC TETE BASSE M8x30	SCREW M8X30					
23	CN325	0UN284	VIS INOX TC 4 x 6	SCREW M4 X 6					
24	51054	0UN924	ECROU LONG M4	LONG NUT M4					
25	CN661	0UN184	ECROU CAGE M4, EP 1/1.6	INSERT NUT M4					
26	50126	0UN615	VIS TB CRUCIFORME A EMBASE M4 x 12	CRUCIFORM SCREW M4 x 12				MOQ=50	
27	PG14	0UN277	ECROU M4	NUT M4					
28	CN343	0UNA3M	RONDELLE EVENTAIL 4	WASHER 4					
29	M180	0UN944	VIS TCHC M4x12 INOX	SCREW M4 X 12					
30	SE3049		VERRIERE DROITE	RIGHT CUP RACK					
31	SE3047		VERRIERE MILIEU	MIDDLE CUP RACK			f;g;h;k;l;o;p;q;t;u;x;y;b1; c1;f1;g1;k1;m1		
32	SE3048		VERRIERE GAUCHE	LEFT CUP RACK					
33	CN694	0UN186	VIS POELIER M 4 X 12 INOX	SCREW M4 X 12					
34	50113	0UNA10	COLONNETTE M-F M4X13	SPACER M-F M4X13					
35	SE3022		CHAUFFE TASSES 2GR	2 UNITS CUP WARMER			abc;d;e;j;m;n;r;s;v;w;z; a1;d1;e1;h1;i1;j1;l1;n1		
35	SE3032		CHAUFFE TASSES 3GR	3 UNITS CUP WARMER			f;g;h;k;l;o;p;q;t;u;x;y;b1; c1;f1;g1;k1;m1		
36	SE3024	0UNHJP	ARRIERE CHAUFFE TASSES 2GR	2 UNITS CUP WARMER BACK			abc;d;e;j;m;n;r;s;v;w;z; a1;d1;e1;h1;i1;j1;l1;n1		
36	SE3034	0UNHJV	ARRIERE CHAUFFE TASSES 3GR	3 UNITS CUP WARMER BACK			f;g;h;k;l;o;p;q;t;u;x;y;b1; c1;f1;g1;k1;m1		
37	SE3025	0UNHJQ	CHEMISE ARRIERE 2GR	2 UNITS REAR CASING			abc;d;e;j;m;n;r;s;v;w;z; a1;d1;e1;h1;i1;j1;l1;n1		
37	SE3035	0UNHJW	CHEMISE ARRIERE 3GR	3 UNITS REAR CASING			f;g;h;k;l;o;p;q;t;u;x;y;b1; c1;f1;g1;k1;m1		
37	SE3042	0UNHK1	CHEMISE ARRIERE 2GR SANS TROUS	2 UNITS REAR CASING WITHOUT HOLE			abc;d;e;j;m;n;r;s;v;w;z; a1;d1;e1;h1;i1;j1;l1;n1		
37	SE3043	0UNHK2	CHEMISE ARRIERE 3GR SANS TROUS	3 UNITS REAR CASING WITHOUT HOLE			f;g;h;k;l;o;p;q;t;u;x;y;b1; c1;f1;g1;k1;m1		
38	SE7030	0UNHO1	LOGO UNIC VINTAGE	VINTAGE UNIC					
39	SE7003	0UNHNY	PIED ARRIERE	REAR FOOT					
39	SE7053		PIED ARRIERE NOIR	BLACK REAR FOOT					
40	SE3029	0UNHJT	ENJOLIVER ARRIERE BASSINE 2GR	2 UNITS REAR ENJOLIVER BASIN			abc;d;e;j;m;n;r;s;v;w;z; a1;d1;e1;h1;i1;j1;l1;n1		
40	SE3039	0UNHJZ	ENJOLIVER ARRIERE BASSINE 3GR	3 UNITS REAR ENJOLIVER BASIN			f;g;h;k;l;o;p;q;t;u;x;y;b1; c1;f1;g1;k1;m1		
41	51552	0UN616	RONDELLE INOX 4.25x14x0.8	S..STEEL WASHER 4.25x14x0.8					
42	50118	0UNA64	VIS TH M4X10 INOX	S.STEEL SCREW M4X10					

Note:No code →unavailable for spare parts



Gloss White



Gloss Black



Carmine Red



Californian Green



Chêne foncé



Chêne clair



Inox Ondulée

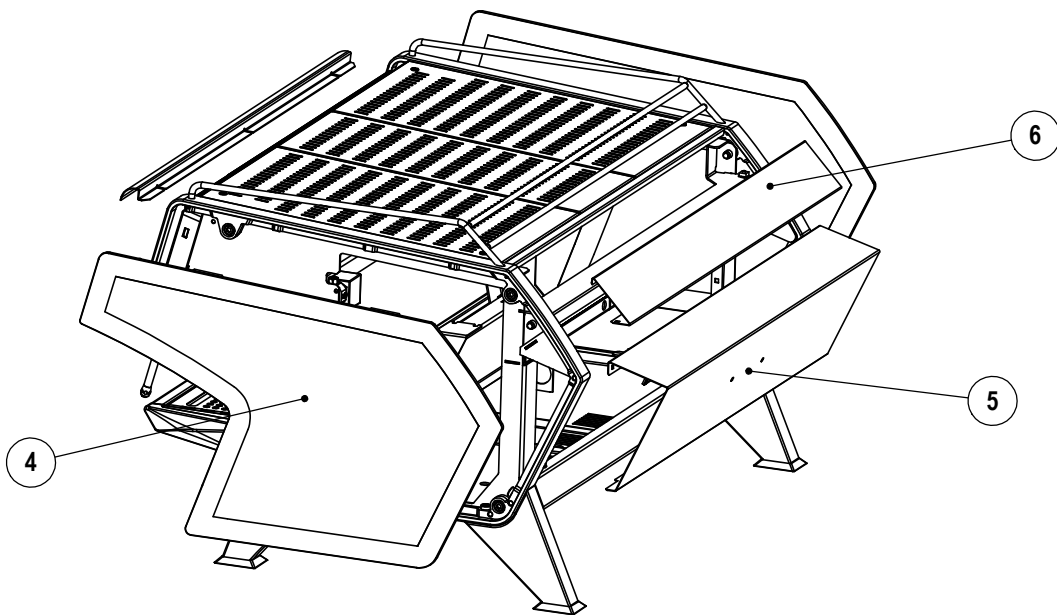
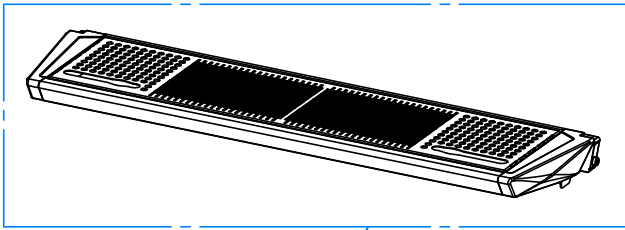


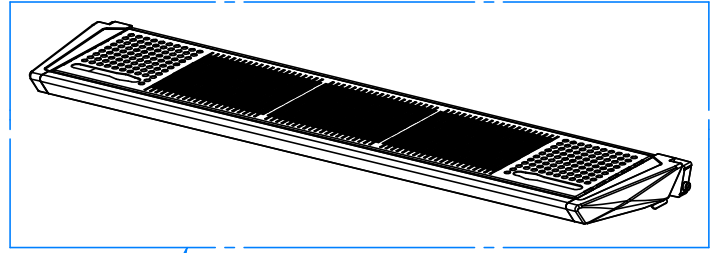
PLANCHE - PLATE 111

Pos.	Fact. code	Code	Description FR	Description GB	V	W&T	REF.	NOTES	S/N BREAK
1	SE3501C		COTE GAUCHE PLEXI "GLOSS WHITE"	LEFT SIDE "GLOSS WHITE"					
1	SE3511C		COTE GAUCHE PLEXI "GLOSS BLACK"	LEFT SIDE "GLOSS BLACK"					
1	SE3521C	0UNHLH	COTE GAUCHE PLEXI "CARMINE RED"	LEFT SIDE "CARMINE RED"					
1	SE3531C	0UNHLO	COTE GAUCHE PLEXI "CALIFORNIAN GREEN"	LEFT SIDE "CALIFORNIAN GREEN"					
1	SE3541C	0UNHLV	COTE GAUCHE PLEXI "CHENE FONCE"	LEFT SIDE "DARK OAK"					
1	SE3551C	0UNHMO	COTE GAUCHE PLEXI "CHENE CLAIR"	LEFT SIDE "LIGHT OAK"					
1	SE3561C		COTE GAUCHE "INOX ONDULE"	LEFT SIDE "WAVY STAINLESS STEEL"					
2	SE4021	0UNBVO	STICKER POIGNEE EPIC GAUCHE NOIR	BLACK STICKER HANDLE LEFT EPIC					
2	SE4021B	0UNHNF	STICKER POIGNEE EPIC GAUCHE BLANC	WHITE STICKER HANDLE LEFT EPIC					
2	SE4021R	0UNHNG	STICKER POIGNEE EPIC GAUCHE ROUGE	RED STICKER HANDLE LEFT EPIC					
2	SE4021V	0UNHNH	STICKER POIGNEE EPIC GAUCHE VERT	GREEN STICKER HANDLE LEFT EPIC					
3	SE4020	0UNBVN	STICKER POIGNEE EPIC DROITE NOIR	BLACK STICKER HANDLE RIGHT EPIC					
3	SE4020B	0UNHNC	STICKER POIGNEE EPIC DROITE BLANC	WHITE STICKER HANDLE RIGHT EPIC					
3	SE4020R	0UNHND	STICKER POIGNEE EPIC DROITE ROUGE	RED STICKER HANDLE RIGHT EPIC					
3	SE4020V	0UNHNE	STICKER POIGNEE EPIC DROITE VERT	GREEN STICKER HANDLE RIGHT EPIC					
4	SE3500C	0UNHK5	COTE DROIT PLEXI "GLOSS WHITE"	RIGHT SIDE "GLOSS WHITE"					
4	SE3510C	0UNHLC	COTE DROIT PLEXI "GLOSS BLACK"	RIGHT SIDE "GLOSS BLACK"					
4	SE3520C	0UNHLF	COTE DROIT PLEXI "CARMINE RED"	RIGHT SIDE "CARMINE RED"					
4	SE3530C	0UNHLM	COTE DROIT PLEXI "CALIFORNIAN GREEN"	RIGHT SIDE "CALIFORNIAN GREEN"					
4	SE3540C	0UNHLU	COTE DROIT PLEXI "CHENE FONCE"	RIGHT SIDE "DARK OAK"					
4	SE3550C	0UNHLZ	COTE DROIT PLEXI "CHENE CLAIR"	RIGHT SIDE "LIGHT OAK"					
4	SE3560C		COTE DROIT "INOX ONDULE"	RIGHT SIDE "WAVY STAINLESS STEEL"					
5	SE3502	0UNHK8	CHEMISE ARRIERE 2GR "GLOSS WHITE"	2 UNITS REAR CASING "GLOSS WHITE"			a,b,c,d,e,i,j,m,n,r,s,v,w,z; a1,d1,e1,h1,i1,j1,l1,n1		
5	SE3503	0UNHK9	CHEMISE ARRIERE 3GR "GLOSS WHITE"	3 UNITS REAR CASING "GLOSS WHITE"			f,g,h,k,l,o,p,q,t,u,x,y;b1; c1,f1,g1,k1,m1		
5	SE3512	0UNBPM	CHEMISE ARRIERE 2GR "GLOSS BLACK"	2 UNITS REAR CASING "GLOSS BLACK"			a,b,c,d,e,i,j,m,n,r,s,v,w,z; a1,d1,e1,h1,i1,j1,l1,n1		
5	SE3513	0UNHLD	CHEMISE ARRIERE 3GR "GLOSS BLACK"	3 UNITS REAR CASING "GLOSS BLACK"			f,g,h,k,l,o,p,q,t,u,x,y;b1; c1,f1,g1,k1,m1		
5	SE3522	0UNHLJ	CHEMISE ARRIERE 2GR "CARMINE RED"	2 UNITS REAR CASING "CARMINE RED"			a,b,c,d,e,i,j,m,n,r,s,v,w,z; a1,d1,e1,h1,i1,j1,l1,n1		
5	SE3523	0UNHLK	CHEMISE ARRIERE 3GR "CARMINE RED"	3 UNITS REAR CASING "CARMINE RED"			f,g,h,k,l,o,p,q,t,u,x,y;b1; c1,f1,g1,k1,m1		
5	SE3532	0UNHLQ	CHEMISE ARRIERE 2GR "CALIFORNIAN GREEN"	2 UNITS REAR CASING "CALIFORNIAN GREEN"			a,b,c,d,e,i,j,m,n,r,s,v,w,z; a1,d1,e1,h1,i1,j1,l1,n1		
5	SE3533	0UNHLR	CHEMISE ARRIERE 3GR "CALIFORNIAN GREEN"	3 UNITS REAR CASING "CALIFORNIAN GREEN"			f,g,h,k,l,o,p,q,t,u,x,y;b1; c1,f1,g1,k1,m1		
5	SE3542	0UNHLW	CHEMISE ARRIERE 2GR "CHENE FONCE"	2 UNITS REAR CASING "DARK OAK"			a,b,c,d,e,i,j,m,n,r,s,v,w,z; a1,d1,e1,h1,i1,j1,l1,n1		
5	SE3543	0UNHLX	CHEMISE ARRIERE 3GR "CHENE FONCE"	3 UNITS REAR CASING "DARK OAK"			f,g,h,k,l,o,p,q,t,u,x,y;b1; c1,f1,g1,k1,m1		
5	SE3552	0UNHMI	CHEMISE ARRIERE 2GR "CHENE CLAIR"	2 UNITS REAR CASING "LIGHT OAK"			a,b,c,d,e,i,j,m,n,r,s,v,w,z; a1,d1,e1,h1,i1,j1,l1,n1		
5	SE3553	0UNHM2	CHEMISE ARRIERE 3GR "CHENE CLAIR"	3 UNITS REAR CASING "LIGHT OAK"			f,g,h,k,l,o,p,q,t,u,x,y;b1; c1,f1,g1,k1,m1		
6	SE3504	0UNHLA	ARRIERE CHAUFFE TASSES 2GR "GLOSS WHITE"	2 UNITS CUP WARMER BACK "GLOSS WHITE"			a,b,c,d,e,i,j,m,n,r,s,v,w,z; a1,d1,e1,h1,i1,j1,l1,n1		
6	SE3505	0UNHLB	ARRIERE CHAUFFE TASSES 3GR "GLOSS WHITE"	3 UNITS CUP WARMER BACK "GLOSS WHITE"			f,g,h,k,l,o,p,q,t,u,x,y;b1; c1,f1,g1,k1,m1		
6	SE3514		ARRIERE CHAUFFE TASSES 2GR "GLOSS BLACK"	2 UNITS CUP WARMER BACK "GLOSS BLACK"			a,b,c,d,e,i,j,m,n,r,s,v,w,z; a1,d1,e1,h1,i1,j1,l1,n1		
6	SE3515	0UNHLE	ARRIERE CHAUFFE TASSES 3GR "GLOSS BLACK"	3 UNITS CUP WARMER BACK "GLOSS BLACK"			f,g,h,k,l,o,p,q,t,u,x,y;b1; c1,f1,g1,k1,m1		
6	SE3524	0UNHLL	ARRIERE CHAUFFE TASSES 2GR "CARMINE RED"	2 UNITS CUP WARMER BACK "CARMINE RED"			a,b,c,d,e,i,j,m,n,r,s,v,w,z; a1,d1,e1,h1,i1,j1,l1,n1		
6	SE3525		ARRIERE CHAUFFE TASSES 3GR "CARMINE RED"	3 UNITS CUP WARMER BACK "CARMINE RED"			f,g,h,k,l,o,p,q,t,u,x,y;b1; c1,f1,g1,k1,m1		
6	SE3534	0UNHLS	ARR. CHAUFFE TASSES 2GR "CALIFORNIAN GREEN"	2UNITS CUPWARMER BACK CALIFORNIANGREEN			a,b,c,d,e,i,j,m,n,r,s,v,w,z; a1,d1,e1,h1,i1,j1,l1,n1		
6	SE3535	0UNHLT	ARR. CHAUFFE TASSES 3GR "CALIFORNIAN GREEN"	3UNITS CUPWARMER BACK CALIFORNIANGREEN			f,g,h,k,l,o,p,q,t,u,x,y;b1; c1,f1,g1,k1,m1		
6	SE3544	0UNHLY	ARRIERE CHAUFFE TASSES 2GR "CHENE FONCE"	2 UNITS CUP WARMER BACK "DARK OAK"			a,b,c,d,e,i,j,m,n,r,s,v,w,z; a1,d1,e1,h1,i1,j1,l1,n1		
6	SE3545		ARRIERE CHAUFFE TASSES 3GR "CHENE FONCE"	3 UNITS CUP WARMER BACK "DARK OAK"			f,g,h,k,l,o,p,q,t,u,x,y;b1; c1,f1,g1,k1,m1		
6	SE3554	0UNHM3	ARRIERE CHAUFFE TASSES 2GR "CHENE CLAIR"	2 UNITS CUP WARMER BACK "LIGHT OAK"			a,b,c,d,e,i,j,m,n,r,s,v,w,z; a1,d1,e1,h1,i1,j1,l1,n1		
6	SE3555		ARRIERE CHAUFFE TASSES 3GR "CHENE CLAIR"	3 UNITS CUP WARMER BACK "LIGHT OAK"			f,g,h,k,l,o,p,q,t,u,x,y;b1; c1,f1,g1,k1,m1		

Note:No code →unavailable for spare parts



1



2

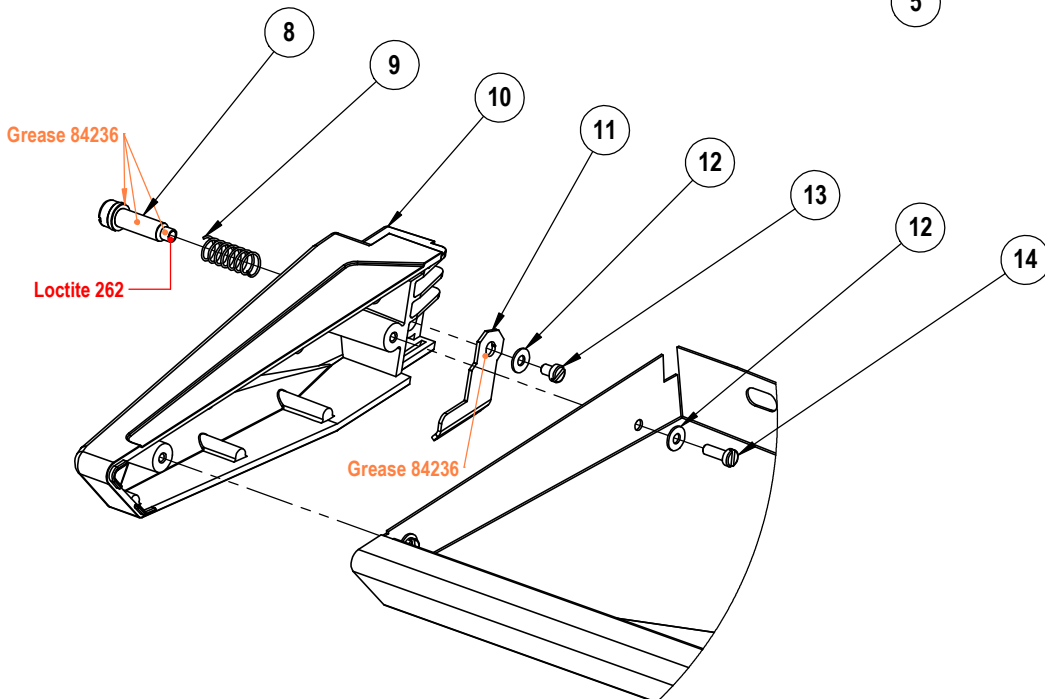
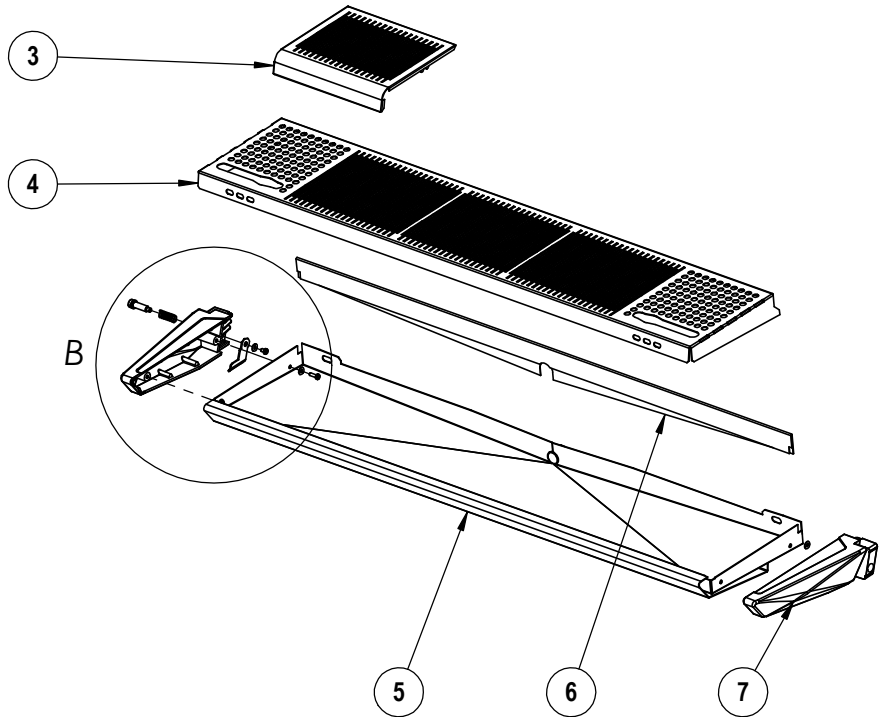


PLANCHE - PLATE 112

Pos.	Fact. code	Code	Description FR	Description GB	V	W&T	REF.	NOTES	S/N BREAK
1	SE1012	0UNHJG	ASSEMBLAGE BASSINE REGLABLE 2GR	2 UNITS ADJUSTABLE OVERFLOW TRAY			a,b,c,d,e,i,j,m,n,r,s,v,w,z; a1;d1,e1,h1,i1,j1,l1,n1		
2	SE1013	0UNHJH	ASSEMBLAGE BASSINE REGLABLE 3GR	3 UNITS ADJUSTABLE OVERFLOW TRAY			f,g,h,k,l,o,p,q,t,u,x,y;b1; c1,f1,g1,k1,m1		
3	NZ2045	0UNFZE	REHAUSSE GRILLE BASSINE	GRID EXTENSION BASIN					
4	SE3027	0UNHJR	GRILLE DE BASSINE 2 GR	2 UNITS GRID			a,b,c,d,e,i,j,m,n,r,s,v,w,z; a1;d1,e1,h1,i1,j1,l1,n1		
4	SE3037	0UNHJX	GRILLE DE BASSINE 3 GR	3 UNITS GRID			f,g,h,k,l,o,p,q,t,u,x,y;b1; c1,f1,g1,k1,m1		
5	SE3002		BASSINE 2GR SOUDEE	2 UNITS WELDED BASIN			a,b,c,d,e,i,j,m,n,r,s,v,w,z; a1;d1,e1,h1,i1,j1,l1,n1		
5	SE3003		BASSINE 3GR SOUDEE	3 UNITS WELDED BASIN			f,g,h,k,l,o,p,q,t,u,x,y;b1; c1,f1,g1,k1,m1		
6	SE3023		HABILLAGE BASSINE 2GR	2 UNITS OVERFLOW TRAY			a,b,c,d,e,i,j,m,n,r,s,v,w,z; a1;d1,e1,h1,i1,j1,l1,n1		
6	SE3033		HABILLAGE BASSINE 3GR	3 UNITS OVERFLOW TRAY			f,g,h,k,l,o,p,q,t,u,x,y;b1; c1,f1,g1,k1,m1		
7	SE7011	0UNHO0	JOUE BASSINE DROITE	RIGHT ORNAMENTAL OVERFLOW TRAY					
8	SE4001	0UNHM6	PIGE VERROU BASSINE	LOCK PIN					
9	28832	0UN407	RESSORT SECURITE	SECURITY SPRING					
10	SE7010	0UNHNZ	JOUE BASSINE GAUCHE	LEFT ORNAMENTAL OVERFLOW TRAY					
11	SE2007	0UNI3K	GACHETTE DROITE REGLAGE BASSINE	RIGHT TRIGGER ADJUSTMENT					
11	SE2008	0UNI3L	GACHETTE GAUCHE REGLAGE BASSINE	LEFT TRIGGER ADJUSTMENT					
12	PG15B	0UNA3S	RONDELLE INOX 4.2X10X0.8	WASHER					
13	CN325	0UN284	VIS INOX TC 4 x 6	SCREW M4 X 6					
14	DO195	0UNA1L	VIS ACIER INOX TC 4 X 12	SCREW M4 X 12					

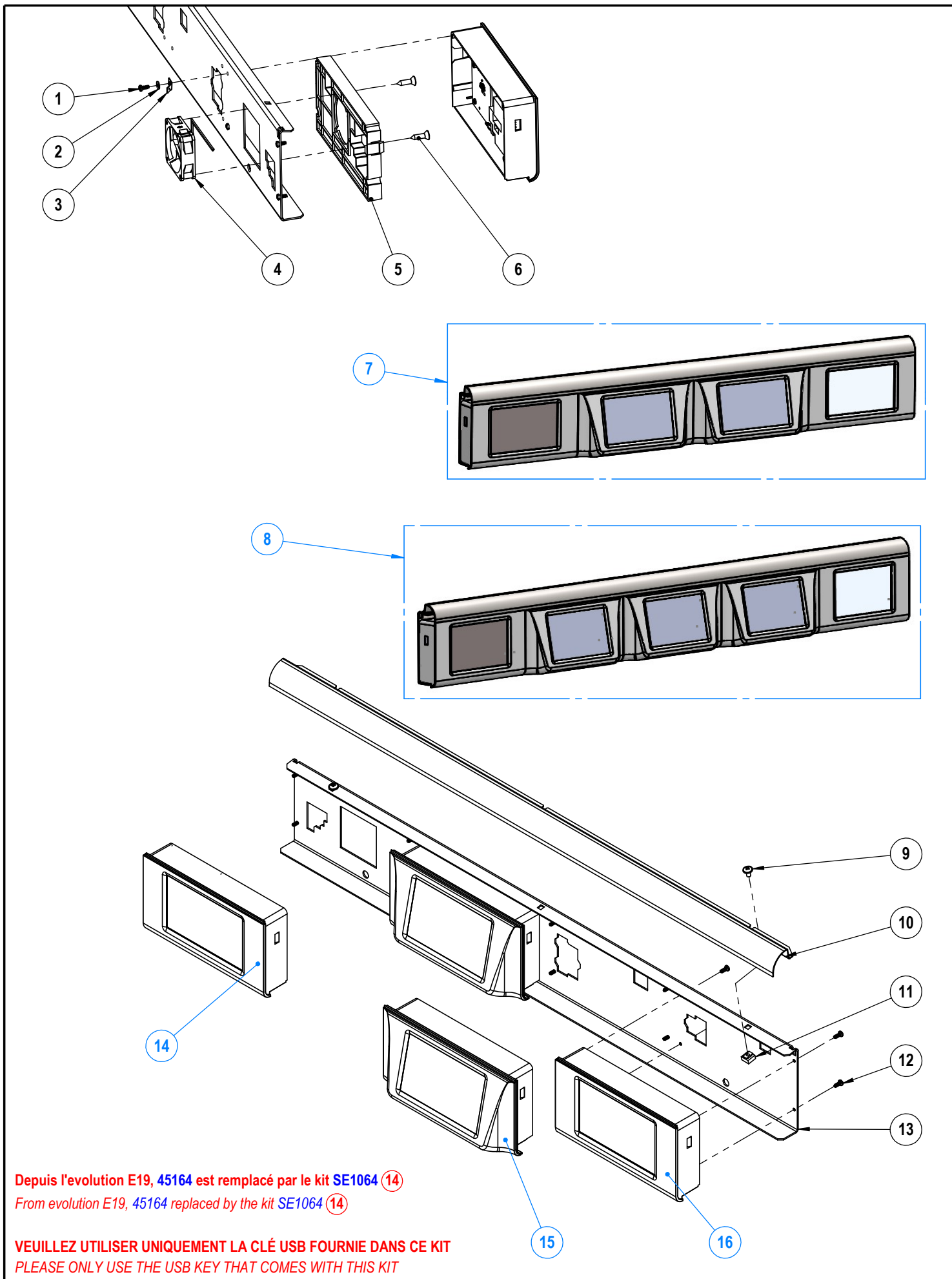


PLANCHE - PLATE 120

Pos.	Fact. code	Code	Description FR	Description GB	V	W&T	REF.	NOTES	S/N BREAK
1	50703	0UNDLF	VIS PARKER N6 9.5 SP CRUCIF.	PARKER SCREW					
2	CN305	0UN253	RONDELLE EN LAITON M3	BRASS RING M3					
3	41305	0UN751	FASTON MALE A VISSER	MALE FASTON PIN					
4	44321	0UN354	VENTILATEUR CABLE AVEC CONNECTEUR	FAN WITH WIRE					
5	SE7022		COUVERCLE BOITIER	COVER BOX					
6	50712	0UN870	VIS CRUCIFORME 4.8 x 13	SCREW 4.8 X 13					
7	SE1020	0UNJJW	CALANDRE EPIC 2GR 4 DOSES / EAU CHAUDE	4 DOSES / HOT WATER 2 UNITS FRONT PANEL			b;d;i;m;r;s;z;a1;d1;j1;l1		
7	SE1025		CALANDRE EPIC 2GR 4 DOSES / STEAMAIR	4 DOSES / STEAMAIR 2 UNITS FRONT PANEL					
7	SE1040	0UNJPF	CALANDRE EPIC 2GR DOSAMAT / EAU CHAUDE	DOSAMAT / HOT WATER 2 UNITS FRONT PANEL			a;e;j;n;v;w;e1;i1;n1		
7	SE1045		CALANDRE EPIC 2GR DOSAMAT / STEAMAIR	DOSAMAT / STEAMAIR 2 UNITS FRONT PANEL					
8	SE1030		CALANDRE EPIC 3GR 4 DOSES / EAU CHAUDE	4 DOSES / HOT WATER 3 UNITS FRONT PANEL			f;g;k;o;t;u;b1;c1;f1;k1		
8	SE1035		CALANDRE EPIC 3GR 4 DOSES / STEAMAIR	4 DOSES / STEAMAIR 3 UNITS FRONT PANEL			h1		
8	SE1050		CALANDRE EPIC 3GR DOSAMAT / EAU CHAUDE	DOSAMAT / HOT WATER 3 UNITS FRONT PANEL			h;l;p;q;x;y;g1;m1		
8	SE1055		CALANDRE EPIC 3GR DOSAMAT / STEAMAIR	DOSAMAT / STEAMAIR 3 UNITS FRONT PANEL					
9	50125	0UNA68	VIS TB CRUCIFORME A EMBASE M4 x 8	CRUCIFORM SCREW M4 x 8					
10	SE3021	0UNHJO	DESSUS DE CALANDRE 2GR	2 UNITS FRONT PANEL TOP			a;b;c;d;e;j;m;n;r;s;v;w;z; a1;d1;e1;h1;i1;j1;l1;n1		
10	SE3031	0UNHJU	DESSUS DE CALANDRE 3GR	3 UNITS FRONT PANEL TOP			f;g;h;k;l;o;p;q;t;u;x;y;b1; c1;f1;g1;k1;m1		
11	CN661	0UN184	ECROU CAGE M4, EP 1/1.6	INSERT NUT M4					
12	50708	0UN961	VIS AUTOFORMEUSE 3X14	SCREW 3X14					
13	SE2082		SUPPORT CALANDRE 2GR	2 UNITS HOLDER FRONT PANEL			a;b;c;d;e;j;m;n;r;s;v;w;z; a1;d1;e1;h1;i1;j1;l1;n1		
13	SE2083		SUPPORT CALANDRE 3GR	3 UNITS HOLDER FRONT PANEL			f;g;h;k;l;o;p;q;t;u;x;y;b1; c1;f1;g1;k1;m1		
14	SE1064	0UNJE1	ECRAN BTA+CLE USB+NOTICE	KIT BTA DISPLAY+USB KEY+MANUAL					
15	45160	0UNDFV	BOITIER GROUPE DOSAMAT EPIC	DOSAMAT ELECTRONIC BOX			a;c;e;h;j;l;n;p;q;v;w;x;y; e1;g1;h1;i1;m1;n1		
15	45161	0UNBVG	BOITIER GROUPE 4 DOSES EPIC	4 DOSES ELECTRONIC BOX			b;d;f;g;i;k;m;o;r;s;t;u;za1; b1;c1;d1;e1;f1;g1;h1;i1;j1;l1		
16	45162	0UNDFW	BOITIER STEAMAIR EPIC	STEAMAIR ELECTRONIC BOX			h1		
16	45163	0UNBVH	BOITIER EAU CHAUDE EPIC	HOT WATER ELECTRONIC BOX			a;b;c;d;e;f;g;h;i;j;k;l;m;n;o; p;q;r;s;t;u;v;w;x;y;za1; b1;c1;d1;e1;f1;g1;h1;i1;j1; k1;l1;m1;n1		

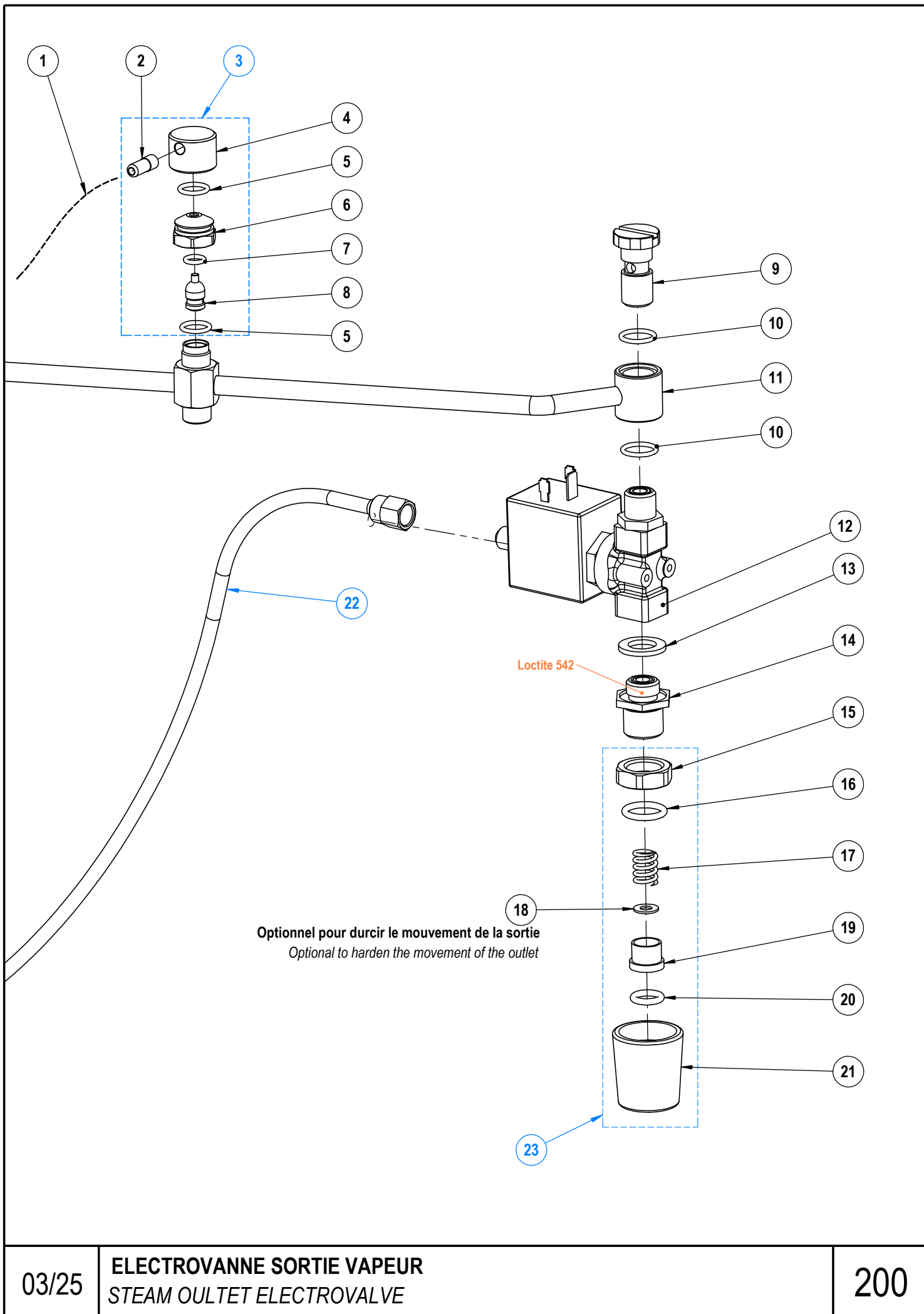


PLANCHE - PLATE 200

Pos.	Fact. code	Code	Description FR	Description GB	V	W&T	REF.	NOTES	S/N BREAK
1	SE6502		TUBE VALVE DE PURGE 2GR	2 UNITS VACCUM VALVE PIPE			h1		
1	SE6503		TUBE VALVE DE PURGE 3GR	3 UNITS VACCUM VALVE PIPE					
2	26175	0UN483	EMBOUT M6	M6 NOZZLE					
3	27224	0UN156	KIT VALVE DE PURGE	VACCUM VALVE KIT					
4	27227	0UN432	CABOCHON VALVE DE PURGE	STOPPER PURGE VALVE					
5	CN2850HI	0UN180	JOINT TORIQUE 1,78X10,82	GASKET 10.82x1.78					
6	27226	0UN491	ECROU VALVE DE PURGE	VACCUM VALVE NUT					
7	CN198	0UN178	JOINT TORIQUE 1,78X6,07 FKM	GASKET - 6.07 x 1.78					
8	27225	0UN556	TIGE VALVE SPHERIQUE	SPHERICAL ROD					
9	23760	0UN291	AXE BANJO 1/4	BANJO SCREW 1/4					
10	27796	0UN023	JOINT TORIQUE 1,78 X 12,42 NEXUS	O RING 1.78 X 12.42					
11	SE6004	0UNHNJ	TUBE EV VAPEUR	STEAM ELECTROVALVE PIPE			h1		
12	35145L	0UNJVQ	ELECTROVANNE 3/2 24V-50/60 HZ DN 4,5 mm IT	ELECTROVALVE 3/2 24V-50/60 HZ DN 4,5 mm IT					
13	28352	0UN017	JOINT PLAT 20X12X2 EPDM 70SH	GASKET 20X12X2					
14	DV171	0UN498	RACCORD 3/8-1/4	FITTING 3/8					
15	DV170	0UN645	ECROU CHROME	NUT 3/8					
16	PH54HI	0UN133	JOINT TORIQUE 2,62X13,95 EPDM	O RING - 13.95 x 2.62					
17	PA43	0UN199	RESSORT F15/10 L14,5 D10,5 P3	SPRING					
18	AG14	0UN176	JOINT CUIVRE M12	COPPER GASKET					
19	RR67	0UN210	EMBOUT LAITON	BRASS END					
20	PH78	0UN202	JOINT TORIQUE 2,62X9,13 EPDM	O RING - 9.13 X 2.62					
21	25915	0UN531	CACHE SORTIE EAU VAPEUR	COVER OUTLET STEAM WATER					
22	SE6522		TUBE DECOMPRESSION EV VAPEUR 2GR	2 UNITS DECOMPRESSION PIPE			h1		
22	SE6523		TUBE DECOMPRESSION EV VAPEUR 3GR	3 UNITS DECOMPRESSION PIPE					
23	NA1063	0UNJU3	KIT SORTIE	OUTLET KIT					

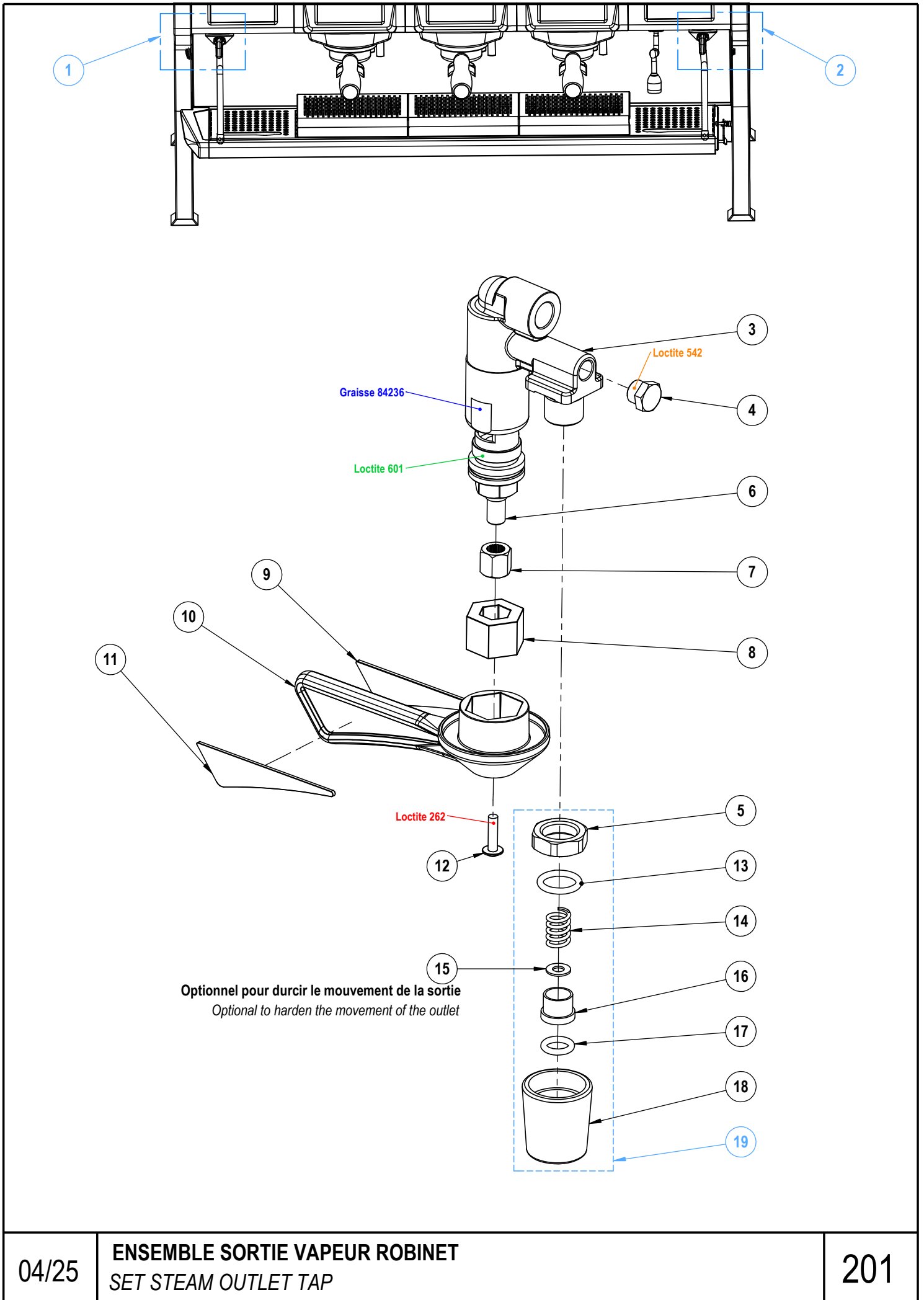


PLANCHE - PLATE 201

Pos.	Fact. code	Code	Description FR	Description GB	V	W&T	REF.	NOTES	S/N BREAK
1	SE1010		ENSEMBLE ROBINET GAUCHE	TAP ASSEMBLY LEFT					
2	SE1011		ENSEMBLE ROBINET DROIT	TAP ASSEMBLY RIGHT			ab;c;d;e;f;g;h;i;j;k;l;m;n;o; p;q;r;s;t;u;v;w;x;y;z;a1;b1; c1;d1;e1;f1;g1;i1;j1;k1;l1; m1;n1		
3	NZ4004	0UNG1P	ROBINET VAPEUR	STEAM TAP					
4	21100	0UN994	BOUCHON 1/8	PLUG 1/8					
5	DV170	0UN645	ECROU CHROME	NUT 3/8					
6	25925	0UNBHW	CARTOUCHE CERAMIQUE	CERAMIC CARTRIDGE					
7	NZ4014	0UNBNK	INSERT POIGNEE ROBINET	STEAM HANDLE INSERT					
8	SE4007	0UNHM7	INSERT POIGNEE PEEK	INSERT HANDLE PEEK					
9	SE4021	0UNBVO	STICKER POIGNEE EPIC GAUCHE NOIR	BLACK STICKER HANDLE LEFT EPIC					
9	SE4021B	0UNHNF	STICKER POIGNEE EPIC GAUCHE BLANC	WHITE STICKER HANDLE LEFT EPIC					
9	SE4021R	0UNHNG	STICKER POIGNEE EPIC GAUCHE ROUGE	RED STICKER HANDLE LEFT EPIC					
9	SE4021V	0UNHNH	STICKER POIGNEE EPIC GAUCHE VERT	GREEN STICKER HANDLE LEFT EPIC					
10	SE7015	0UNBVP	POIGNEE VAPEUR EPIC	STEAM HANDLE					
11	SE4020	0UNBVN	STICKER POIGNEE EPIC DROITE NOIR	BLACK STICKER HANDLE RIGHT EPIC					
11	SE4020B	0UNHNC	STICKER POIGNEE EPIC DROITE BLANC	WHITE STICKER HANDLE RIGHT EPIC					
11	SE4020R	0UNHND	STICKER POIGNEE EPIC DROITE ROUGE	RED STICKER HANDLE RIGHT EPIC					
11	SE4020V	0UNHNE	STICKER POIGNEE EPIC DROITE VERT	GREEN STICKER HANDLE RIGHT EPIC					
12	CN489E	0UNBLN	VIS INOX CHC 4 x 16 A EMBASE	SCREW M4 X 16 WITH BASE					
13	PH54HI	0UN133	JOINT TORIQUE 2,62X13,95 EPDM	O RING - 13.95 x 2.62					
14	PA43	0UN199	RESSORT F15/10 L14,5 D10,5 P3	SPRING					
15	AG14	0UN176	JOINT CUIVRE M12	COPPER GASKET					
16	RR67	0UN210	EMBOUT LAITON	BRASS END					
17	PH78	0UN202	JOINT TORIQUE 2,62X9,13 EPDM	O RING - 9,13 X 2,62					
18	25915	0UN531	CACHE SORTIE EAU VAPEUR	COVER OUTLET STEAM WATER					
19	NA1063	0UNJU3	KIT SORTIE	OUTLET KIT					

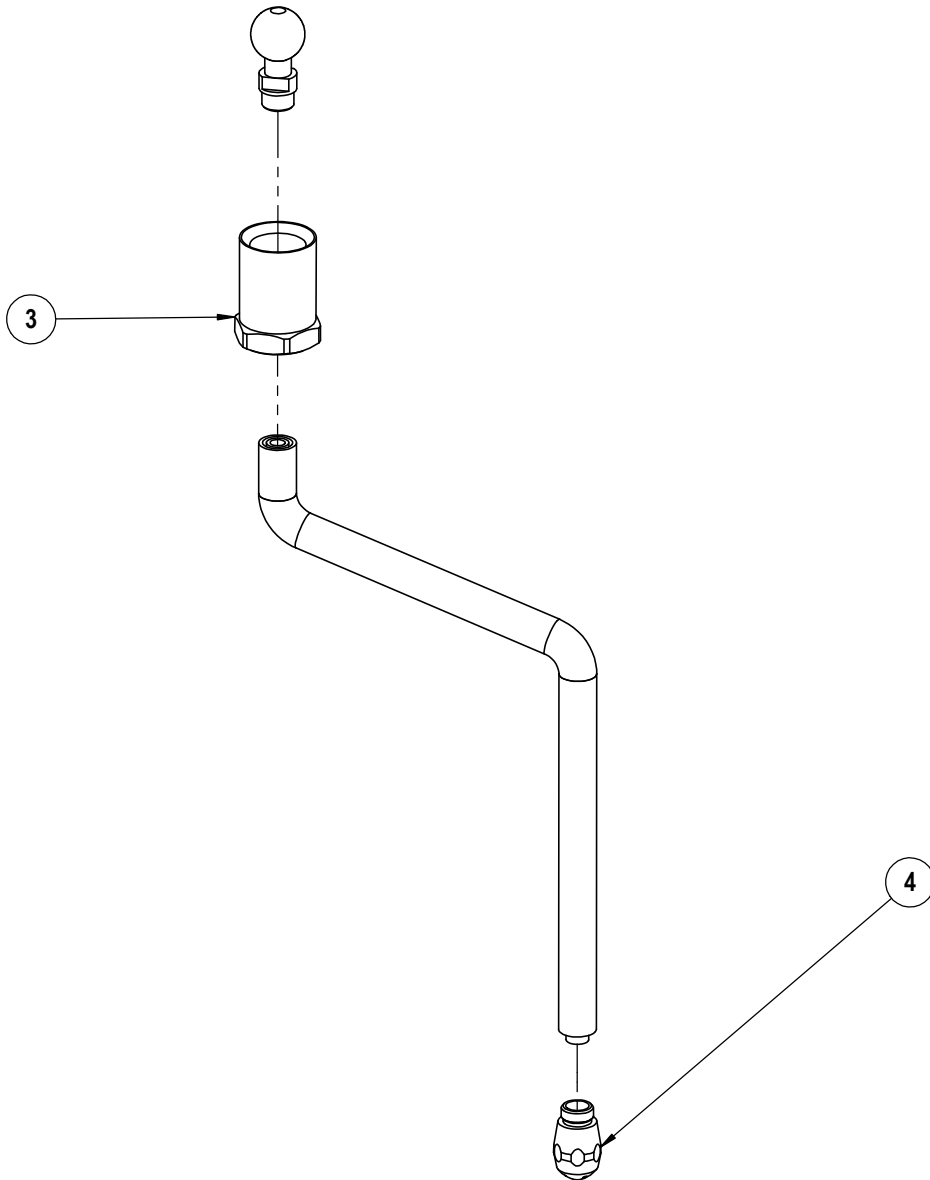
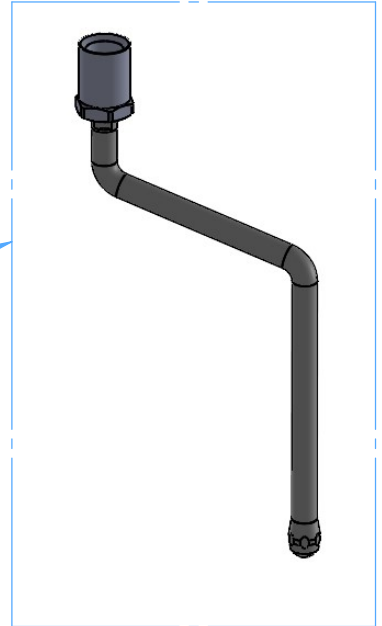
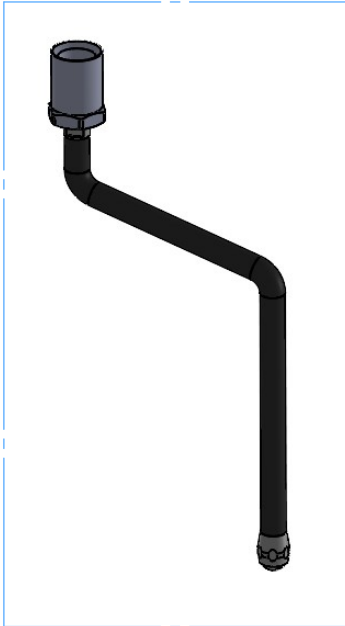


PLANCHE - PLATE 215

Pos.	Fact. code	Code	Description FR	Description GB	V	W&T	REF.	NOTES	S/N BREAK
1	25947	0UNC26	SORTIE VAPEUR COMPLETE NOIRE COLD TOUCH	COLD TOUCH STEAM OUTLET BLACK			h1		
2	25942	871010	SORTIE VAPEUR COMPLETE INOX COLD TOUCH	COLD TOUCH STEAM OUTLET STAINLESS			a;b;c;d;e;f;g;h;i;j;k;l;m;n;o; p;q;r;s;t;u;v;w;x;y;z;a1;b1; c1;d1;e1;f1;g1;i1;j1;k1;l1; m1;n1		
3	25933		ECROU POUR TUBE	NUT FOR PIPE					
4	25941	0UNC25	EMBOUT INOX 4 TROUS	4 HOLES END PIPE					

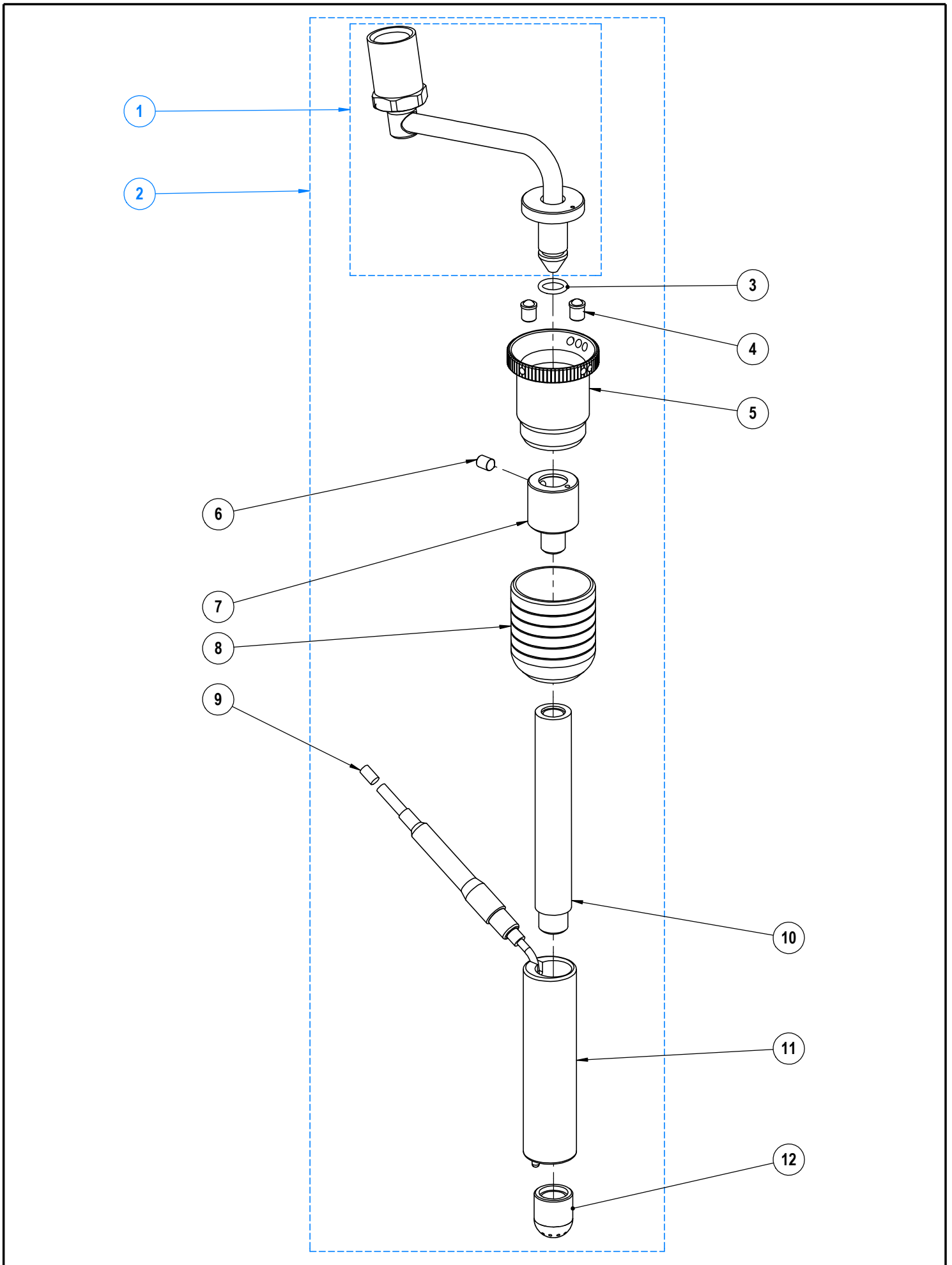


PLANCHE - PLATE 238

Pos.	Fact. code	Code	Description FR	Description GB	V	W&T	REF.	NOTES	S/N BREAK
1	RO59A	0UNHHY	TUBE SORTIE VAPEUR SP	CHROME COPPER TUBE			h1		
2	NZ1020	0UNFXZ	SORTIE STEAMAIR STELLA	STELLA STEAMAIR OUTLET			h1		
3	CN436	0UN145	JOINT TORIQUE 1,78X8,73 EPDM	GASKET 8,73 X 1,78					
4	RO58	0UN209	POUSSOIR A BILLE	THRUST BALL BEARING					
5	RO55	0UN420	BARILLET	BARREL					
6	PC38	0UN200	VIS STHC M5X8 BOUT POINTU	POINT END SCREW					
7	RO57	0UN951	MELANGEUR EN LAITON	MIXER					
8	RO68	0UNA01	CACHE BARILLET	BARREL COVER					
9	NZ8001	0UNG3X	SONDE VAPEUR THERMOSTATEE	THERMOSTATED STEAM PROBE					
10	25907	0UN919	TUBE PTFE STEAMAIR	PTFE STEAMAIR PIPE					
11	25905	0UNC20	SUPPORT DE SONDE	PROBE SUPPORT					
12	25909	0UN154	EMBOUT PTFE 12 TROUS	12 HOLES END PIPE					

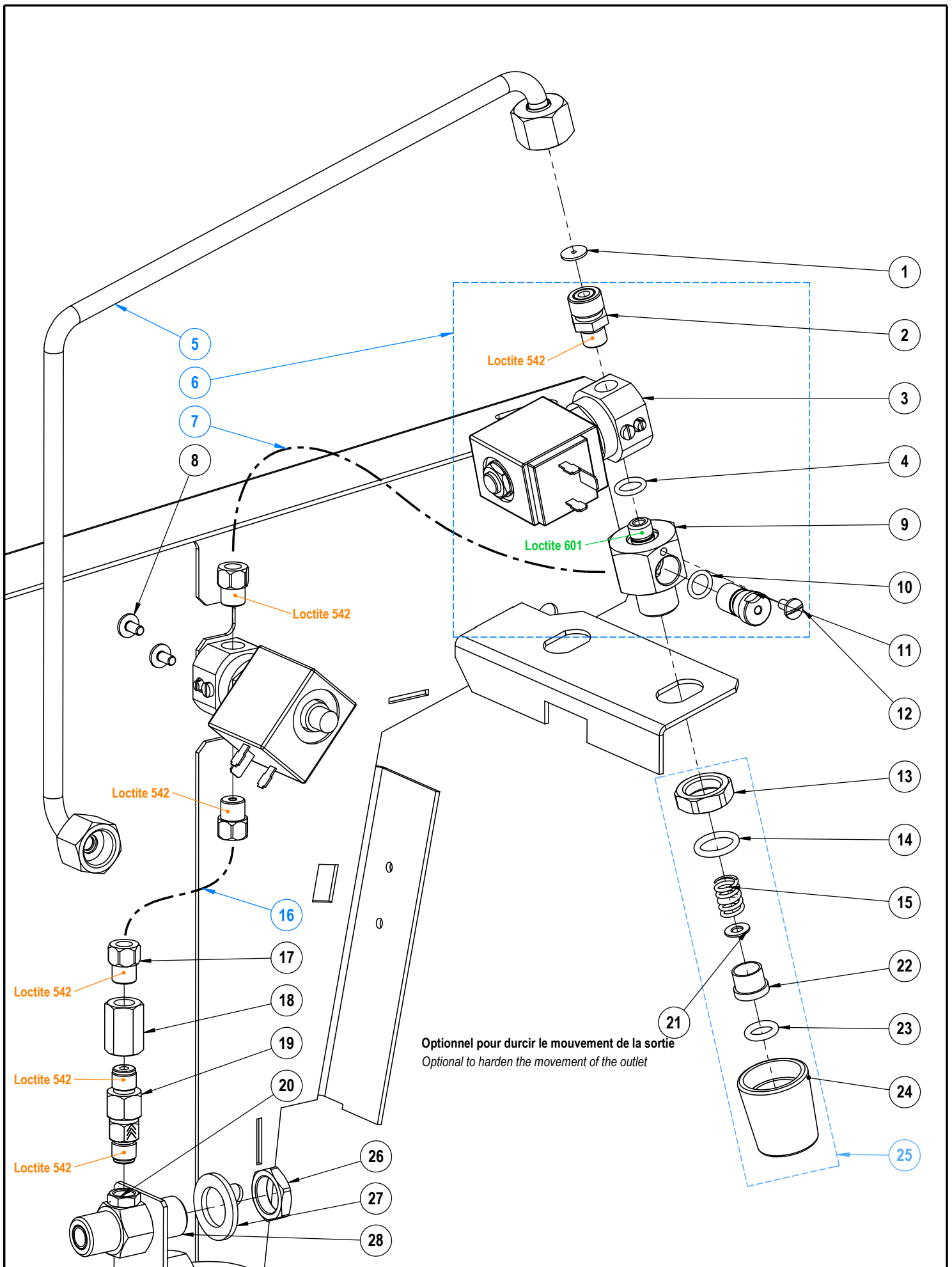


PLANCHE - PLATE 250

Pos.	Fact. code	Code	Description FR	Description GB	V	W&T	REF.	NOTES	S/N BREAK
1	DV203	0UN968	JOINT PLAT CUIVRE 1/4 D:2mm	WASHER 1/4 D:2					
2	MI18	0UN935	RACCORD MM 1/4 - 1/8 G	FITTING - 1/8 x 1/4					
3	35515L	0UNJVU	EV 2 VOIES 24V 50-60HZ NSF4	EV 2 WAYS 24V 50-60HZ NSF4					
4	28134	0UN019	JOINT TORIQUE 2X9,5 NEXUS	O RING 2X9,5					
5	SE6002	0UNHNI	TUBE MITIGEUR EAU CHAUDE	HOT WATER MIXER PIPE					
6	AU1072	0UND00	EV SORTIE EAU CHAUDE MITIGEE	EV HOT WATER MIXED					
7	SE6501	0UNHNU	TUBE PTFE MITIGEUR	MIXER PTFE PIPE					
8	50125	0UNA68	VIS TB CRUCIFORME A EMBASE M4 x 8	CRUCIFORM SCREW M4 x 8					
9	FR4136	0UN375	RACCORD SORTIE EAU MITIGEE	MIXED WATER FITTING					
10	CN436	0UN145	JOINT TORIQUE 1,78X8,73 EPDM	GASKET 8,73 X 1,78					
11	FR4138	0UN923	BOUCHON MELANGEUR	MIXER CAP					
12	ID129	0UNA5Z	VIS INOX POELIER VM 4 X 8	SCREW 4 X 8					
13	DV170	0UN645	ECROU CHROME	NUT 3/8					
14	PH54HI	0UN133	JOINT TORIQUE 2,62X13,95 EPDM	O RING - 13.95 x 2.62					
15	PA43	0UN199	RESSORT F15/10 L14,5 D10,5 P3	SPRING					
16	SE6500	0UNI9Z	TUBE PTFE L:180	PTFE PIPE					
17	FR4049	0UN921	RACCORD 1/8M M8 X 100	FITTING 1/8M M8 X 100					
18	20957	0UN372	RACCORD DROIT 1/8G	FITTING 1/8G					
19	26301	0UN030	CLAPET ANTI-RETOUR 1/8	NO RETURN VALVE 1/8					
20	51351	0UN296	ECROU 1/8	NUT 1/8					
21	AG14	0UN176	JOINT CUIVRE M12	COPPER GASKET					
22	RR67	0UN210	EMBOUT LAITON	BRASS END					
23	PH78	0UN202	JOINT TORIQUE 2,62X9,13 EPDM	O RING - 9,13 X 2,62					
24	25915	0UN531	CACHE SORTIE EAU VAPEUR	COVER OUTLET STEAM WATER					
25	NA1063	0UNJU3	KIT SORTIE	OUTLET KIT					
26	NA18	0UN697	ECROU LAITON 3/8 6 mm	3/8 NUT					
27	CN544	0UN901	RONDELLE ACIER ZN 17 x 28 x 2	WASHER					
28	20990	0UNC09	RACCORD 3/8M 3/8M 1/8F	FITTING 3/8M 3/8M 1/8F					

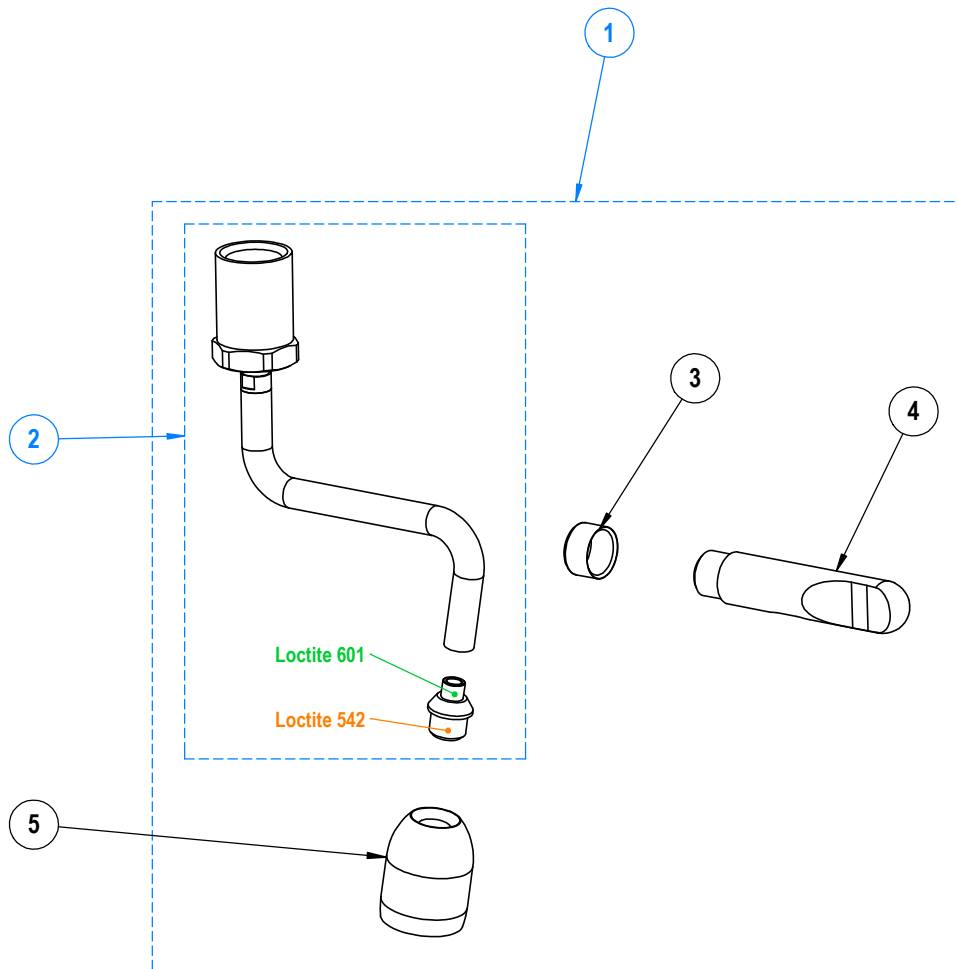


PLANCHE - PLATE 261

Pos.	Fact. code	Code	Description FR	Description GB	V	W&T	REF.	NOTES	S/N BREAK
1	25730	0UNC1Y	SORTIE EAU CHAUDE INOX COMPLETE	HOT WATER OUTLET					
2	25728		TUBE SORTIE EAU CHAUDE INOX	HOT WATER OUTLET PIPE					
3	25911	0UN543	BAGUE POUR POIGNEE EAU ET VAPEUR	WATER AND STEAM HANDLE COLLAR					
4	25910	0UN523	POIGNEE SORTIE EAU CHAUDE ET VAPEUR	HOT WATER AND STEAM OUTLET HANDLE					
5	25716	0UNC1X	BRISE JET POUR TUBE INOX EAU CHAUDE	WINDSHIELD FOR HOT WATER PIPE					

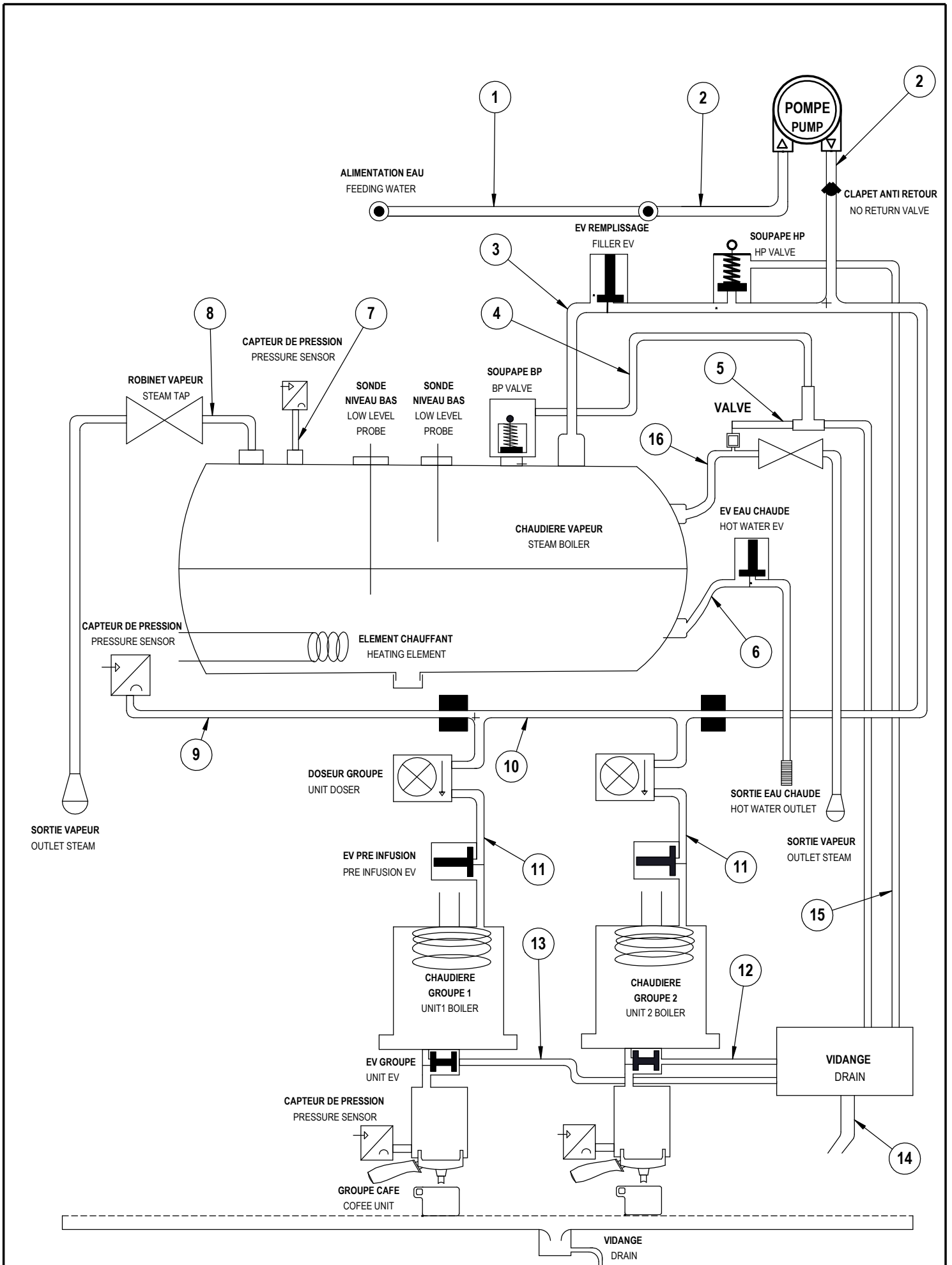


PLANCHE - PLATE 302

Pos.	Fact. code	Code	Description FR	Description GB	V	W&T	REF.	NOTES	S/N BREAK
1	SE6042	0UNHNS	TUBE ENTREE D'EAU 2GR	2 UNITS INLET WATER PIPE			abc;d;e;ij;m;n;r;s;v;w;z; a1;d1;e1;h1;i1;j1;l1;n1		
2	ID75	0UN347	TUBE FLEXIBLE COUDE ARME INOX	FLEXIBLE PIPE					
3	SE6011	0UNHNL	TUBE REMPLISSAGE CHAUDIERE	BOILER FILLING PIPE					
4	SE6504		TUBE DECOMPRESSION SOUPAPE BP	LP VALVE DECOMPRESSION PIPE					
5	SE6502		TUBE VALVE DE PURGE 2GR	2 UNITS VACCUM VALVE PIPE			abc;d;e;ij;m;n;r;s;v;w;z; a1;d1;e1;h1;i1;j1;l1;n1		
6	SE6002	0UNHNI	TUBE MITIGEUR EAU CHAUDE	HOT WATER MIXER PIPE					
7	NZ6013	0UNG3C	TUBE CAPTEUR VAPEUR	STEAM SENSOR PIPE					
8	SE6010	0UNHMK	TUBE VAPEUR ROBINET	STEAM TAP PIPE					
9	NZ6012	0UNJTM	TUBE CAPTEUR RESEAU	NETWORK SENSOR PIPE					
10	NZ6008	0UNG29	RAMPE DOSEUR ET ENTREE EAU	WATER FEEDING & DOSER PIPE					
11	SE6018	0UNHNM	TUBE ALIMENTATION GROUPE CAFE	ALIMENTATION GROUP PIPE					
12	SE6022	0UNHNO	TUBE DECOMPRESSION GR2 2GR	2 UNITS DECOMPRESSION PIPE GROUP 2			abc;d;e;ij;m;n;r;s;v;w;z; a1;d1;e1;h1;i1;j1;l1;n1		
13	SE6021	0UNHNN	TUBE DECOMPRESSION GR1 2GR	2 UNITS DECOMPRESSION PIPE GROUP 1			abc;d;e;ij;m;n;r;s;v;w;z; a1;d1;e1;h1;i1;j1;l1;n1		
14	12741		TUBE SILICONE Ø10-Ø16	SILICONE PIPE Ø10-Ø16				LG: 1m60	
15	SE6512		TUBE DECOMPRESSION SOUPAPE HP 2GR	2 UNITS HP VALVE DECOMPRESSION PIPE			abc;d;e;ij;m;n;r;s;v;w;z; a1;d1;e1;h1;i1;j1;l1;n1		
16	SE6005		TUBE VAPEUR ROBINET DROIT	STEAM TAP PIPE RIGHT					

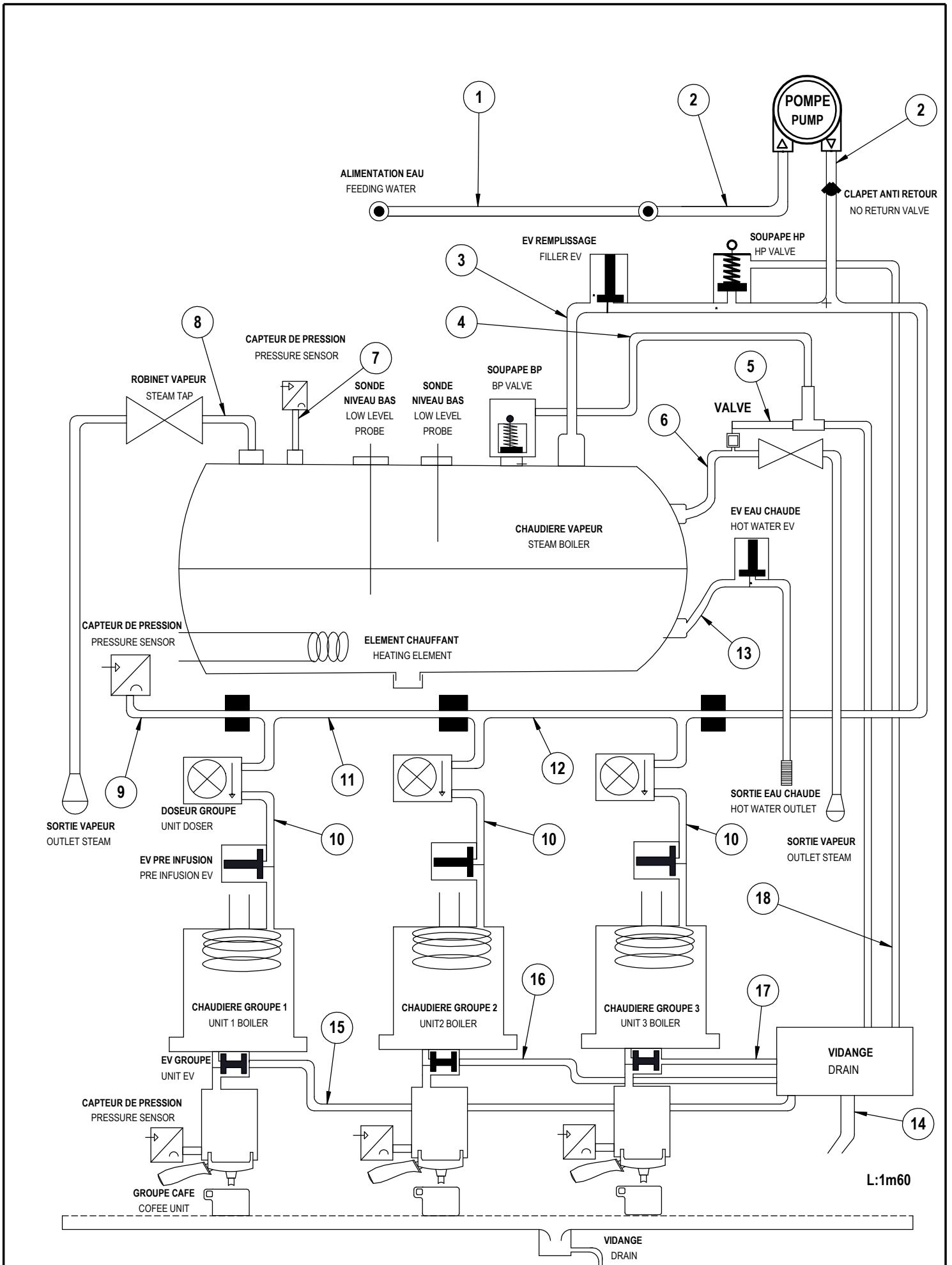
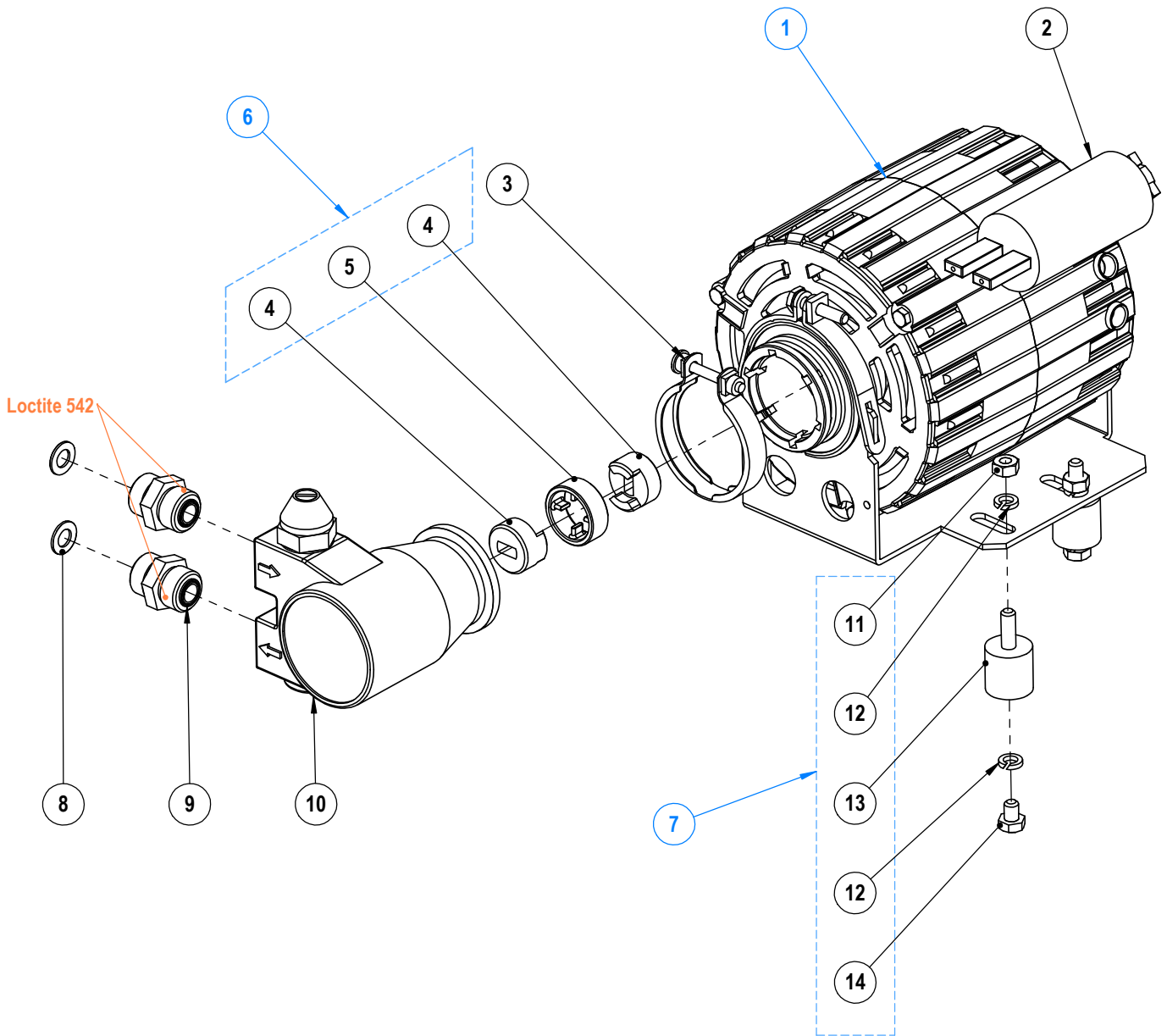


PLANCHE - PLATE 303

Pos.	Fact. code	Code	Description FR	Description GB	V	W&T	REF.	NOTES	S/N BREAK
1	SE6043	0UNHNT	TUBE ENTREE D'EAU 3GR	3 UNITS INLET WATER PIPE			f,g,h,k,l,o,p,q,t,u;x;y;b1;c1; f1:g1;k1;m1		
2	ID75	0UN347	TUBE FLEXIBLE COUDE ARME INOX	FLEXIBLE PIPE					
3	SE6011	0UNHNL	TUBE REMPLISSAGE CHAUDIERE	BOILER FILLING PIPE					
4	SE6504		TUBE DECOMPRESSION SOUPEPE BP	LP VALVE DECOMPRESSION PIPE					
5	SE6503		TUBE VALVE DE PURGE 3GR	3 UNITS VACCUM VALVE PIPE			f,g,h,k,l,o,p,q,t,u;x;y;b1;c1; f1:g1;k1;m1		
6	SE6005		TUBE VAPEUR ROBINET DROIT	STEAM TAP PIPE RIGHT					
7	NZ6013	0UNG3C	TUBE CAPTEUR VAPEUR	STEAM SENSOR PIPE					
8	SE6010	0UNHNC	TUBE VAPEUR ROBINET	STEAM TAP PIPE					
9	NZ6012	0UNJTM	TUBE CAPTEUR RESEAU	NETWORK SENSOR PIPE					
10	SE6018	0UNHNM	TUBE ALIMENTATION GROUPE CAFE	ALIMENTATION GROUP PIPE					
11	NZ6007		RAMPE DOSEUR EAU	WATER DOSER PIPE					
12	NZ6008	0UNG29	RAMPE DOSEUR ET ENTREE EAU	WATER FEEDING & DOSER PIPE					
13	SE6002	0UNHNI	TUBE MITIGEUR EAU CHAUDE	HOT WATER MIXER PIPE					
14	12741		TUBE SILICONE Ø10-Ø16	SILICONE PIPE Ø10-Ø16				LG: 1m60	
15	SE6031	0UNHNP	TUBE DECOMPRESSION GR1 3GR	3 UNITS DECOMPRESSION PIPE GROUP 1			f,g,h,k,l,o,p,q,t,u;x;y;b1;c1; f1:g1;k1;m1		
16	SE6032	0UNHNQ	TUBE DECOMPRESSION GR2 3GR	3 UNITS DECOMPRESSION PIPE GROUP 2			f,g,h,k,l,o,p,q,t,u;x;y;b1;c1; f1:g1;k1;m1		
17	SE6033	0UNHNR	TUBE DECOMPRESSION GR3 3GR	3 UNITS DECOMPRESSION PIPE GROUP 3			f,g,h,k,l,o,p,q,t,u;x;y;b1;c1; f1:g1;k1;m1		
18	SE6513		TUBE DECOMPRESSION SOUPEPE HP 3GR	3 UNITS HP VALVE DECOMPRESSION PIPE			f,g,h,k,l,o,p,q,t,u;x;y;b1;c1; f1:g1;k1;m1		



04/25

MOTEUR POMPE 200L
 200L MOTOR PUMP

325

PLANCHE - PLATE 325

Pos.	Fact. code	Code	Description FR	Description GB	V	W&T	REF.	NOTES	S/N BREAK
1	37229	0UNHU7	MOTEUR POMPE 165W 220-230V 50-60Hz UL	PUMP MOTOR 165W 220-230V 50-60Hz UL			q;r;s;t;u;v;w;x;y;z;a1;b1;c1; j1;k1;l1		
1	37244	0UNDBK	MOTEUR POMPE 165W 220-230V 50-60Hz	PUMP MOTOR 165W 220-230V 50-60Hz			a;b;c;d;e;f;g;h;i;j;k;l;m;n;o; p;d1;e1;f1;g1;h1;i1;m1;n1		
2	CN822	0UNI7K	CONDENSATEUR UL RPM POUR 37229	UL CAPACITOR				For 37229	
3	37219	0UNBY9	COLLIER POUR POMPE FLUIDOTECH	CLAMP					
4	37215	0UN524	JOINT D'ACCOUPEMENT	SLEEVE COUPLING					
5	37211	0UN542	AMORTISSEUR ACCOUPLEMENT	RUBBER COUPLING					
6	37200	0UNJDW	KIT ACCOUPLEMENT (372211+37215)	ACCOUPLING KIT					
7	37209	0UNJU5	KIT FIXATION MOTEUR 165W	165W FIXING MOTOR KIT					
8	CH16	0UN177	JOINT CUIVRE RECUIT 3/8	WASHER - COPPER - 3/8					
9	CN347A	0UN558	RACCORD D'ALIM. 3/8 - 3/8 MM	FITTING - 3/8 X 3/8 -			a;b;c;d;e;f;g;h;i;j;k;l;m;n;o; p;q;r;s;t;u;v;w;x;y;z;a1;b1, c1;d1;e1;f1;g1;h1;i1;j1;k1; l1		
9	CN347C	0UNJLB	RACCORD D'ALIM 3/8 3/8	FITTING 3/8 3/8			m1;n1		
10	37207	0UN056	POMPE ROTATIVE 200L/H SANS PLOMB	UNLEADED PUMP 200L/H					
11	AE13A	0UNA42	ECROU INOX Hu 6-100	NUT M6					
12	51655	0UNA5W	RONDELLE GROWER DE 6	WASHER 6					
13	DO19	0UN687	PLOT APB 20-20	SILENTBLOC					
14	DO45	0UNDXI	VIS ACIER ZN TH 6 X 8	SCREW 6 X 8					

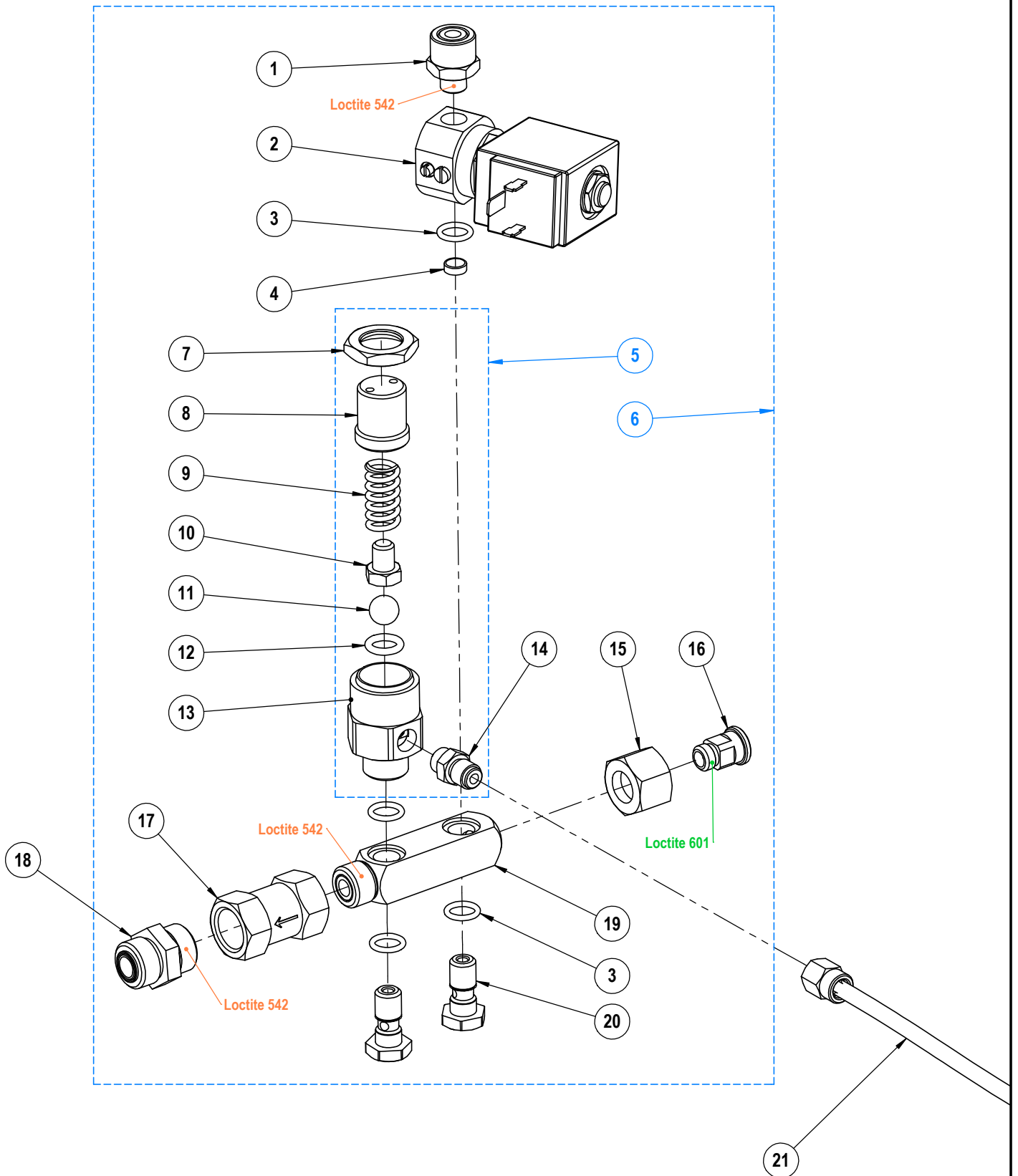


PLANCHE - PLATE 330

Pos.	Fact. code	Code	Description FR	Description GB	V	W&T	REF.	NOTES	S/N BREAK
1	R100	0UN228	RACCORD LAITON	FITTING					
2	35515L	0UNJVU	EV 2 VOIES 24V 50-60HZ NSF4	EV 2 WAYS 24V 50-60HZ NSF4					
3	28104HI	0UNJTV	JOINT TORIQUE 2.62 X 52.07 NBR	GASKET 2.62 X 52.07					
4	25400	0UN124	FILTRE INOX	FILTER					
5	DO191	0UN136	SOUPAPE H.P. COMPLETE	COMPLET H.P. VALVE					
6	NZ1002	0UNFXW	NOURRICE ALIMENTATION EAU	WATER FEEDING UNIT					
7	DO190	0UN860	CONTRE ECROU M18 X 100	NUT M18 X 100					
8	DO189	0UN557	ECROU DE SOUPAPE	VALVE NUT					
9	RO14	0UN446	RESSORT F20/10L26.5 D13 P5	SPRING					
10	DO188	0UN768	TIGE DE SOUPAPE	VALVE PISTON					
11	PC14	0UN510	BILLE INOX POLIE DE 11	STAINLESS STEEL BALL DIA 11					
12	PH83	0UN302	JOINT TORIQUE 2,62X9,19 PTFE	O RING 9,19 X 2,62 PTFE					
13	DO187	0UN767	CORPS DE SOUPAPE	VALVE BODY					
14	M136	0UN422	RACCORD 1/8M 1/8M	CONNECTION 1/8					
15	PB21	0UN488	ECROU 3/8 LAITON	FITTING 3/8					
16	DO74	0UN416	RACCORD SOUPAPE HP	H.P VALVE CONNECTION					
17	CN663	0UN058	CLAPET ANTI RETOUR COMPACT	VALVE - NON-RETURN					
18	CN347A	0UN558	RACCORD D'ALIM. 3/8 - 3/8 MM	FITTING - 3/8 X 3/8 -					
19	NZ4018	0UNG1W	RACCORD NOURRICE	LEADER FITTING					
20	23751	0UN088	AXE DE BANJO 1/8	BANJO SCREW					
21	SE6512		TUBE DECOMPRESSION SOUPAPE HP 2GR	2 UNITS HP VALVE DECOMPRESSION PIPE			a;b;c;d;e;j;j;m;n;r;s;v;w;z; a1;d1;e1;h1;i1;j1;l1;m1		
21	SE6513		TUBE DECOMPRESSION SOUPAPE HP 3GR	3 UNITS HP VALVE DECOMPRESSION PIPE			f;g;h;k;l;o;p;q;tu;x;y;b1; c1;f1;g1;k1;m1		

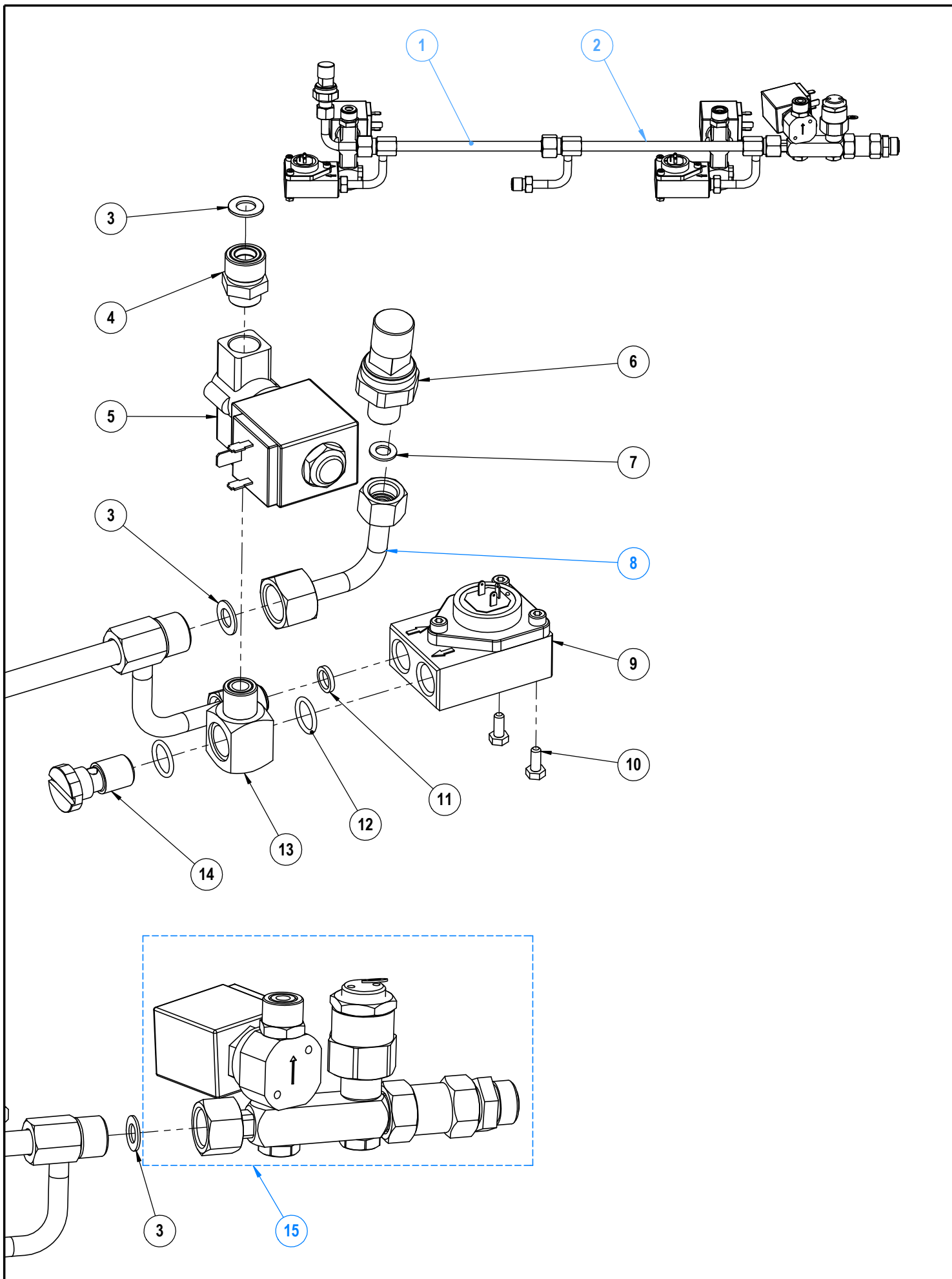


PLANCHE - PLATE 331

Pos.	Fact. code	Code	Description FR	Description GB	V	W&T	REF.	NOTES	S/N BREAK
1	NZ6007		RAMPE DOSEUR EAU	WATER DOSER PIPE			f,g,h,k,l,o,p,q,t,u;x;y;b1; c1,f1,g1,k1;m1		
2	NZ6008	0UNG29	RAMPE DOSEUR ET ENTREE EAU	WATER FEEDING & DOSER PIPE					
3	CH16	0UN177	JOINT CUIVRE RECUIT 3/8	WASHER - COPPER - 3/8					
4	CN441A	0UN465	RACCORD 1/4M-3/8M	FITTING 1/4 3/8					
5	35536	0UN19M	ELECTROVANNE 2 VOIES NO 24V-50	EV 2W NO 24V-50					
6	36510MPS	0UN377	CAPTEUR DE PRESSION 0-16b SENSATA	0-16b PRESSURE SENSOR					
7	CN618	0UN181	JOINT CUIVRE 1/4	GASKET - 1/4					
8	NZ6012	0UNJTM	TUBE CAPTEUR RESEAU	NETWORK SENSOR PIPE					
9	CN648	0UN109	COMPTEUR VOLUMETRIQUE Ø1,5	WHOLE W.DOSING DEVICE					
10	DV44	0UN188	VIS TH M4X10 ACIER	SCREW M4x10					
11	DV172	0UN500	JOINT PLAT 11.4 X 7.5 X 1.9	GASKET					
12	PA96	0UNBFV	JOINT TORIQUE 1,78X12,42 EPDM	GASKET 1.78 X 12.42					
13	23761	0UN474	CORPS DE BANJO 1/4	BANJO BODY 1/4					
14	23760	0UN291	AXE BANJO 1/4	BANJO SCREW 1/4					
15	NZ1002	0UNFXW	NOURRICE ALIMENTATION EAU	WATER FEEDING UNIT					

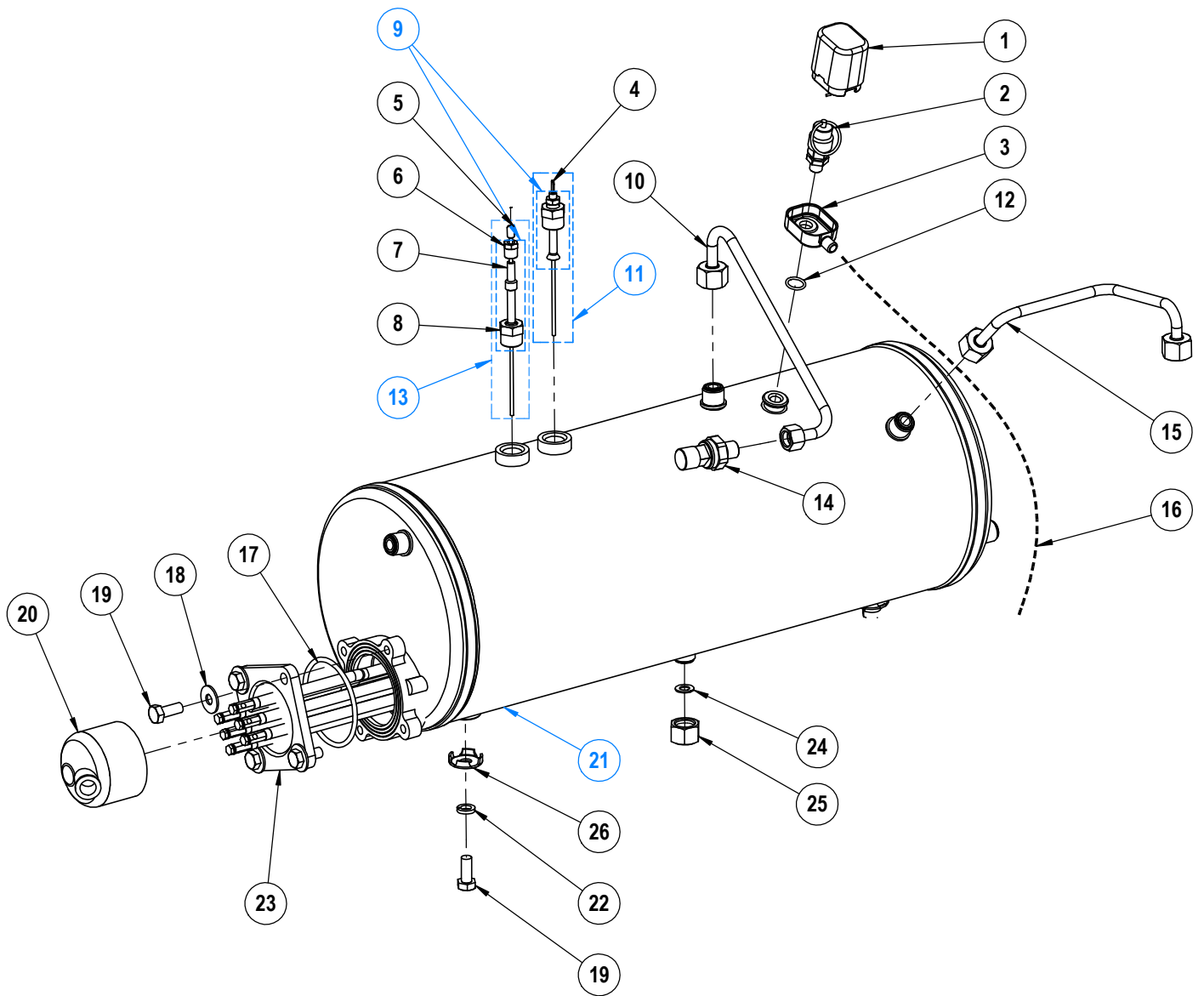
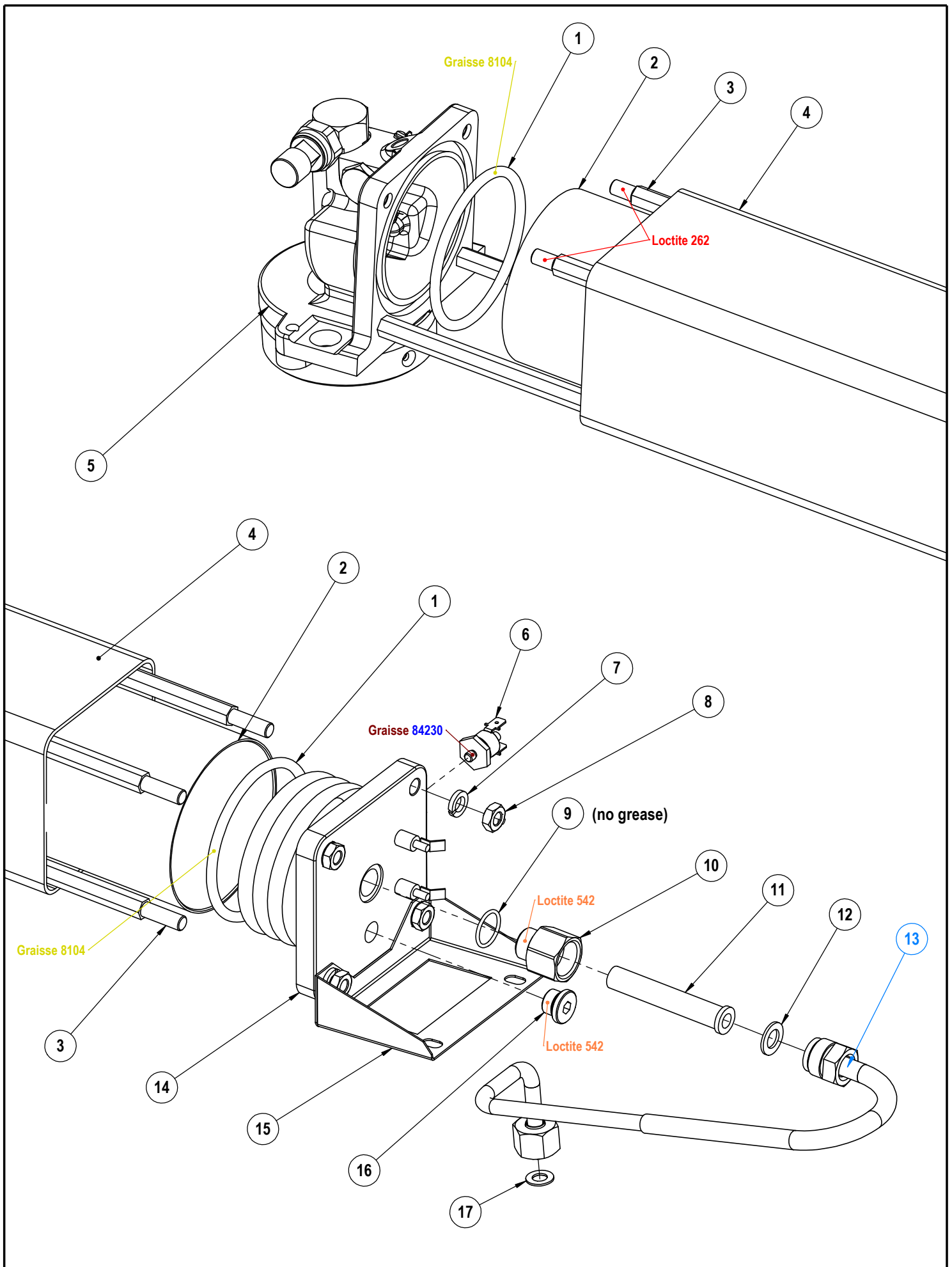


PLANCHE - PLATE 340

Pos.	Fact. code	Code	Description FR	Description GB	V	W&T	REF.	NOTES	S/N BREAK
1	7G7023	0UNBY6	COUVERCLE PROTECTION SOUPAPE	COVER VALVE PROTECTION					
2	27200	0UN155	SOUPAPE VAPEUR BP 3,5 BARS	LP VALVE 3.5 BARS					
3	7G7022	0UNHRF	PROTECTION SOUPAPE	VALVE PROTECTION					
4	CN670	0UN185	SONDE NIVEAU BAS INOX L=130	LEVEL PROBE L=130					
5	26515	0UNBPP	SONDE DE NIVEAU L=150	LEVEL PROBE					
6	NA70	0UN197	BLOCAGE ELECTRODE NIVEAU AUTO	LEVEL PROBE COMPRESSION NUT					
7	NA71	0UN198	PORTE-ELECTRODE EN TEFLON	LEVEL PROBE INSULATION					
8	NA69A	0UNA08	PORTE SONDE EN LAITON	PROBE HOLDER CONNECTION					
9	26502	0UN966	ENSEMBLE NIVEAU SONDE 3/8	LEVEL PROBE 3/8 SET					
10	NZ6013	0UNG3C	TUBE CAPTEUR VAPEUR	STEAM SENSOR PIPE					
11	26510	0UN570	SONDE DE NIVEAU L=130	LEVEL PROBE					
12	PA96	0UNBFV	JOINT TORIQUE 1,78X12,42 EPDM	GASKET 1.78 X 12.42					
13	26511		SONDE DE NIVEAU L=150	LEVEL PROBE					
14	36510MPS	0UN377	CAPTEUR DE PRESSION 0-16b SENSATA	0-16b PRESSURE SENSOR					
15	SE6011	0UNHNL	TUBE REMPLISSAGE CHAUDIERE	BOILER FILLING PIPE					
16	SE6504		TUBE DECOMPRESSION SOUPAPE BP	LP VALVE DECOMPRESSION PIPE					
17	CV20	0UN090	JOINT TORIQUE 3,53X66,68 FKM	GASKET - 66.68 x 3.53					
18	CF199	0UN263	RONDELLE ACIER ZN 8x22x1,5	STEEL WASHER 8x22x1,5					
19	CV3	0UN964	VIS TH M8 x 20 INOX	S.STEEL SCREW M8 x 20					
20	29815	0UN331	CACHE RESISTANCE	INSULATOR BOOT					
21	29042S		CHAUDIERE STELLA 2GR	STEAM BOILER 2 UNITS			a;b;c;d;e;j;j;m;n;r;s;v;w;z; a1;d1;e1;h1;i1;j1;l1;m1		
21	29043S		CHAUDIERE STELLA 3GR	STEAM BOILER 3 UNITS			f;g;h;k;l;o;p;q;t;u;x;y;b1; c1;f1;g1;k1;m1		
22	RR83	0UN592	RONDELLE GROVER DE 8	WASHER 8					
23	29813	0UNB17	ELEMENT CHAUFFANT 230V 6555W	HEATING ELEMENT 230V 6555W					
24	CH16	0UN177	JOINT CUIVRE RECUIT 3/8	WASHER - COPPER - 3/8					
25	CH10B	0UNDPJ	BOUCHON 3/8	PLUG 3/8					
26	29053	0UN613	RONDELLE ISOLATION CHAUDIERE	BOILER INSULATION WASHER					



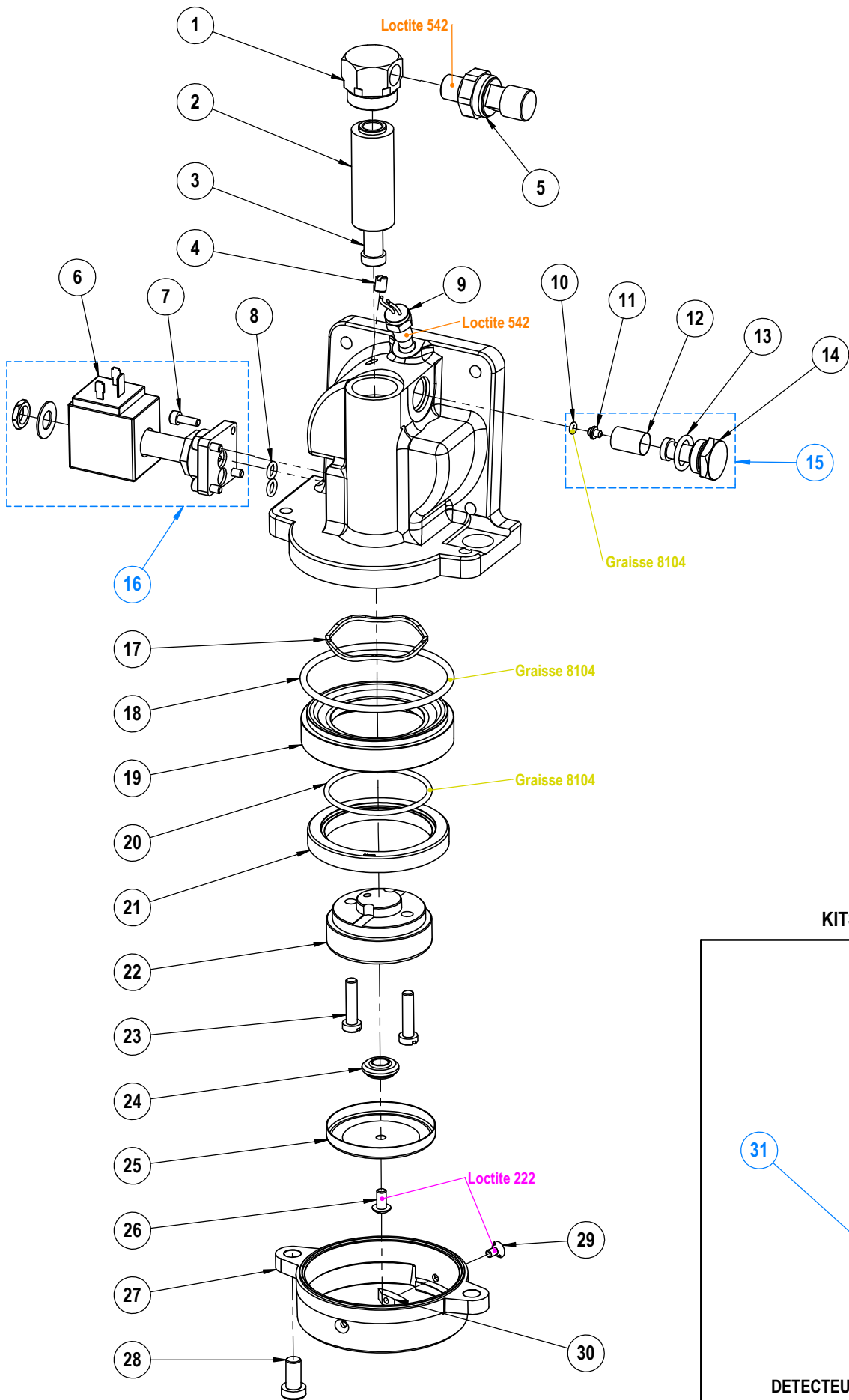
01/25

CHAUDIERE CAFE
COFFEE BOILER

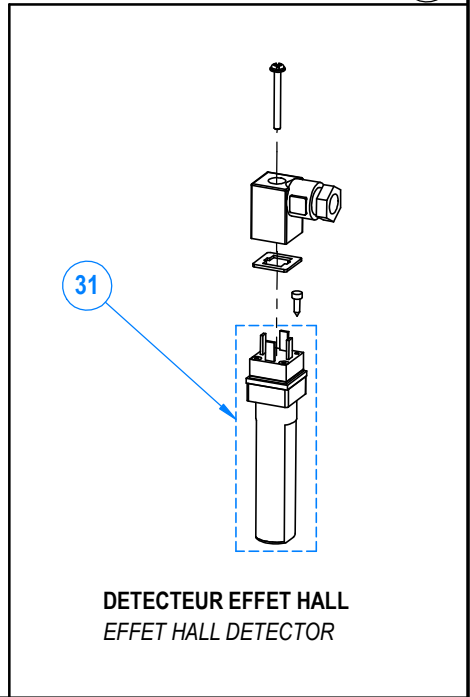
341

PLANCHE - PLATE 341

Pos.	Fact. code	Code	Description FR	Description GB	V	W&T	REF.	NOTES	S/N BREAK
1	28000	0UNBHZ	JOINT TORIQUE 5,34X78,74	O RING 5,34X78,74					
2	29040	0UNC5C	TUBE CHAUDIERE Ø95	BOILER TUBE Ø95					
3	NZ4003	0UNBXY	COLONNETTE CHAUDIERE	BOILER SCREW					
4	85205	0UNDNG	ISOLANT CHAUDIERE	BOILER INSULATOR					
5	NZ4001	0UNBVL	CORPS DE GROUPE	UNIT BODY					
6	34200	0UNBJZ	THERMOSTAT DE SECURITE 135°C	SAFETY THERMOSTAT 135°C					
7	RR83	0UN592	RONDELLE GROVER DE 8	WASHER 8					
8	PE12	0UN430	ECROU M8	NUT M8					
9	27716	0UN236	JOINT TORIQUE 1,78 X 17.17 FKM	GASKET 1,78 X 17.17					
10	20964	0UN467	RACCORD 3/8M 1/2F	CONNECTION 3/8M 1/2F					
11	DV4000	0UNBLS	TUBE TEFLON ALIM. GROUPE L:72	UNIT FEEDING TUBE					
12	CH17	0UN972	JOINT CUIVRE RECUIT 1/2	WASHER - COPPER - 1/2					
13	SE6018	0UNHNM	TUBE ALIMENTATION GROUPE CAFE	ALIMENTATION GROUP PIPE					
14	29805	0UNBI6	ELEMENT CHAUFFANT 230V 2000W	HEATING ELEMENT 230V-2000W					
15	NZ2000	0UNFY5	SUPPORT AR CHAUDIERE	BOILER SUPPORT					
16	21103	0UN390	BOUCHON 1/4	PLUG 1/4					
17	CH16	0UN177	JOINT CUIVRE RECUIT 3/8	WASHER - COPPER - 3/8					



KITS REFERENCES: 32



04/25

GRUPE CAFE
 COFFEE GROUP

345

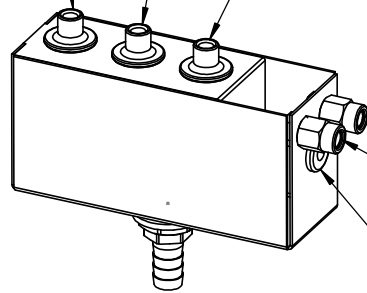
PLANCHE - PLATE 345

Pos.	Fact. code	Code	Description FR	Description GB	V	W&T	REF.	NOTES	S/N BREAK
1	NZ4015	0UNG1U	BOUCHON GROUPE CAPTEUR	SENSOR UNIT CAP					
2	NZ4010	0UNBNH	ENTRETOISE POUMON	CHAMBER SPACER					
3	NZ4016	0UNBNL	VIS POUMON GR STELLA	CHAMBER SCREW					
4	PH47	0UNG9K	VIS ST M6x8 LAITON	SCREW M6 X 8					
5	36510MPS	0UN377	CAPTEUR DE PRESSION 0-16b SENSATA	0-16b PRESSURE SENSOR					
6	35012	0UN003	BOBINE 24V	SOLENOID COIL 24V					
7	M80	0UN944	VIS TCHC M4x12 INOX	SCREW M4 X 12					
8	27717	0UNBFW	JOINT TORIQUE 1,78 X 6,07	GASKET 1.78 X 6.07					
9	34404	0UNBVY	SONDE THERMOSTATIQUE EPIC	THERMOSTATED PROBE					
10	TC80	0UN211	JOINT TORIQUE 1,78X2,90 FKM	GASKET 1.78X2.90 FKM					
11	23117	0UN134	GICLEUR DIAM:0,7	JET DIAM. 0.7					
12	CF326	0UNBPS	FILTRE INOX D.int=12 H=17,5	FILTER D:12 H:17,5					
13	PH54HI	0UN133	JOINT TORIQUE 2,62X13,95 EPDM	O RING - 13.95 x 2.62					
14	23100	0UNC1H	PORTE GICLEUR	NOZZLE HOLDER					
15	23127	0UN131	KIT PORTE GICLEUR Ø0.7	NOZZLE Ø 0.7 KIT					
16	35046	0UNJA3	EV 3VOIES 24V 50/60Hz	EV 3 WAYS 24V 50/60Hz					
17	28828	0UN050	RONDELLE RESSORT Ø54	RONDELLE RESSORT Ø54					
18	27718	0UN091	JOINT PISTON MOBILE 3.53 X 74.61	O RING 3.53 X 74.61					
19	NZ4008	0UNBNG	PISTON MONOGROUPE	SINGLE GROUP PISTON					
20	27800HI	0UNJTV	JOINT TORIQUE 2.62 X 52.07 NBR	GASKET 2.62 X 52.07					
21	PC17	0UN128	JOINT DE COUPE 57 x 75 x 9	HEAD GASKET 9mm					
22	NZ4007	0UNBNF	TASSOIR MONOGROUPE	SINGLE GROUP COMPACTOR					
23	50304	0UNDK5	VIS TC M6X25 INOX	S.STEEL SCREW M6X25					
24	31910	0UNBJB	RONDELLE DIFFUSEUR GROUPE	WASHER DIFFUSER					
25	92070	0UNBZA	DOUCHETTE BARISTA	BARISTA SPRAY					
26	50200	0UNBVT	VIS TETE POELIER M5 X 10 INOX	M5 X 10 SCREW			a;b;c;d;e;f;g;h;i;j;k;l;m;n;o; p;e1;f1;g1;h1;i1;j1;k1;l1; m1;n1		
26	50204	0UN982	VIS TH M5 x 10 INOX	SCREW M5 X 10			q;r;s;t;u;v;w;x;y;za1;b1;c1		
27	NZ4011	0UNBNI	PORTE COUPE BUTEE	BOWL HOLDER					
28	50401	0UNBVJ	VIS TCHC TETE BASSE M8X16 INOX	S.STEEL SCREW M8 X 16					
29	CN128	0UNA7E	VIS INOX TF M4 X 8	SCREW M4 X 8					
30	NZ4012	0UNBNJ	BUTEE DE COUPE	FILTER HOLDER STOP					
31	44720	0UN138	CAPTEUR DE COUPE COMPLET	FILTER HOLDER SENSOR KIT					
32	31202		GR. INJECTION PISTON MOBILE 24V 50 Hz	COMPLET INJECTION GROUP 24V 50Hz			b;d;f;g;i;k;m;o;r;s;t;u;za1; b1;c1;d1;f1;j1;k1;l1		
32	31212		GR. INJECTION PISTON MOBILE 24V 50 Hz AVEC EH	COMPLET INJECTION GROUP 24V 50Hz WITH EH			a;c;e;h;j;l;n;p;q;w;x;y;e1; g1;h1;i1;m1;n1		

Tube décompression groupe 1
1st group decompression pipe

Tube décompression groupe 2
2nd group decompression pipe

Tube décompression groupe 3
3rd group decompression pipe



Soupape HP
HP valve

Décompression 3e voie EV steamair (option)
3rd way (decompression) steamair electrovalve

Soupape BP vapeur et valve de purge
LP valve steam & purge valve

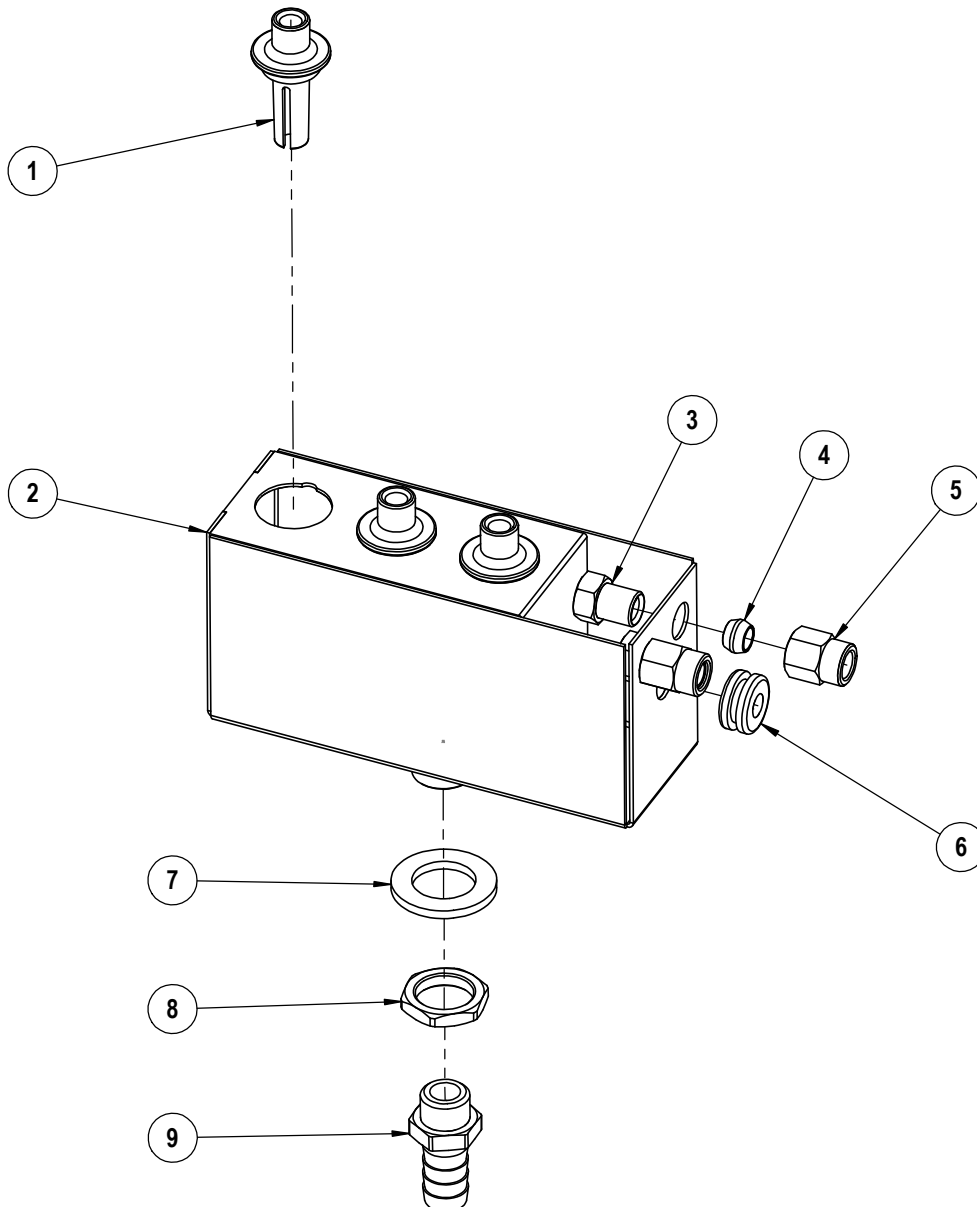


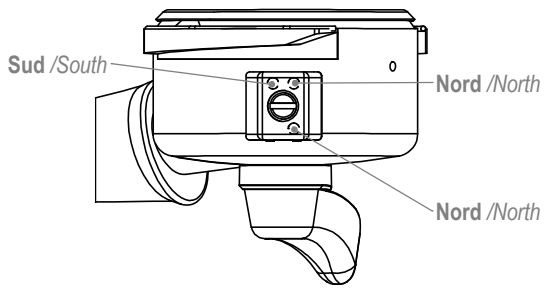
PLANCHE - PLATE 350

Pos.	Fact. code	Code	Description FR	Description GB	V	W&T	REF.	NOTES	S/N BREAK
1	DV7040	0UNBLV	EMBOUT DE DECOMPRESSION	DECOMPRESSION TIP					
2	SE2010	0UNHJJ	BOITE DECOMPRESSION SOUDEE	DRAIN BOX					
3	21350	0UNC1B	RACCORD 1/8M A SERTIR DIAM. 6	COMPRESSION CONNECTION 1/8					
4	21400	0UNC1C	BICONE DIAM. 6	BICONE DIAM. 6					
5	M134	0UN597	ECROU LAITON 1/8"	COMPRESSION NUT - 1/8					
6	M16	0UN880	PASSE FIL	GROMMET					
7	CN544	0UN901	RONDELLE ACIER ZN 17 x 28 x 2	WASHER					
8	NA18A	0UN698	ECROU LAITON 3/8 4 mm	3/8 NUT					
9	22901	0UNI7S	REDUCER G3/8M - G1/4F INOX	REDUCER G3/8M - G1/4F STAINLESS STEEL					

Disposition du sens des aimants D054

Layout direction of the magnets D054

1 TASSE / 1 CUP



2 TASSES / 2 CUPS

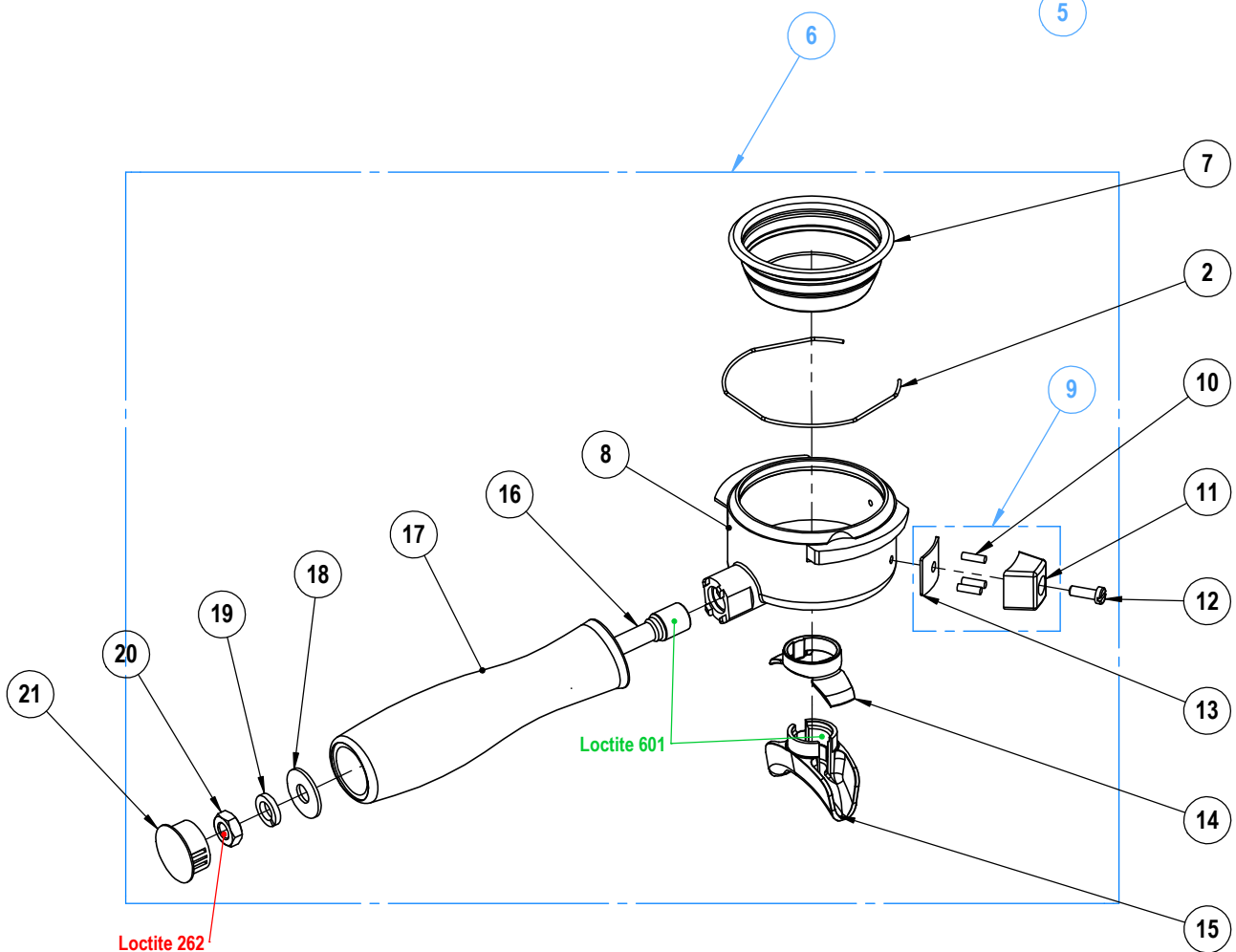
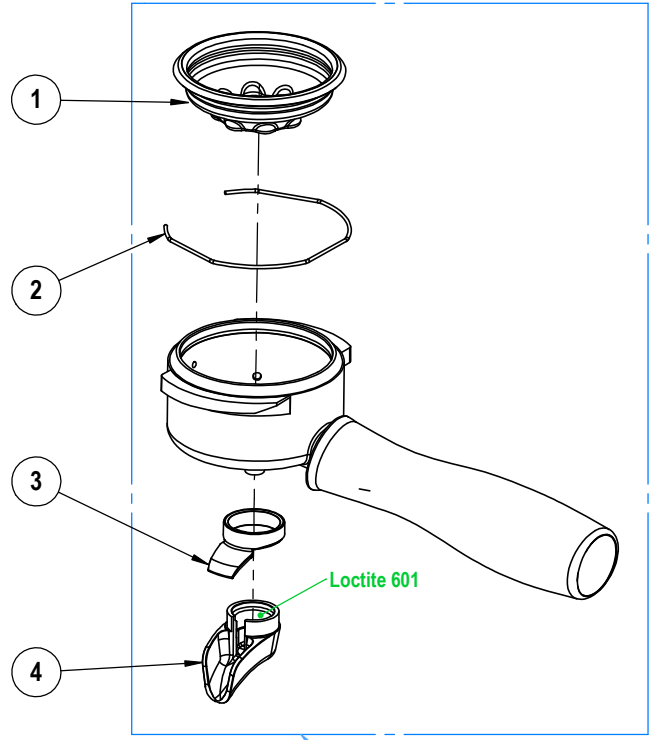
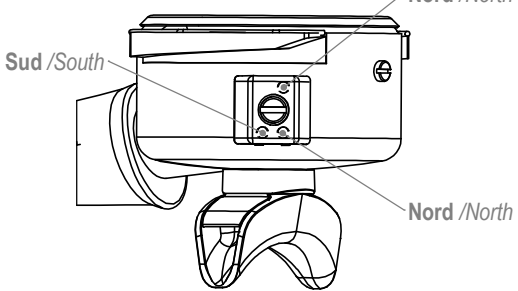


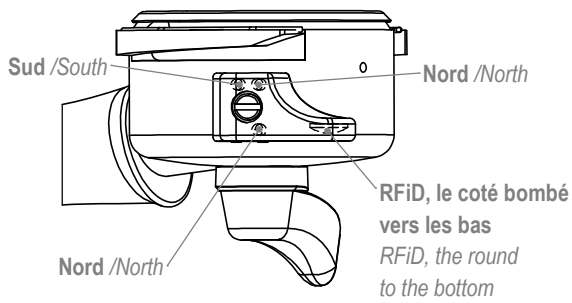
PLANCHE - PLATE 494

Pos.	Fact. code	Code	Description FR	Description GB	V	W&T	REF.	NOTES	S/N BREAK
1	33420	0UNBPT	FILTRE 1 TASSE	1 CUP FILTER					
2	PA85A	0UNBNW	RESSORT DE COUPE DIAM:1.3	FILTER SPRING DIAM:1.3					
3	33384	0UN514	OBTURATEUR BEC 1T	1 CUP OBTURATOR					
4	33381	0UN965	BEC 1 T CHROME	1 CUP SPOUT					
5	33161	0UNBJQ	COUPE COMPLETE 1T AVEC CAPTEUR	1 CUP FILT. HOLDER WITH SENSOR			a;c;e;h;j;l;n;p;q;v;w;x;y;e1; g1;h1;i1;m1;n1		
6	33162	0UNBJR	COUPE COMPLETE 2T AVEC CAPTEUR	2 CUP FILT. HOLDER WITH SENSOR			a;c;e;h;j;l;n;p;q;v;w;x;y;e1; g1;h1;i1;m1;n1		
7	33424	0UNBPQ	FILTRE 2 TASSES PENTAGONAL	2 CUPS FILTER					
8	33103	0UNC7S	COUPE NUE POUR CAPTEUR	FILTER HOLDER BODY WITH SENSOR					
9	33041	0UN143	PORTE AIMANT 1 T COMPLET	1 CUP MAGNET HOLDER				For 33161	
9	33042	0UN142	PORTE AIMANT 2 T COMPLET	2 CUPS MAGNET HOLDER				For 33162	
10	DO54	0UNA1A	AIMANT DIAM 3 L:10mm	MAGNET DIA:3 L:10mm					
11	DO2	0UNDXG	PORTE AIMANT	MAGNET HOLDER					
12	DO195	0UNA1L	VIS ACIER INOX TC 4 X 12	SCREW M4 X 12					
13	DO95	0UNDXM	JOINT PORTE-AIMANTS	MAGNET HOLDER JOINT					
14	33385	0UNBJT	OBTURATEUR BEC 2T	2 CUPS OBTURATOR					
15	33382	0UNBJS	BEC 2T CHROME	2 CUPS SPOUT					
16	33147	0UNBJP	AXE POIGNEE DE COUPE	AXLE FOR HANDLE					
17	33146	0UNBJO	POIGNEE DE COUPE	HANDLE					
18	CF199	0UN263	RONDELLE ACIER ZN 8x22x1,5	STEEL WASHER 8x22x1,5					
19	RR83	0UN592	RONDELLE GROVER DE 8	WASHER 8					
20	PE12	0UN430	ECROU M8	NUT M8					
21	33106	0UNBJK	BOUCHON POIGNEE DE COUPE	TAP FOR HANDLE					

Disposition du sens des aimants DO54

Layout direction of the magnets DO54

1 TASSE / 1 CUP



2 TASSES / 2 CUPS

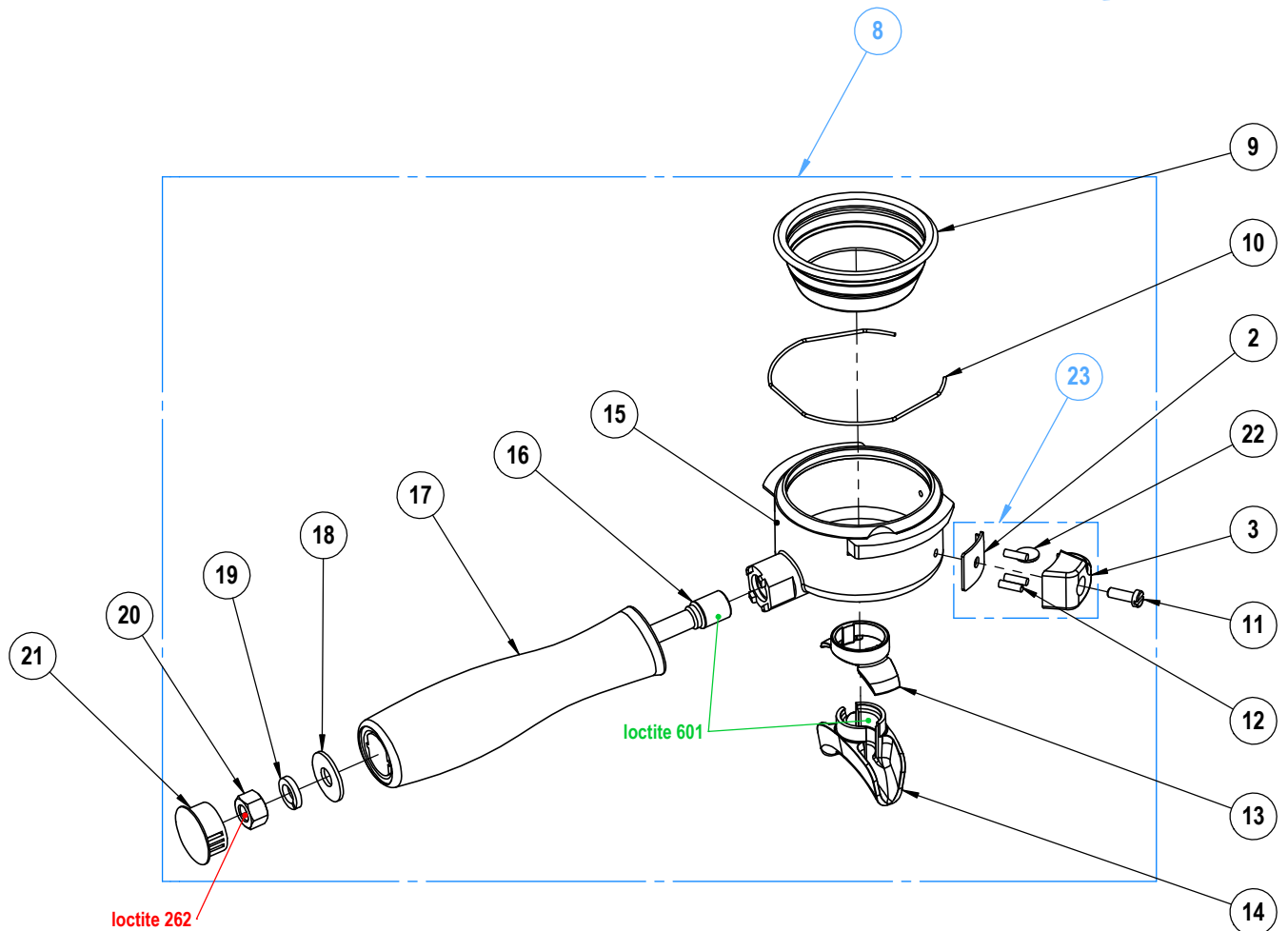
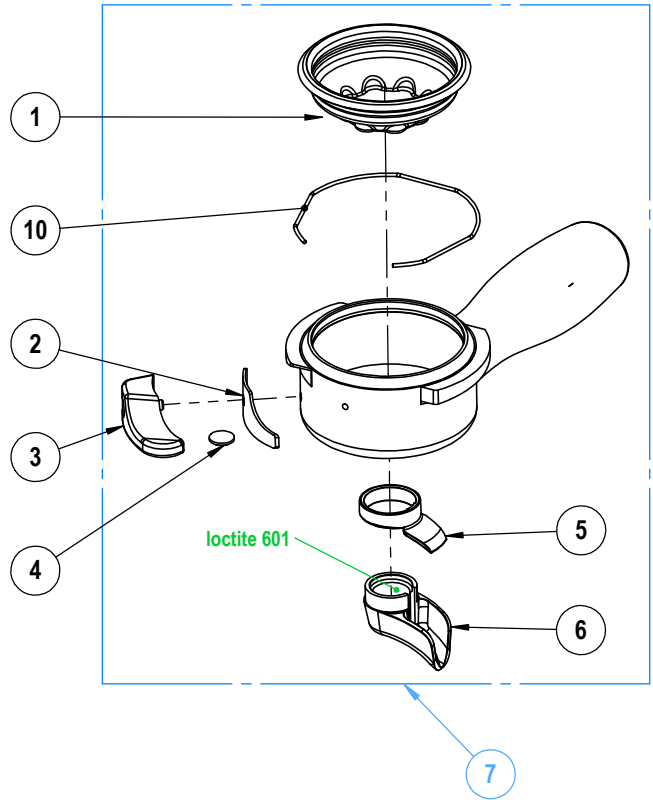
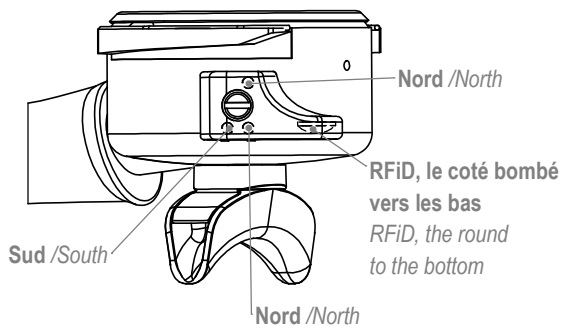
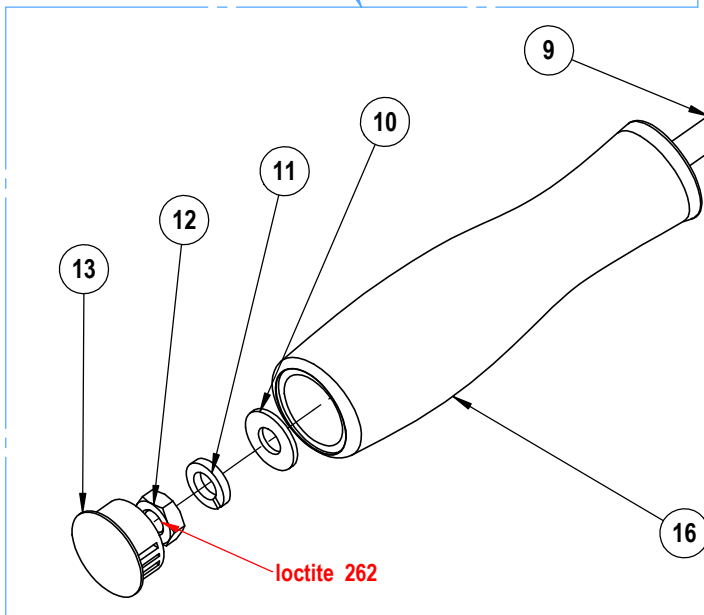
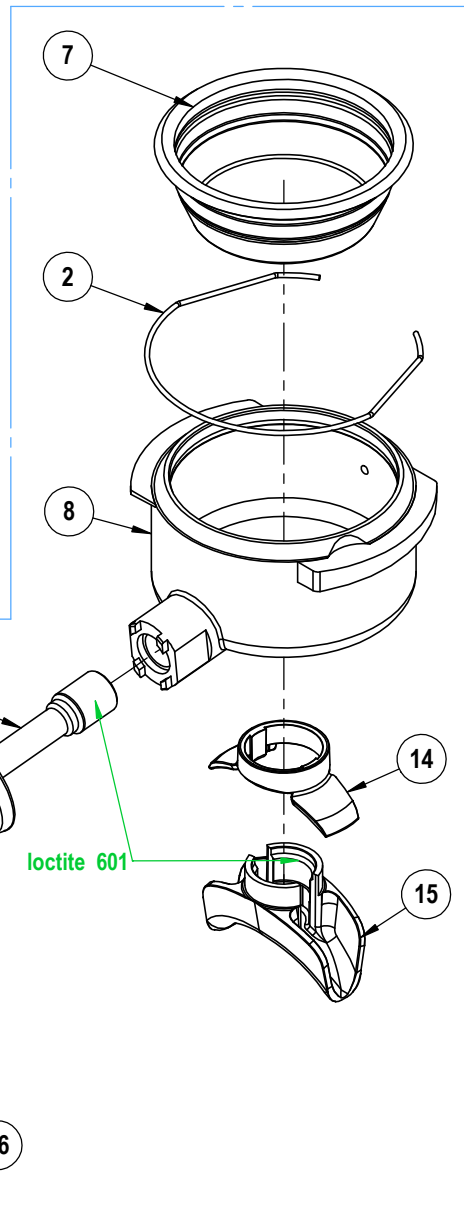
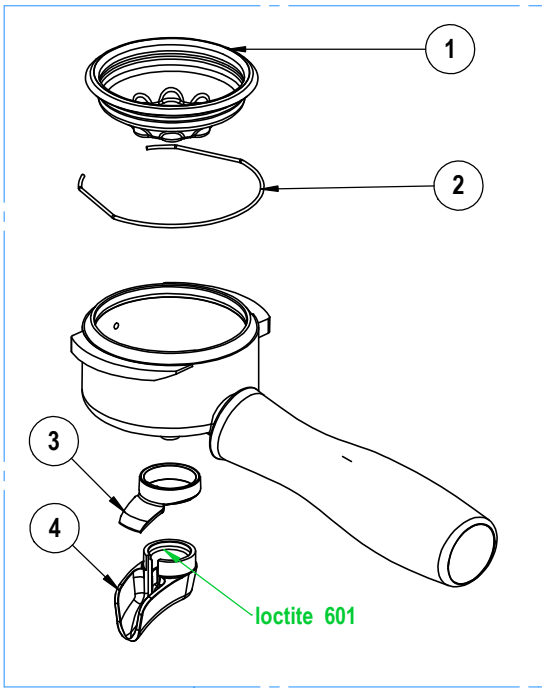


PLANCHE - PLATE 497

Pos.	Fact. code	Code	Description FR	Description GB	V	W&T	REF.	NOTES	S/N BREAK
1	33420	0UNBPT	FILTRE 1 TASSE	1 CUP FILTER					
2	33016	0UNC7L	JOINT POUR SUPPORT AIMANTS RFID	GASKET					
3	33015	0UNC7K	SUPPORT AIMANTS RFID	MAGNET HOLDER RFID					
4	33017	0UNC7M	CHIP RFID 1 TASSE	1 CUP CHIP RFID					
5	33384	0UN514	OBTURATEUR BEC 1T	1 CUP OBTURATOR					
6	33381	0UN965	BEC 1 T CHROME	1 CUP SPOUT					
7	33171	0UNBXL	COUPE COMPLETE 1T AVEC RFID	1 CUP FILT. HOLDER WITH RFID			h1		
8	33172	0UNB XK	COUPE COMPLETE 2T AVEC RFID	2 CUP FILT. HOLDER WITH RFID			h1		
9	33424	0UNBPQ	FILTRE 2 TASSES PENTAGONAL	2 CUPS FILTER					
10	PA85A	0UNBNW	RESSORT DE COUPE DIAM:1.3	FILTER SPRING DIAM:1.3					
11	DO195	0UNA1L	VIS ACIER INOX TC 4 X 12	SCREW M4 X 12					
12	DO54	0UNA1A	AIMANT DIAM 3 L:10mm	MAGNET DIA:3 L:10mm					
13	33385	0UNBJT	OBTURATEUR BEC 2T	2 CUPS OBTURATOR					
14	33382	0UNBJS	BEC 2T CHROME	2 CUPS SPOUT					
15	33103	0UNC7S	COUPE NUE POUR CAPTEUR	FILTER HOLDER BODY WITH SENSOR					
16	33147	0UNBJP	AXE POIGNEE DE COUPE	AXLE FOR HANDLE					
17	33146	0UNBJO	POIGNEE DE COUPE	HANDLE					
18	CF199	0UN263	RONDELLE ACIER ZN 8x22x1,5	STEEL WASHER 8x22x1,5					
19	RR83	0UN592	RONDELLE GROVER DE 8	WASHER 8					
20	PE12	0UN430	ECROU M8	NUT M8					
21	33106	0UNBJK	BOUCHON POIGNEE DE COUPE	TAP FOR HANDLE					
22	33018	0UNC7N	CHIP RFID 2 TASSES	2 CUPS CHIP RFID					
23	33007	0UNC7H	KIT PORTE AIMANT RFID 1T	1 CUP KIT RFID MAGNET HOLDER					
23	33008	0UNC7I	KIT PORTE AIMANT RFID 2T	2 CUP KIT RFID MAGNET HOLDER					



5

6

14/02

PORTE FILTRE POIGNEE LONGUE
 FILTER HOLDER LONG HANDLE

498

PLANCHE - PLATE 498

Pos.	Fact. code	Code	Description FR	Description GB	V	W&T	REF.	NOTES	S/N BREAK
1	33420	0UNBPT	FILTRE 1 TASSE	1 CUP FILTER					
1	33435	871017	FILTRE 1 TASSE 12 Gr -192 TROUS	12Gr 192 HOLES BARISTA FILTER			j1;k1;l1		
2	PA85A	0UNBNW	RESSORT DE COUPE DIAM:1.3	FILTER SPRING DIAM:1.3					
3	33384	0UN514	OBTURATEUR BEC 1T	1 CUP OBTURATOR					
4	33381	0UN965	BEC 1 T CHROME	1 CUP SPOUT					
5	33118	0UNC82	PORTE FILTRE 1 TASSE FILTRE BE	FILTER HOLDER 1 CUP FILTER BE			j1;k1;l1		
5	33181	871008	COUPE COMPLETE 1T	1 CUP FILTER HOLDER			b;d;f;g;i;k;m;o;r;s;t;u;z; a1;b1;c1;d1;f1		
6	33119	0UNC83	PORTE FILTRE 2 TASSE FILTRE B	FILTER HOLDER 2 CUP FILTER B			j1;k1;l1		
6	33182	871009	COUPE COMPLETE 2T	2 CUPS FILTER HOLDER					
6	33188	0UNC9Y	PORTE FILTRE 2 T STELLA	FILTER HOLDER 2 CUP STELLA			r;s;t;u;a1;b1;c1		
7	33424	0UNBPQ	FILTRE 2 TASSES PENTAGONAL	2 CUPS FILTER					
7	33426	0UNBZK	FILTRE 2 TASSES 14 Gr 620 TROUS SP BARISTA	14Gr 620 HOLES BARISTA FILTER			r;s;t;u;a1;b1;c1		
7	33434	0UNBJX	FILTRE 2 TASSES 18Gr-320 TROUS	18Gr 320 HOLES BARISTA FILTER			j1;k1;l1		
8	33102	0UNC7R	COUPE NUE	FILTER HOLDER BODY					
9	33147	0UNBJP	AXE POIGNEE DE COUPE	AXLE FOR HANDLE					
10	C16	0UNA5S	RONDELLE ACIER NICKELE M8	WASHER 8					
11	RR83	0UN592	RONDELLE GROVER DE 8	WASHER 8					
12	PE12	0UN430	ECROU M8	NUT M8					
13	33106	0UNBJK	BOUCHON POIGNEE DE COUPE	TAP FOR HANDLE					
14	33385	0UNBJT	OBTURATEUR BEC 2T	2 CUPS OBTURATOR					
15	33382	0UNBJS	BEC 2T CHROME	2 CUPS SPOUT					
16	33146	0UNBJO	POIGNEE DE COUPE	HANDLE					

Depuis l'évolution E19, 44709E est remplacé 44709EA dans le kit SE1064 (14)

From evolution E19, 44709E replaced by 44709EA in the kit SE1064 (14)

VEUILLEZ UTILISER UNIQUEMENT LA CLÉ USB FOURNIE DANS CE KIT
PLEASE ONLY USE THE USB KEY THAT COMES WITH THIS KIT

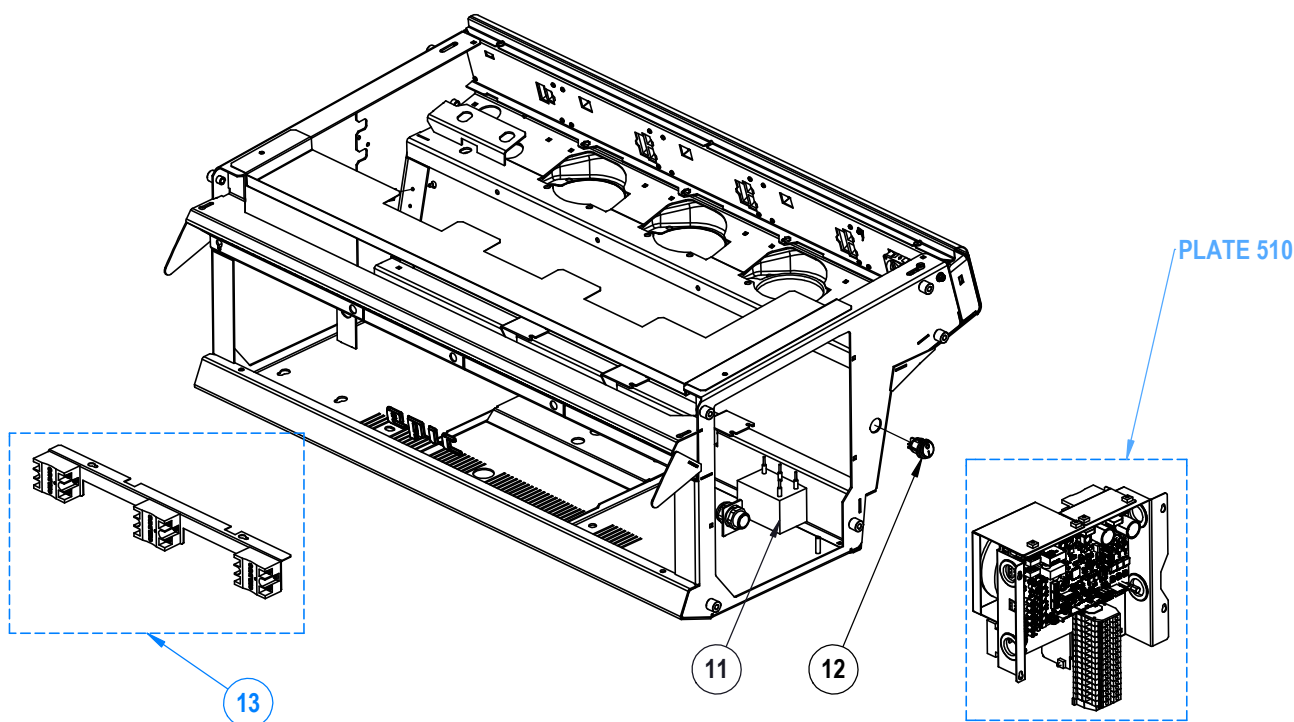
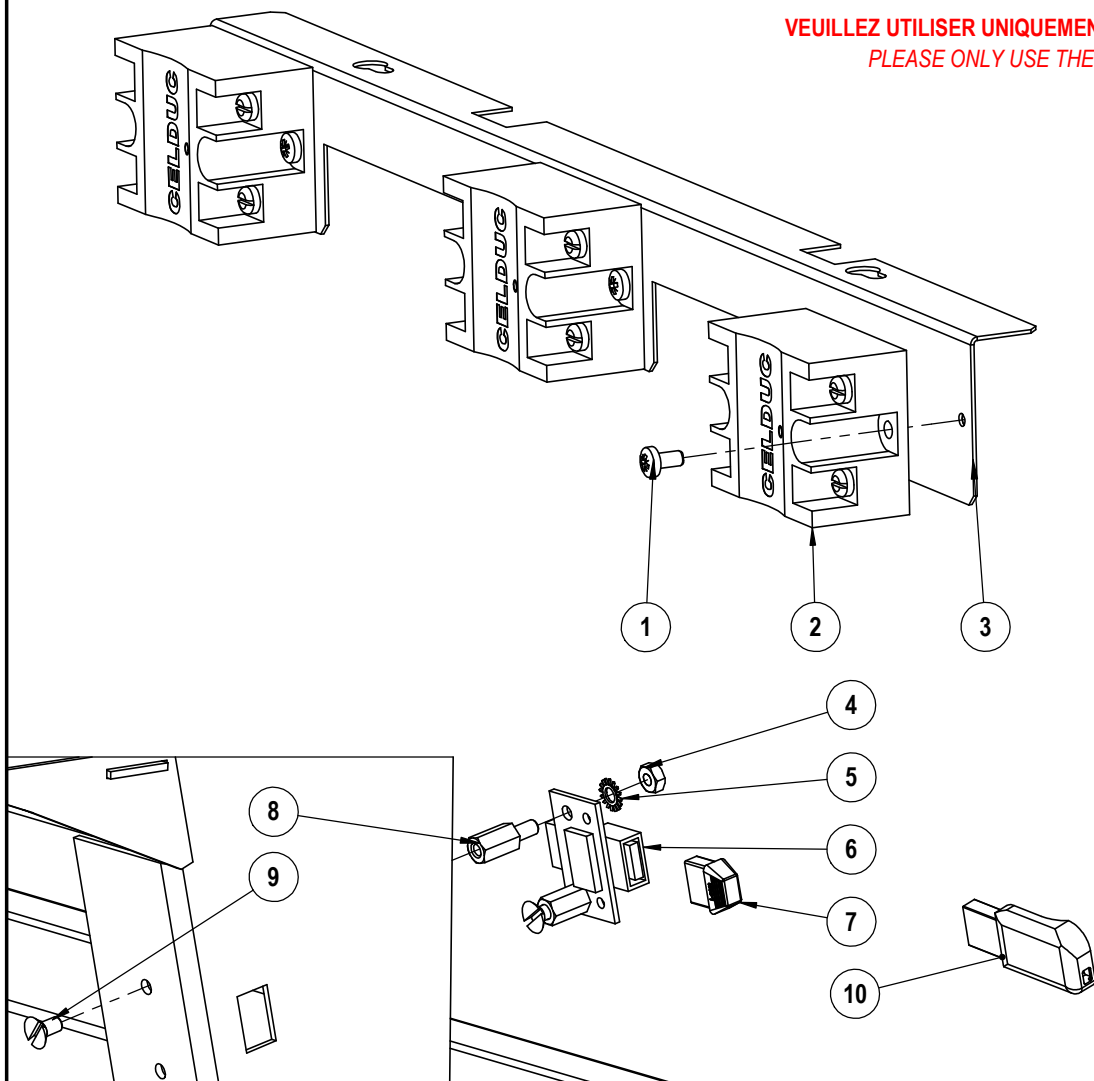


PLANCHE - PLATE 500

Pos.	Fact. code	Code	Description FR	Description GB	V	W&T	REF.	NOTES	S/N BREAK
1	50104	0UNDK1	VIS AUTOFORMEUSE TC M4 X 8	SCREW M4 X 8					
2	44410	0UN169	RELAIS STATIQUE 25A	SOLID STATE RELAY 25A					
3	NZ2002		SUPPORT RELAIS STATIQUES 2GR	2 UNITS SOLID STATE RELAY HOLDER				a;b;c;d;e;j;j;m;n;r;s;v;w;z; a1;d1;e1;h1;i1;j1;l1;n1	
3	NZ2003		SUPPORT RELAIS STATIQUES 3GR	3 UNITS SOLID STATE RELAY HOLDER				f;g;h;k;l;o;p;q;t;u;x;y;b1; c1,f1,g1;k1,m1	
4	PG14	0UN277	ECROU M4	NUT M4					
5	CN343	0UNA3M	RONDELLE EVENTAIL 4	WASHER 4					
6	44714	0UN515	PRISE USB	USB JACK					
7	53402	0UNA1C	BOUCHON PRISE USB	CAP FOR USB A JACK					
8	50113	0UNA1O	COLONNETTE M-F M4X13	SPACER M-F M4X13					
9	CN128	0UNA7E	VIS INOX TF M4 X 8	SCREW M4 X 8					
10	44709EA		Clé USB programmée EPIC nouvelle	Programmed USB key new					
11	44703	0UNDDF	FILTRE ANTIPARASITE RC	RC FILTER					
12	43415	0UNDC7	INTERRUPTEUR BIPOLAIRE A BASCULE	BIPOLAR SWITCH					
13	SE1062		SOUS ENSEMBLE RELAIS STATIQUE 2GR	2 UNITS STATIC RELAY SUBASSEMBLY				a;b;c;d;e;j;j;m;n;r;s;v;w;z; a1;d1;e1;h1;i1;j1;l1;n1	
13	SE1063		SOUS ENSEMBLE RELAIS STATIQUE 3GR	3 UNITS STATIC RELAY SUBASSEMBLY				f;g;h;k;l;o;p;q;t;u;x;y;b1; c1,f1,g1;k1,m1	
14	SE1064	0UNJE1	ECRAN BTA+CLE USB+NOTICE	KIT BTA DISPLAY+USB KEY+MANUAL					

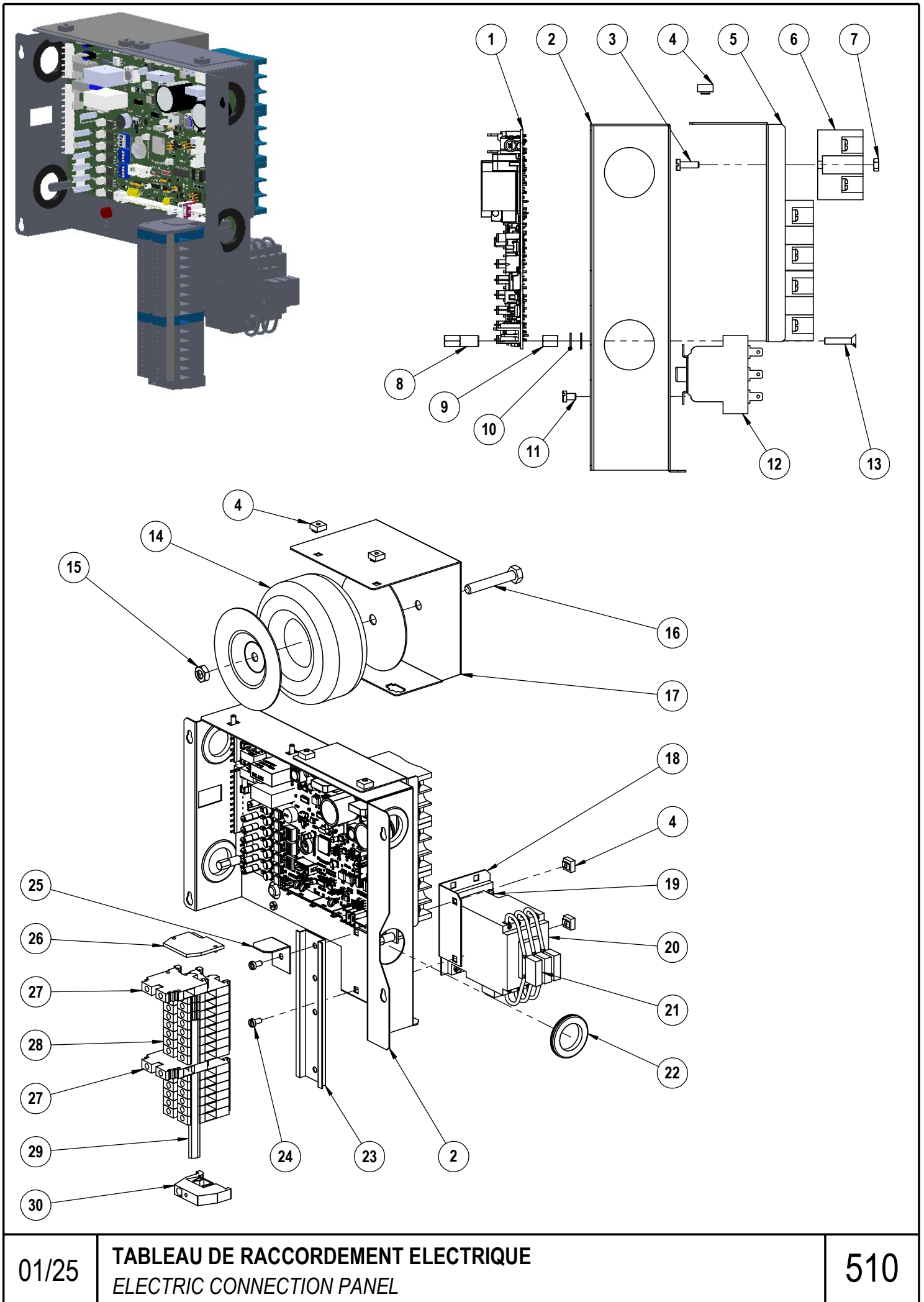


PLANCHE - PLATE 510

Pos.	Fact. code	Code	Description FR	Description GB	V	W&T	REF.	NOTES	S/N BREAK
1	45390	0UNBVX	CARTE CPU EPIC	EPIC CPU BOARD					
2	NZ2010		COFFRET ELECTRIQUE	ELECTRICAL BOX					
3	DO195	0UNA1L	VIS ACIER INOX TC 4 X 12	SCREW M4 X 12					
4	CN661	0UN184	ECROU CAGE M4, EP 1/1.6	INSERT NUT M4					
5	NZ2005		SUPPORT RELAIS	RELAY SUPPORT					
6	44410	0UN169	RELAIS STATIQUE 25A	SOLID STATE RELAY 25A					
7	PG14	0UN277	ECROU M4	NUT M4					
8	51053	0UN924	ECROU LONG M4	LONG NUT M4					
9	CN651	0UN940	ENTRETOISE COURTE DU C.I.	SHORT SPACER FRAME					
10	PG15B	0UNA3S	RONDELLE INOX 4.2X10X0.8	WASHER					
11	CN325	0UN284	VIS INOX TC 4 x 6	SCREW M4 X 6					
12	34202	0UN077	THERMOSTAT SECURITE 160C TRI UL	THERMOSTAT 160C UL					
13	CN124	0UNA1R	VIS INOX TF 4 x 20	SCREW M4 X 20					
14	44215	0UNBPU	TRANSFORMATEUR TOROIDAL 230V	TRANSFORMER 200-230-240V					
15	PE12	0UN430	ECROU M8	NUT M8					
16	S11	0UNHJE	VIS ACIER ZN TH 8 x 50	SCREW H M8X50					
17	NZ2008		SUPPORT TRANSFORMATEUR	TRANSFORMER SUPPORT					
18	NZ2012		EQUERRE SUPPORT CONTACTEUR	BRACKET CONTACTOR					
19	CN189	0UN274	VIS TC M4 X 16 INOX	SCREW M4 X 16					
20	43800	0UN087	CONTACTEUR TETRA. 220V 25A 50HZ	CONTACTOR 220V 25A 50HZ			ab;c;d;e;f;g;h;i;j;k;l;m; n;o;p;h1;i1;m1;n1		
20	43801	0UN578	CONTACTEUR TETRA. 200V 60HZ	CONTACTOR 200V 60HZ			q;r;s;t;u;v;w;x;y;za1;b1;c1; d1;e1;f1;g1;j1;k1;l1		
21	44710	0UNDDH	FILTRE ANTIPARASITE RC	RC FILTER					
22	42003	0UNDBY	PASSE FIL Ø38	GROMMET Ø38					
23	FR2013	0UNE5I	RAIL	RAIL					
24	V17	0UN544	RS 232 ECRAN TFT GAUCHE	SCREW M4 X 8					
25	NZ2011		EQUERRE ARRET BORNIER	BRACKET STOP					
26	41422	0UN602	FLASQUE D'EXTREMITÉ	FLANGE TERMINAL BLOCK					
27	AE51	0UN762	BORNIER GM BLEU	TERMINAL BLOCK BLUE					
28	AE50	0UN833	BORNIER GM GRIS	TERMINAL BLOCK GREY					
29	46035		ETIQUETTE BORNIER STELLA	TERMINAL BOARD STICKER					
30	41423	0UNDBT	BUTÉE SANS VIS BORNIER	END TERMINAL BOARD					

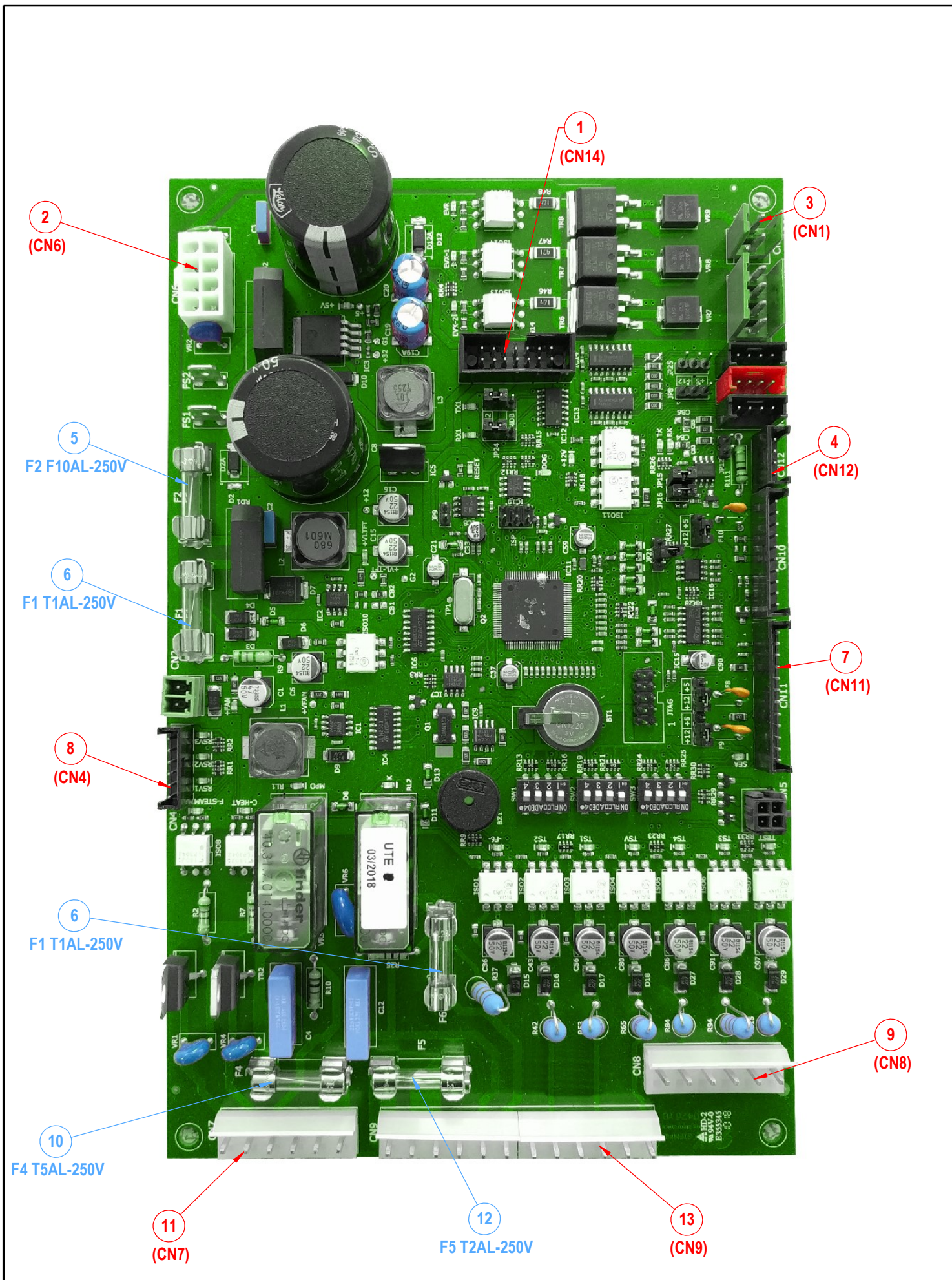


PLANCHE - PLATE 520

Pos.	Fact. code	Code	Description FR	Description GB	V	W&T	REF.	NOTES	S/N BREAK
1	NZ8006	0UNBNU	CABLE LIAISON CPU/BTA	LINK CPU/BTA CABLE					
2	SE8006	0UNHO6	CABLE ALIMENTATION CPU-BGX 24V AC/DC	CPU-BGX 24V AC/DC ALIMENTATION WIRE					
3	NZ8022	0UNG5B	CABLE EV REMPLISSAGE 2GR	2 UNITS EV FEEDING CABLE					
3	NZ8023	0UNG5C	CABLE EV REMPLISSAGE 3GR	3 UNITS EV FEEDING CABLE					
4	NZ8004	0UNBNT	CABLE LIAISON 485 CPU/BGX	LINK 485 CPU/BGX CABLE					
5	43114	0UN166	FUSIBLE 5 X 20 10A RAPIDE	FUSE 10A FAST					
6	43113	0UN114	FUSIBLE 5 X 20 1A RETARDE T	FUSE 1A DELAYED					
7	NZ8011	0UNG43	CABLE CAPTEUR CHAUDIERE VAPEUR	STEAM BOILER SENSOR CABLE					
8	NZ8020	0UNG5A	CABLE CMD RELAIS STATIQUE VAPEUR	STEAM SOLID STATE RELAY CABLE					
9	NZ8039	0UNG5L	CABLE CN8 CPU 3GR	3 UNITS CN8 CPU CABLE					
10	43115	0UN115	FUSIBLE 5 X 20 5A RETARDE T	FUSE 5A DELAYED					
11	SE8002	0UNHO4	CABLE COMMANDE POMPE 2GR	2 UNITS PUMP CONTROL WIRE					
11	SE8003	0UNHO5	CABLE COMMANDE POMPE 3GR	3 UNITS PUMP CONTROL WIRE					
12	43116	0UN118	FUSIBLE 5 X 20 2A RETARDE T	FUSE 2A DELAYED					
13	NZ8038	0UNBVM	CABLE CN9 CPU	CN9 CPU CABLE					

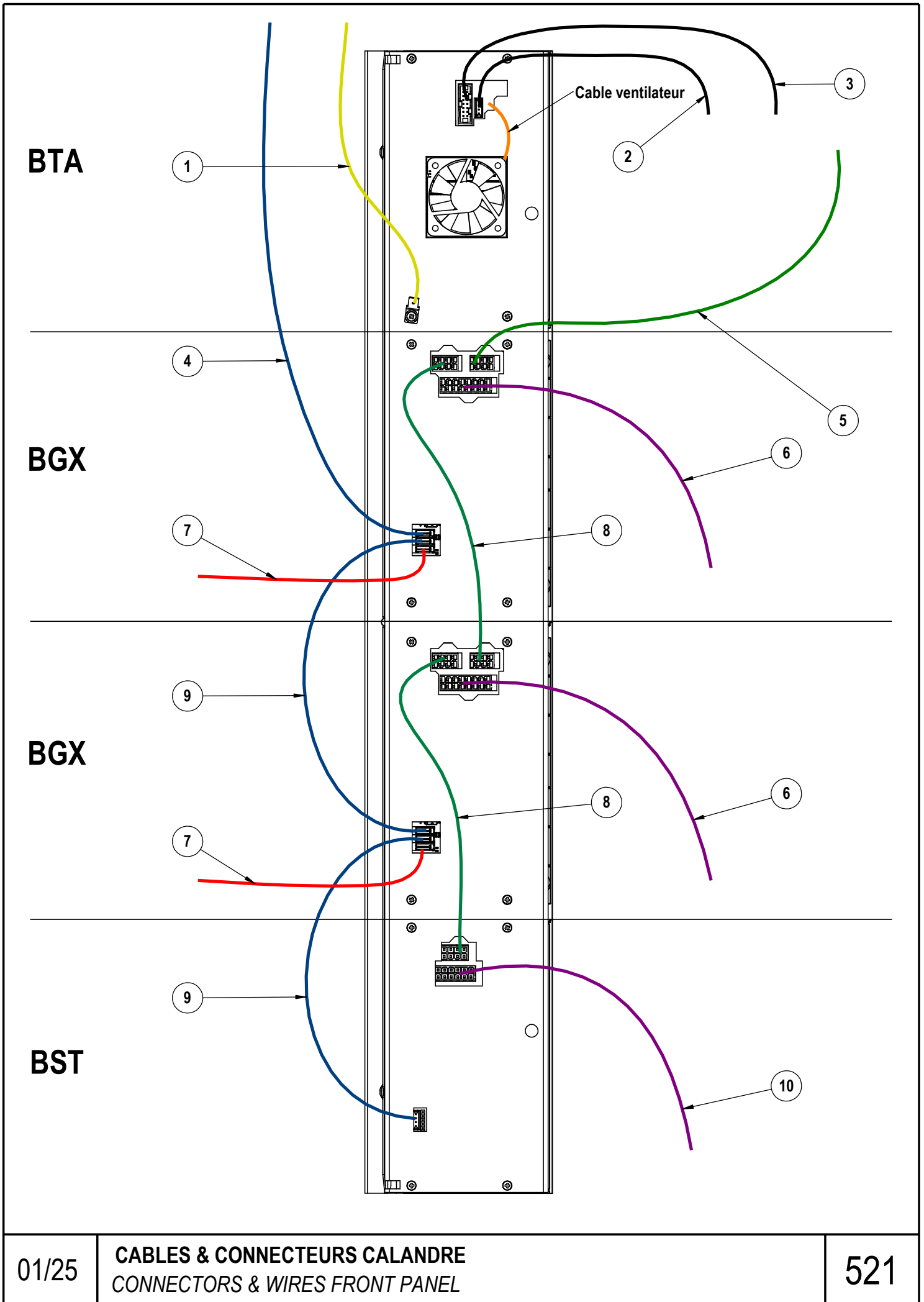


PLANCHE - PLATE 521

Pos.	Fact. code	Code	Description FR	Description GB	V	W&T	REF.	NOTES	S/N BREAK
1	SE8008		CABLE GND CALANDRE	FRONT PANEL GND WIRE					
2	SE8009		CABLE LIAISON USB-BTA STELLA EPIC 2	LINK WIRE USB-BTA EPIC 2			a;b;c;d;e;j;j;m;n;n;s;v;w;z; a1;d1;e1;h1;i1;j1;l1;n1		
2	SE8010		CABLE LIAISON USB-BTA STELLA EPIC 3	LINK WIRE USB-BTA EPIC 3			f;g;h;k;l;o;p;q;t;u;x;y;b1; c1,f1,g1;k1,m1		
3	NZ8006	0UNBNU	CABLE LIAISON CPU/BTA	LINK CPU/BTA CABLE					
4	NZ8004	0UNBNT	CABLE LIAISON 485 CPU/BGX	LINK 485 CPU/BGX CABLE					
5	SE8006	0UNHO6	CABLE ALIMENTATION CPU-BGX 24V AC/DC	CPU-BGX 24V AC/DC ALIMENTATION WIRE					
6	SE8000	0UNHO2	CABLE BGX	BGX WIRE					
7	NZ8007	0UNBXJ	CABLE DOSAMAT	DOSAMAT CABLE			a;c;e;h;j;l;n;p;q;v;w;x;y;e1; g1,h1,i1,m1,n1		
8	SE8007	0UNHO7	CABLE ALIMENTATION BGX-BGX 24V AC/DC	BGX-BGX 24V AC/DC ALIMENTATION WIRE					
9	NZ8005	0UNG3Z	CABLE LIAISON 485 BGX/BGX	LINK 485 BGX/BGX CABLE					
10	SE8001	0UNHO3	CABLE BST	BST WIRE					

NUM	DESIGNATION FR	DESIGNATION EN	C.N.	PIN	DESIGNATION PIN
1	CABLE ALIMENTATION MACHINE	MACHINE POWER WIRE			
1	CABLE ALIM MONO 220V UL/CSA	220V UL/CSA MACHINE POWER WIRE			
2	CABLE LIAISON 485 CPU/BGX	LINK 485 CPU/BGX CABLE	CN12	4	
3	CABLE LIAISON 485 BGX/BGX	LINK 485 BGX/BGX CABLE		4	
4	CABLE LIAISON CPU/BTA	LINK CPU/BTA CABLE		14	
5	CABLE DOSAMAT	DOSAMAT CABLE	CN4	4	
6	CAPTEUR CHAUDIERE VAPEUR	STEAM BOILER SENSOR CABLE	CN11	1	TERRE / MASSE
				2/3	SONDE NIVEAU CHAUDIERE
				4/5/6	CAPTEUR PRESSION CHAUDIERE VAPEUR
				8/9/10	CAPTEUR PRESSION ENTREE D'EAU
7	CMD RELAIS STATIQUE VAPEUR	STEAM SOLID STATE RELAY CABLE	CN4	1/2	RELAIS STATIQUE 3
				3/4	RELAIS STATIQUE 2
				5/6	RELAIS STATIQUE 1
8	CABLE EV REMPLISSAGE 2GR	2 UNITS EV FEEDING CABLE	CN1	1/2	EVR
8	CABLE EV REMPLISSAGE 3GR	3 UNITS EV FEEDING CABLE			
9	CABLE CN9 CPU	CN9 CPU CABLE	CN9	1	TRANSFO
				2/6	BORNIER
				3/5	CONTACTEUR
				7/8	TS2
				9/10	TS1
				11/12	TSV
9	CABLE CN8 CPU 3GR	3 UNITS CN8 CPU CABLE	CN8	3/4	TS3
10	CABLE ALIM MONO 240V 50HZ	240V 50HZ MACHINE POWER WIRE			
11	CABLE POUR LED GROUPE- EV	UNIT-EV CABLE FOR LED			
12	CABLE LED GROUPE	LED UNIT CABLE			
13	CABLE BGX	BGX WIRE	CN11	1/9	EVP
				2/10	EVK
				3/10/11	DOGX
				4/5/13	CAPTEUR PRESSION GROUPE
				6/14	SONDE TEMPERATURE GROUPE
				8/16	RELAIS STATIQUE
14	CABLE BST	BST WIRE		1/7	EV STEAM
				2/8	EV EAU
				3/9/10	DOE
				5/11	SONDE STEAMAIR
15	CABLE COMMANDE POMPE 2GR	2 UNITS PUMP CONTROL WIRE	CN7	3/6	ALIMENTATION POMPE
15	CABLE COMMANDE POMPE 3GR	3 UNITS PUMP CONTROL WIRE			
16	CABLE ALIM CPU-BGX 24V AC/DC	CPU-BGX 24V AC/DC ALIM WIRE		8	
17	CABLE ALIM BGX-BGX 24V AC/DC	BGX-BGX 24V AC/DC ALIM WIRE		8	
18	CABLE GND CALANDRE	FRONT PANEL GND WIRE		1	
19	CABLE LIAISON USB	USB LINK WIRE	CN2	4	USB

PLANCHE - PLATE 530

Pos.	Fact. code	Code	Description FR	Description GB	V	W&T	REF.	NOTES	S/N BREAK
1	FR8028	0UNFA4	CABLE ALIMENTATION MACHINE	MACHINE POWER WIRE			a;b;c;d;e;f;g;h;i;j;k;l;m;n;o; p;d1;e1;f1;g1;h1;i1;m1;n1		
1	FR8031	0UNFA6	CABLE ALIM MONO 220V UL/CSA	220V UL/CSA MACHINE POWER WIRE			q;r;s;t;u;v;w;x;y;z;a1;b1;c1; j1;k1;l1		
2	NZ8004	0UNBNT	CABLE LIAISON 485 CPU/BGX	LINK 485 CPU/BGX CABLE					
3	NZ8005	0UNG3Z	CABLE LIAISON 485 BGX/BGX	LINK 485 BGX/BGX CABLE					
4	NZ8006	0UNBNU	CABLE LIAISON CPU/BTA	LINK CPU/BTA CABLE					
5	NZ8007	0UNBXJ	CABLE DOSAMAT	DOSAMAT CABLE			a;c;e;h;j;l;n;p;q;v;w;x;y;e1; g1;h1;i1;m1;n1		
6	NZ8011MP	0UNG43	CABLE CAPTEUR CHAUDIERE VAPEUR	STEAM BOILER SENSOR CABLE					
7	NZ8020	0UNG5A	CABLE CMD RELAIS STATIQUE VAPEUR	STEAM SOLID STATE RELAY CABLE					
8	NZ8022	0UNG5B	CABLE EV REMPLISSAGE 2GR	2 UNITS EV FEEDING CABLE			a;b;c;d;e;j;j;m;n;r;s;v;w;z; a1;d1;e1;h1;i1;j1;l1;n1		
8	NZ8023	0UNG5C	CABLE EV REMPLISSAGE 3GR	3 UNITS EV FEEDING CABLE			f;g;h;k;l;o;p;q;t;u;x;y;b1; c1;f1;g1;k1;m1		
9	NZ8038	0UNBVM	CABLE CN9 CPU	CN9 CPU CABLE					
9	NZ8039	0UNG5L	CABLE CN8 CPU 3GR	3 UNITS CN8 CPU CABLE			f;g;h;k;l;o;p;q;t;u;x;y;b1; c1;f1;g1;k1;m1		
10	NZ8042		CABLE ALIM MONO 240V 50HZ	240V 50HZ MACHINE POWER WIRE					
11	NZ8053	0UNBPW	CABLE POUR LED GROUPE- EV	UNIT-EV CABLE FOR LED					
12	NZ8054	0UN070	CABLE LED GROUPE	LED UNIT CABLE					
13	SE8000	0UNHO2	CABLE BGX	BGX WIRE					
14	SE8001	0UNHO3	CABLE BST	BST WIRE					
15	SE8002	0UNHO4	CABLE COMMANDE POMPE 2GR	2 UNITS PUMP CONTROL WIRE			a;b;c;d;e;j;j;m;n;r;s;v;w;z; a1;d1;e1;h1;i1;j1;l1;n1		
15	SE8003	0UNHO5	CABLE COMMANDE POMPE 3GR	3 UNITS PUMP CONTROL WIRE			f;g;h;k;l;o;p;q;t;u;x;y;b1; c1;f1;g1;k1;m1		
16	SE8006	0UNHO6	CABLE ALIMENTATION CPU-BGX 24V AC/DC	CPU-BGX 24V AC/DC ALIMENTATION WIRE					
17	SE8007	0UNHO7	CABLE ALIMENTATION BGX-BGX 24V AC/DC	BGX-BGX 24V AC/DC ALIMENTATION WIRE					
18	SE8008		CABLE GND CALANDRE	FRONT PANEL GND WIRE					
19	TG8012	0UN065	CABLE LIAISON USB	USB LINK WIRE					

1 **Malette à accessoires barista**
Advanced barista box

2



3



4



5



6



7



8



9



10



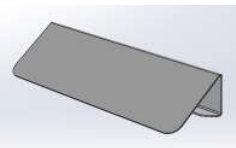
11



12



13



14



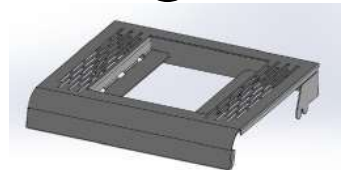
15



16



17



18



19



20



21



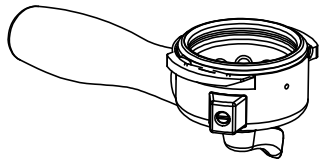
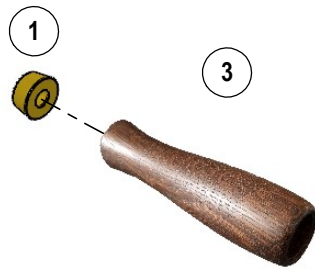
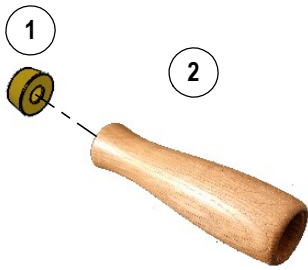
22



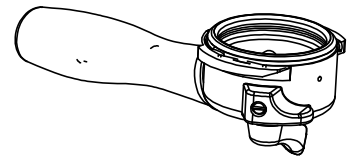
PLANCHE - PLATE 600

Pos.	Fact. code	Code	Description FR	Description GB	V	W&T	REF.	NOTES	S/N BREAK
1	92099	871062	MALETTE A ACCESSOIRES BARISTA	ADVANCED BARISTA BOX					
2	92019	0UNBVR	TASSOIR MANUEL DIAM 57MM UNIC NOIR	MANUAL TAMPER DIAM 57MM UNIC BLACK					
3	92071	0UNBZB	TASSOIR MANUEL NIVELEUR	MANUAL TAMPER LEVELER					
4	33126	0UNBXZ	COUPE COMPLETE BOTTOMLESS DOSAMAT	DOSAMAT BOTTOMLESS FILTER HOLDER					
4	33127	0UNC89	COUPE COMPLETE BOTTOMLESS	BOTTOMLESS FILTER HOLDER					
5	33435	871017	FILTRE 1 TASSE 12 Gr -192 TROUS	12Gr 192 HOLES BARISTA FILTER					
6	33434	0UNBJX	FILTRE 2 TASSES 18Gr-320 TROUS	18Gr 320 HOLES BARISTA FILTER					
7	33426	0UNBZK	FILTRE 2 TASSES 14 Gr 620 TROUS SP BARISTA	14Gr 620 HOLES BARISTA FILTER					
8	33427	871018	FILTRE 2 TASSES 18 Gr 620 TROUS SP BARISTA	18Gr 620 HOLES BARISTA FILTER					
9	33428	0UNBVS	FILTRE 3 TASSES 21Gr SP BARISTA	21Gr BARISTA FILTER					
10	92070	0UNBZA	DOUCHETTE BARISTA	BARISTA SPRAY					
11	92017	0UN222	BROSSE POUR NETTOYAGE GROUPE	BRUSH FOR CLEANING GROUP					
12	92075	0UNDNN	KIT NETTOYAGE	CLEANING KIT					
13	SE1005	0UNJTW	REFLECTEUR BARISTA	BARISTA MIRROR					
14	92072	0UNBZC	TAPIS BARISTA	BARISTA CARPET					
15	92073	0UNBZD	THERMOMETRE	THERMOMETER					
16	92074	0UNBZE	BALANCE	PRECISION SCALE					
17	SE2045	0UNHJK	REHAUSSE GRILLE BALANCE BARISTA	RAISE SCALE BALANCE BARISTA					
18	92076	0UNBZF	POT A LAIT 35 CL INOX	INOX MILK POT 35 CL					
19	92077	0UNBZG	POT A LAIT 50 CL INOX	INOX MILK POT 50 CL					
20	92078	0UNBZH	POT A LAIT 75 CL INOX	INOX MILK POT 75 CL					
21	92079	0UNBZI	POT A LAIT 1 L INOX	INOX MILK POT 1 L					
22	92080	0UNBZJ	CHIFFON MICROFIBRE	MICROFIBER CLOTH					

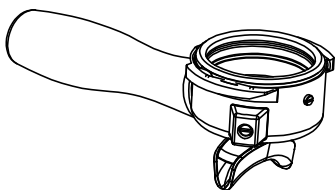
Pour les portes filtres en cuir, faire une demande spécifique pour la couleur du cuir.
For leather filter holder, do specific order for the leather color.



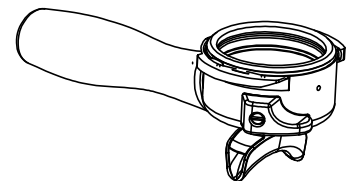
5



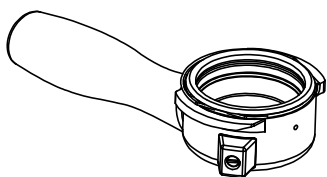
6



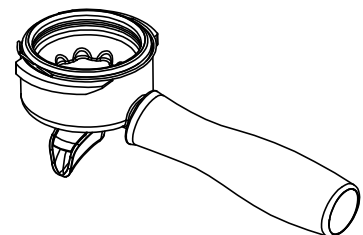
7



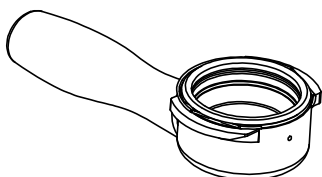
8



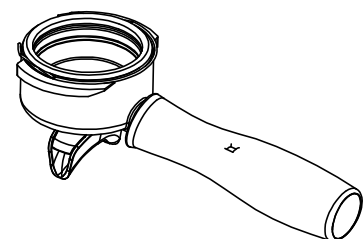
9



10



11



12

PLANCHE - PLATE 601

Pos.	Fact. code	Code	Description FR	Description GB	V	W&T	REF.	NOTES	S/N BREAK
1	SE4008	0UNHM8	ENTRETOISE POIGNEE BOIS	WOODEN HANDLE SPACER				for wood	
2	33143	0UNC9H	POIGNEE DE COUPE BOIS CHENE	HANDLE OAK WOOD					
3	33144	0UNC9I	POIGNEE DE COUPE BOIS WENGE	HANDLE WENGE WOOD					
4	33145		POIGNEE DE COUPE CUIR	HANDLE LEATHER					
5	33161BC	0UNJDG	COUPE COMPLETE 1T AVEC CAPTEUR CHENE	1 CUP FILT. HOLDER WITH SENSOR OAK					
5	33161BF	0UNJDH	COUPE COMPLETE 1T AVEC CAPTEUR WENGÉ	1 CUP FILT. HOLDER WITH SENSOR WENGE					
5	33161C		COUPE COMPLETE 1T AVEC CAPTEUR CUIR	1 CUP FILT. HOLDER WITH SENSOR LEATHER					
6	33171BC		COUPE COMPLETE 1T AVEC RFID CHENE	1 CUP FILT. HOLDER WITH RFID OAK					
6	33171BF		COUPE COMPLETE 1T AVEC RFID WENGÉ	1 CUP FILT. HOLDER WITH RFID WENGE					
6	33171C		COUPE COMPLETE 1T AVEC RFID CUIR	1 CUP FILT. HOLDER WITH RFID LEATHER					
7	33162BC	0UNJDI	COUPE COMPLETE 2T AVEC CAPTEUR CHENE	2 CUP FILT. HOLDER WITH SENSOR OAK					
7	33162BF	0UNJDJ	COUPE COMPLETE 2T AVEC CAPTEUR WENGÉ	2 CUP FILT. HOLDER WITH SENSOR WENGE					
7	33162C		COUPE COMPLETE 2T AVEC CAPTEUR CUIR	2 CUP FILT. HOLDER WITH SENSOR LEATHER					
8	33172BC		COUPE COMPLETE 2T AVEC RFID CHENE	2 CUP FILT. HOLDER WITH RFID OAK					
8	33172BF		COUPE COMPLETE 2T AVEC RFID WENGÉ	2 CUP FILT. HOLDER WITH RFID WENGE					
8	33172C		COUPE COMPLETE 2T AVEC RFID CUIR	2 CUP FILT. HOLDER WITH RFID LEATHER					
9	33126BC	0UNJDS	COUPE COMPLETE BOTTOMLESS DOSAMAT CHENE	DOSAMAT BOTTOMLESS FILTER HOLDER OAK					
9	33126BF	0UNJDT	COUPE COMPLETE BOTTOMLESS DOSAMAT WENGÉ	DOSAMAT BOTTOMLESS FILTER HOLDER WENGE					
9	33126C		COUPE COMPLETE BOTTOMLESS DOSAMAT CUIR	DOSAMAT BOTTOMLESS FILTER HOLDER LEATHER					
10	33181BC	0UNJBE	COUPE COMPLETE 1T CHENE	1 CUP FILTER HOLDER OAK					
10	33181BF	0UNJBA	COUPE COMPLETE 1T WENGÉ	1 CUP FILTER HOLDER WENGE					
10	33181C		COUPE COMPLETE 1T CUIR	1 CUP FILTER HOLDER LEATHER					
11	33127BC	0UNJBD	COUPE COMPLETE BOTTOMLESS CHENE	BOTTOMLESS FILTER HOLDER OAK					
11	33127BF	0UNC9A	COUPE COMPLETE BOTTOMLESS WENGÉ	BOTTOMLESS FILTER HOLDER WENGE					
11	33127C		COUPE COMPLETE BOTTOMLESS CUIR	BOTTOMLESS FILTER HOLDER LEATHER					
12	33182BC	0UNJBF	COUPE COMPLETE 2T CHENE	2 CUPS FILTER HOLDER OAK					
12	33182BF	0UNC9T	COUPE COMPLETE 2T WENGÉ	2 CUPS FILTER HOLDER WENGE					
12	33182C		COUPE COMPLETE 2T CUIR	2 CUPS FILTER HOLDER LEATHER					