

V80



Spare parts manual

Valid from machine number:
80002012

Varimixer

Varimixer USA
2215 East River Road P: (800) 222-1138
Moraine, Ohio 45439 varimixerusa.com

EN

DRN: 24080-1336
2022 10 31

SPEED REGULATION.....	3
TRANSMISSION	4
PLANETARY HEAD	6
MACHINE COLUMN.....	8
SAFETY GUARD	10
LIFTING SYSTEM	12
ATTACHMENT DRIVE.....	14
MICROSWITCHES	16
CABLES.....	17
ELECTRIC COMPONENTS.....	18
FRONT PANEL ASSEMBLY.....	20
BOWLS AND MIXING TOOLS	22

ORDERING OF SPARE PARTS:

Sales of spare parts for our mixers, are handled in our sales and service department. When ordering spare parts, the following information must be provided:

- 1. Type of machine.**
- 2. Number of the machine.**
- 3. Article number of the spare part in question. (Order no.)**
- 4. Method of conveyance.**

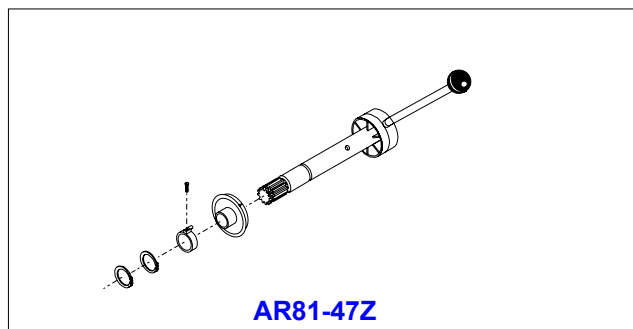
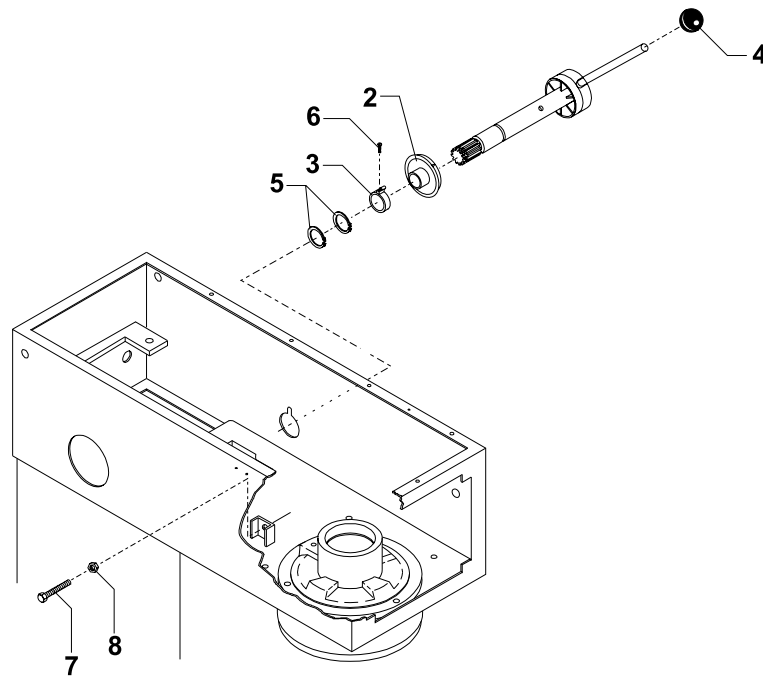
If one of the above pieces of information is missing, please contact our sales and service department before placing the order, as then we can assist you in finding the correct article number (**order no.**) of the spare part in question.

A few spare parts are not sold alone, in such cases reference is made at the pos.number to the assembly number to be used for ordering. The assembly numbers are shown on the relevant pages.

Returning of spare parts is only allowed when agreed with:

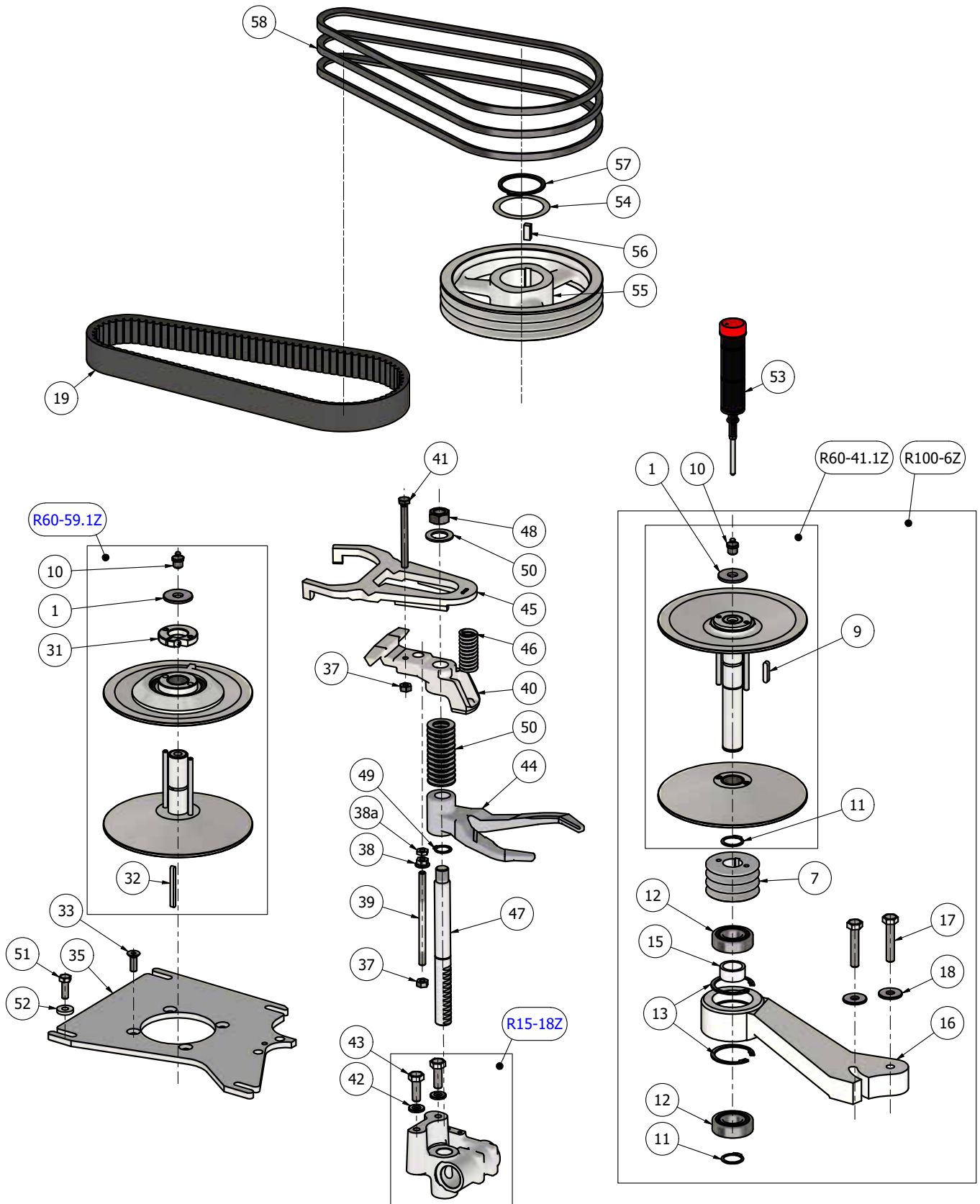
Varimixer A/S

FIG NO.	ORDER NO.	DESCRIPTION
2	AR30-47.10	Disc with arrow
3	AR30-47.11	Clamp
4	STA3306	Knob
5	STA3414	Circlip
6	STA5247	Screw
7	STA5439	Screw
8	STA5810	Nut
..... AR81-47Z.....		Speed selector assembly



TRANSMISSION

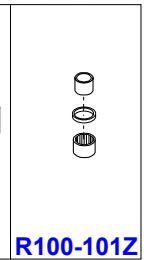
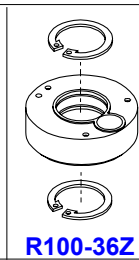
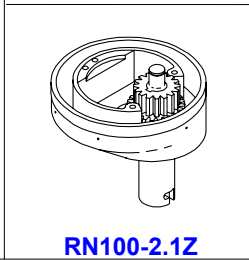
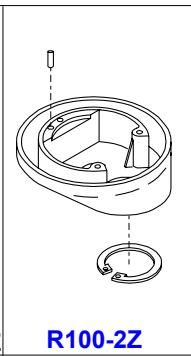
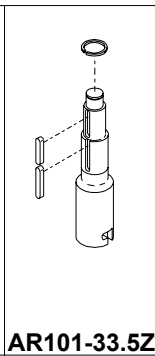
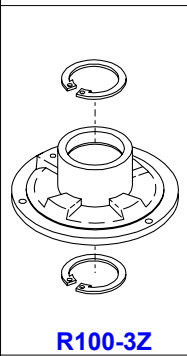
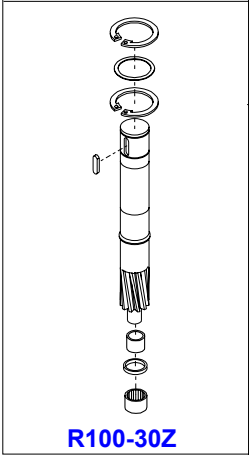
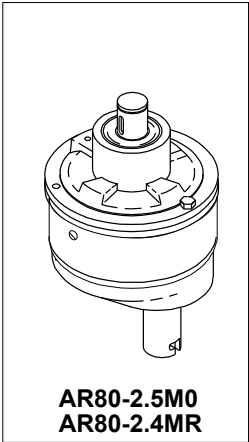
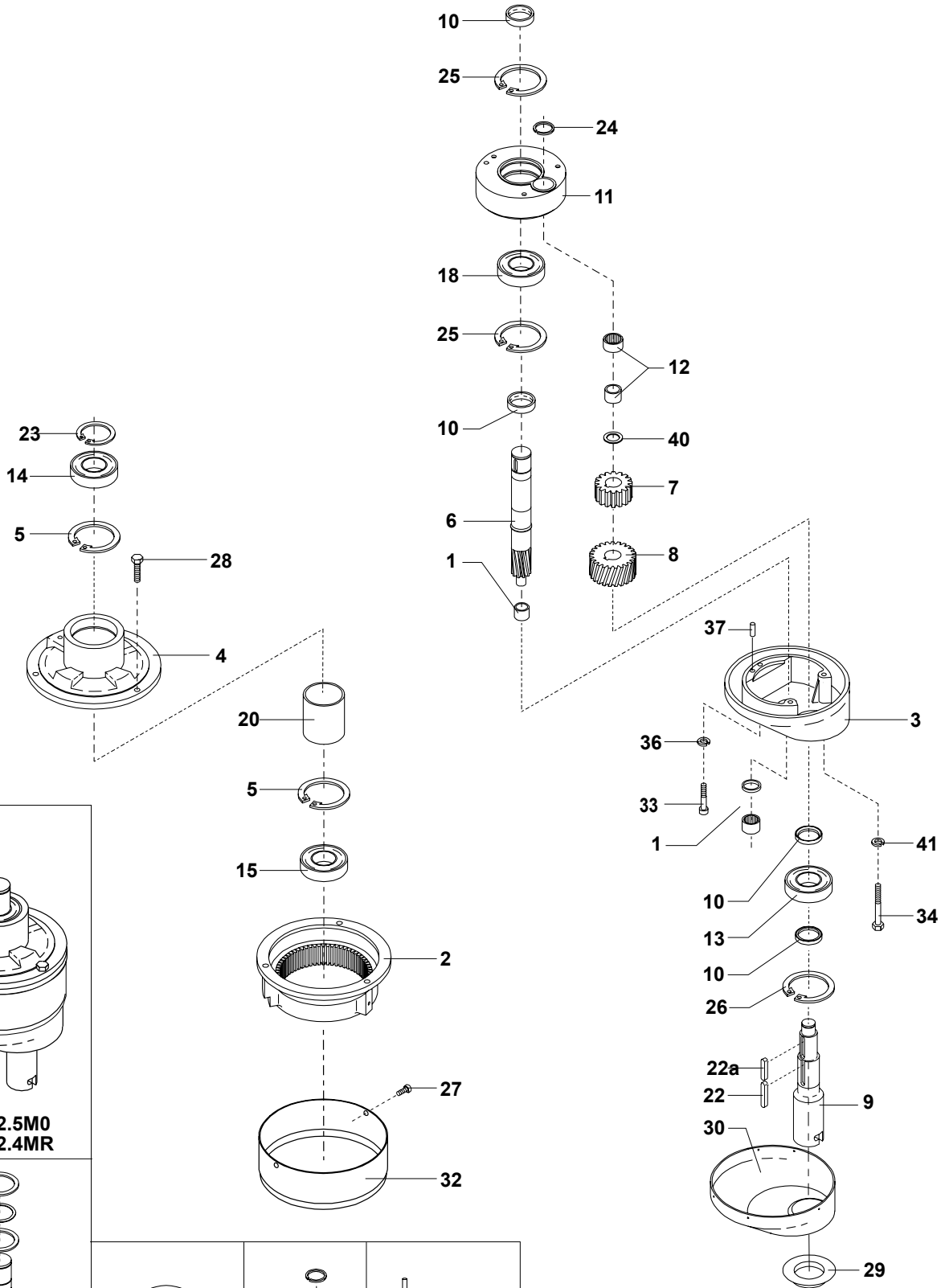
FIG NO.	ORDER NO.	DESCRIPTION
1	STA6018	Washer
7	R100-128	Pulley small
9	STA2024	Feather Key
10	STA3220	Grease nipple
11	STA3410	Circlip
12	6205 2RS	Ball bearing
13	STA3514	Circlip
15	R100-143	Distance bushing
16	R100-6	Bearing arm
17	STA5348	Hex cap screw
18	STA6033	Washer
19	R60-91	V-belt
31	R27-227Z	Clamping ring
32	STA2011	Feather Key
33	STA5018	countersunk head screw
35	R60-61.1E	Base for motor
36	R15-18Z	Bearing bracket
37	STA5810	Hex Nut
38	STA5895	Hex flange nut
38a	STA5812	Hex Nut
39	AR81-305	Stud bolt
40	R20-26.1	Support bracket for belt
41	STA5446	Hex cap screw
42	STA6026	Washer
43	STA5345	Hex cap screw
44	R27-16	Fork for belt tightener, lower
45	R20-19	Fork for belt tightener
46	W40P-275	Compression spring
47	R15-46Z	Toothed rack shaft
48	STA5815	Hex Nut
49	STA3407	Circlip
50	STA6040	Washer
51	STA5433	Hex cap screw
52	STA6034	Washer
53	R15-142	Grease gun
54	STA6048	Washer
55	R100-129A	Belt pulley
56	STA2030	Feather Key
57	STA3419	Circlip
58	R100-90.1	V-belt



- R60-59.1Z Motor pulley, assembly
- R100-6Z Pulley bearing arm, assembly
- R60-41.1Z Pulley assembly
- R15-18Z Bearing bracket, assembly

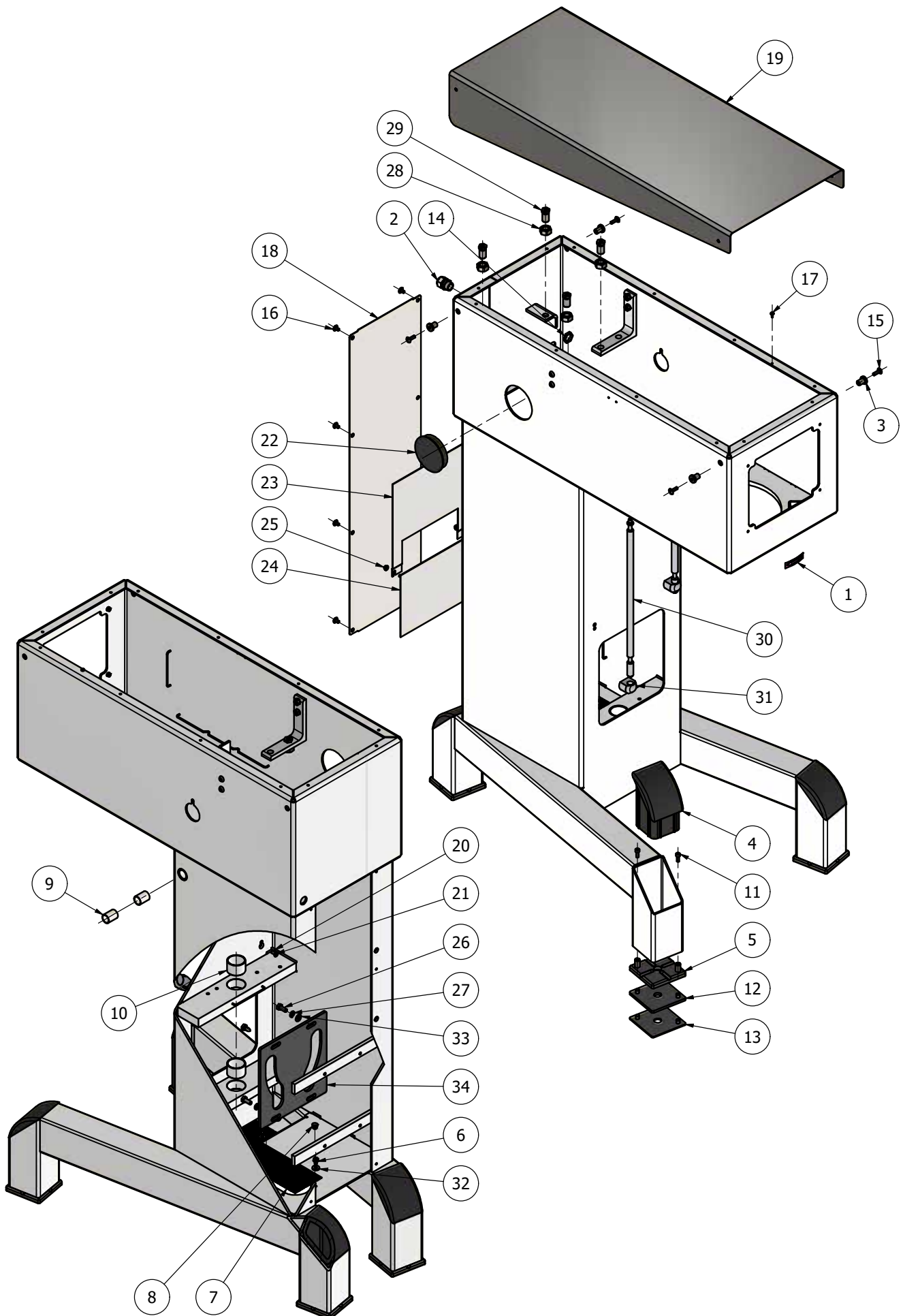
PLANETARY HEAD

FIG NO.	ORDER NO.	DESCRIPTION
.....	*1) .. AR80-2.5M0.....	Planetary head, assembly
.....	*3) .. AR80-2.4MR.....	
1	R100-101Z.....	Needle bearing, kit
2	*1) .. R100-1	Gear wheel rim
.....	*3) .. R100-1M5.....	
3	*1) .. R100-2Z.....	Eccentric head, kit
.....	*3) .. R100-2M5.....	
4	*1) .. R100-3Z.....	Main bearing, kit
.....	*3) .. R100-3M5.....	
5	STA3532	Circlip
6	R100-30	Main shaft
7	AR140-31.....	Rim pinion
8	R100-32.1	Rim pinion, lower
9	AR101-33.5.....	Bayonet shaft
10	R100-37	Distance piece
11	R100-36.....	Eccentric disc
12	R100-96.....	Needle bearing
13	R100-97.....	Ball bearing
14	R100-98.....	Ball bearing
15	R100-99.....	Ball bearing
18	R100-100.....	Ball bearing
20	R100-141.....	Distance tube
22	STA2039.....	Feather Key
22a	STA2034.....	Feather Key
23	STA3419.....	Circlip
24	STA3478.....	Circlip
25	STA3530.....	Circlip
27	*1) .. STA5263.....	Screw
.....	*3) .. STA9003.....	
28	STA5333.....	Screw
29	R100-209.....	Seal ring
30	W100-272.....	Cap, planetary head
32	AR80-162H.....	Plastic cap
33	STA5644.....	Screw
34	STA5652.....	Screw
36	STA6057.....	Lock washer
37	STA6460.....	Grooved pin
40	R100-235.....	Washer
41	STA6029.....	Washer
.....	*1) .. Standard version.....	
.....	*3) .. Stainless steel frame version	
.....	R100-30Z.....	Main shaft, kit
*1).....	R100-3Z.....	Main bearing, kit
.....	AR101-33.5Z.....	Bayonet shaft, kit
*1).....	R100-2Z.....	Eccentric head, kit
*1).....	RN100-2.1Z	Eccentric head mounted
.....	R100-36Z.....	Eccentric disc, kit
.....	R100-101Z.....	Needle bearing, kit



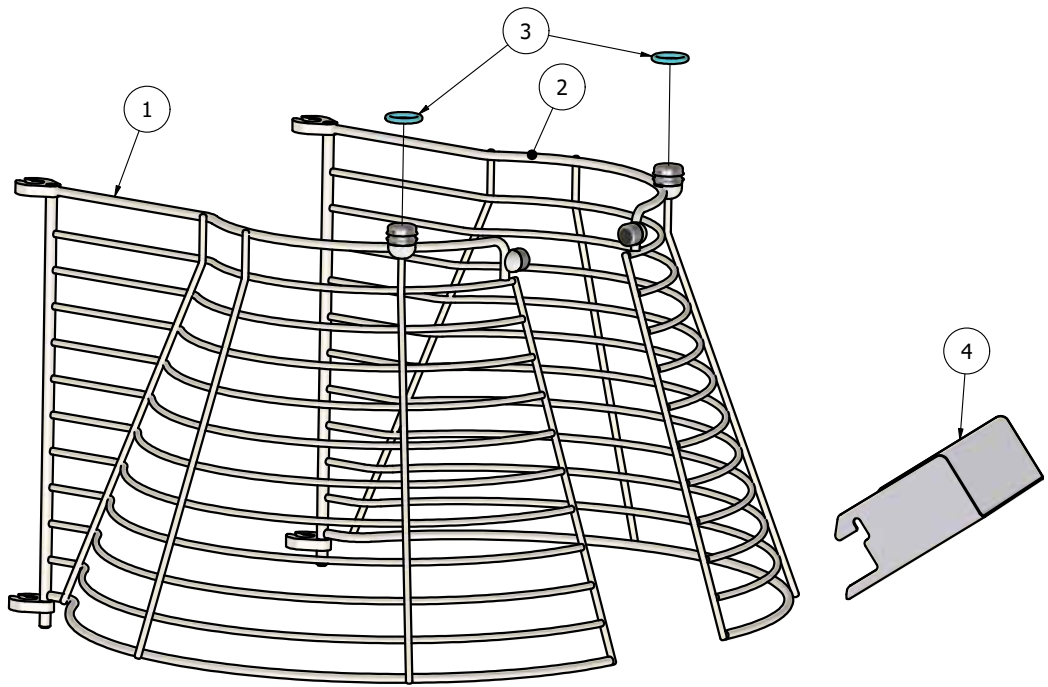
MACHINE COLUMN

FIG NO.	ORDER NO.	DESCRIPTION
1	R15-245	Arrow sign
2	STA3002	Cable gland
3	STA6580	Threaded bushing
4	AR80-212	Blanking plug
5	AR80-213	Base plate
6	STA5045	Screw
7	AR31-22.180	Grate
8	STA6511	Plug button
9	STA2515	Bearing bushing
10	STA2526	Bearing bushing
11	STA5615	Socket head screw
12	AR80-214.6	Adjustment plate, 3mm
13	AR80-214.3	Adjustment plate, 6mm
14	STA3014	Cable gland nut
15	STA5017	Screw
16	STA5080	Screw
17	STA5232	Self tapping Screw
18	AR81-22.17R	Cover plate
19	AR81P-21	Top cover
20	STA5724	Set screw
21	STA5624	Countersunk head screw
22	STA6510	Plug button
23	AR81-270	Cover plate, upper
24	AR81-271	Cover plate, lower
25	STA5897	Hex flange nut
26	STA5322	Hex cap screw
27	STA6056	Lock washer
28	STA5815	Hex nut
29	R20-148	Threaded bushing
30	56AE140-25	Shaft for Safety guard
31	56AE140-25.1	Bracket for Safety guard
32	STA6165	Washer
33	STA6020	Washer
34	AR81-71	Guide plate for bowl arms



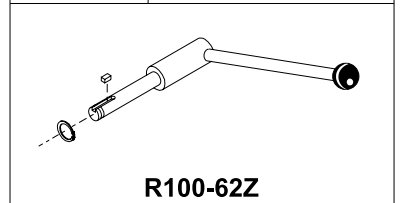
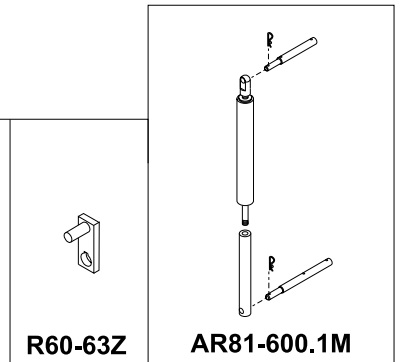
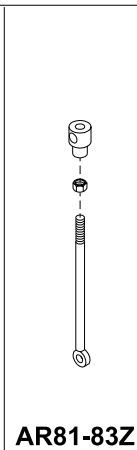
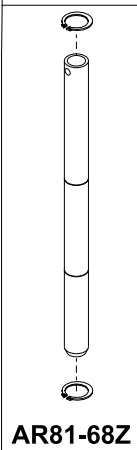
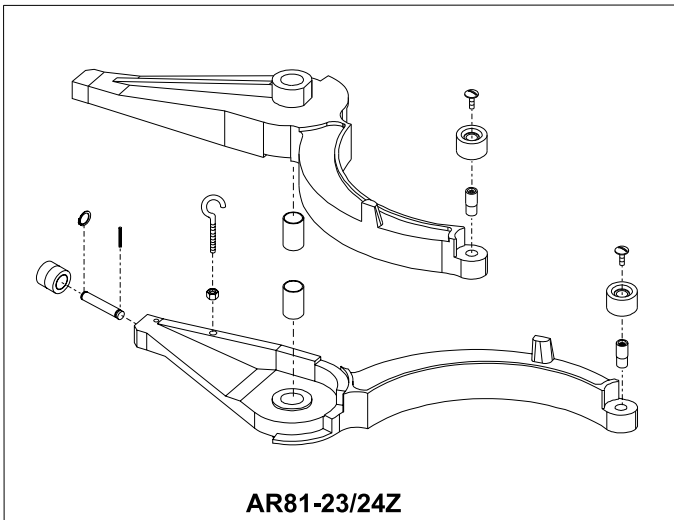
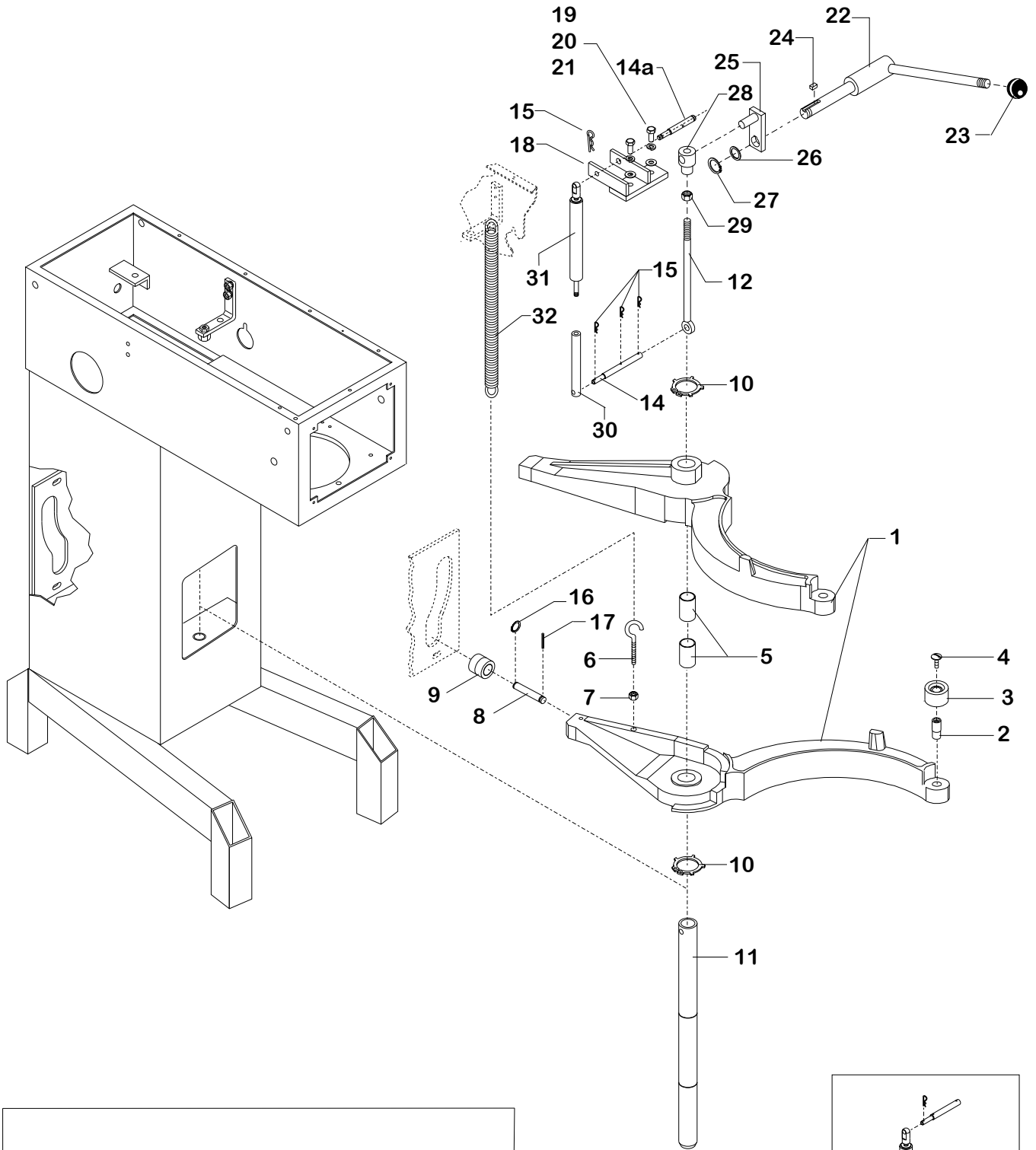
SAFETY GUARD

FIG NO.	ORDER NO.	DESCRIPTION
1	35AR81-21.1M.....	Safety guard left
2	35AR81-22.1M.....	Safety guard right
3	STA3149	O-ring
4	56G20-280	Filling tray



LIFTING SYSTEM

FIG NO.	ORDER NO.	DESCRIPTION
1	AR81-23/24Z	Bowl arm set, colour black
2	AR31-127	Roller shaft
3	AR31-128	roll for bowl clamping
4	STA5088	Screw
5	STA2526	Bearing bushing
6	AR60-84	Eye bolt
7	STA5819	Nut
8	AR81-71.10	Shaft for bowl arm guide
9	AR81-71.5M	Bush for bowl arm guide, mount
10	STA3462	Circlip
11	AR81-68Z	Bowl arm, guide rod
12	AR81-83Z	Lifting bolt
14	AR81-611	shaft
14a	W40-603E	Shaft
15	STA6205	Spring cotter
16	STA3408	Circlip
17	STA6381	Pin
18	AR81-86.42	Bracket
19	STA5322	Screw
20	STA6020	Washer
21	STA6056	Spring lock washer
22	R100-62Z	Lifting lever assy.
23	STA3308	Ball knob
24	STA2020	Key
25	R60-63Z	Crank shaft
26	STA6044	Washer
27	STA3408	Circlip
28	AR40-65M	Lifting nut
29	STA5827	Nut
30	AR81-608	Extender
31	W60-604	Damper
32	R60-110	Lifting spring
	AR81-600.1M	Damper kit



ATTACHMENT DRIVE

FIG NO.	ORDER NO.	DESCRIPTION
1	R15-5	Bearing hub
2	R20-9	Worm wheel
3	R15-10	Gear case
4	R15-11	Gear case cover
5	R20-49	Worm shaft
6	R20-52Z	Gear shaft assembly
7	R15-50.6	Drive shaft no.12
8	STA2032	Key
9	R20-104	Ball bearing
10	R20-107	Oil seal
11	R20-300	Gasket
12	R20-300Z	Gasket kit
13	R20-301	Gasket
14	STA2007	Key
15	STA2011	Key
16	STA3410	Circlip
17	STA5018	Screw
18	6005 2RS	Ball bearing
19	STA5433	Screw
20	STA5908	Seal washer
21	STA6020	Washer
23 + 29	STA6056	Lock washer
24	R15-211	Rubber ring
26	R15-8.6M0	Engagement hub, white
27	STA5322	Screw
28	4R-125	Finger screw
29	R20-249	Label, "Greased for life"

..... W30-10.5M Gear case assembly
 RN30-52M Gearshaft assembly mounted
 R20-52Z Gearshaft kit
 RN30-5.6M Attachment hub assembly
 R20-300Z Gasket kit

..... Identification of motor, see page 18.

31 ..Drive unit, cable included

..... Motor **R100-85.52, 4 HP**
 07080-3001, 3x208V/60 Hz

..... Motor **R100-85.1, 4 HP**
 07080-2931, 3x480V/60 Hz

32 ..Drive unit, cable included

..... Motor **R100-85.52, 4 HP**
 07080-3041, 3x208V/60 Hz

..... Motor **R100-85.1, 4 HP**
 07080-2935, 3x480V/60 Hz

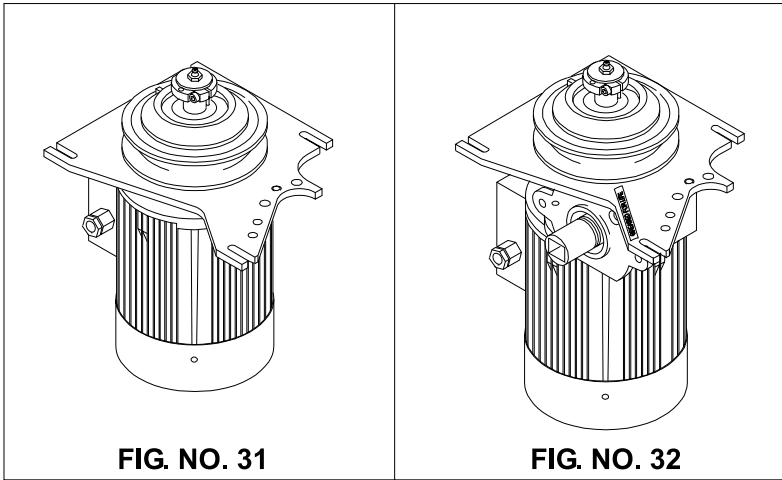
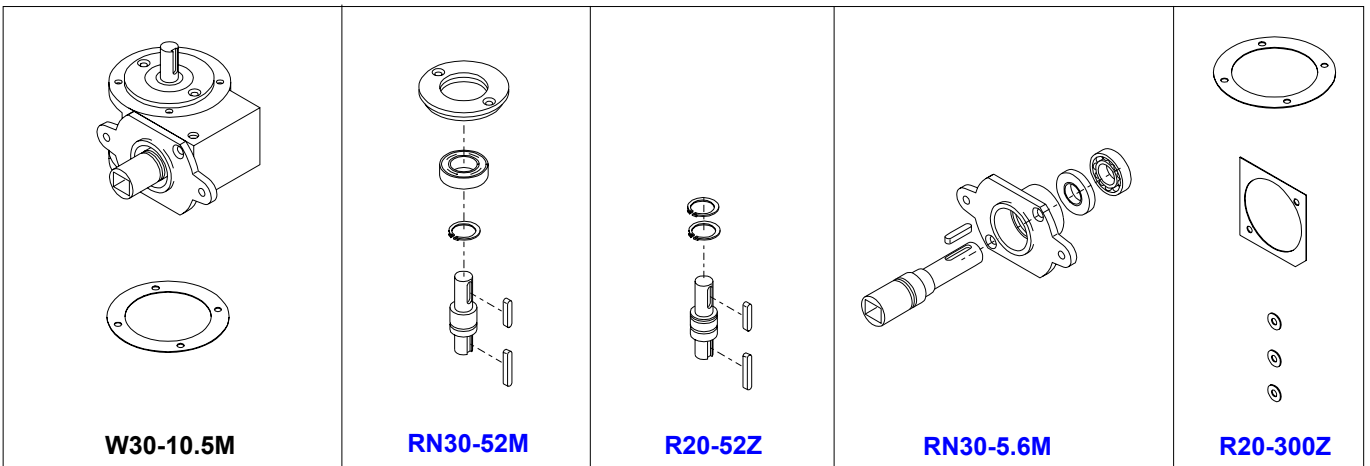
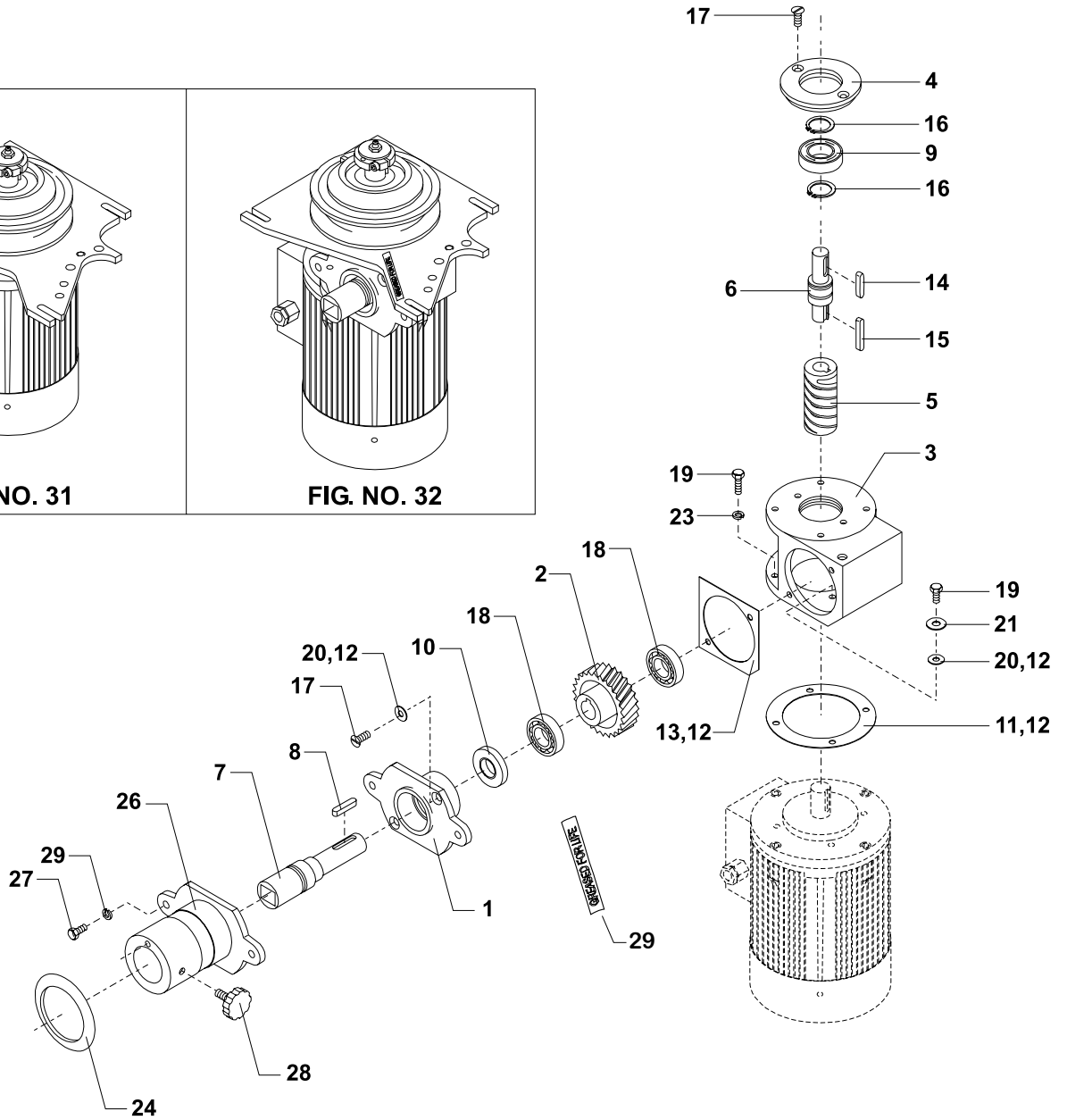


FIG. NO. 31

FIG. NO. 32



MICROSWITCHES

FIG NO.	ORDER NO.	DESCRIPTION
1	56CR10-111M	Safety Switch
2	STA5320	Hex cap screw
3	STA5837	Lock Nut
4	STA5721	Hex cap screw

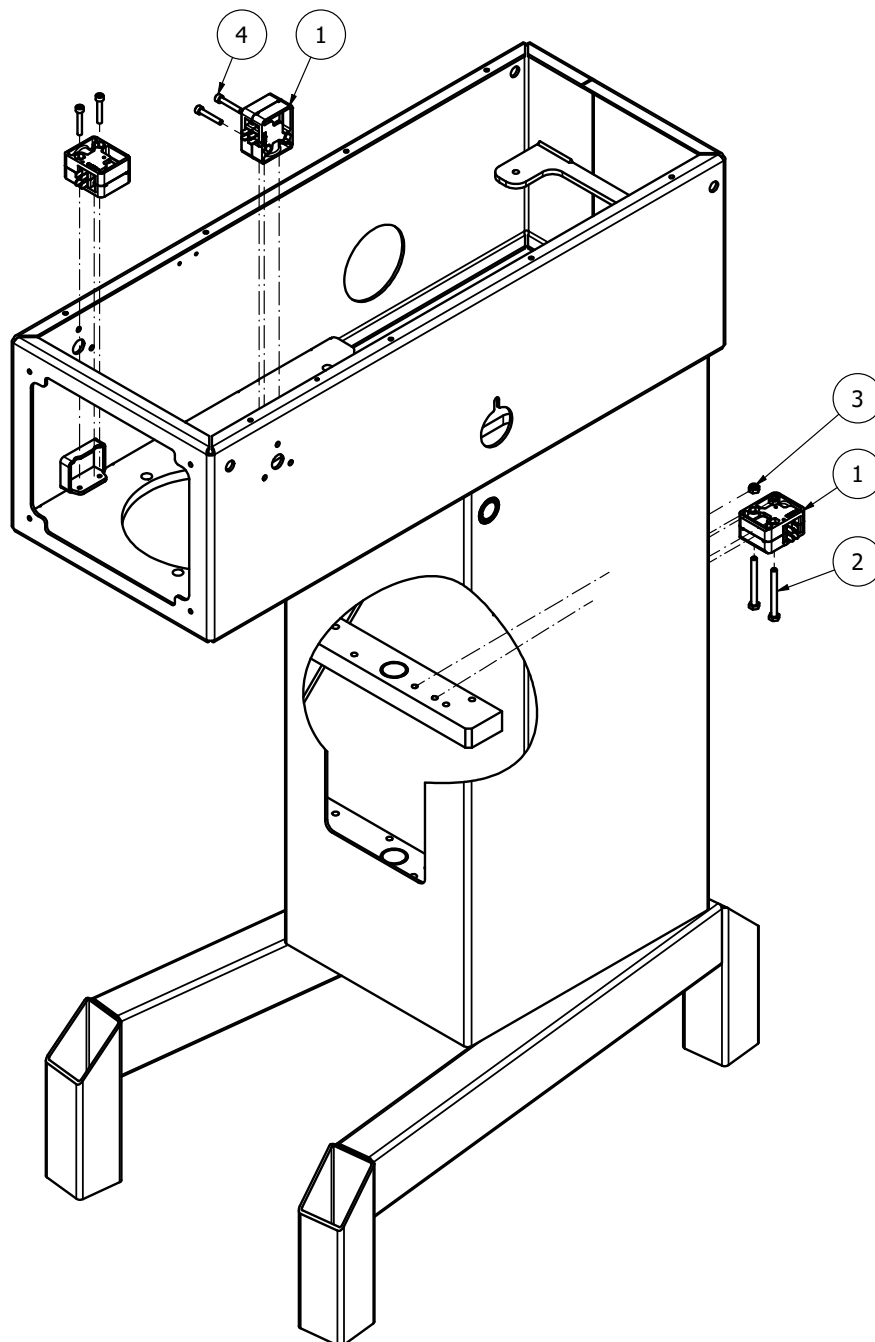
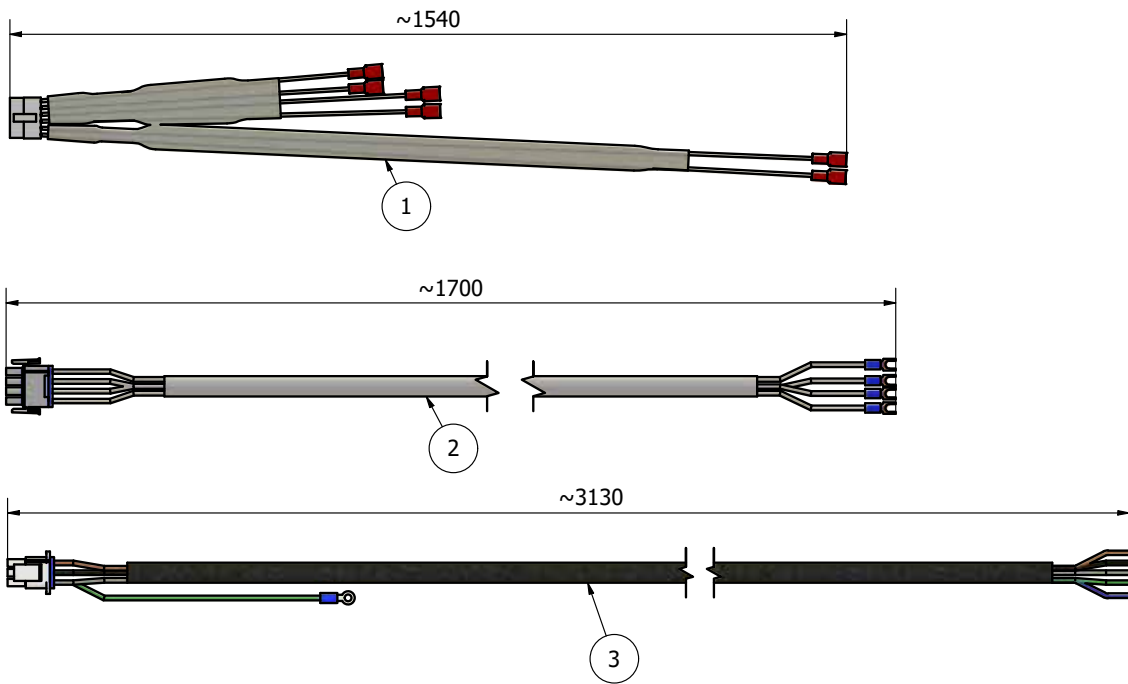


FIG NO.	ORDER NO.	DESCRIPTION
1	AR31-194.19M	Cable, safety switches
2	AR31-194.62M	Motor supply cable
3	AR31-194.65M	Power supply cable



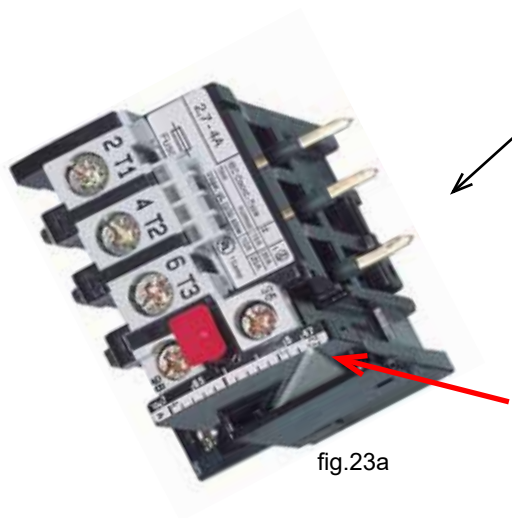
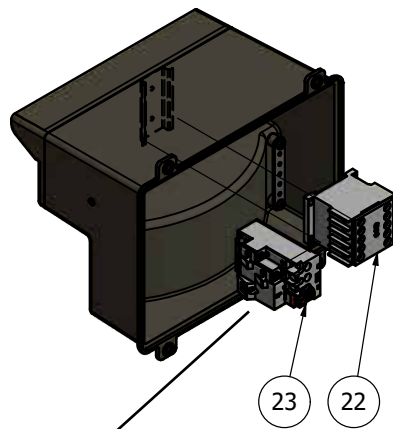
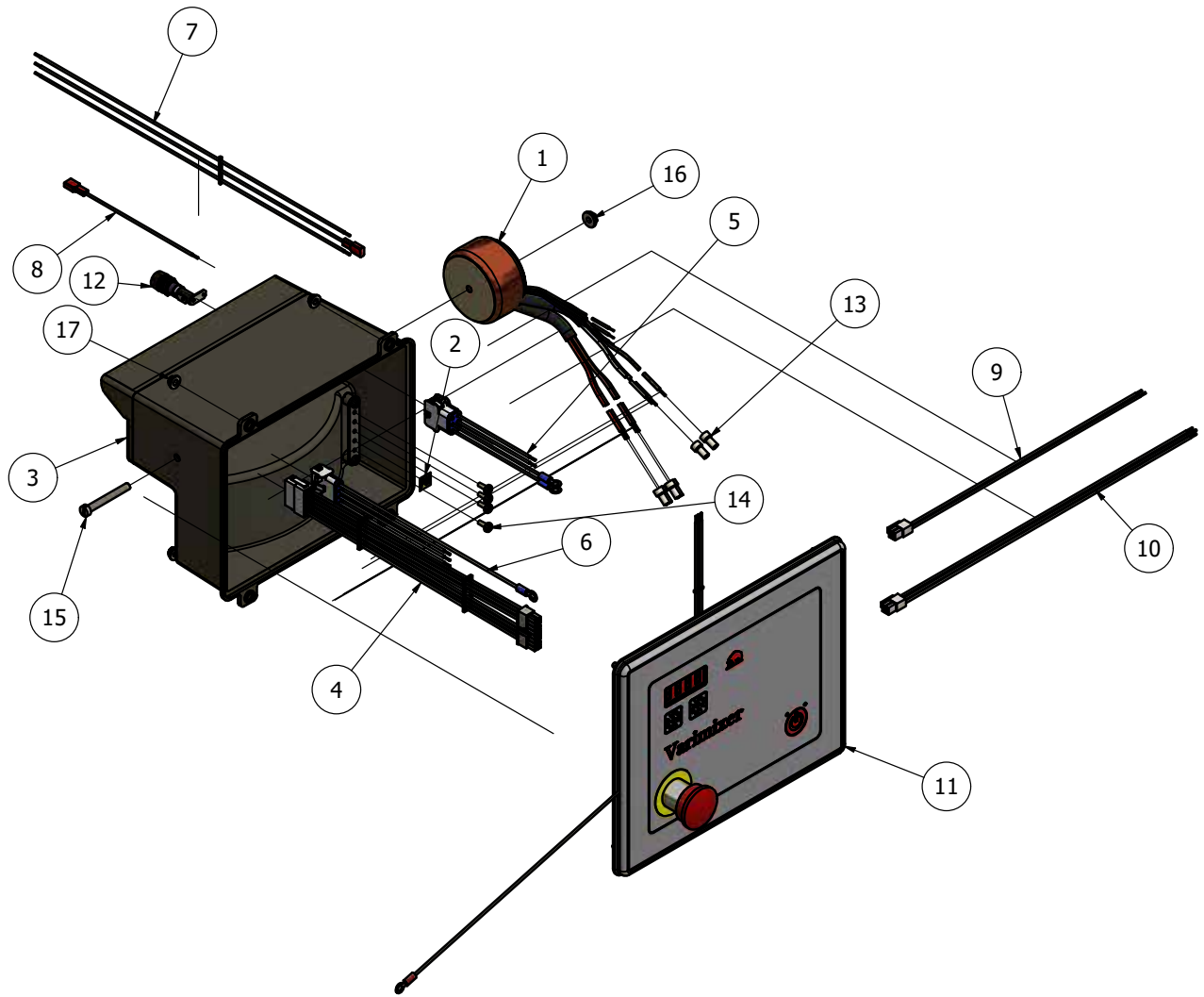
ELECTRIC COMPONENTS

FIG NO.	ORDER NO.	DESCRIPTION
1	*2) .. AR10E-430	Isolating transformer
2	AR30-453.1	Physical earth label
3	*1) .. AR31-152.1M	Enclosure assembly
	*2) .. AR31-152.3M	
4	AR31-194.18M	Safety cable
5	*1) .. AR31-194.54M	Power supply cable
	*2) .. AR31-194.57M	
6	AR31-194.63M	Motor cable
7	AR31-194.80M	Fuse cable
8	AR31-194.81M	Fuse cable
9	AR31-194.84M	Signal cable
10	AR31-194.85M	Signal cable
11	AR31-530.21M	Front panel assembly
12	08030-0804	Fuse holder with fuse
12.1	R20E-418.2	Fuse
13	*2) .. STA3046	Crimp connector
14	STA5232	Self tapping Screw
15	*2) .. STA5250	Screw
16	*2) .. STA5896	Hex flange nut
17	STA5897	Hex flange nut

..... *1) .. Without isolating transformer, standard

..... *2) .. With isolating transformer, >380V without neutral

Frequency [Hz]	Voltage [V]	Motor [Item no.]	Power [kW]	Current [A]	Connection	Contactors, [fig.22]	Thermal Overload Relay [fig.23]	Overload relay setting [fig.23a] [A]
60	3x208	R100-85.52	3	13	Δ	AR31-88.115	AR31-88.206	16
	3x480	R100-85.1	2,9	6,5	Y		AR31-88.203	8



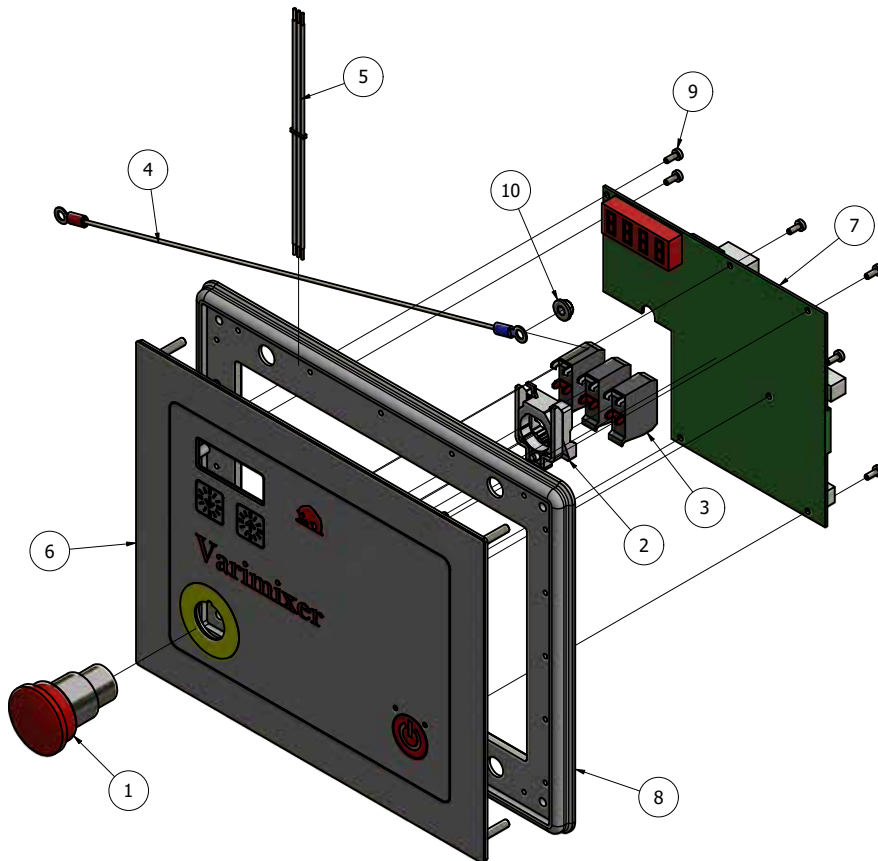
Setting see table page 18

fig.23a

FRONT PANEL ASSEMBLY

FIG NO.	ORDER NO.	DESCRIPTION
1	AR31-174.35	Switch emergency stop
2	AR31-174.36	Switch mounting Collar
3	AR31-174.37	Switch contact block
4	AR31-194.41M	Grounding cable
5	AR31-194.82M	Supply cable
6	AR31-530.3	Front panel
7	AR31-532.10	Control board
8	AR31-562	Gasket
9	STA5762	Pan head screw
10	STA5897	Hex flange nut

AR31-530.21M



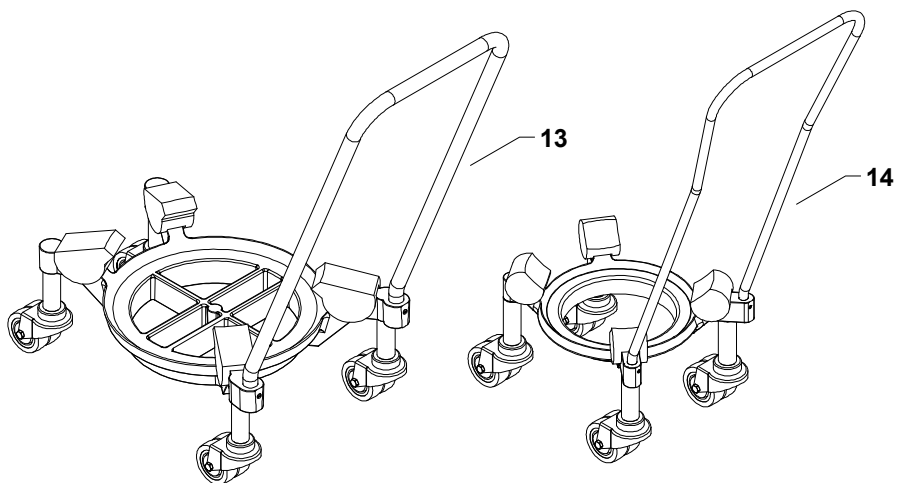
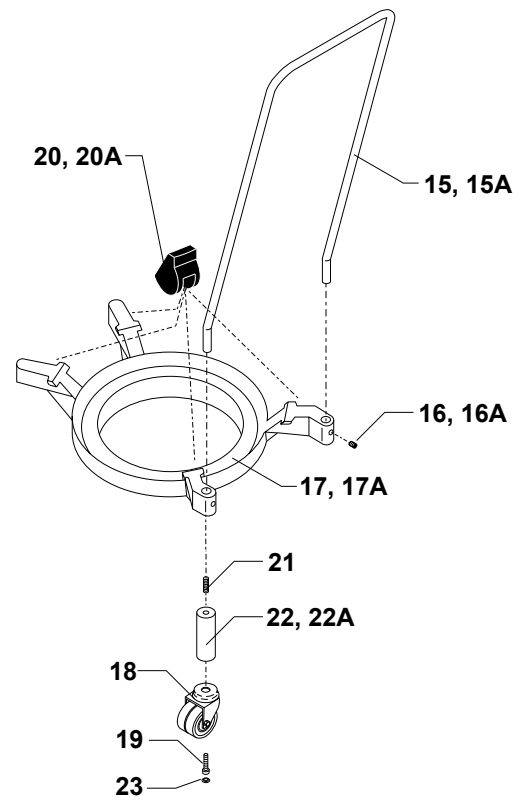
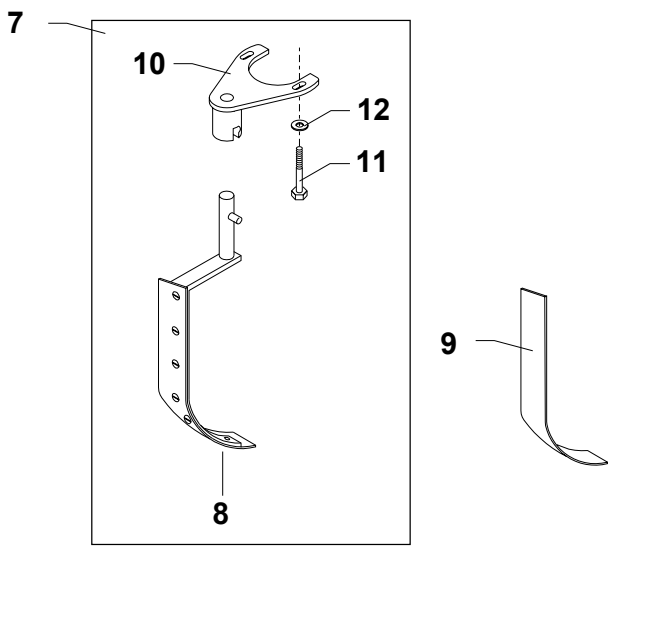
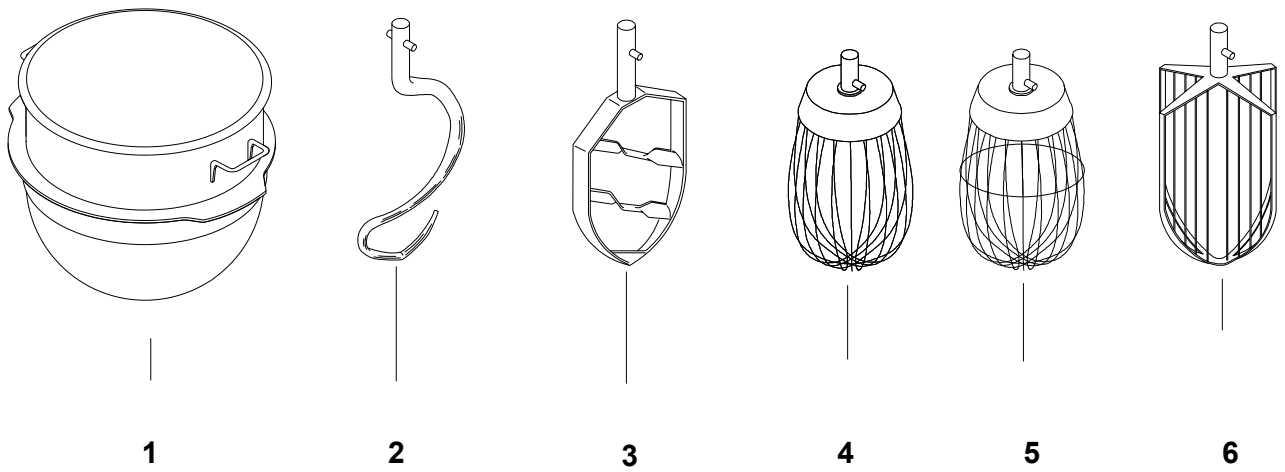
BOWLS AND MIXING TOOLS

FIG NO.	ORDER NO.	DESCRIPTION
1A.....	VBOWL-80	80 qt. Stainless steel bowl
1B.....	VBOWL40-80	40 qt. Stainless steel bowl
2A.....	VHOOK-80	80 qt. Stainless steel double pin hook
2B.....	VHOOK40-100	40 qt. Stainless steel double pin hook
3A.....	VBEAT-80A	80 qt. Aluminum flat beater
3A.....	VBEAT-80SS	80 qt. Stainless steel flat beater
3B.....	VBEAT40-80/100	40 qt. Aluminum flat beater
3B.....	VBEAT40-100	40 qt. Stainless steel flat beater
4A.....	VWHIP-80	80 qt. Stainless steel wire whip
4B.....	VWHIP40-100	40 qt. Stainless steel wire whip
4B.....	VHDWHIP40-100	40 qt. Heavy-duty wire whip
5A.....	VHDWHIP-80	80 qt. Reinforced whip
6A.....	VWINGWHIP-80	80 qt. Stainless steel wing whip
7A, **.	VSCRIP-80	80 qt. Bowl scraper
7B, **.	VSCRIP40-100	40 qt. Bowl scraper
8A.....	42AR80-202	80 qt. Scraper with Blade (PA)
8B.....	42RN100B-202	40 qt. Scraper with Blade (PA)
9A.....	42AR80-204	80 qt. Blade (PA) for scraper
9B.....	42RN100B-204	40 qt. Blade (PA) for scraper
10	42R100-105	Scraper holder
11.....	STA5652	Screw
12	STA6029	Washer
13A.....	VBTRUCK-80	80 qt. Bowl truck
14B.....	VBTRUCK40-80	40 qt. Bowl truck
15A.....	22R271	Bowl Truck Handle
15A...B.....	22R276	Bowl Truck Handle (Downsize Bowl)
16A.....	STA5676	Slotted set screw
16A...B.....	STA5675	Slotted set screw (Downsize Bowl)
17A.....	22R100-40	Bowl Truck Frame
17A...B.....	22R30-41	Bowl Truck Frame (Downsize Bowl)
18	22R150-520	Castor, Dual Wheel Bowl Truck
19	STA5642	Socket head screw
20A.....	W100-206.1	Rubber Block (4 per bowl truck)
20A...B.....	W30-206	Rubber Block (Downsize Bowl)
21	STA5608	Hex socket set screw
22A.....	22R140.6	Spacer (For Standard Bowl)
22A...B.....	22R140.8	Spacer (For Downsize Bowl)
23	STA6556	Cover cap

..... ** Adapted by mounting

.....A..... Full size bowl

.....B..... Half size bowl





Varimixer

Varimixer USA
2215 East River Road
Moraine, Ohio 45439
P: (800) 222-1138
varimixerusa.com