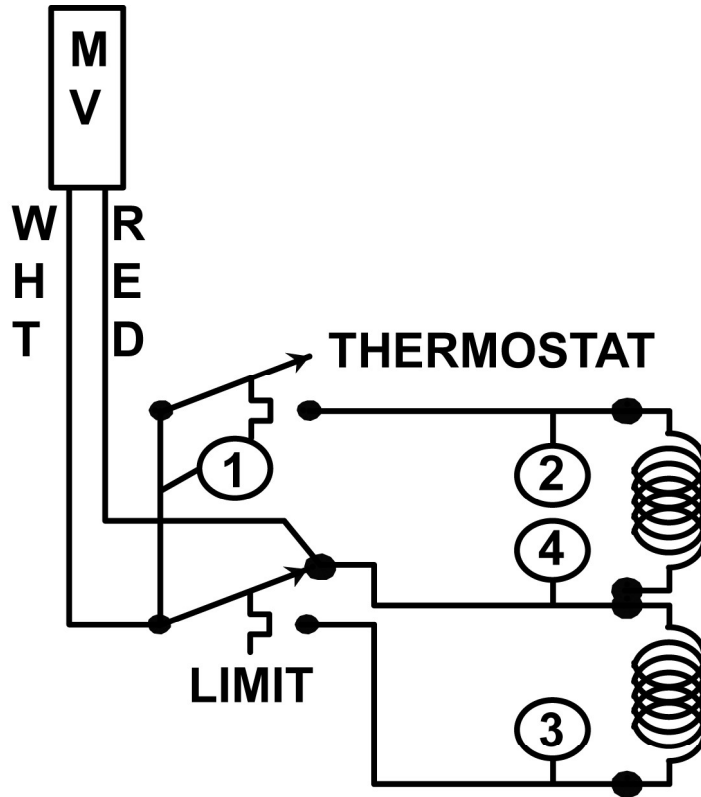


# DIAGRAMS

## SCHEMATIC



DERIVED FROM #958873

AI4735

Fig. 41

**NOTE:** High limit shown tripped.

