

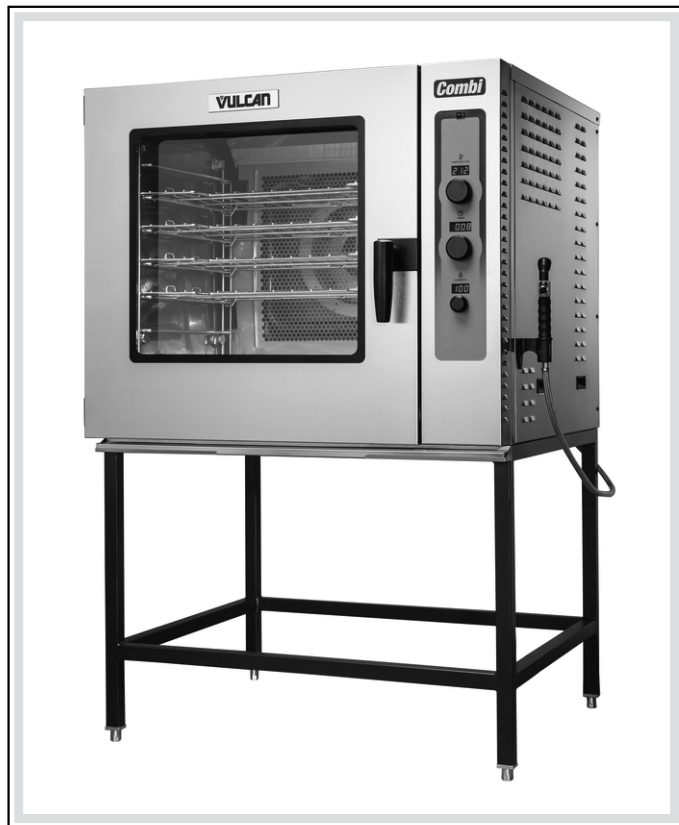
VULCAN

CATALOG OF REPLACEMENT PARTS

ABC7 ELECTRIC COMBI OVENS

MODELS

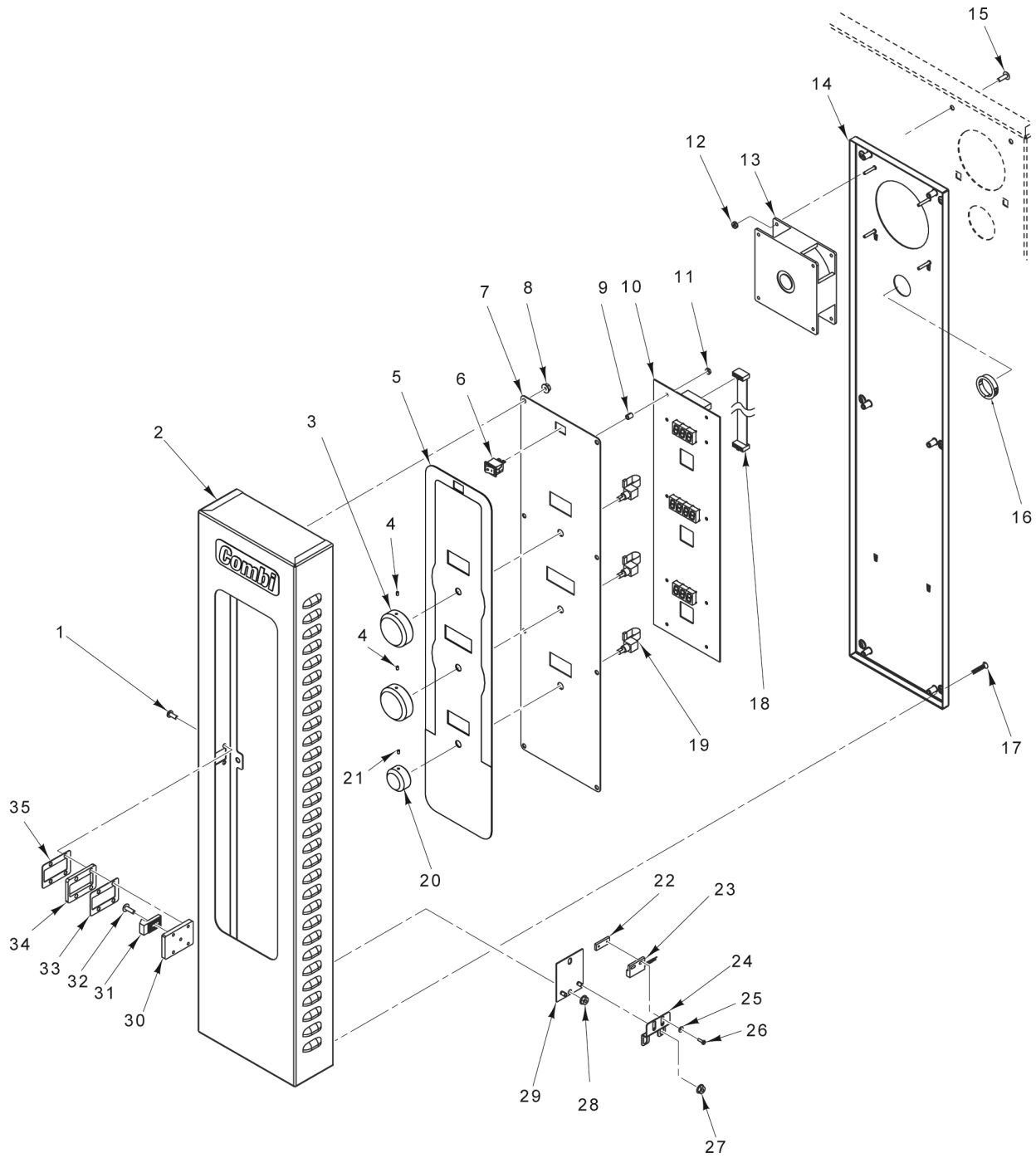
ML-137716-000BP	ABC7E (208V)
ML-137716-000BW	ABC7E (240V)
ML-137716-000CD	ABC7E (480V)
ML-137718-000BP	ABC7E W/PROBE (208V)
ML-137718-000BW	ABC7E W/PROBE (240V)
ML-137718-000CD	ABC7E W/PROBE (480V)



For additional information on Vulcan or to locate an authorized parts and service provider in your area, visit our website at www.vulcanequipment.com

Table of Contents

5	CONTROL PANEL
7	CONTROL PANEL (WITH PROBE)
9	ELECTRICAL COMPONENTS
11	DOOR ASSEMBLY (BEFORE SN 541082623)
13	DOOR ASSEMBLY (STARTING SN 541082623)
15	CONVECTION MOTOR AND HEATING ELEMENTS (BEFORE SN 541083660 (208V), 541083672 (480V))
17	CONVECTION MOTOR AND HEATING ELEMENTS (STARTING SN 541083660 (208V), 541083672 (480V))
19	PANELS AND INSULATION
21	PIPING AND VENTING (BEFORE S/N 541082442 (208V), 541082482 (240V), 541082425 (480V))
23	PIPING AND VENTING (SN 541082442 (208V), 541082482 (240V), 541082425 (480V) THRU SN 541083578)
25	PIPING AND VENTING (STARTING SN 541083589)

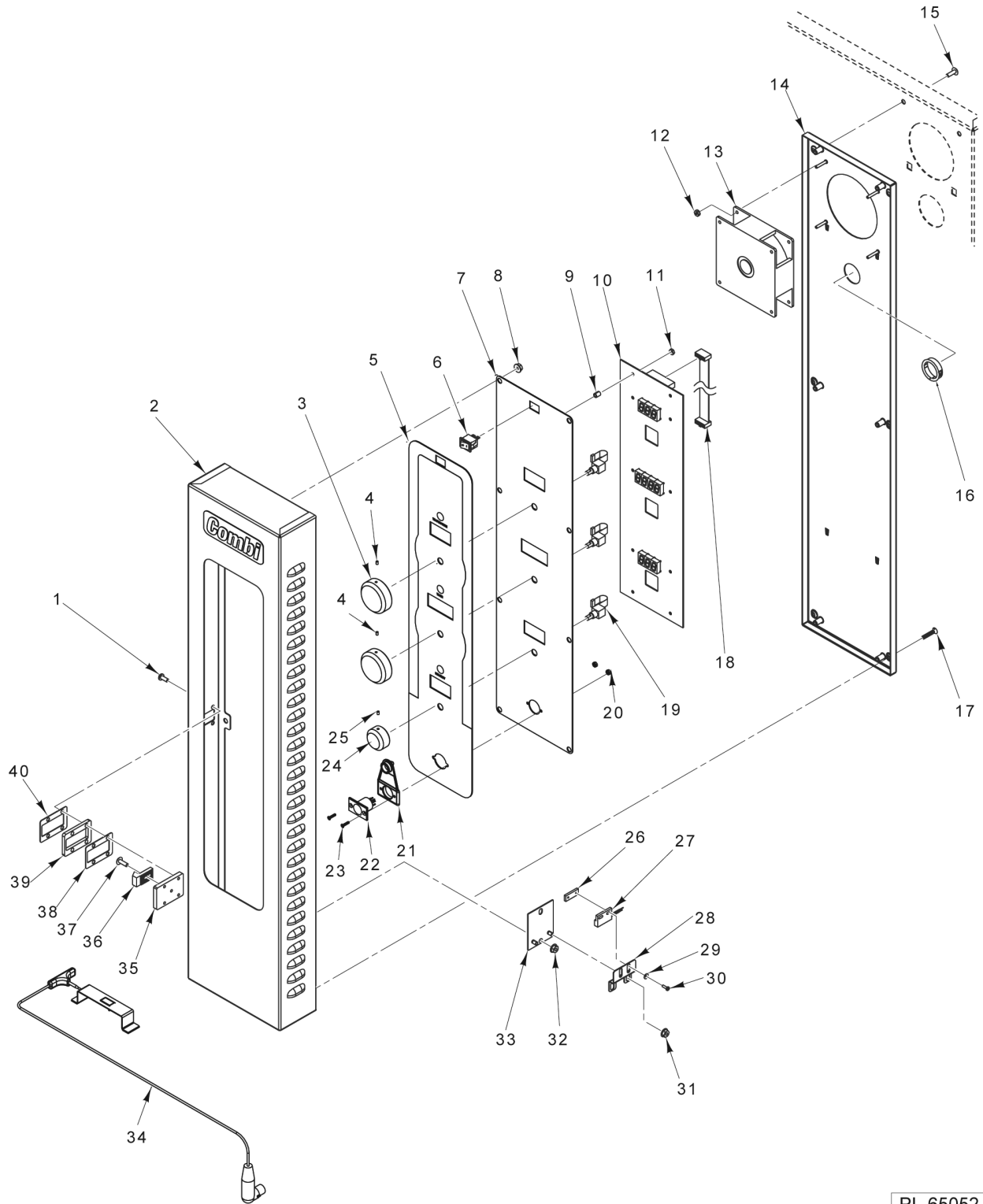


PL-60420

CONTROL PANEL

CONTROL PANEL

ILLUS. PL-60420	PART NO.	NAME OF PART	AMT.
1	SC-123-76	Mach. Screw 10-24 x 1/2 Phil. Pan Hd.....	4
2	00-973630	Panel - Control.....	1
3	00-947557	Knob (Large).....	2
4	00-947631	Set Screw.....	2
5	00-947559	Overlay.....	1
6	00-947099	Switch - Rocker.....	1
7	00-946810	Panel - Backing.....	1
8	NS-038-13	Lock Nut 10-24 Hex.....	8
9	00-973144	Spacer - 1/4 "OD x 5/16.....	10
10	00-945684	Board - Display.....	1
11	NS-011-07	Nut 6-32 Hex (SST).....	10
12	00-947356	Nut 6-32 Hex.....	4
13	00-947221	Fan - Cooling.....	1
14	00-973631	Panel - Control Base.....	1
15	00-946917	Screw 10-24 x 1 Slotted Flat Hd. (SST).....	6
16	00-947268	Grommet.....	1
17	00-946917	Screw 10-24 x 1 Slotted Flat Hd. (SST).....	6
18	00-947287	Cable - Ribbon (Display Board).....	1
19	00-973849	Encoder.....	3
20	00-947558	Knob (Small).....	1
21	00-947632	Set Screw.....	1
22	00-947393	Plate - Switch.....	1
23	00-947392	Switch - Door.....	1
24	00-947144	Bracket.....	1
25	00-947422	Washer.....	2
26	SC-113-10	Mach. Screw 4-40 x 3/8 Phil. Pan Hd.....	2
27	NS-038-13	Lock Nut 10-24 Hex.....	2
28	NS-038-13	Lock Nut 10-24 Hex.....	2
29	00-947148	Cover - Switch.....	1
30	00-973356	Plate - Latch (Adjustable).....	1
31	00-973355	Latch (Adjustable).....	1
32	00-973652	Mach. Screw 10-24 x 5/8 Truss HD / Nylon Patch.....	1
33	00-946915	Gasket.....	1
34	00-946916	Spacer.....	1
35	00-946915	Gasket.....	1

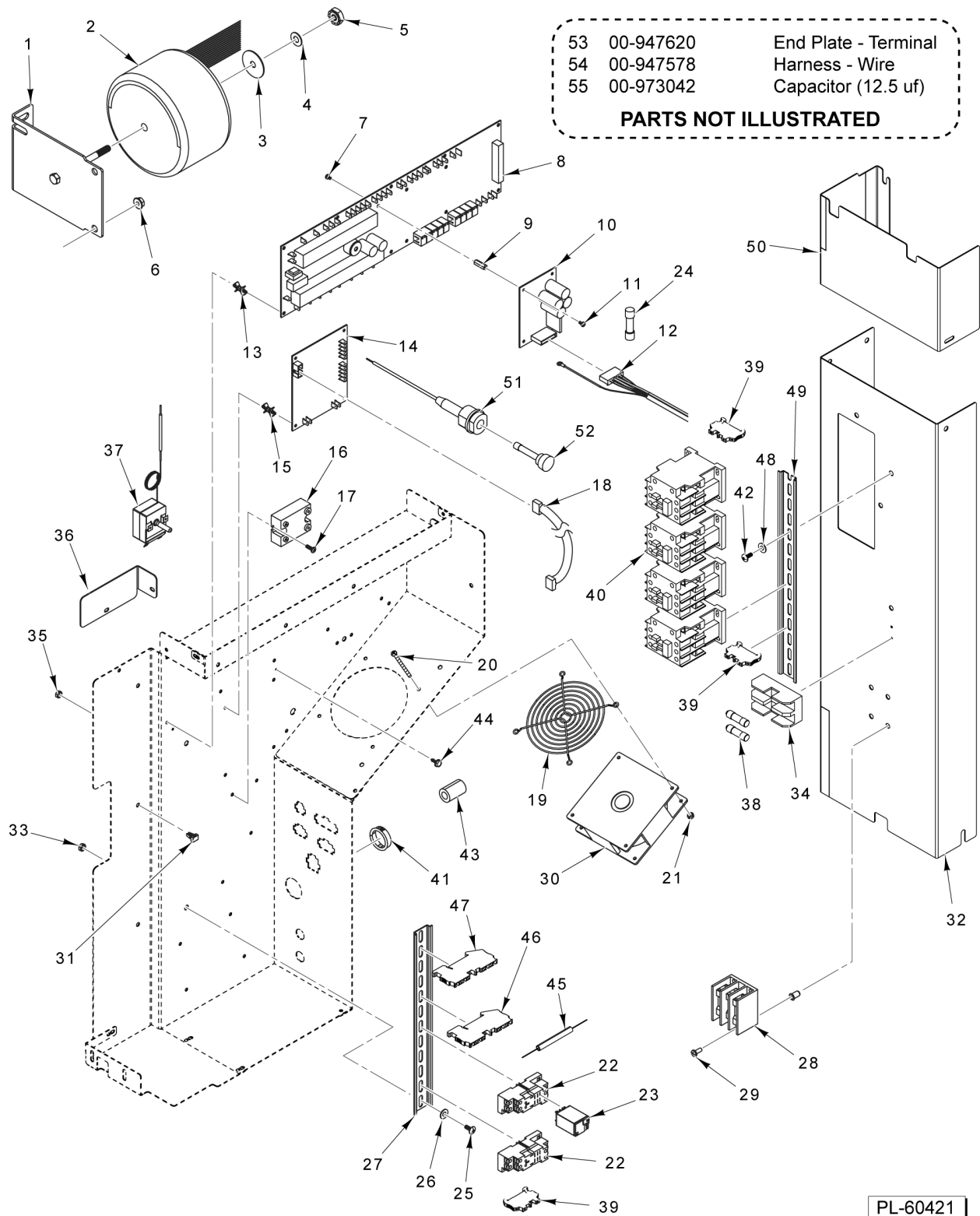


PL-65052

**CONTROL PANEL
(WITH PROBE)**

CONTROL PANEL (WITH PROBE)

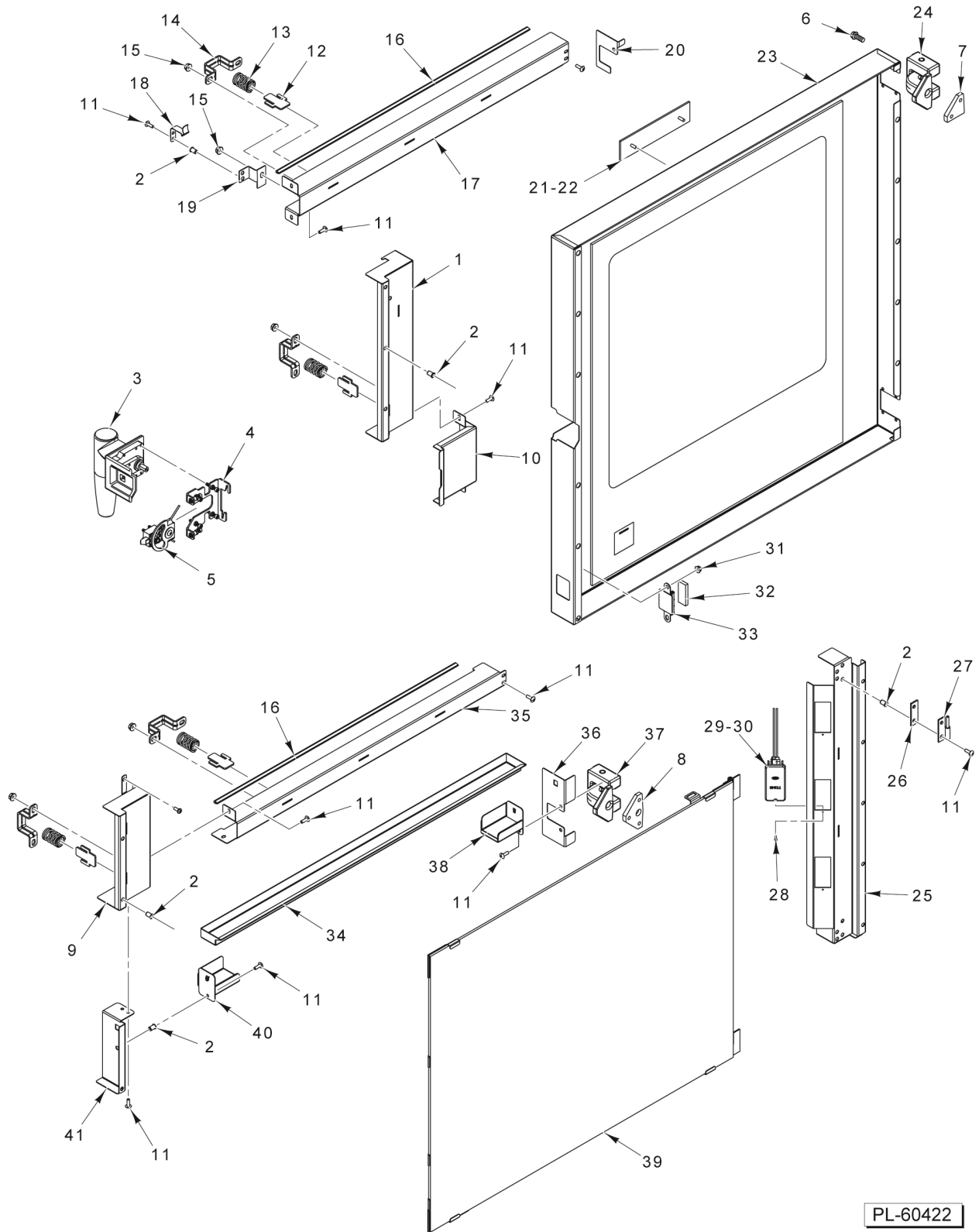
ILLUS. PL-65052	PART NO.	NAME OF PART	AMT.
1	SC-123-76	Mach. Screw 10-24 x 1/2 Phil. Pan Hd.....	4
2	00-973630	Panel - Control.....	1
3	00-947557	Knob (Large).....	2
4	00-947631	Set Screw.....	2
5	00-973537	Panel - Overlay.....	1
6	00-947099	Switch - Rocker.....	1
7	00-973540	Panel - Backing.....	1
8	NS-038-13	Lock Nut 10-24 Hex.....	8
9	00-973144	Spacer - 1/4 "OD x 5/16.....	10
10	00-945684	Board - Display.....	1
11	NS-011-07	Nut 6-32 Hex (SST).....	10
12	00-947356	Nut 6-32 Hex.....	4
13	00-947221	Fan - Cooling.....	1
14	00-973631	Panel - Control Base.....	1
15	00-946917	Screw 10-24 x 1 Slotted Flat Hd. (SST).....	6
16	00-947268	Grommet.....	1
17	00-946917	Screw 10-24 x 1 Slotted Flat Hd. (SST).....	6
18	00-947287	Cable - Ribbon (Display Board).....	1
19	00-973849	Encoder.....	3
20	00-947321	Nut 4-40 Hex (SST).....	2
21	00-973548	Seal - Probe Receptacle.....	1
22	00-973546	Receptacle - Probe.....	1
23	00-973578	Screw - 4-40 x 1/2 Flt, Phil.....	AR
24	00-947558	Knob (Small).....	1
25	00-947632	Set Screw.....	1
26	00-947393	Plate - Switch.....	1
27	00-947392	Switch - Door.....	1
28	00-947144	Bracket.....	1
29	00-947422	Washer.....	2
30	SC-113-10	Mach. Screw 4-40 x 3/8 Phil. Pan Hd.....	2
31	NS-038-13	Lock Nut 10-24 Hex.....	2
32	NS-038-13	Lock Nut 10-24 Hex.....	2
33	00-947148	Cover - Switch.....	1
34	00-973579	Kit - Probe & Bracket.....	1
35	00-973356	Plate - Latch (Adjustable).....	1
36	00-973355	Latch (Adjustable).....	1
37	00-973652	Mach. Screw 10-24 x 5/8 Truss HD / Nylon Patch.....	1
38	00-946915	Gasket.....	1
39	00-946916	Spacer.....	1
40	00-946915	Gasket.....	1



ELECTRICAL COMPONENTS

ELECTRICAL COMPONENTS

ILLUS.	PART NO.	NAME OF PART	AMT.
1	00-946955	Bracket - Transformer.....	1
2	00-947773	Transformer.....	1
3	00-946960	Washer.....	1
4	00-946959	Washer.....	1
5	00-973597	Nut - 5/16-18 SST W/Insert.....	1
6	NS-038-04	Lock Nut 1/4-20.....	3
7	00-947349	Screw 6-32 x 1/4 Phil. Hd. (Nylon).....	8
8	00-973595	Kit - Main Board.....	1
9	00-947119	Standoff.....	4
10	00-945685	Board (Oxygen Sensor).....	1
11	00-947349	Screw 6-32 x 1/4 Phil. Hd. (Nylon).....	4
12	00-946884	Harness - Wiring.....	1
13	00-947333	Support - Board.....	10
14	00-947503	Board (Motor Control).....	1
15	00-947333	Support - Board.....	4
16	00-947342	Relay (SSR Static).....	1
17	00-947364	Screw 8-32 x 3/4 Phil. Pan. Hd.....	2
18	00-946944	Cable - Ribbon.....	1
19	00-947543	Guard - Fan.....	1
20	00-947714	Screw 6-32 x 2.....	4
21	00-947356	Nut 6-32 Hex (SST).....	4
22	00-947329	Relay - Base (R1, R2, & R3).....	3
23	00-947330	Relay (220-240 V.) (R1, R2, & R3).....	3
24	00-973111	Fuse (5 Amp.) (Oxygen Sensor Board).....	1
25	00-946948	Screw 10-24 x 1/2.....	2
26	00-947362	Washer.....	2
27	00-946932	Rail - Din.....	1
28	00-947373	Block - Terminal.....	1
29	SC-018-22	Mach. Screw 10-24 x 1/2 Phil. Pan Hd.....	4
30	00-947221	Fan - Cooling.....	1
31	00-947229	Holder - Cable.....	6
32	00-947024	Shield - Flue.....	1
33	00-947357	Nut 10-24 Hex (SST).....	2
34	00-947372	Block - Fuse (2-Pole).....	1
35	00-947358	Nut 8-32 Hex.....	2
36	00-947327	Bracket.....	1
37	00-973039	Thermostat (Hi-Limit).....	1
38	00-947295	Fuse (20 Amp.).....	2
39	00-947670	End Stop - Terminal Block.....	6
40	00-891420	Contacto Heater.....	4
41	00-947268	Grommet.....	1
42	00-946948	Screw 10-24 x 1/2.....	2
43	00-947334	Ferrite.....	1
44	00-947234	Self-Tapping Screw #10 x 1/2 Hex Hd.....	1
45	00-947353	Fuse - Link (4 Amp.).....	3
46	00-947618	Block - Terminal (4-Pole).....	32
47	00-947619	Block - Terminal (4-Pole, Grounding).....	1
48	00-947362	Washer.....	2
49	00-946932	Rail - Din.....	1
50	00-947008	Shield - Flue.....	1
51	00-947693	Holder - Fuse (Incls. Item 52) (Motor Control Board).....	1
52	00-947695	Fuse (6.25 Amp.) (Motor Control Board).....	1
53	00-947620	End Plate - Terminal Block.....	2
54	00-947578	Harness - Wire.....	1
55	00-973042	Capacitor (12.5 uF) Not Shown.....	1

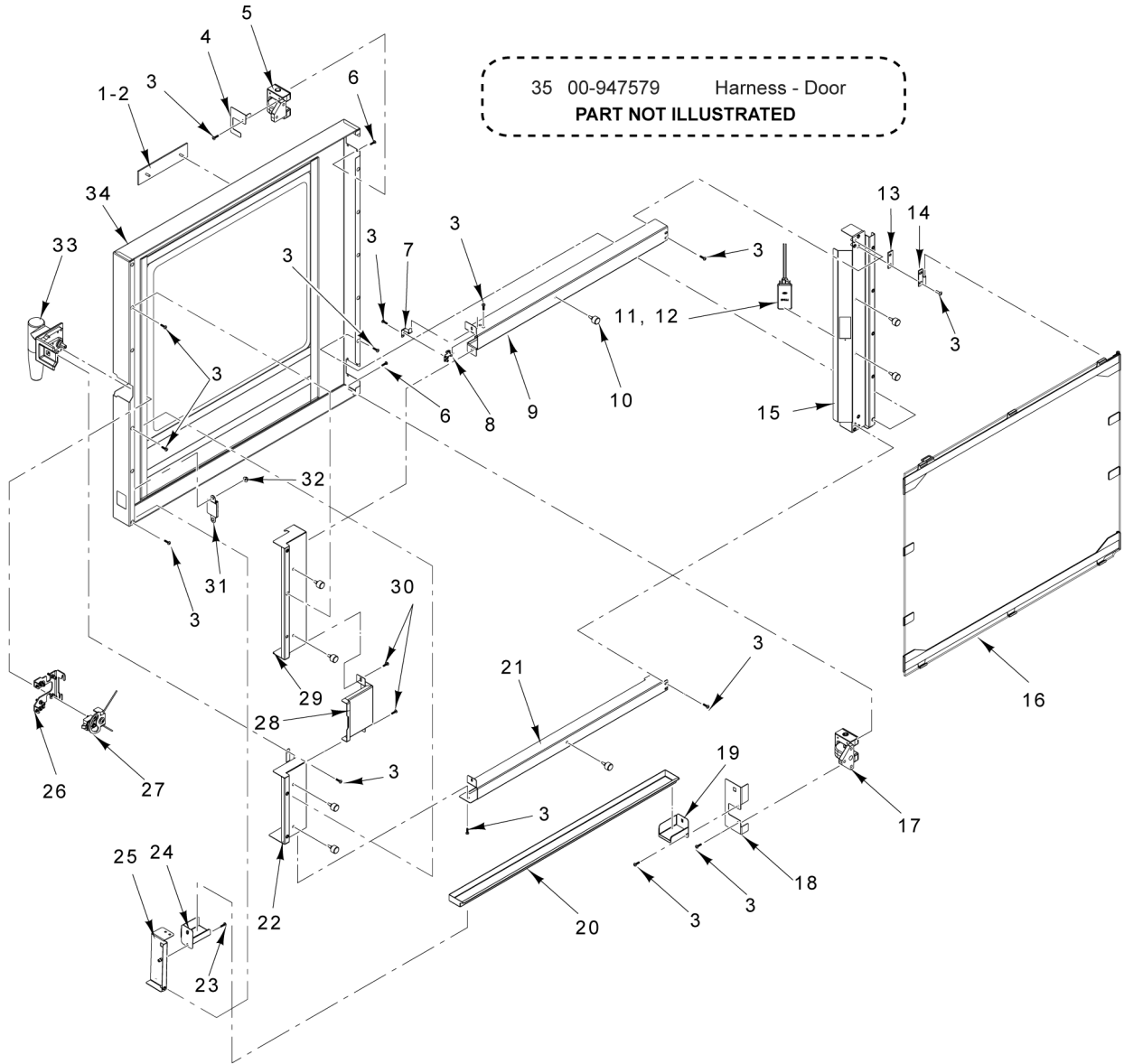


PL-60422

**DOOR ASSEMBLY
(BEFORE SN 541082623)**

**DOOR ASSEMBLY
(BEFORE SN 541082623)**

ILLUS. PL-60422	PART NO.	NAME OF PART	AMT.
1	00-947291	Stiffener.....	1
2	00-042648	Insert - Threaded.....	AR
3	00-973532	Kit - Handle & Bezel.....	1
4	00-973533	Kit - Door Lock Bracket.....	1
5	00-973402	Kit - Latch Cam Assy.....	1
6	00-973004	Cap Screw 1/4-20 x 1 Hex Washer Hd. (SST).....	5
7	00-947786	Shim - Hinge (Top).....	1
8	00-947789	Shim - Hinge (Bottom).....	1
9	00-947290	Stiffener.....	1
10	00-947311	Cover - Lock.....	1
11	SC-118-22	Mach. Screw 10-24 x 5/8 Phil. Truss Hd. (SST).....	AR
12	00-947309	Plunger.....	12
13	00-947360	Spring.....	12
14	00-947286	Bracket - Plunger.....	12
15	NS-038-04	Lock Nut 1/4-20.....	24
16	00-947308	Trim - Edge.....	3
17	00-947288	Stiffener.....	1
18	00-947677	Spring - Clip.....	1
19	00-947678	Bracket.....	1
20	00-946862	Stiffener - Hinge.....	1
21	00-957916-00001	Nameplate - Vulcan (7-1/4 In.).....	1
22	NS-047-79	Pal Nut 3/16.....	2
23	00-973069	Door Assy. - Outer (Incls. Glass).....	1
24	00-947325	Hinge Assy. (Top).....	1
25	00-947284	Stiffener - Door.....	1
26	00-947328	Spacer.....	2
27	00-945909	Hinge - Door.....	2
28	00-946978	Screw 4-40 x 3/8 Hex Socket Hd. (SST).....	AR
29	00-973129	Bulb - Halogen (12V/5W).....	3
30	00-945453	Lamp (12 V., 5 W.).....	3
31	NS-038-13	Lock Nut 10-24 Hex.....	2
32	00-360128	Magnet - Door.....	1
33	00-946822	Cover - Magnet.....	1
34	00-947276	Tray - Drip (Removable).....	1
35	00-947299	Stiffener.....	1
36	00-946863	Stiffener - Hinge.....	1
37	00-945971	Hinge Assy. (Bottom).....	1
38	00-947292	Support - Drip Tray (RH).....	1
39	00-946870	Door - Inner.....	1
40	00-947277	Support - Drip Tray (LH).....	1
41	00-947275	Stiffener.....	1



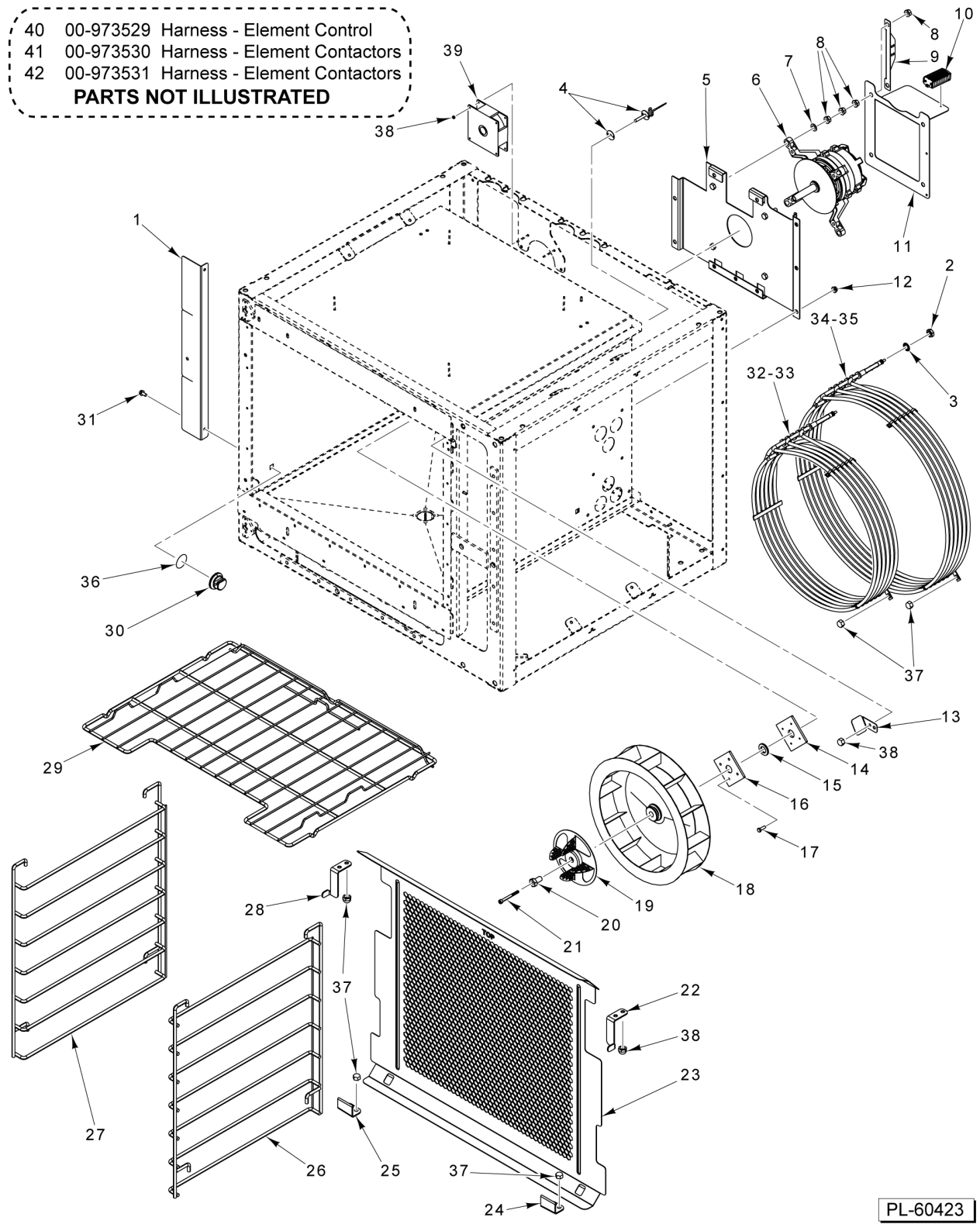
PL-65053

**DOOR ASSEMBLY
(STARTING SN 541082623)**

**DOOR ASSEMBLY
(STARTING SN 541082623)**

ILLUS. PL-65053	PART NO.	NAME OF PART	AMT.
1	00-957916	Nameplate.....	1
2	NS-047-79	Pal Nut 3/16.....	2
3	00-973652	Mach. Screw 10-24 x 5/8 Truss HD / Nylon Patch.....	26
4	00-946862	Stiffener - Hinge.....	1
5	00-947325	Hinge Assy. (Top).....	1
6	00-946961	Screw 10-24x1/2 Phil. Flt.....	8
7	00-947677	Spring - Clip.....	1
8	00-973389	Bracket - Inner Door Lock Mounting.....	1
9	00-973393	Assy. - Horizontal Stiffener (Top) (Incls. Items 7, 8, & 10).....	1
10	00-973364	Bumper - Rubber.....	AR
11	00-973350	Lamp Assembly (12V, 10W).....	1
12	00-973349	Bulb (10W).....	1
13	00-947328	Spacer.....	2
14	00-945909	Hinge - Door.....	2
15	00-973394	Assy. - Door Hinge Stiffener (Incls. Items 10 thru 14).....	1
16	00-946870	Door - Inner.....	1
17	00-945971	Hinge Assy. (Bottom).....	1
18	00-946863	Stiffener - Hinge.....	1
19	00-947292	Support - Drip Tray (RH).....	1
20	00-947276	1
21	00-973392	Assy. - Horizontal Stiffener (Bottom) (Incls Item 10).....	1
22	00-973390	Assy. - Vertical Stiffener (Incls Item 10).....	1
23	00-946948	Screw 10-24 x 1/2.....	1
24	00-947277	Support - Drip Tray (LH).....	1
25	00-973629	Stiffener - End Cap.....	1
26	00-973533	Kit - Door Lock Bracket.....	1
27	00-973402	Kit - Latch Cam Assy.....	1
28	00-947311	Cover - Lock.....	1
29	00-973391	Assy. - Vertical Stiffener (Incls. Item 10).....	1
30	00-973441	Mach. Screw 10-24 x 1/2 Truss HD / Nylon Patch.....	2
31	00-946823	Plate - Door Magnet Cover.....	1
32	NS-038-13	Lock Nut 10-24 Hex.....	2
33	00-973532	Kit - Handle & Bezel.....	1
34	00-973628	Door Assembly.....	1
35	00-947579	Harness - Door Wiring.....	1

- 40 00-973529 Harness - Element Control
 - 41 00-973530 Harness - Element Contactors
 - 42 00-973531 Harness - Element Contactors
- PARTS NOT ILLUSTRATED**



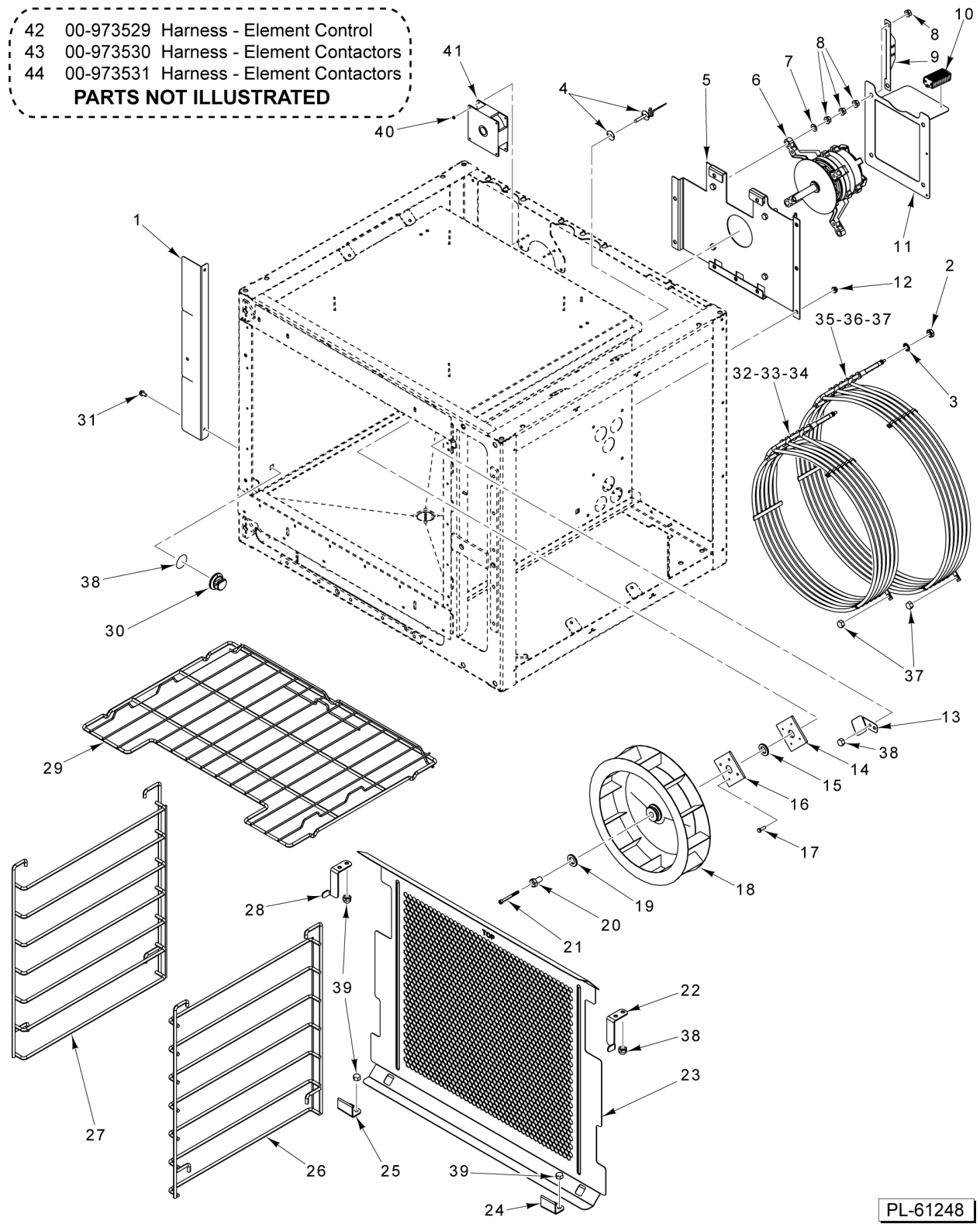
PL-60423

**CONVECTION MOTOR AND HEATING ELEMENTS
(BEFORE SN 541083660
(208V), 541083672 (480V))**

**CONVECTION MOTOR AND HEATING ELEMENTS
(BEFORE SN 541083660
(208V), 541083672 (480V))**

ILLUS.	PART NO.	NAME OF PART	AMT.
PL-60423			
1	00-945962	Clip - Support (Rack Guide).....	4
2	00-947794	Nut 7/16-20 Thin (Brass).....	12
3	00-947795	Lockwasher 7/16 (SST).....	12
4	00-913102-00239	Kit - Probe & Gasket.....	1
5	00-946842	Mount - Motor.....	1
6	00-947750	Motor (250 W.).....	1
7	WS-006-27	Washer (SST).....	4
8	NS-038-10	Lock Nut 3/8-16 Hex.....	AR
9	00-973330	Bracket - Heating Element Strain Relief.....	1
10	00-947245	Block - Terminal.....	1
11	00-947054	Plate - Retainer.....	1
12	NS-038-04	Lock Nut 1/4-20.....	11
13	00-947087	Shield - RTD.....	1
14	00-945433	Plate - Backing (Shaft Seal).....	1
15	00-945435	Seal - Shaft.....	1
16	00-945434	Plate - Cover (Shaft Seal).....	1
17	00-947322	Screw 10-24 x 5/8 (SST).....	4
18	00-947751	Wheel - Convection Fan.....	1
19	00-945756	Atomizer - Water.....	1
20	00-947065	Bolt - Atomizer.....	1
21	00-947083	Screw M6 x 1 x 60mm.....	1
22	00-947243	Hanger (Top, Right).....	1
23	00-973001	Baffle - Fan Cavity.....	1
24	00-973079	Support - Baffle (Bottom, Right).....	1
25	00-973078	Support - Baffle (Bottom, Left).....	1
26	00-947397	Rack - Wire (RH).....	1
27	00-947396	Rack - Wire (LH).....	1
28	00-947242	Hanger (Top, Left).....	1
29	00-947595	Rack - Wire (Pan Guides and Stop).....	AR
30	00-945895	Support - Rack Guides.....	8
31	00-947112	Mach. Screw 1/4-20 1/2.....	8
32	00-945447	Element - Heating (208 V./9kW - 240 V./12kW) (Inner).....	1
33	00-947799	Element - Heating (480 V.) (12 kW) (Inner).....	1
34	00-945446	Element - Heating (208 V./9kW - 240 V./12kW) (Outer).....	1
35	00-947798	Element - Heating (480 V.) (12 kW) (Outer).....	1
36	00-947504	O-Ring.....	8
37	00-947192	Acorn Nut 1/4-20 (SST).....	9
38	00-947356	Nut 6-32 Hex.....	2
39	00-947221	Fan - Cooling.....	1
40	00-973529	Harness - Element Control.....	1
41	00-973530	Harness - Element Contactors (Line Side).....	1
42	00-973531	Harness - Element Contactors (Load Side).....	1

- 42 00-973529 Harness - Element Control
 - 43 00-973530 Harness - Element Contactors
 - 44 00-973531 Harness - Element Contactors
- PARTS NOT ILLUSTRATED**

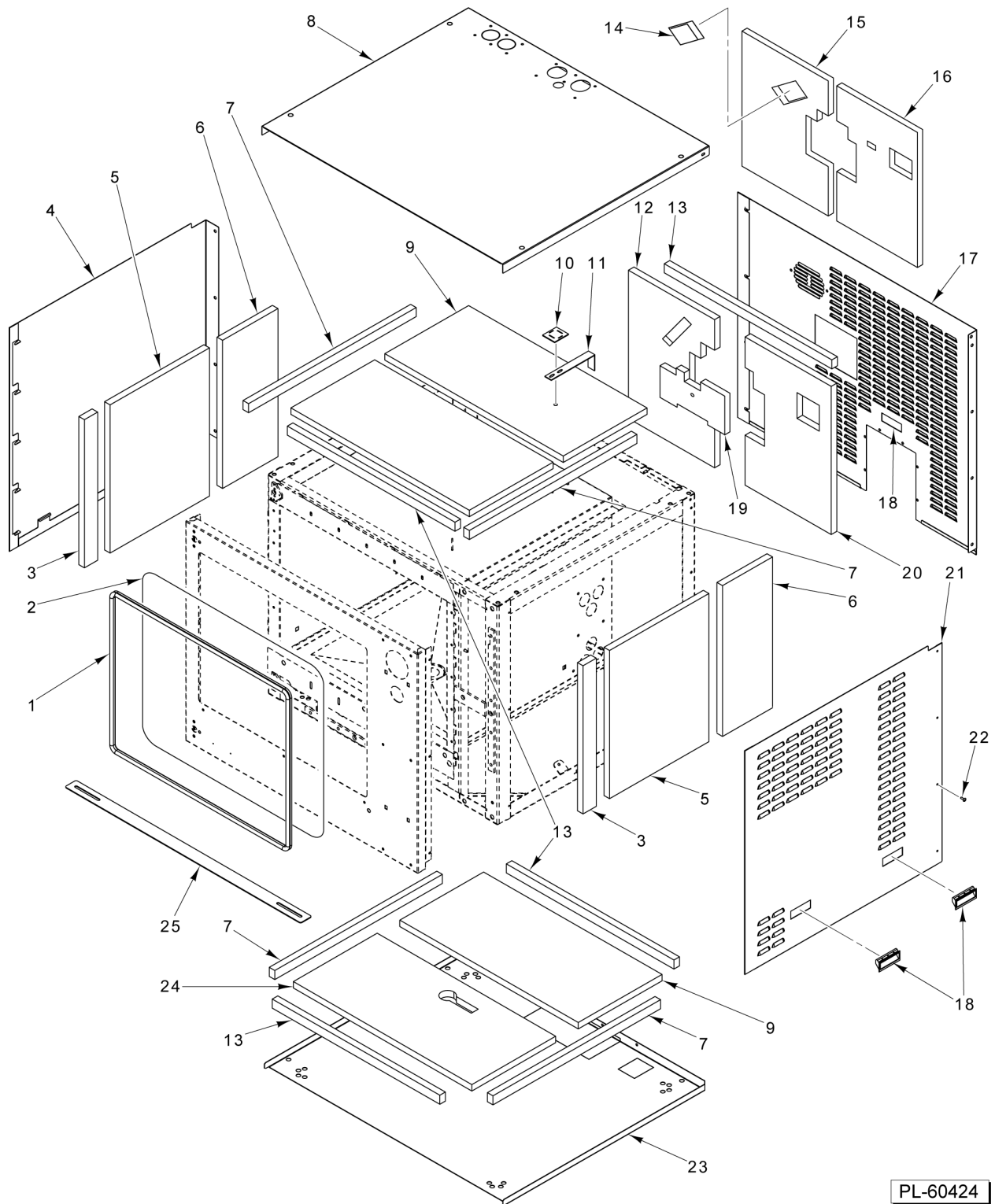


PL-61248

**CONVECTION MOTOR AND HEATING ELEMENTS
(STARTING SN 541083660
(208V), 541083672 (480V))**

**CONVECTION MOTOR AND HEATING ELEMENTS
(STARTING SN 541083660
(208V), 541083672 (480V))**

ILLUS. PL-61248	PART NO.	NAME OF PART	AMT.
1	00-945962	Clip - Support (Rack Guide).....	4
2	00-947794	Nut 7/16-20 Thin (Brass).....	12
3	00-947795	Lockwasher 7/16 (SST).....	12
4	00-913102-00239	Kit - Probe & Gasket.....	1
5	00-946842	Mount - Motor.....	1
6	00-947750	Motor (250 W.).....	1
7	WS-006-27	Washer (SST).....	4
8	NS-038-10	Lock Nut 3/8-16 Hex.....	AR
9	00-973330	Bracket - Heating Element Strain Relief.....	1
10	00-947245	Block - Terminal.....	1
11	00-947054	Plate - Retainer.....	1
12	NS-038-04	Lock Nut 1/4-20.....	11
13	00-947087	Shield - RTD.....	1
14	00-945433	Plate - Backing (Shaft Seal).....	1
15	00-945435	Seal - Shaft.....	1
16	00-945434	Plate - Cover (Shaft Seal).....	1
17	00-947322	Screw 10-24 x 5/8 (SST).....	4
18	00-947751	Wheel - Convection Fan.....	1
19	00-973723	Washer - Atomizer.....	1
20	00-947065	Bolt - Atomizer.....	1
21	00-947083	Screw M6 x 1 x 60mm.....	1
22	00-947243	Hanger (Top, Right).....	1
23	00-973001	Baffle - Fan Cavity.....	1
24	00-973079	Support - Baffle (Bottom, Right).....	1
25	00-973078	Support - Baffle (Bottom, Left).....	1
26	00-947397	Rack - Wire (RH).....	1
27	00-947396	Rack - Wire (LH).....	1
28	00-947242	Hanger (Top, Left).....	1
29	00-947595	Rack - Wire (Pan Guides and Stop).....	AR
30	00-945895	Support - Rack Guides.....	8
31	00-947112	Mach. Screw 1/4-20 1/2.....	8
32	00-945447	Element - Heating (208 V./9kW - 240 V./12kW) (Inner).....	1
33	00-947799	Element - Heating (480 V.) (12 kW) (Inner).....	1
34	00-973928	Element - Heating (208 V./9kW - 240 V./12kW) (Inner).....	1
35	00-945446	Element - Heating (208 V./9kW - 240 V./12kW) (Outer).....	1
36	00-947798	Element - Heating (480 V.) (12 kW) (Outer).....	1
37	00-973927	Element - Heating (208 V./9kW - 240 V./12kW) (Outer).....	1
38	00-947504	O-Ring.....	8
39	00-947192	Acorn Nut 1/4-20 (SST).....	9
40	00-947356	Nut 6-32 Hex.....	2
41	00-947221	Fan - Cooling.....	1
42	00-973529	Harness - Element Control.....	1
43	00-973530	Harness - Element Contactors (Line Side).....	1
44	00-973531	Harness - Element Contactors (Load Side).....	1



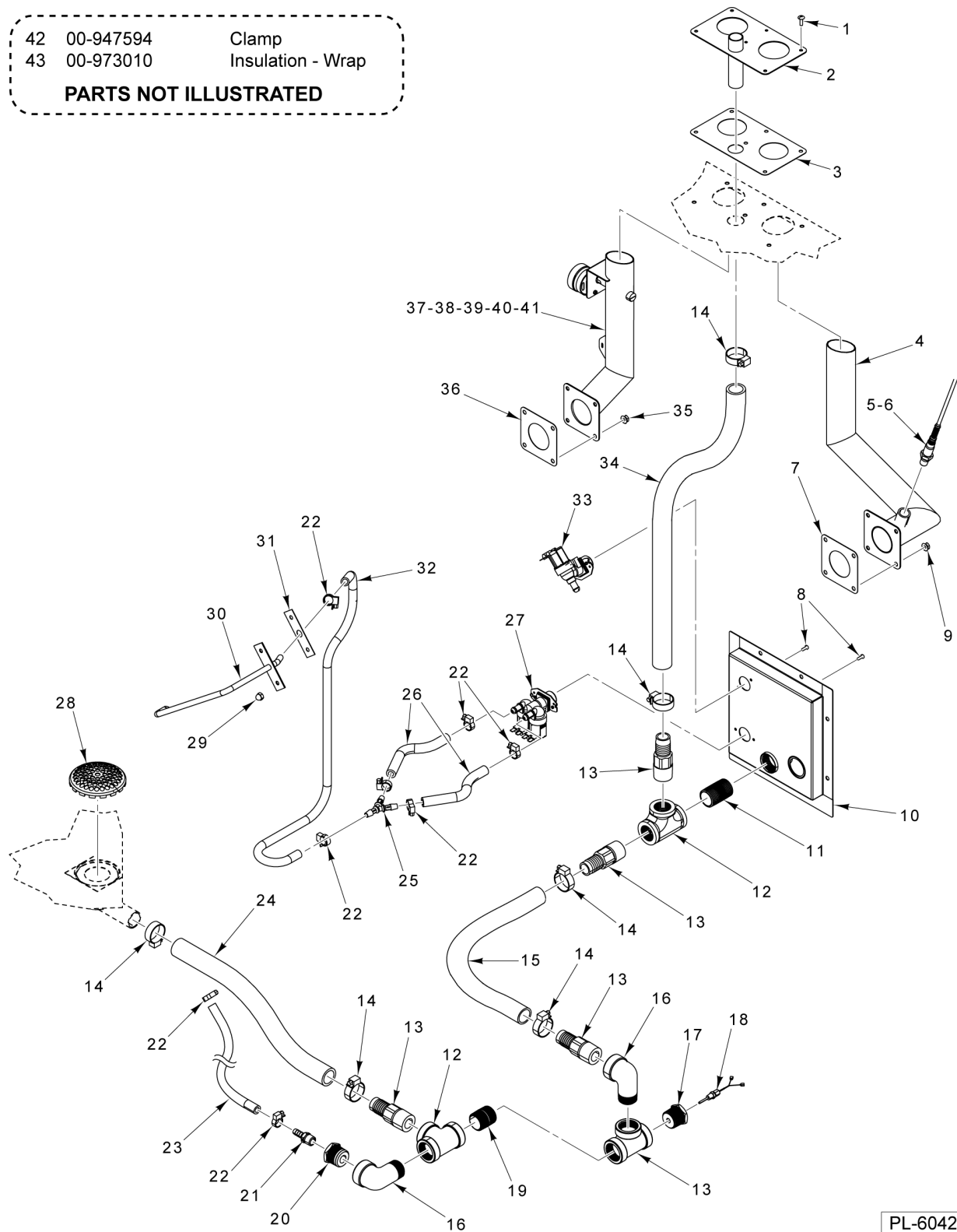
PANELS AND INSULATION

PANELS AND INSULATION

ILLUS. PL-60424	PART NO.	NAME OF PART	AMT.
1	00-947617	Gasket - Door.....	1
2	00-947790	O-Ring (Cord).....	1
3	00-947770-00002	Insulation.....	2
4	00-973789	Cover - Side (Hinge).....	1
5	00-947770-00003	Insulation.....	2
6	00-947770-00004	Insulation.....	2
7	00-947770-00005	Insulation.....	1
8	00-973791	Top Cover Assembly.....	1
9	00-947770-00007	Insulation.....	2
10	00-877986	Washer - Insulation.....	8
11	00-947462	Clip - Insulation.....	12
12	00-947770-00006	Insulation - Rear.....	1
13	00-947770-00005	Insulation.....	1
14	00-947770-00017	Insulation.....	1
15	00-947770-00011	Insulation.....	1
16	00-947770-00009	Insulation.....	1
17	00-947576	Cover - Rear.....	1
18	00-946826	Handle.....	4
19	00-947770-00016	Insulation.....	1
20	00-947770-00008	Insulation - Rear.....	1
21	00-973783	Cover - Side (Lock).....	1
22	00-973652	Mach. Screw 10-24 x 5/8 Truss HD / Nylon Patch.....	AR
23	00-945397	Cover - Bottom.....	1
24	00-947770-00001	Insulation.....	1
25	00-973145	Strap - Insulation.....	2

- 42 00-947594 Clamp
- 43 00-973010 Insulation - Wrap

PARTS NOT ILLUSTRATED



**PIPING AND VENTING
 (BEFORE S/N 541082442
 (208V), 541082482
 (240V), 541082425 (480V))**

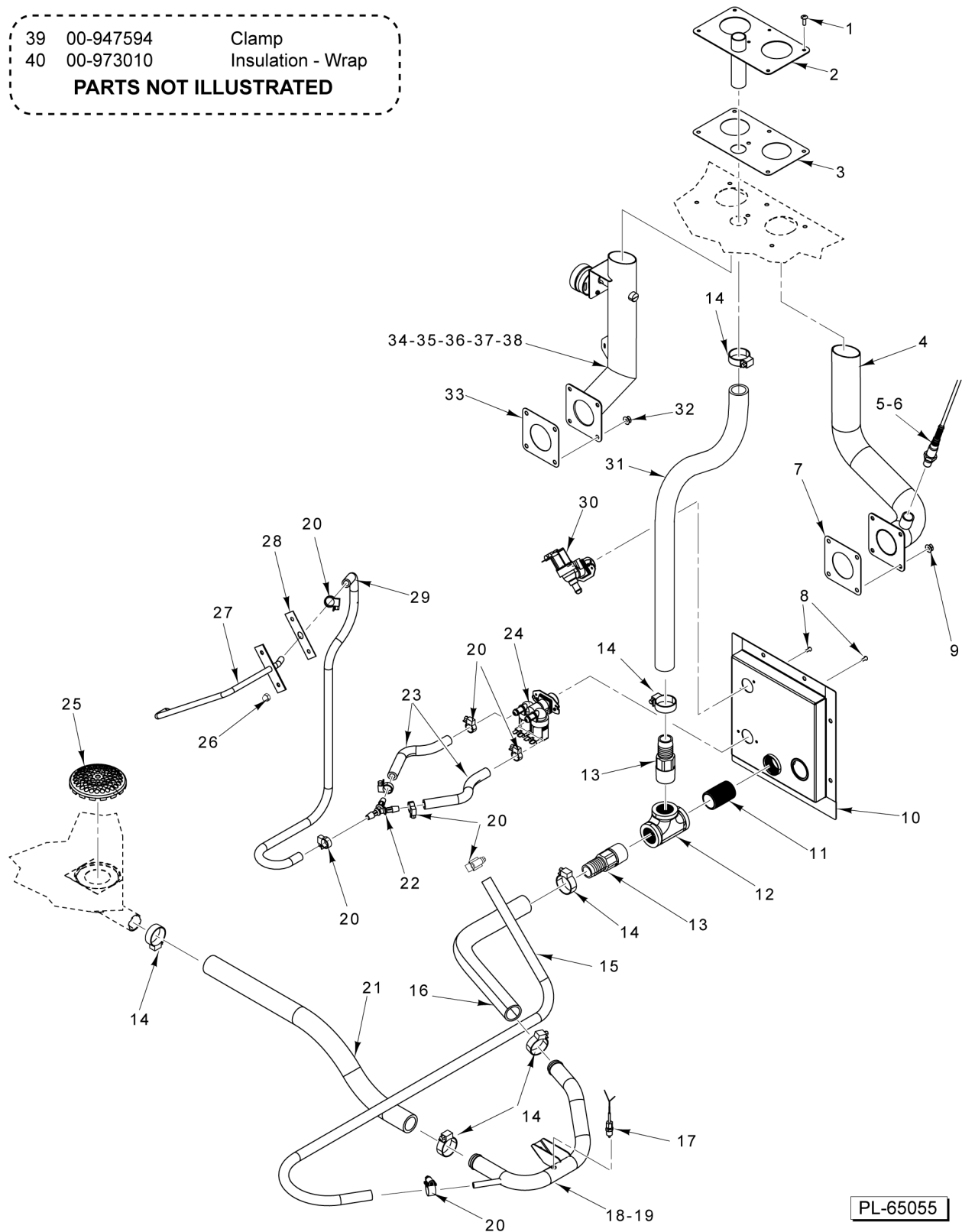
**PIPING AND VENTING
(BEFORE S/N 541082442
(208V), 541082482
(240V), 541082425 (480V))**

ILLUS. PL-60425	PART NO.	NAME OF PART	AMT.
1	SC-118-22	Mach. Screw 10-24 x 5/8 Phil. Truss Hd. (SST).....	6
2	00-947219	Vent Weldment.....	1
3	00-947220	Gasket - Vent.....	1
4	00-947196	Exhaust - Cavity.....	1
*5	00-973588	Kit, Oxygen Sensor , Red.....	1
**6	00-973590	Kit, Oxygen Sensor, Green.....	1
7	00-947169	Gasket.....	1
8	SC-122-37	Mach. Screw M4 x 0.7 x 10mm Phil. Pan Hd. (SST).....	4
9	NS-038-04	Lock Nut 1/4-20.....	4
10	00-973647	Utility Panel Assy.....	1
11	00-947643	Pipe 1 x 2 (SST).....	1
12	00-947561	Tee 1 x 1 x 1 (SST).....	3
13	00-947606	Adaptor - Hose (1 In. x 1 In. I.D.) (SST).....	4
14	00-947232	Clamp - Hose.....	6
15	00-947642	Hose (Drain Trap to Utility Panel).....	1
16	00-947562	Elbow (SST).....	2
17	00-973049	Reducer 1 In. to 1/8 In. (SST).....	1
18	00-973035	Probe - Temperature.....	1
19	00-947563	Pipe 1 In. (SST).....	1
20	00-947560	Bushing 1 In. to 3/8 In. (SST).....	1
21	00-947607	Adaptor - Hose (3/8 In. x 3/8 In. I.D.) (SST).....	1
22	00-947233	Clamp - Hose.....	5
23	00-947315	Tube.....	1
24	00-947641	Hose (Drain to Drain Trap).....	1
25	00-947172	Y-Fitting.....	1
26	00-947313	Tube.....	2
27	00-947138	Valve - Solenoid.....	1
28	00-947622	Cover - Drain.....	1
29	00-947192	Acorn Nut 1/4-20 (SST).....	2
30	00-945615	Nozzle.....	1
31	00-945616	Gasket - Nozzle.....	1
32	00-947314	Tube.....	1
33	00-947348	Valve - Water Fill.....	1
34	00-947669	Hose - Drain Vent.....	1
35	NS-038-04	Lock Nut 1/4-20.....	4
36	00-947169	Gasket.....	1
37	00-947378	Cavity Intake Assy. (Incls. Items 38 thru 41).....	1
38	00-947379	Shaft - Seal (Cavity Intake).....	1
39	00-945878	Motor.....	1
40	00-946995	Switch.....	2
41	00-947389	Seal - Damper (Cavity Intake).....	1
42	00-947594	Clamp.....	2
43	00-973010	Insulation (Wrap).....	1

* Before SN 541083068.

** SN 541083068 and after.

39 00-947594 Clamp
 40 00-973010 Insulation - Wrap
PARTS NOT ILLUSTRATED



PL-65055

PIPING AND VENTING
 (SN 541082442
 (208V), 541082482
 (240V), 541082425
 (480V) THRU SN 541083578)

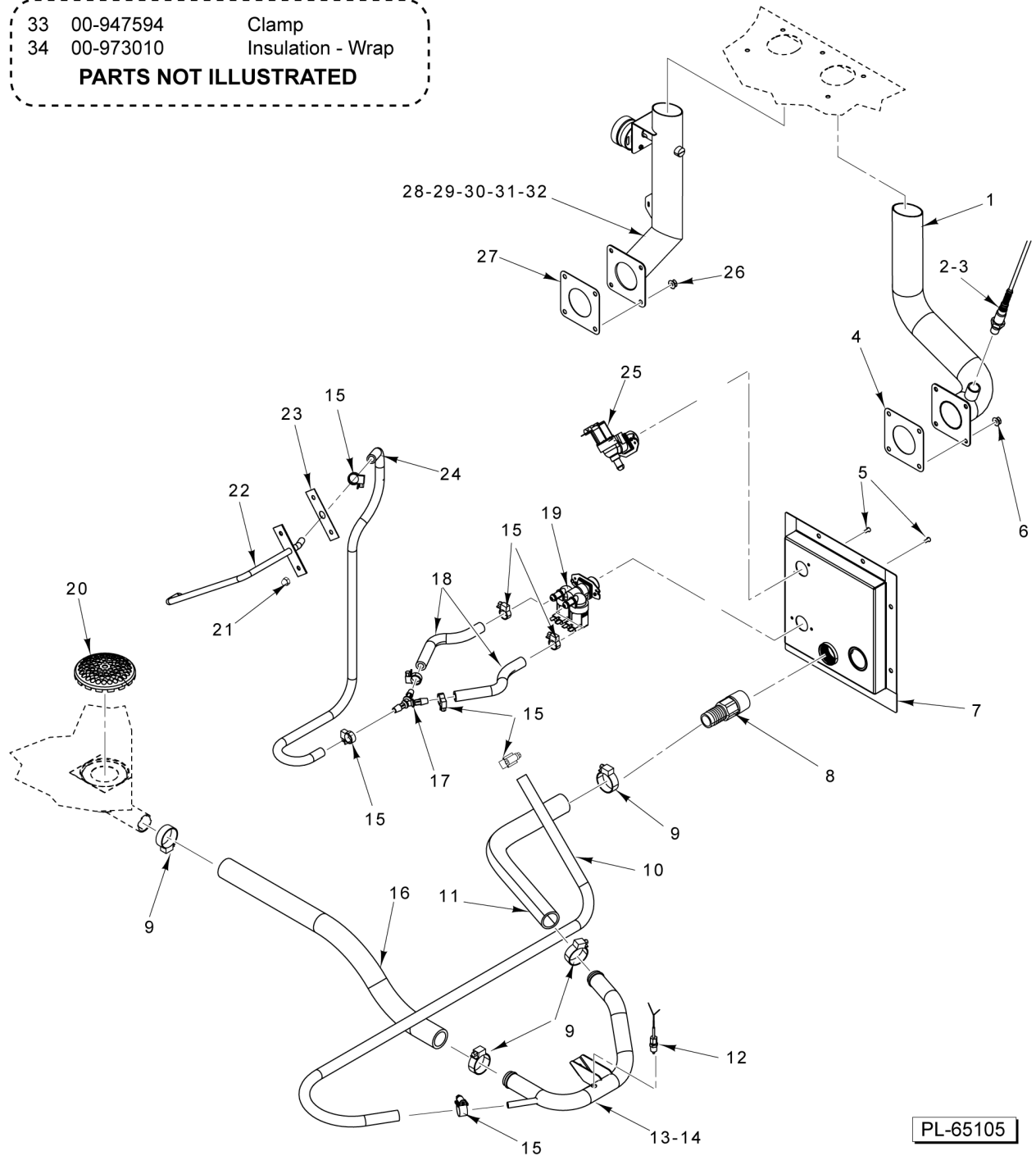
PIPING AND VENTING
(SN 541082442
(208V), 541082482
(240V), 541082425
(480V) THRU SN 541083578)

ILLUS.	PART NO.	NAME OF PART	AMT.
PL-65055			
1	00-973652	Mach. Screw 10-24 x 5/8 Truss HD / Nylon Patch.....	6
2	00-947219	Vent Weldment.....	1
3	00-947220	Gasket - Vent.....	1
4	00-947196	Exhaust - Cavity.....	1
*5	00-973588	Kit, Oxygen Sensor , Red.....	1
**6	00-973590	Kit, Oxygen Sensor, Green.....	1
7	00-947169	Gasket.....	1
8	SC-122-37	Mach. Screw M4 x 0.7 x 10mm Phil. Pan Hd. (SST).....	4
9	NS-038-04	Lock Nut 1/4-20.....	4
10	00-973647	Utility Panel Assy.....	1
11	00-947643	Pipe 1 x 2 (SST).....	1
12	00-947561	Tee 1 x 1 x 1 (SST).....	1
13	00-947606	Adaptor - Hose (1 In. x 1 In. I.D.) (SST).....	2
14	00-947232	Clamp - Hose.....	6
15	00-947315	Tube (Drain to Drain Trap).....	1
16	00-947642	Hose (Drain Trap to Utility Panel).....	1
17	00-973035	Probe - Temperature.....	1
18	00-973339	Drain - P-Trap.....	1
19	00-973652	Mach. Screw 10-24 x 5/8 Truss HD / Nylon Patch.....	1
20	00-947233	Clamp - Hose.....	8
21	00-947641	Hose.....	1
22	00-947172	Y-Fitting.....	1
23	00-947313	Tube.....	2
24	00-947138	Valve - Solenoid.....	1
25	00-947622	Cover - Drain.....	1
26	00-947192	Acorn Nut 1/4-20 (SST).....	2
27	00-945615	Nozzle.....	1
28	00-945616	Gasket - Nozzle.....	1
29	00-947314	Tube.....	1
30	00-947348	Valve - Water Fill.....	1
31	00-947669	Hose - Drain Vent.....	1
32	NS-038-04	Lock Nut 1/4-20.....	4
33	00-947169	Gasket.....	1
34	00-947378	Cavity Intake Assy. (Incls. Items 35 thru 38).....	1
35	00-947379	Shaft - Seal (Cavity Intake).....	1
36	00-945878	Motor.....	1
37	00-946995	Switch.....	2
38	00-947389	Seal - Damper (Cavity Intake).....	1
39	00-947594	Clamp.....	2
40	00-973010	Insulation (Wrap).....	1

* Before SN 541083068.

** SN 541083068 and after.

33 00-947594 Clamp
 34 00-973010 Insulation - Wrap
PARTS NOT ILLUSTRATED



PL-65105

**PIPING AND VENTING
 (STARTING SN 541083589)**

**PIPING AND VENTING
(STARTING SN 541083589)**

ILLUS. PL-65105	PART NO.	NAME OF PART	AMT.
1	00-947196	Exhaust - Cavity.....	1
*2	00-973588	Kit, Oxygen Sensor , Red.....	1
**3	00-973590	Kit, Oxygen Sensor, Green.....	1
4	00-947169	Gasket.....	1
5	SC-122-37	Mach. Screw M4 x 0.7 x 10mm Phil. Pan Hd. (SST).....	4
6	NS-038-04	Lock Nut 1/4-20.....	4
7	00-973647	Utility Panel Assy.....	1
8	00-947606	Adaptor - Hose (1 In. x 1 In. I.D.) (SST).....	1
9	00-947232	Clamp - Hose.....	4
10	00-947315	Tube (Drain to Drain Trap).....	1
11	00-947642	Hose (Drain Trap to Utility Panel).....	1
12	00-973035	Probe - Temperature.....	1
13	00-973339	Drain - P-Trap.....	1
14	00-973652	Mach. Screw 10-24 x 5/8 Truss HD / Nylon Patch.....	1
15	00-947233	Clamp - Hose.....	8
16	00-947641	Hose.....	1
17	00-947172	Y-Fitting.....	1
18	00-947313	Tube.....	2
19	00-947138	Valve - Solenoid.....	1
20	00-947622	Cover - Drain.....	1
21	00-947192	Acorn Nut 1/4-20 (SST).....	2
22	00-945615	Nozzle.....	1
23	00-945616	Gasket - Nozzle.....	1
24	00-947314	Tube.....	1
25	00-947348	Valve - Water Fill.....	1
26	NS-038-04	Lock Nut 1/4-20.....	4
27	00-947169	Gasket.....	1
28	00-947378	Cavity Intake Assy. (Incls. Items 28 thru 32).....	1
29	00-947379	Shaft - Seal (Cavity Intake).....	1
30	00-945878	Motor.....	1
31	00-946995	Switch.....	2
32	00-947389	Seal - Damper (Cavity Intake).....	1
33	00-947594	Clamp.....	2
34	00-973010	Insulation (Wrap).....	1

* Before SN 541083068.

** SN 541083068 and after.

