

# **VULCAN**

## **CATALOG OF REPLACEMENT PARTS**

### **1GR SERIES FRYER STAND ALONE**

<i>MODEL</i>	<i>ML NUMBER</i>
1GR35M	ML-136407
1GR45M	ML-136408
1GR65M	ML-136409
1GR85M	ML-136410
1GR45D	ML-136411
1GR65D	ML-136412
1GR85D	ML-136413
1GR45C	ML-136414
1GR65C	ML-136415
1GR85C	ML-136416
1GR45DF	ML-136788
1GR85DF	ML-136790
1GR45CF	ML-136791
1GR85CF	ML-136793

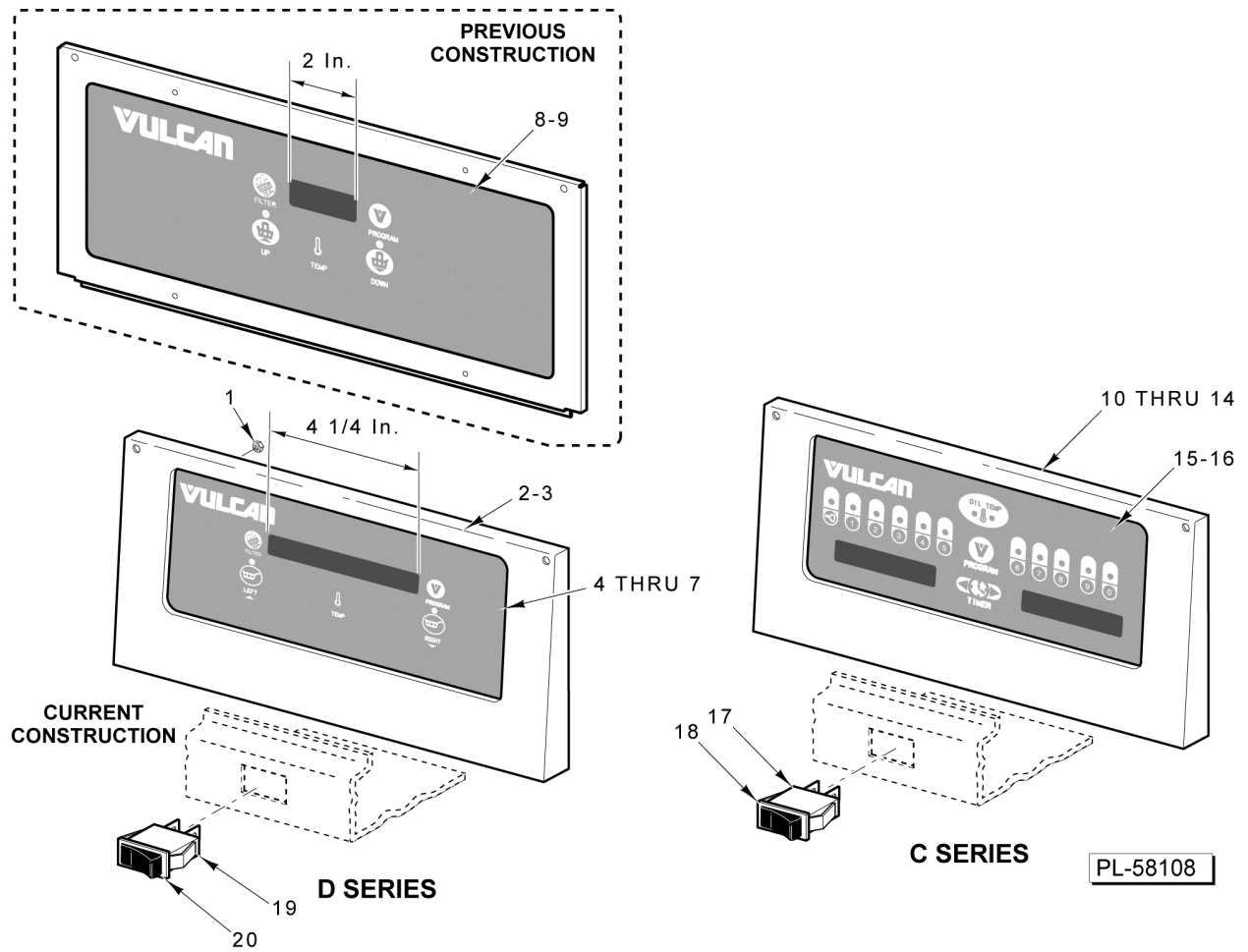


**For additional information on Vulcan-Hart Company or to locate an authorized parts and service provider in your area, visit our website at [www.vulcanequipment.com](http://www.vulcanequipment.com)**



### Table of Contents

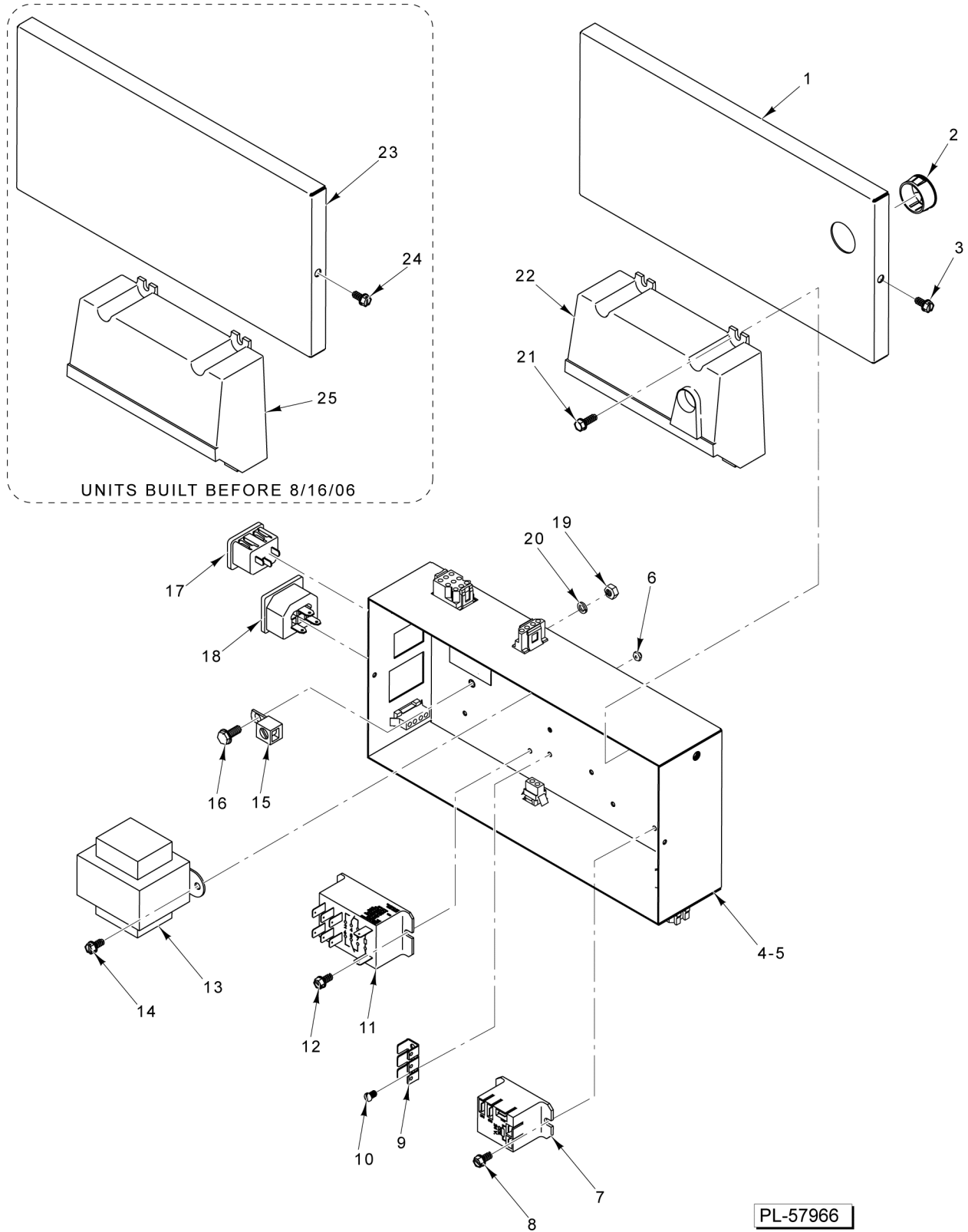
5	CONTROL PANEL (NCC)
7	POWER SUPPLY BOX
9	BODY UNIT (1GRC & 1GRD SERIES)
11	BODY UNIT (1GRM)
13	BODY UNIT (FRYERS WITH FILTER)
15	BURNER COMPONENTS (1GRC & 1GRD SERIES)
17	BURNER COMPONENTS (1GRM SERIES)
19	GAS VALVE (1GRC & 1GRD SERIES) (PREVIOUS CONSTRUCTION)
21	GAS VALVE (1GRC & 1GRD SERIES) (CURRENT CONSTRUCTION)
23	GAS VALVE (1GRM SERIES) (PREVIOUS CONSTRUCTION)
25	GAS VALVE (1GRM SERIES) (CURRENT CONSTRUCTION)
27	TANK AND DRAIN ASSEMBLY
29	OIL RETURN (1GR45CF/DF & 1GR85CF/DF)
31	FILTER ASSEMBLY
33	BASKETLIFT COMPONENTS (OPTIONAL)



**CONTROL PANEL (NCC)**

**CONTROL PANEL (NCC)**

ILLUS.	PART NO.	NAME OF PART	AMT.
PL-58108			
1	NS-046-89	Nut Assy. 6-32 Hex.....	4
2	00-426815-000G1	Plate Assy. - Mounting (1GR45C, 1GR45D, & 1GR45CF).....	1
3	00-426815-000G2	Plate Assy. - Mounting (1GR65/85C, 1GR65/85D, & 1GR85CF/DF).....	1
4	00-497745-00001	Overlay - Vulcan (Filter).....	1
5	00-497745-00003	Overlay - Vulcan (Boil).....	1
6	00-913086-00004	Control Assy. - Solid State (Filter Button) (Incls. Item 4).....	1
7	00-913086-00003	Control Assy. - Solid State (Boil Button) (Incls. Item 5).....	1
8	00-497421-00001	Overlay - Control Panel (Boil Button).....	1
9	00-427820-00001	Overlay - Control Panel (Filter Button).....	1
10	00-913086-00002	Computer Cooking Assy. (Filter Button) (Incls. Item 15).....	1
11	00-913086-00001	Computer Cooking Assy. (Boil Button) (Incls. Item 16).....	1
12	00-426815-000G1	Plate Assy. - Mounting (1GR45C, 1GR45D, & 1GR45CF).....	1
13	00-426815-000G2	Plate Assy. - Mounting (1GR65/85C, 1GR65/85D, & 1GR85CF/DF).....	1
14	NS-046-89	Nut Assy. 6-32 Hex.....	4
15	00-426732-00001	Overlay - Control Panel (Filter Button).....	1
16	00-497422-00001	Overlay - Control Panel (Boil Button).....	1
17	00-427755-000G1	Rocker Switch Assy. - Power.....	1
18	00-428906-00001	Overlay - Power.....	1
19	00-427755-000G1	Rocker Switch Assy. - Power.....	1
20	00-428906-00001	Overlay - Power.....	1

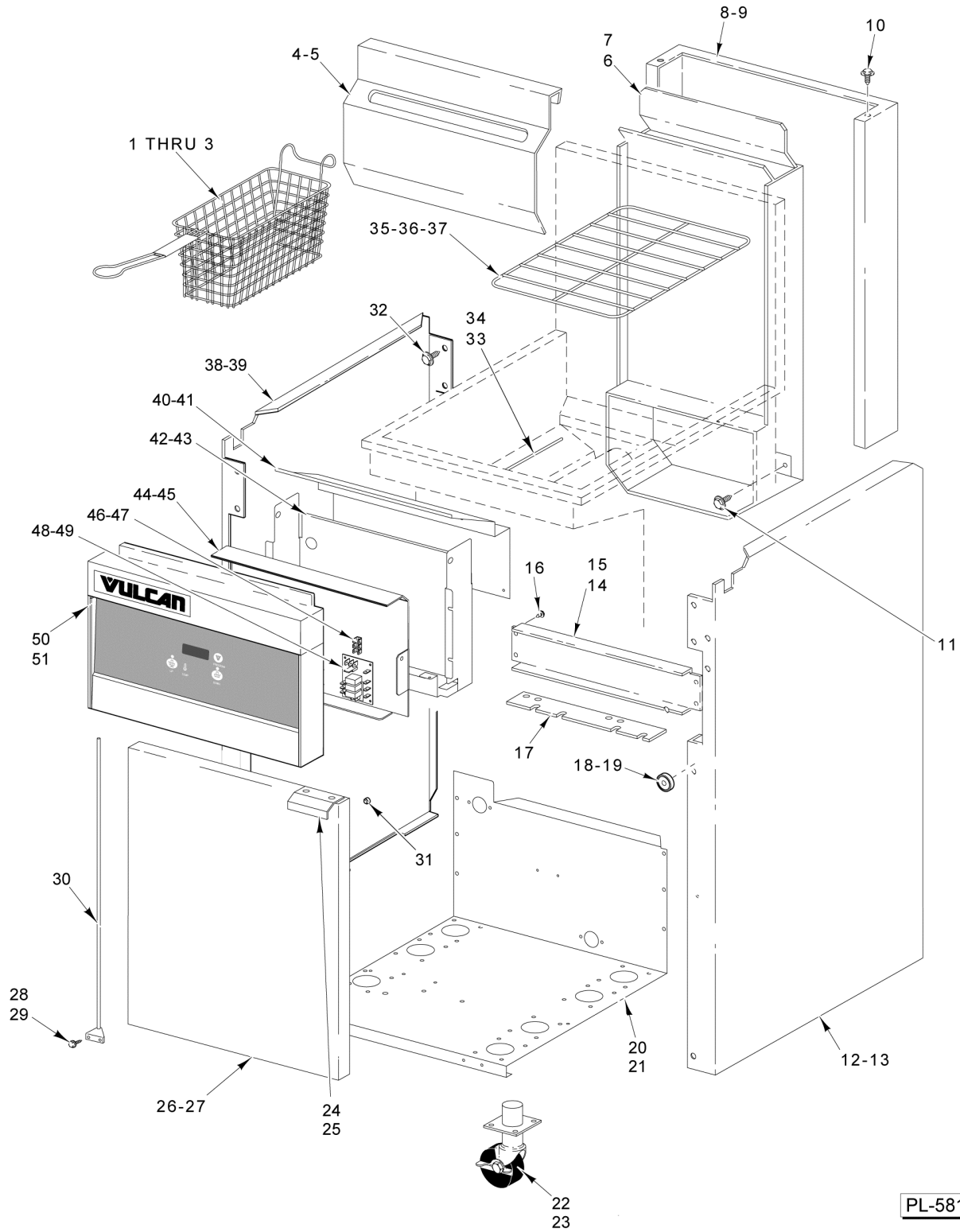


**POWER SUPPLY BOX**

**POWER SUPPLY BOX**

ILLUS.	PART NO.	NAME OF PART	AMT.
	<b>PL-57966A</b>		
1	00-428684-00002	Lid - Power Supply (Machines Built After 8/16/06).....	1
2	FE-024-24	Bushing - Electrical Snap.....	1
3	SD-036-03	Self-Tapping Screw 8-18 x 3/8 Hex Washer Hd., Type AB.....	2
4	00-428716-000G1	Box - Power Supply (Filter).....	1
5	00-428716-000G2	Box - Power Supply (Non-Filter).....	1
6	NS-047-32	Lock Nut 4-40.....	2
7	00-497125-00001	Relay (S.P.D.T., 24 VAC).....	1
8	SD-036-03	Self-Tapping Screw 8-18 x 3/8 Hex Washer Hd., Type AB.....	2
9	00-419317	Terminal - Stationary - Lug.....	1
10	SC-060-23	Mach. Screw 4-40 x 1/4 Slotted Rd. Hd.....	2
11	00-428864-00001	Relay.....	1
12	SD-036-03	Self-Tapping Screw 8-18 x 3/8 Hex Washer Hd., Type AB.....	2
13	00-411500-00012	Transformer (120 VAC, 24 V., 40 VA).....	1
14	SD-036-03	Self-Tapping Screw 8-18 x 3/8 Hex Washer Hd., Type AB.....	2
15	00-417856-00001	Lug - Grounding (With Set Screw).....	1
16	SD-032-07	Self-Tapping Screw 10-24 x 1/2 Hex Washer Hd., Type TT.....	1
17	00-419973-000G1	Receptacle - Male Power.....	1
18	00-419973-000G2	Receptacle - Female Power.....	1
19	NS-044-09	Nut Assy. 10-24 Hex KEPS.....	1
20	WL-004-40	Lockwasher 10 Helical.....	1
21	SD-037-49	Self-Tapping Screw 8-18 x 1/2 Hex Washer Hd., Type AB.....	4
22	00-857207-00001	Module - Ignition (Machines Built After 8/16/06).....	1
23	00-428684-00001	Lid - Power Supply Box (Machines Built On Or Before 8/16/06).....	1
24	SD-036-03	Self-Tapping Screw 8-18 x 3/8 Hex Washer Hd., Type AB.....	2
*25		Module - Ignition (Machines With Electronic Ignition) (Machines Built On Or Before 8/16/06).....	1
	00-428685-000G2	Box - Power Supply (120 V.) (With Filtration) (Incls. Items 1 thru 4 & 6 thru 24).....	1
	00-428685-000G5	Box - Power Supply (Without Filtration) (Incls. Items 1, 2, 3, 5, 6, 8, 9, 10, 12 thru 17, & 19 thru 24).....	1

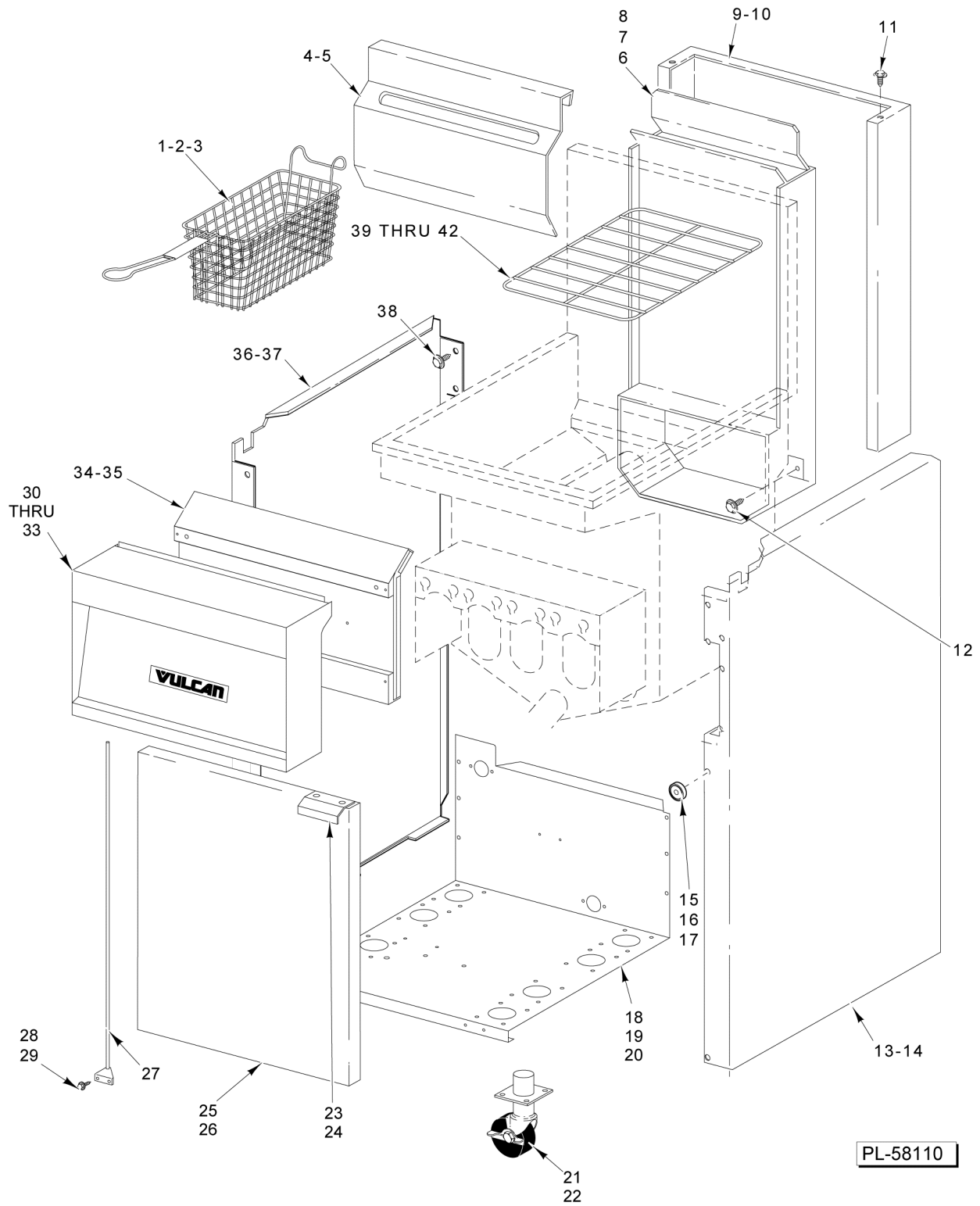
\* Order items 1, 2, & 22 for replacement.



**BODY UNIT  
(1GRC & 1GRD SERIES)**

**BODY UNIT  
(1GRC & 1GRD SERIES)**

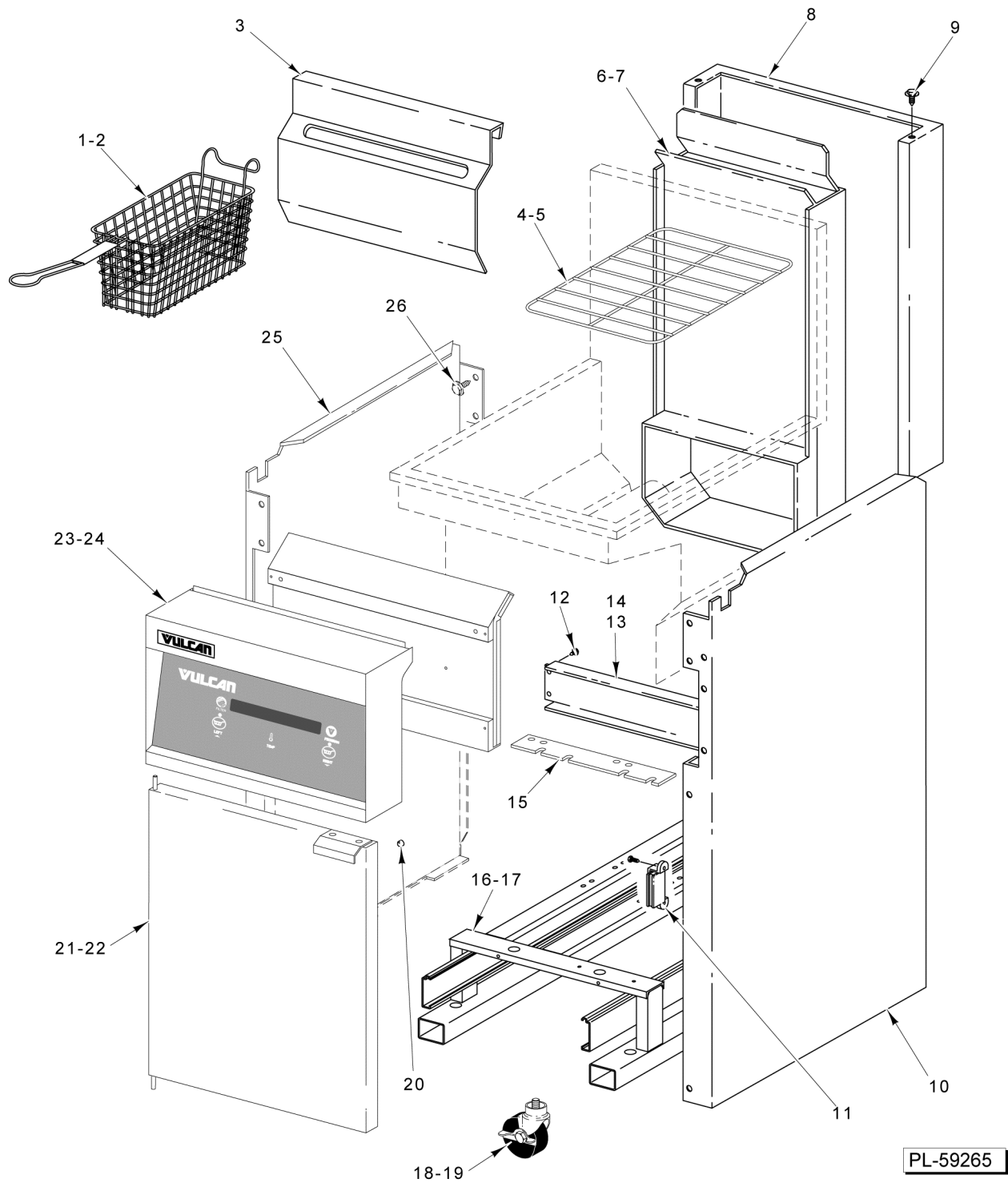
ILLUS. PL-58109	PART NO.	NAME OF PART	AMT.
1	00-499223-00001	Basket - Twin (1GR45C & 1GR45D).....	2
2	00-499223-00002	Basket - Twin (1GR65C & 1GR65D).....	2
3	00-499223-00003	Basket - Twin (1GR85C & 1GR85D).....	1
4	00-417056-00002	Hanger - Basket (1GR45C & 1GR45D).....	2
5	00-418321-00002	Hanger - Basket (1GR65C/D & 1GR85C/D).....	2
6	00-418201-000G2	Flue Assy. (4 Tube) (1GR45C & 1GR45D).....	1
7	00-418205-000G1	Flue Assy. (5 Tube) (1GR65C/D & 1GR85C/D).....	1
8	00-416959-00002	Wrap - Flue (3 Tube or 4 Tube) (1GR45C & 1GR45D).....	1
9	00-418336-00002	Wrap - Flue (5 Tube) (SST) (1GR65C/D & 1GR85C/D).....	1
10	SD-032-07	Self-Tapping Screw 10-24 x 1/2 Hex Washer Hd., Type TT.....	2
11	SD-037-70	Self-Tapping Screw 1/4-20 x 1/2 Hex Washer Hd., Type TT.....	4
12	00-419648-00002	Body - RH Side (SST) (1GR45/65C & 1GR45/65D).....	1
13	00-420596-00004	Body - Side (SST) (RH) (1GR85C & 1GR85D).....	1
14	00-428699-00001	Brace - Rear (1GR45C & 1GR45D).....	1
15	00-428749-00001	NLA - Obsolete--Brace - Rear (1HG65C & 1HG65/85D).....	1
16	SD-032-07	Self-Tapping Screw 10-24 x 1/2 Hex Washer Hd., Type TT.....	2
17	00-428688-00001	Bracket - Power Supply Mounting.....	1
18	RS-033-04	Rivet - Pop.....	1
19	00-497296-000G2	Magnet Assy.....	1
20	00-497428-00001	Body - Bottom (1GR45C & 1GR45D).....	1
21	00-497428-00003	Body - Bottom (1GR65C/D & 1GR85C/D).....	1
22	00-421893-00001	Mount Plate - Caster.....	AR
23	00-421893-00002	Caster 4 In. (No Brake).....	AR
24	00-419653	Handle - Door.....	1
25	RS-033-09	Rivet - Pop (0.187).....	2
26	00-499487-000G1	Door Assy. (LH) (1GR45C & 1GR45D).....	1
27	00-499487-000G5	Door Assy. (LH) (1GR65C/D & 1GR85C/D).....	1
28	SD-032-07	Self-Tapping Screw 10-24 x 1/2 Hex Washer Hd., Type TT.....	2
29	NS-044-09	Nut Assy. 10-24 Hex KEPS.....	2
30	00-428023-000G2	Hinge Assy.....	1
31	00-420769-00001	Bumper - Rubber.....	1
32	SD-036-03	Self-Tapping Screw 8-18 x 3/8 Hex Washer Hd., Type AB.....	AR
33	00-419592-00001	Clip - Thermistor Probe.....	1
34	00-419379-00001	Probe - Thermistor.....	1
35	00-427883-00002	Screen - Basket Support (1GR45C & 1GR45D).....	1
36	00-427883-00003	Screen - Basket Support (1GR65C & 1GR65D).....	1
37	00-427883-00004	Screen - Basket Support (1GR85C & 1GR85D).....	1
38	00-419648-00001	Body - LH Side (SST) (1GR45/65C & 1GR45/65D).....	1
39	00-420596-00003	Body - LH Side (SST) (1GR85C & 1GR85D).....	1
40	00-428548-00001	Heat Shield (1GR45C & 1GR45D).....	1
41	00-428548-00002	Heat Shield (1GR65/85C & 1GR65/85D).....	1
42	00-428542-00001	Deflector Assy. (1GR45C & 1GR45D).....	1
43	00-428689-00001	Deflector Assy. (1GR65C/D & 1GR85C/D).....	1
44	00-428541-00001	Plate - Control Mounting (1GR45C & 1GR45D).....	1
45	00-428690-00001	Plate - Control Mounting (1GR65C/D & 1GR85C/D).....	1
46	00-419317	Terminal - Stationary.....	1
47	SC-060-23	Mach. Screw 4-40 x 1/4 Slotted Rd. Hd.....	2
48	00-427759-00001	Control - Interface.....	1
49	SD-024-40	Self-Tapping Screw 6-32 x 5/8 Phil. Pan Hd., Type TT.....	4
50	00-426806-000G1	Frame - Front Assy. (1GR45C & 1GR45D).....	1
51	00-426806-000G4	Frame - Front Assy. (1GR65C/D & 1GR85C/D).....	1



**BODY UNIT (1GRM)**

## BODY UNIT (1GRM)

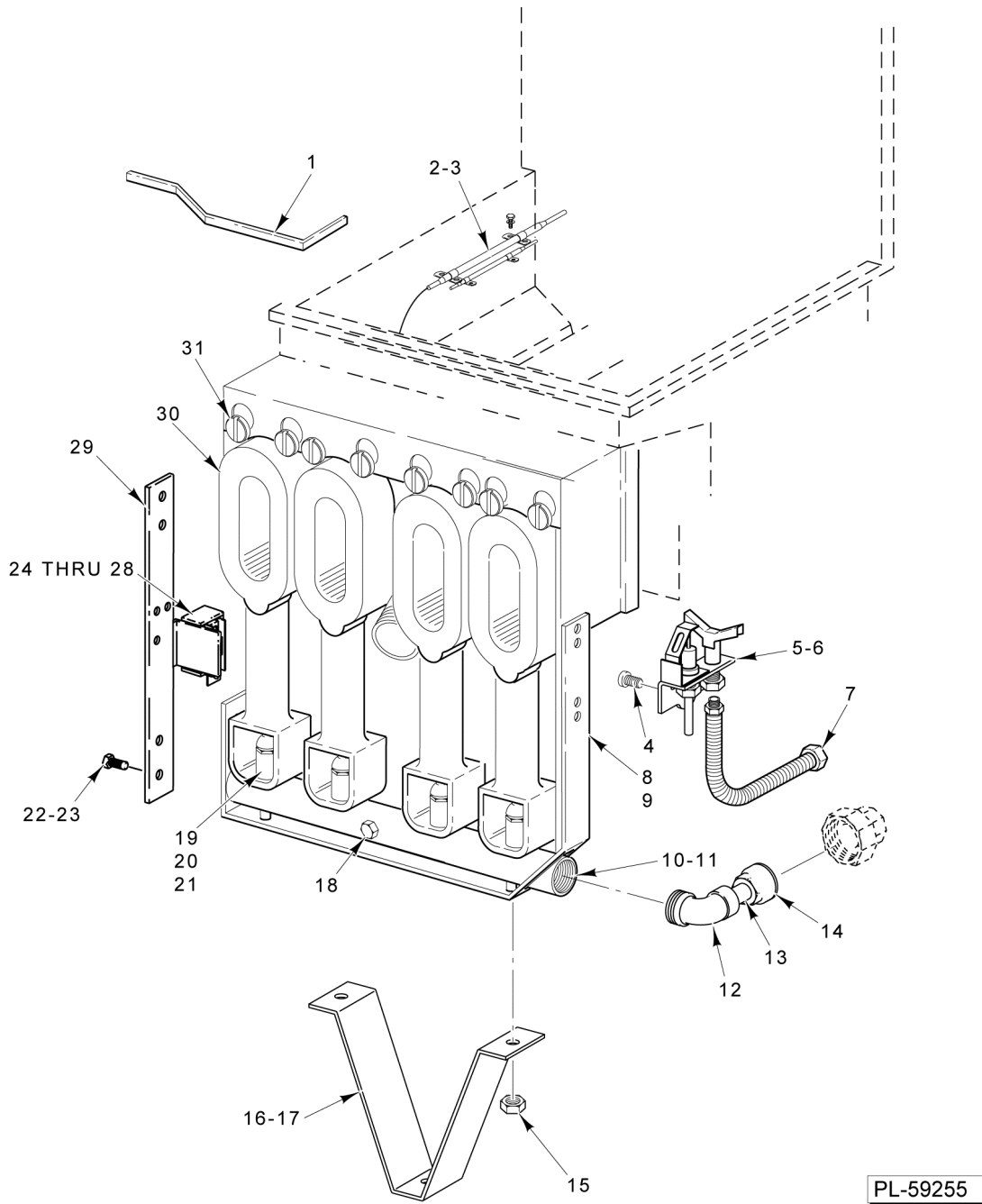
ILLUS. PL-58110	PART NO.	NAME OF PART	AMT.
1	00-499223-00001	Basket - Twin (1GR35M & 1GR45M).....	2
2	00-499223-00002	Basket - Twin (1GR65M).....	2
3	00-499223-00003	Basket - Twin (1GR85M).....	1
4	00-417056-00002	Hanger - Basket (1GR35M & 1GR45M).....	2
5	00-418321-00002	Hanger - Basket (1GR65M & 1GR85M).....	2
6	00-416994-000G2	Flue Assy. (3 Tube) (1GR35M).....	1
7	00-418201-000G2	Flue Assy. (4 Tube) (1GR45M).....	1
8	00-418205-000G2	Flue Assy. (5 Tube) (1GR65M & 1GR85M).....	1
9	00-416959-00002	Wrap - Flue (3 Tube or 4 Tube) (SST) (1GR35M & 1GR45M).....	1
10	00-418336-00002	Wrap - Flue (5 Tube) (SST) (1GR65M & 1GR85M).....	1
11	SD-032-07	Self-Tapping Screw 10-24 x 1/2 Hex Washer Hd., Type TT.....	2
12	SD-037-70	Self-Tapping Screw 1/4-20 x 1/2 Hex Washer Hd., Type TT.....	4
13	00-419648-00002	Body - RH Side (SST) (1GR35M, 1GR45M, & 1GR65M).....	1
14	00-420596-00004	Body - Side (SST) (RH) (1GR85M).....	1
15	00-497296-00001	Magnet - Door.....	1
16	RS-033-04	Rivet - Pop.....	1
17	00-497296-000G2	Magnet Assy.....	2
18	00-497428-00001	Body - Bottom (1GR35M & 1GR45M).....	1
19	00-497428-00003	Body - Bottom (1GR65M).....	1
20	00-497428-00004	Body - Bottom (1GR85M).....	1
21	00-421893-00001	Mount Plate - Caster.....	AR
22	00-421893-00002	Caster 4 In. (No Brake).....	AR
23	00-419653	Handle - Door.....	1
24	RS-033-09	Rivet - Pop (0.187).....	2
25	00-499487-000G1	Door Assy. (LH) (1GR35M & 1GR45M).....	1
26	00-499487-000G5	Door Assy. (LH) (1GR65M & 1GR85M).....	1
27	00-428023-000G2	Hinge Assy.....	1
28	SD-032-07	Self-Tapping Screw 10-24 x 1/2 Hex Washer Hd., Type TT.....	2
29	NS-044-09	Nut Assy. 10-24 Hex KEPS.....	2
30	00-428116-000G1	Frame - Front Assy. (1GR35M & 1GR45M).....	1
31	00-428116-000G2	Frame - Front Assy. (1GR65M & 1GR85M).....	1
32	00-417700-00002	Nameplate (6 In.).....	1
33	NS-047-79	Pal Nut 3/16.....	2
34	00-418379-000G1	Heat Shield (1GR35M & 1GR45M).....	1
35	00-418324-000G1	Heat Shield (1GR65M & 1GR85M).....	1
36	00-419648-00001	Body - LH Side (SST) (1GR35M, 1GR45M, & 1GR65M).....	1
37	00-420596-00003	Body - Side (SST) (LH) (1GR85M).....	1
38	SD-036-03	Self-Tapping Screw 8-18 x 3/8 Hex Washer Hd., Type AB.....	AR
39	00-427886-00001	Screen - Basket Support (1GR35M).....	1
40	00-427883-00002	Screen - Basket Support (1GR45M).....	1
41	00-427883-00003	Screen - Basket Support (1GR65M).....	1
42	00-427883-00004	Screen - Basket Support (1GR85M).....	1



**BODY UNIT  
(FRYERS WITH FILTER)**

**BODY UNIT  
(FRYERS WITH FILTER)**

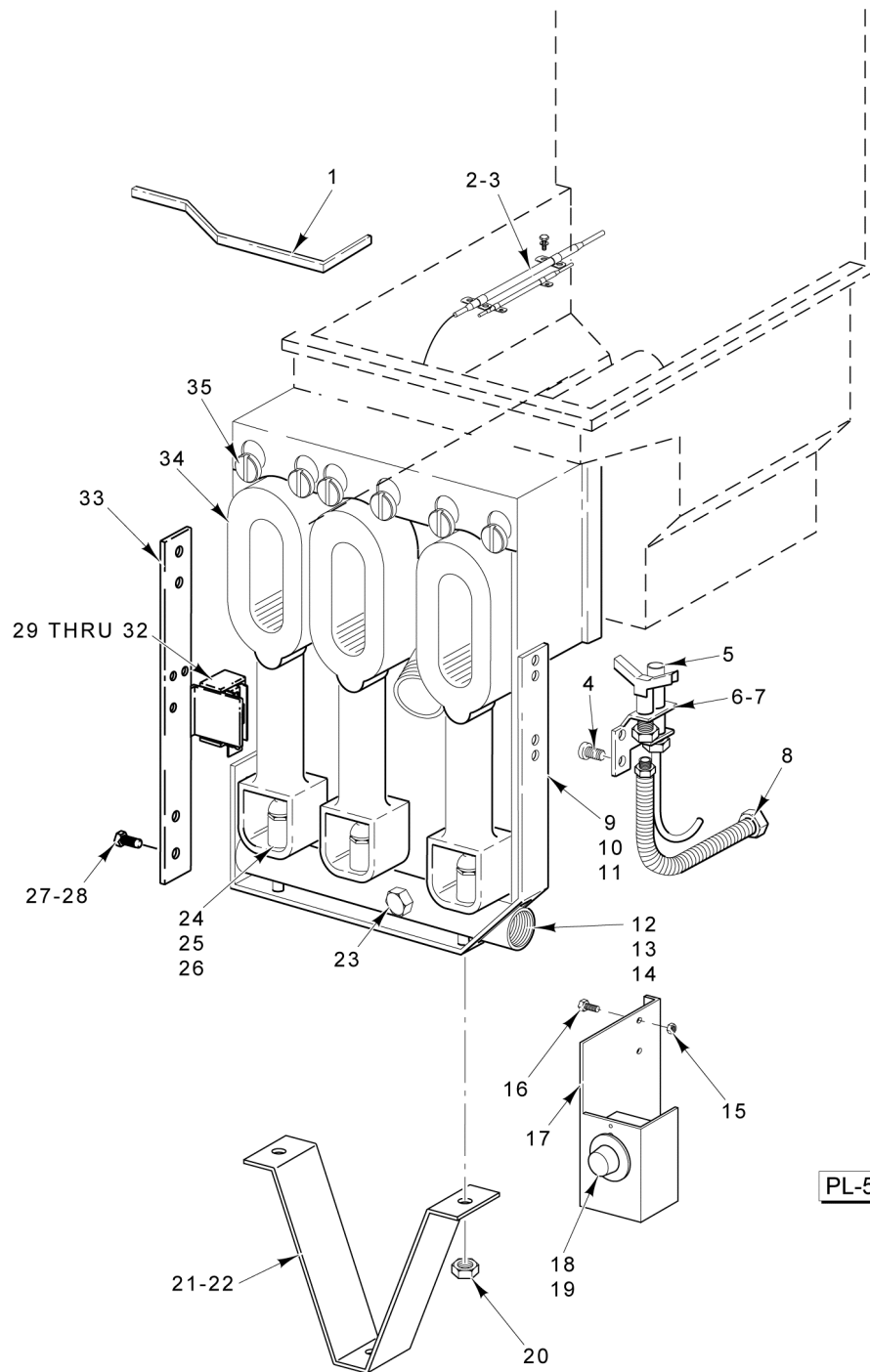
ILLUS. PL-59265	PART NO.	NAME OF PART	AMT.
1	00-499223-00003	Basket - Twin (1GR85CF/DF).....	AR
2	00-499223-00001	Basket - Twin (1GR45CF/DF).....	1
3	00-418321-00002	Hanger - Basket (1GR85CF/DF).....	1
4	00-427883-00004	Screen - Basket Support (1GR85CF/DF).....	1
5	00-427883-00002	Screen - Basket Support (1GR45CF/DF).....	1
6	00-418205-000G2	Flue Assy. (1GR85CF/DF).....	1
7	00-418201-000G3	Flue Assy. (1GR45CF/DF).....	1
8	00-418336-00002	Flue - Wrap (SST) (1GR85CF/DF).....	1
9	SD-032-07	Self-Tapping Screw 10-24 x 1/2 Hex Washer Hd., Type TT.....	AR
10	00-419777-00004	Body - RH Side (SST).....	1
11	00-497296-000G2	Magnet Assy. - Door.....	1
12	SD-032-07	Self-Tapping Screw 10-24 x 1/2 Hex Washer Hd., Type TT.....	AR
13	00-428699-00002	Brace - Rear (1GR45CF/DF).....	1
14	00-428749-00002	NLA - Obsolete--Brace - Rear.....	1
15	00-428688-00001	Bracket - Power Supply Mounting.....	1
16	00-956903-000G1	Base Assy. - Frame (1GR45CF/DF).....	1
17	00-956906-000G3	Base Assy. - Frame (1GR85CF/DF).....	AR
18	00-418907-00001	Caster - Swivel Assy. (Adjustable).....	2
19	00-418907-00003	Caster - Plate Mount (4 In.).....	2
20	00-420769-00001	Bumper - Rubber.....	1
21	00-499487-000G7	Door Assy. - With Hinge (LH) (1GR85CF/DF).....	1
22	00-499487-000G3	Door Assy. - With Hinge (LH) (1GR45CF/DF).....	1
23	00-426806-000G1	Frame - Front Assy. (1GR45CF/DF).....	AR
24	00-426806-000G4	Frame - Front Assy. (1GR85CF/DF).....	1
25	00-419777-00003	Body - LH Side (SST).....	1
26	SD-037-70	Self-Tapping Screw 1/4-20 x 1/2 Hex Washer Hd., Type TT.....	AR



**BURNER COMPONENTS  
(1GRC & 1GRD SERIES)**

## BURNER COMPONENTS (1GRC & 1GRD SERIES)

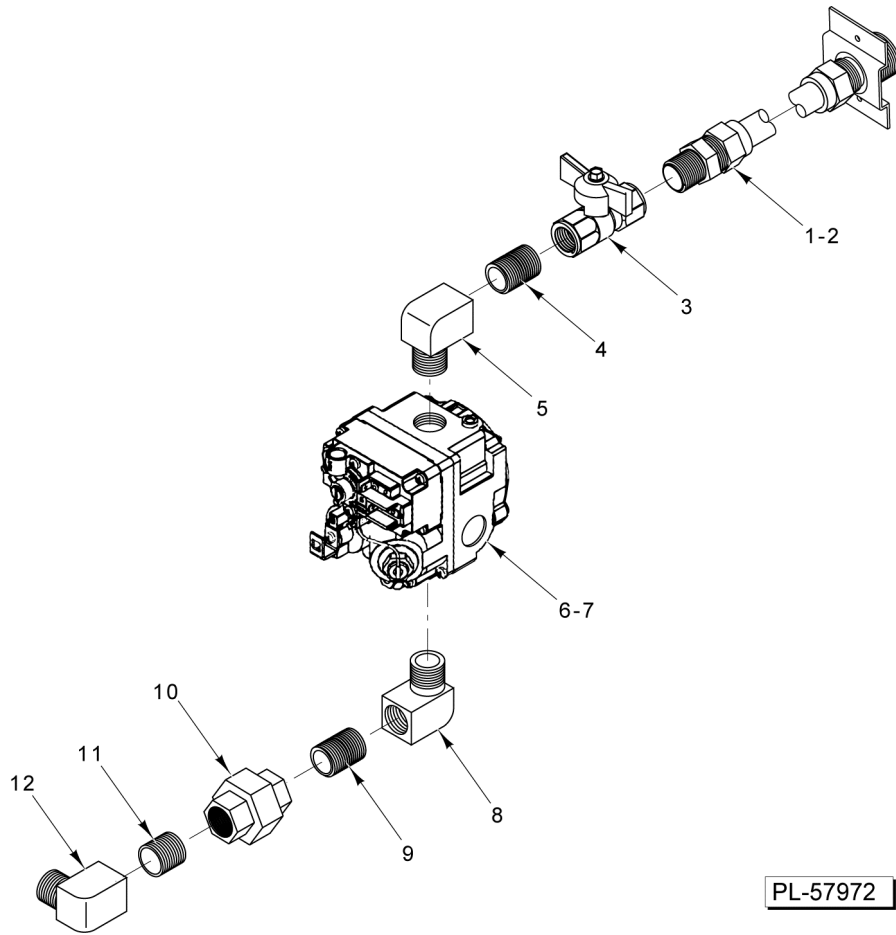
ILLUS. PL-59255	PART NO.	NAME OF PART	AMT.
1	00-409300-00005	Rod - Clean-Out.....	1
2	00-417522-00003	Clip - Capillary.....	4
3	SD-035-02	Self-Tapping Screw 8-18 x 3/8 Hex Washer Hd., Type AB.....	4
4	SC-018-32	Mach. Screw 8-32 x 3/8 Pan Hd.....	2
5	00-419316-00001	Pilot (Nat. Gas) (W/Electronic Ignition).....	1
6	00-419316-00002	Pilot (L.P. Gas) (W/Electronic Ignition).....	1
7	00-426505-00023	Tube - Flex 1/4 O.D. x 23 In. Lg.....	1
8	00-418211-00001	Hanger - Manifold (4 Tube).....	1
9	00-418317-00001	Hanger - Manifold (5 Tube).....	1
10	00-418212-00001	Manifold - Burner (4 Tube).....	1
11	00-418318-00001	Manifold - Burner (5 Tube).....	1
12	FP-086-74	Elbow - Street 1/2 x 90 Deg. (Brass).....	1
13	FP-059-01	Pipe 1/2 x 1 3/4 TBE.....	1
14	FP-022-11	Union - Pipe.....	1
15	NS-047-72	Lock Nut 1/4-20.....	2
16	00-420561-00001	Bracket - Support (1GR45C & 1GR45D).....	1
17	00-420562-00001	Bracket - Support (1GR65/85C & 1GR65/85D).....	1
18	FP-085-53	Pipe Plug 1/8.....	1
19	00-010901-00039	Orifice - Spud (39 Drill).....	AR
20	00-010901-00052	Orifice - Spud (LP Gas) (Sea Level - 3499 Ft.).....	AR
21	00-410695-00001	Extension - Orifice.....	AR
22	SD-037-70	Self-Tapping Screw 1/4-20 x 1/2 Hex Washer Hd., Type TT.....	AR
23	NS-046-52	Nut Assy. 1/4-20 Hex.....	AR
24	00-419548	Bracket - Hi-Limit.....	1
25	SD-037-70	Self-Tapping Screw 1/4-20 x 1/2 Hex Washer Hd., Type TT.....	4
26	NS-046-52	Nut Assy. 1/4-20 Hex.....	4
27	SD-036-80	Self-Tapping Screw 8-32 x 3/8 Hex Washer Hd., Type TT.....	2
28	00-410840-00002	Box - Control With Stuffing Hi-Limit.....	1
29	00-417714-00001	Extension - Hanger.....	1
30	00-410681-00001	Burner.....	AR
31	00-428035-00001	Bolt - Shoulder.....	AR
	00-427953-00001	Bracket - Tank To Pilot.....	1
	00-427952-00001	Bracket - Pilot Mounting.....	1
	SC-027-55	Mach. Screw 10-32 x 1/4 Slotted Rd. Hd. (Brass).....	2
	00-419359	Cable - Spark Ignitor (36 In.).....	1



**BURNER COMPONENTS  
(1GRM SERIES)**

## BURNER COMPONENTS (1GRM SERIES)

ILLUS. PL-59256	PART NO.	NAME OF PART	AMT.
1	00-409300-00005	Rod - Clean-Out.....	1
2	00-417522-00003	Clip - Capillary.....	4
3	SD-035-02	Self-Tapping Screw 8-18 x 3/8 Hex Washer Hd., Type AB.....	4
4	SC-018-32	Mach. Screw 8-32 x 3/8 Pan Hd.....	2
5	00-410839-00004	Thermopile - Millivolt (500 MV).....	2
6	00-412212-00007	Pilot (Nat. Gas).....	1
7	00-412212-00002	Pilot (L.P. Gas).....	1
8	00-426505-00023	Tube - Flex 1/4 O.D. x 23 In. Lg.....	1
9	00-418208-00001	Hanger - Manifold (3 Tube) (1GR35M).....	1
10	00-418211-00001	Hanger - Manifold (4 Tube) (1GR45M).....	1
11	00-418317-00001	Hanger - Manifold (5 Tube) (1GR65/85M).....	1
12	00-418209-00001	Manifold - Burner (3 Tube) (1GR35M).....	1
13	00-418212-00001	Manifold - Burner (4 Tube) (1GR45M).....	1
14	00-418318-00001	Manifold - Burner (5 Tube) (1GR65/85M).....	1
15	NS-046-52	Nut Assy. 1/4-20 Hex.....	6
16	SD-037-70	Self-Tapping Screw 1/4-20 x 1/2 Hex Washer Hd., Type TT.....	2
17	00-497089-00001	Bracket - Control.....	1
18	00-408659-00005	Knob - Thermostat.....	1
19	00-411506-00013	Thermostat - Reed.....	1
20	NS-047-72	Lock Nut 1/4-20.....	2
21	00-420561-00001	Bracket - Support (1GR35/45M).....	1
22	00-420562-00001	Bracket - Support (1GR65/85M).....	1
23	FP-085-53	Pipe Plug 1/8.....	1
24	00-010901-00039	Orifice - Spud (39 Drill).....	AR
25	00-010901-00052	Orifice - Spud (LP Gas) (Sea Level - 3499 Ft.).....	AR
26	00-410695-00001	Extension - Orifice.....	AR
27	SD-015-24	Self-Tapping Screw 1/4-20 x 1/2 Hex Washer Hd., Type TT.....	AR
28	NS-044-14	Nut 1/4-20 Hex KEPS.....	AR
29	SD-037-70	Self-Tapping Screw 1/4-20 x 1/2 Hex Washer Hd., Type TT.....	4
30	NS-046-52	Nut Assy. 1/4-20 Hex.....	4
31	SD-036-80	Self-Tapping Screw 8-32 x 3/8 Hex Washer Hd., Type TT.....	2
32	00-410840-00002	Box - Control With Stuffing - Hi-Limit.....	1
33	00-417714-00001	Extension - Hanger.....	1
34	00-410681-00001	Burner.....	AR
35	00-428035-00001	Bolt - Shoulder.....	AR



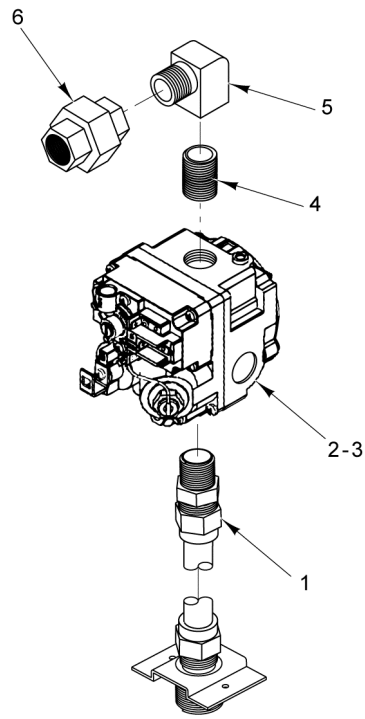
PL-57972

**GAS VALVE  
(1GRC & 1GRD SERIES)  
(PREVIOUS CONSTRUCTION)**

**GAS VALVE  
(1GRC & 1GRD SERIES)  
(PREVIOUS CONSTRUCTION)**

ILLUS.	PART NO.	NAME OF PART	AMT.
PL-57972A			
1	00-427882-000G2	Gas Inlet (1GR45C & 1GR45D).....	1
2	00-427882-000G3	Gas Inlet (1GR65/85C & 1GR65/85D).....	1
3	00-428472-00001	Valve - Ball.....	1
4	FP-035-91	Pipe 1/2 x 1-1/8 TBE.....	1
5	FP-086-74	Elbow - Street 1/2 x 90 Deg. (Brass).....	1
*6	00-410841-00028	Valve - Combination (NAT) (Electronic Ignition).....	1
*7	00-410841-00029	Valve - Combination (LP) (Electronic Ignition).....	1
8	FP-086-74	Elbow - Street 1/2 x 90 Deg. (Brass).....	1
9	FP-035-91	Pipe 1/2 x 1-1/8 TBE.....	1
10	FP-022-11	Union - Pipe.....	1
11	FP-035-94	Pipe 1/2 x 1-1/2 TBE.....	1
12	FP-086-74	Elbow - Street 1/2 x 90 Deg. (Brass).....	1
	00-427751-000G1	Harness - Section.....	1

\* Order harness 00-427751-000G1 when replacing valve.

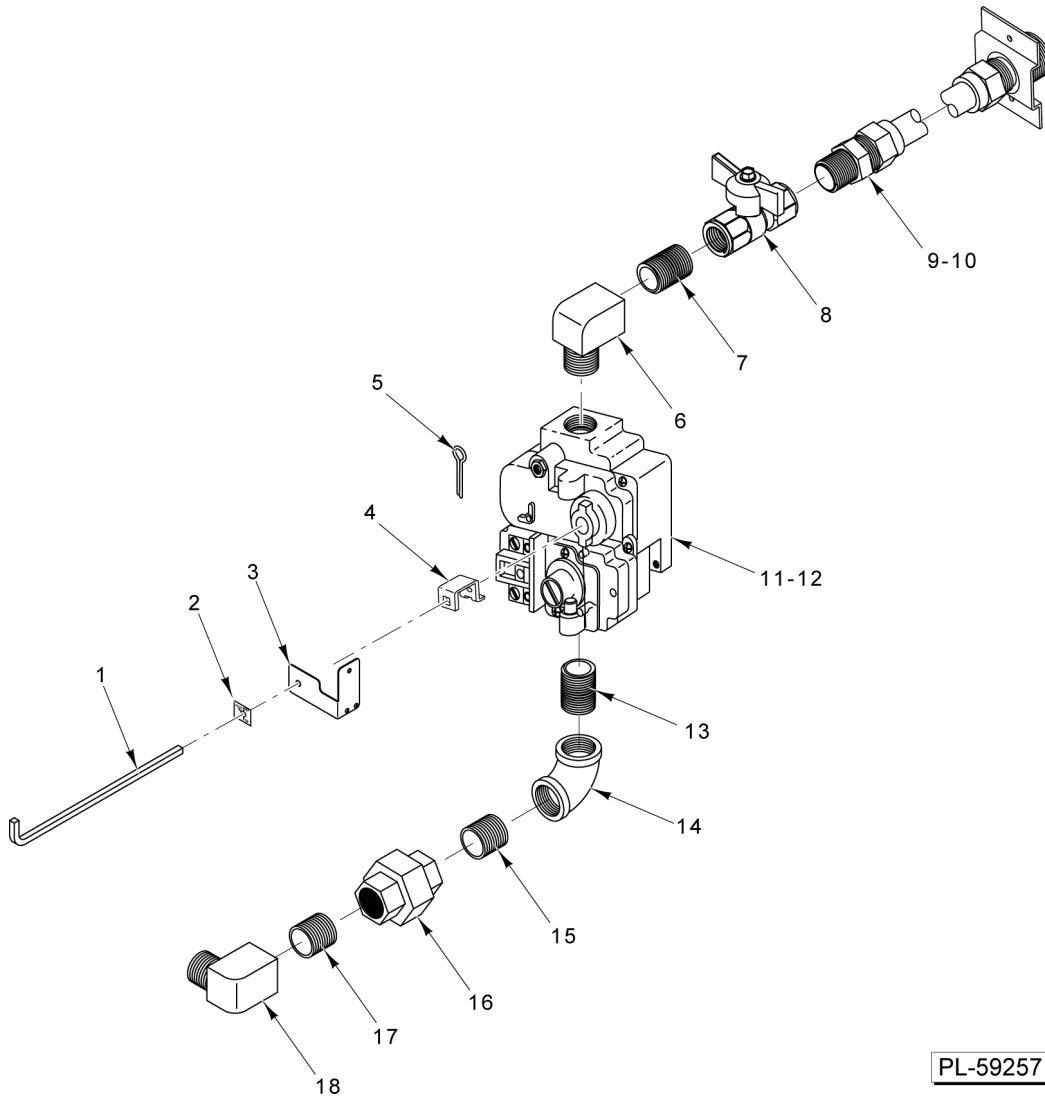


PL-59258

**GAS VALVE  
(1GRC & 1GRD SERIES)  
(CURRENT CONSTRUCTION)**

**GAS VALVE  
(1GRC & 1GRD SERIES)  
(CURRENT CONSTRUCTION)**

ILLUS. PL-59258	PART NO.	NAME OF PART	AMT.
1	00-427882-000G3	Tube - Flex (Gas Inlet).....	1
2	00-410841-00028	Valve - Combination (NAT) (Electronic Ignition).....	1
3	00-410841-00029	Valve - Combination (LP) (Electronic Ignition).....	1
4	FP-013-17	Elbow - Street 1/2 x 90 Deg.....	1
5	FP-035-95	Pipe 1/2 x 2 TBE.....	1
6	FP-022-11	Union - Pipe.....	1

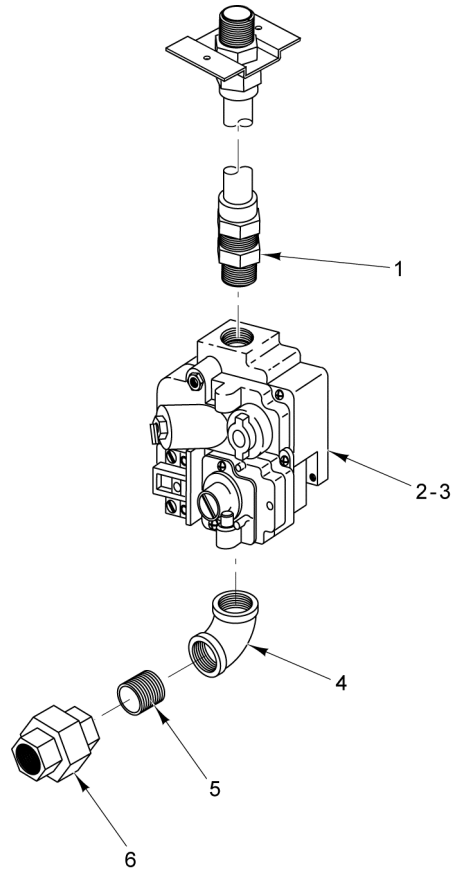


PL-59257

**GAS VALVE  
(1GRM SERIES)  
(PREVIOUS CONSTRUCTION)**

**GAS VALVE  
(1GRM SERIES)  
(PREVIOUS CONSTRUCTION)**

ILLUS. PL-59257	PART NO.	NAME OF PART	AMT.
1	00-413433-00006	Lever - Valve.....	1
2	00-417896-00001	Plate - Control Valve.....	1
3	00-428755-00002	Bracket - Pilot Lever.....	1
4	00-412080-00001	Adapter - Knob (Use Existing Screw Provided With Knob).....	1
5	PC-003-38	Pin - Cotter.....	1
6	FP-086-74	Elbow - Street 1/2 x 90 Deg. (Brass).....	1
7	FP-035-91	Pipe 1/2 x 1-1/8 TBE.....	1
8	00-428472-00001	Valve - Ball.....	1
9	00-427882-000G1	Gas Inlet (1GR35M, 1GR45M, 1GR65M).....	1
10	00-427882-000G2	Gas Inlet (1GR85M).....	1
11	00-410841-00022	Valve - Combination (NAT) (Manual Ignition).....	1
12	00-410841-00023	Valve - Combination (LP) (Manual Ignition).....	1
13	FP-035-95	Pipe 1/2 x 2 TBE.....	1
14	FP-077-68	Elbow 1/2 x 90 Deg.....	1
15	FP-035-94	Pipe 1/2 x 1-1/2 TBE.....	1
16	FP-022-11	Union - Pipe.....	1
17	FP-035-91	Pipe 1/2 x 1-1/8 TBE.....	1
18	FP-086-74	Elbow - Street 1/2 x 90 Deg. (Brass).....	1

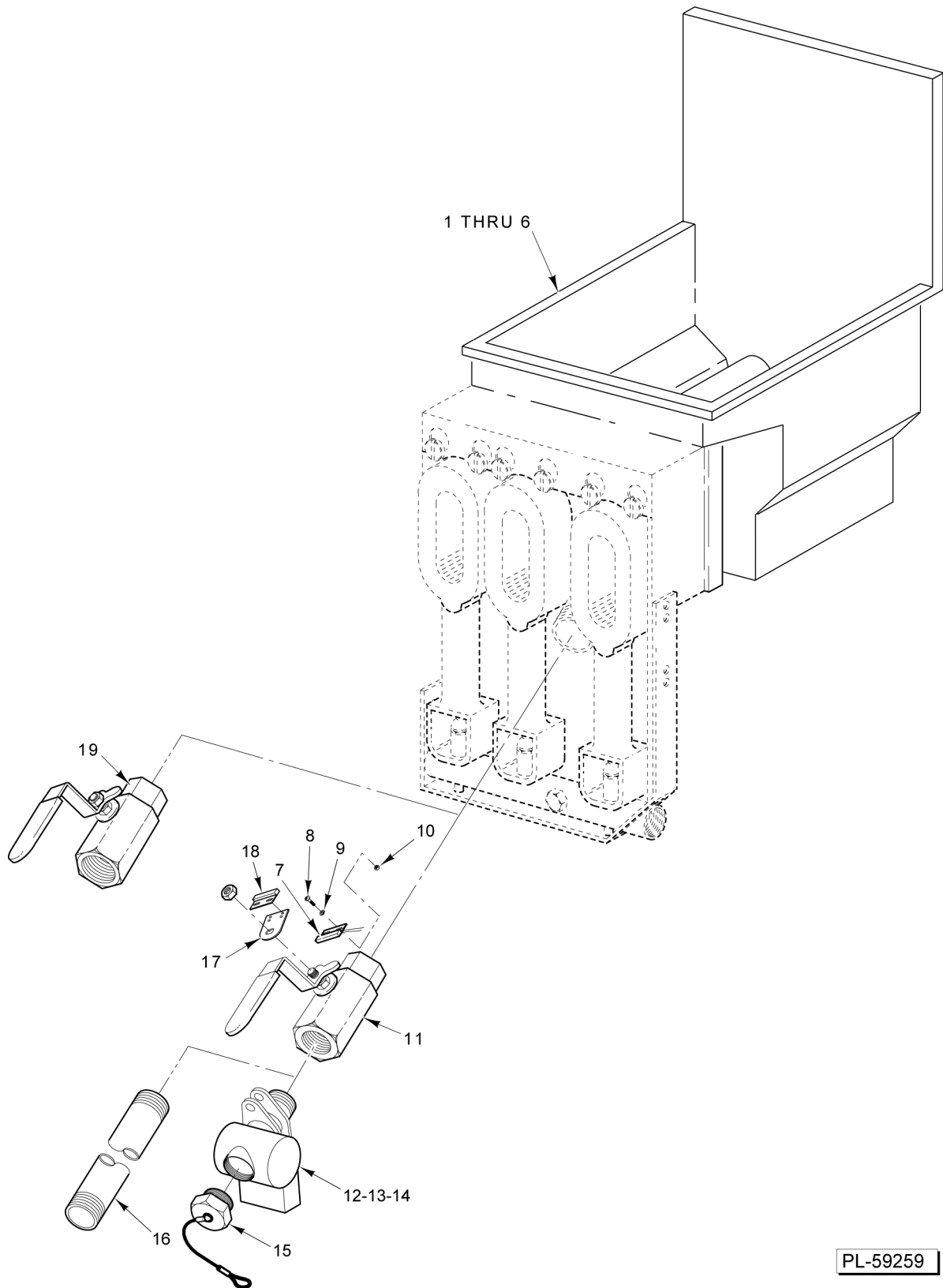


PL-59264

**GAS VALVE  
(1GRM SERIES)  
(CURRENT CONSTRUCTION)**

**GAS VALVE  
(1GRM SERIES)  
(CURRENT CONSTRUCTION)**

ILLUS. PL-59264	PART NO.	NAME OF PART	AMT.
1	00-427882-000G3	Tube - Flex (Gas Inlet).....	1
2	00-410841-00022	Valve - Combination (NAT) (Manual Ignition).....	1
3	00-410841-00023	Valve - Combination (LP) (Manual Ignition).....	1
4	FP-013-17	Elbow - Street 1/2 x 90 Deg.....	1
5	FP-035-95	Pipe 1/2 x 2 TBE.....	1
6	FP-022-11	Union - Pipe.....	1

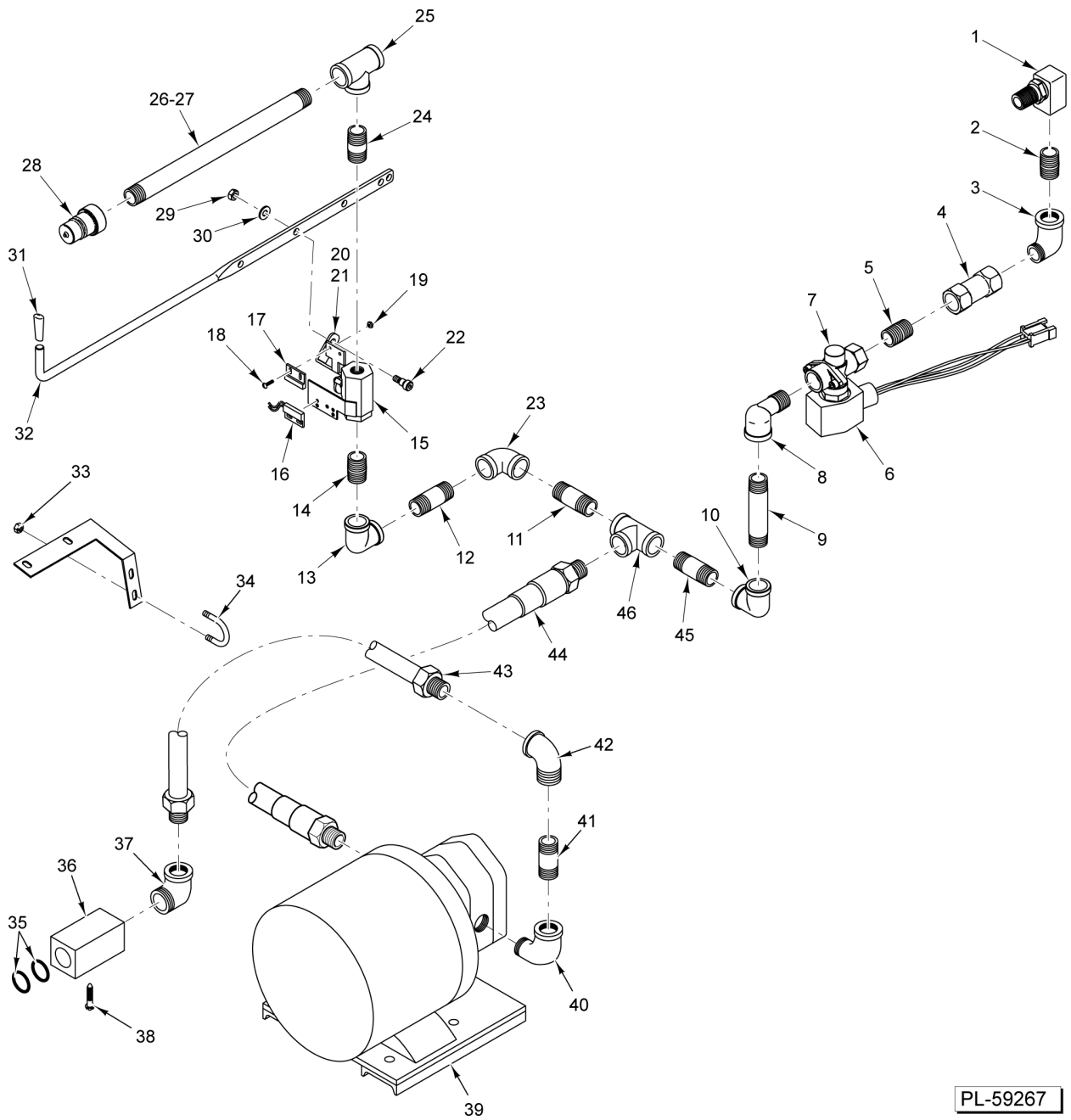


PL-59259

**TANK AND DRAIN ASSEMBLY**

### TANK AND DRAIN ASSEMBLY

ILLUS. PL-59259	PART NO.	NAME OF PART	AMT.
1	00-499700-000G2	Tank Assy. (1GR35M) (SST).....	1
2	00-499701-000G2	Tank Assy. (1GR45 Series) (SST).....	1
3	00-499702-000G2	Tank Assy. (1GR65 Series) (SST).....	1
4	00-499703-000G2	Tank Assy. (1GR85C/D & 1GR85CF/DF) (SST).....	1
5	00-956908-000G1	Tank Assy. (1GR45CF/DF).....	1
6	00-956908-000G2	Tank Assy. (1GR65CF/DF).....	1
7	00-426805-000G1	Switch Assy. (1GR45C/D & 1GR65C/D).....	1
8	SC-018-55	Mach. Screw 4-40 x 1/2 Phil. Pan Hd.....	4
9	WL-003-03	Lockwasher #4 Helical.....	4
10	NS-044-01	Nut Assy. 4-40 KEPS.....	4
11	00-426803-000G9	Valve - Drain Assy. (1-1/4) (RH) (With Magnet) (1GR45C/D & 1GR85C/D).....	1
12	00-956829-000G1	Pipe - Drain (1GR45CF/DF & 1GR85CF/DF).....	1
13	00-420726-00002	Flange - Pipe (1 1/4 In.) (1GR45CF/DF & 1GR85CF/DF).....	1
14	00-420553-00002	Gasket - Silicone (1GR45CF/DF & 1GR85CF/DF).....	1
15	00-497571-000G1	Plug - Drain (1GR45CF/DF & 1GR85CF/DF).....	1
16	FP-085-74	Pipe 1 1/4 x 63/4 (1GR35, 1GR45C/D, 1GR65C/D, & 1GR85C/D).....	1
17	00-426798-00002	Plate - Switch (1GR45C/D & 1GR65C/D).....	1
18	00-426801-00002	Magnet - Switch Element Head (1GR45C/D & 1GR65C/D).....	1
19	00-958392-000G2	Valve Assy. - Drain (RH) (1 1/4 In.) (1GR35/45/65/85M).....	1
	FP-028-14	Pipe - Plug 1/2 Sq. Hd.....	1
	00-499486-00001	Clip - Drain Pipe.....	1
	00-497572-000G2	Pipe - Boil Out Bypass (With Hose Fitting).....	1

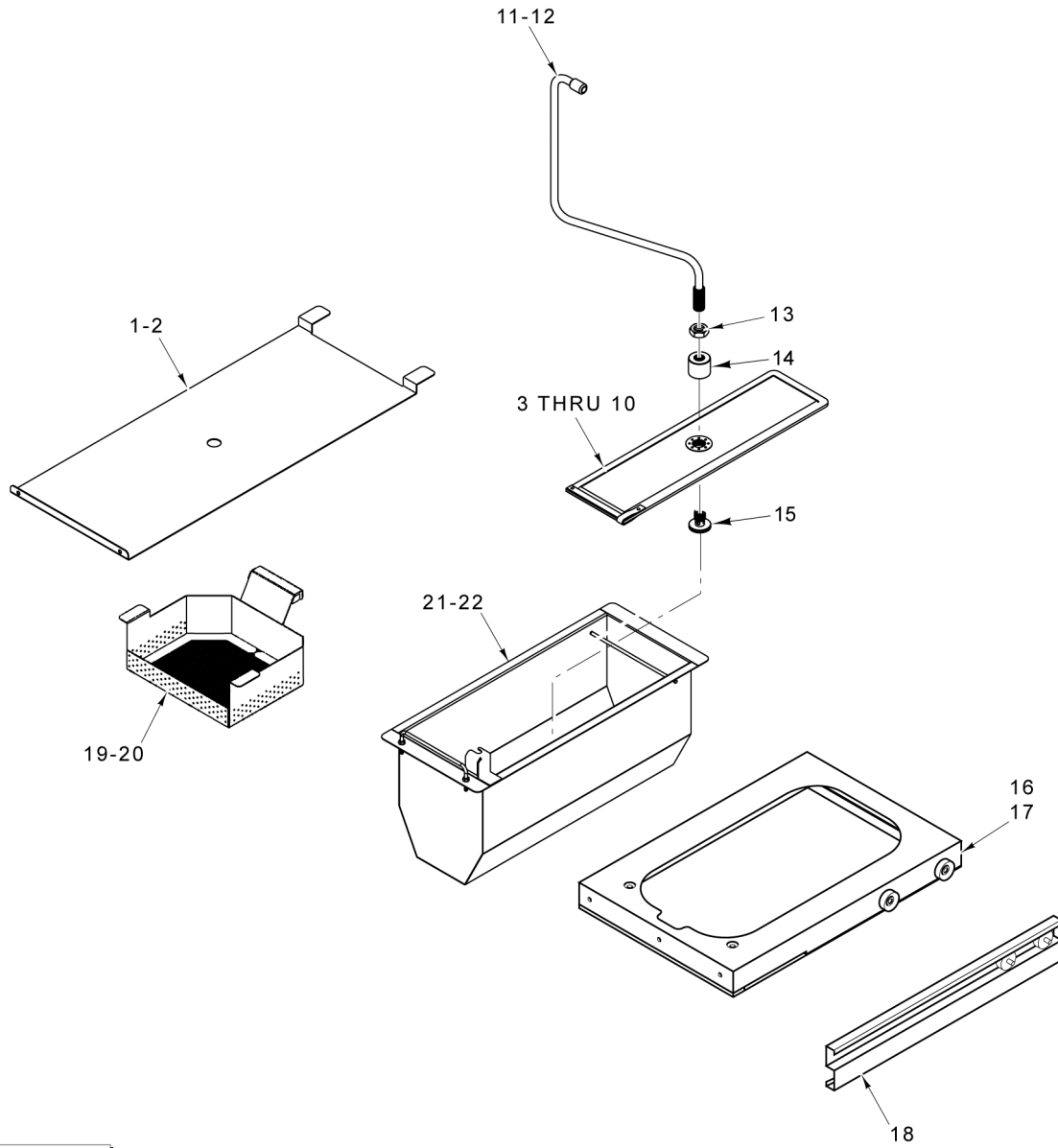


PL-59267

**OIL RETURN  
(1GR45CF/DF & 1GR85CF/DF)**

## OIL RETURN (1GR45CF/DF & 1GR85CF/DF)

ILLUS. PL-59267	PART NO.	NAME OF PART	AMT.
1	00-419251-00001	Fitting - 90 Deg. Swivel.....	1
2	FP-035-91	Pipe 1/2 x 1-1/8 TBE.....	1
3	FP-013-17	Elbow - Street 1/2 x 90 Deg.....	1
4	00-418786-00001	Valve - Check.....	1
5	FP-035-91	Pipe 1/2 x 1-1/8 TBE.....	1
6	00-428691-00002	Valve - Solenoid (120 V.).....	1
7	FP-035-91	Pipe 1/2 x 1-1/8 TBE.....	1
8	FP-013-17	Elbow - Street 1/2 x 90 Deg.....	1
9	FP-035-96	Pipe 1/2 x 2-1/2 TBE.....	1
10	FP-077-68	Elbow 1/2 x 90 Deg.....	1
11	FP-035-95	Pipe 1/2 x 2 TBE.....	1
12	FP-035-95	Pipe 1/2 x 2 TBE.....	1
13	FP-077-68	Elbow 1/2 x 90 Deg.....	1
14	FP-035-91	Pipe 1/2 x 1-1/8 TBE.....	1
15	00-428753-00001	Valve - Oil Discharge.....	1
16	00-426805-000G2	Switch - Magnetic (Wired).....	1
17	00-426801-00002	Switch - Valve Mounted.....	1
18	SC-018-55	Mach. Screw 4-40 x 1/2 Phil. Pan Hd.....	4
19	NS-044-01	Nut Assy. 4-40 KEPS.....	4
20	00-428697-00001	Actuator - Oil Discharge.....	1
21	00-428694-000G1	Valve - Discard (LH) (Incls. Items 15 thru 20).....	1
22	SC-116-19	Shoulder Screw 1/4-20 x 3/8 Hex. Socket Hd.....	1
23	FP-077-68	Elbow 1/2 x 90 Deg.....	1
24	FP-035-95	Pipe 1/2 x 2 TBE.....	1
25	FP-019-25	Tee 1/2 x 1/2 x 1/2.....	1
26	FP-036-91	Pipe 1/2 x 91/2 TBE (1GR45CF/DF).....	1
27	FP-090-81	Pipe 1/2 x 13-1/2 TBE (1GR65CF/DF & 1GR85CF/DF).....	1
28	00-418781-00001	Quick Disconnect.....	1
29	NS-046-52	Nut Assy. 1/4-20 Hex.....	1
30	WS-029-49	Washer.....	1
31	00-416435-00002	Grip (Yellow).....	1
32	00-428693-00005	Rod - Pull Kleenscreen.....	1
33	NS-046-52	Nut Assy. 1/4-20 Hex.....	2
34	00-521820	U-Bolt.....	1
35	00-426567-00002	O-Ring (Viton).....	2
36	00-426567-00003	Receptacle - Oil Suction.....	1
37	FP-013-17	Elbow - Street 1/2 x 90 Deg.....	1
38	SC-114-01	Mach. Screw 10-32 x 3/8 Hex Washer Hd.....	1
39	00-417792-00005	Pump Motor Assy. (115 V., 60 Hz.) (8 G.P.M.).....	1
40	FP-077-68	Elbow 1/2 x 90 Deg.....	1
41	FP-035-95	Pipe 1/2 x 2 TBE.....	1
42	FP-077-68	Elbow 1/2 x 90 Deg.....	1
43	00-426602-00004	Tube - Flex (19 In.) Suction.....	1
44	00-426602-00001	Tube - Flex (12 In.).....	1
45	FP-035-91	Pipe 1/2 x 1-1/8 TBE.....	1
46	FP-019-25	Tee 1/2 x 1/2 x 1/2.....	1
	00-422281-00008	Hose - Discard (4 Ft.).....	1
	00-956900-00001	Bracket - Suction Block.....	1

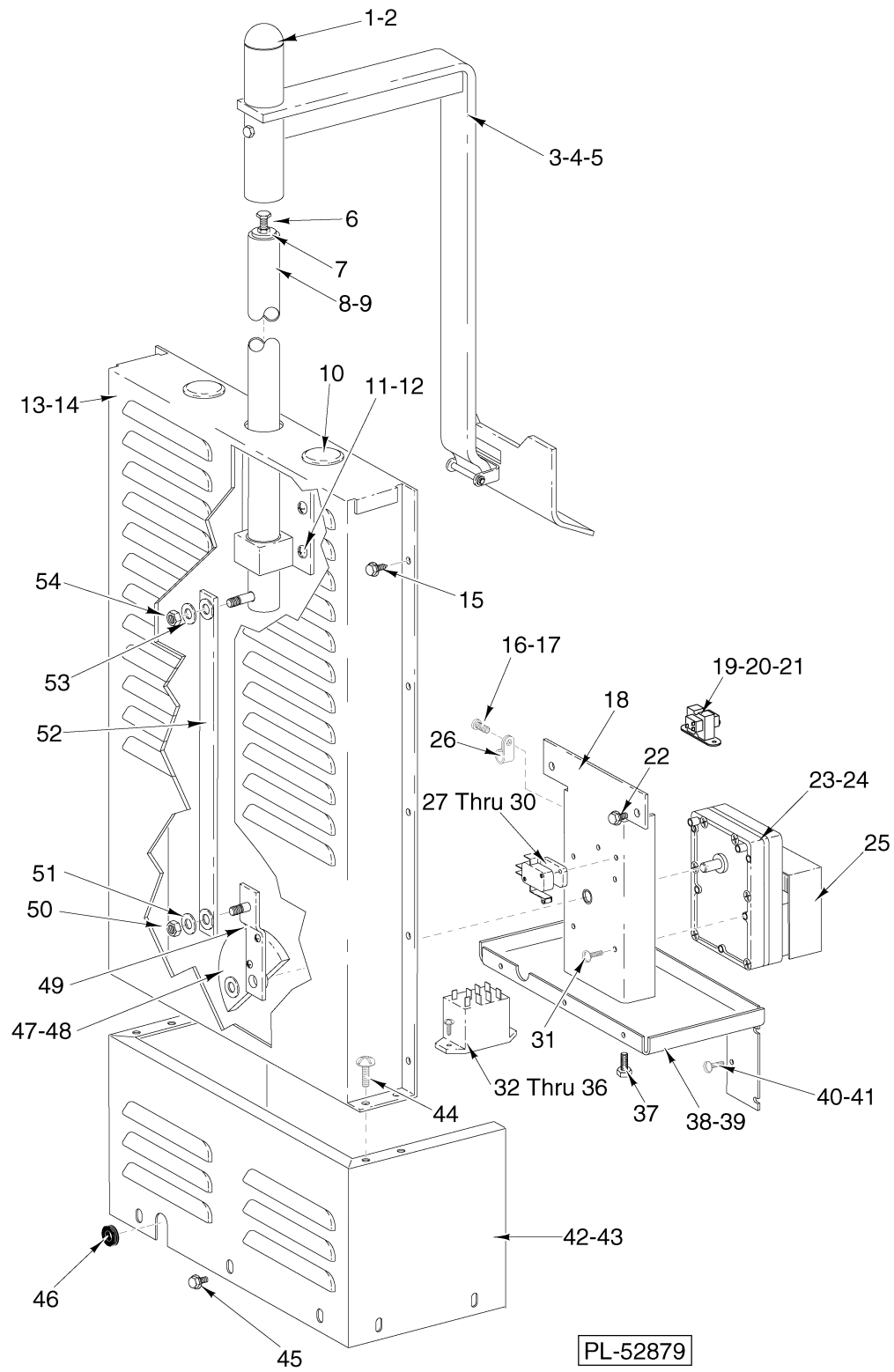


PL-59266

### FILTER ASSEMBLY

**FILTER ASSEMBLY**

ILLUS. PL-59266	PART NO.	NAME OF PART	AMT.
1	00-956904-00001	Splash Guard (1GR45CF/DF).....	1
2	00-956904-00002	Splash Guard (1GR65CF/DF & 1GR85CF/DF).....	1
3	00-499087-00002	Screen - Fine Mesh Filter (1GR45CF/DF).....	1
4	00-499087-00004	Screen - Fine Mesh Filter (1GR65CF/DF & 1GR85CF/DF).....	1
5	00-499085-00003	Insert - Filter Screen (1GR45CF/DF).....	1
6	00-499085-00006	Insert - Filter Screen (1GR65CF/DF & 1GR85CF/DF).....	1
7	00-499086-00002	Filter - Envelope (1GR45CF/DF).....	1
8	00-499086-00003	Filter - Envelope (1GR65CF/DF & 1GR85CF/DF).....	1
9	00-499089-00002	Clip - Filter (1GR45CF/DF).....	1
10	00-499089-00003	Clip - Filter (1GR65CF/DF & 1GR85CF/DF).....	1
11	00-499081-000G5	Tube - Suction (1GR45CF/DF).....	1
12	00-499081-000G7	Tube - Suction (1GR65CF/DF & 1GR85CF/DF).....	1
13	NS-017-49	Jam Nut 3/4-16 Hex.....	1
14	00-499083-00002	Coupling - Suction.....	1
15	00-499084-00002	Knob - Port Suction.....	1
16	00-428180-000G6	Drawer Assy. (1GR45CF/DF).....	1
17	00-428180-000G7	Drawer Assy. (1GR65CF/DF & 1GR85CF/DF).....	1
18	00-958026-000G2	Guide - Roller.....	1
19	00-426606-000G5	Basket - Scrap (1GR45CF/DF).....	1
20	00-426606-000G7	Basket - Scrap (1GR65CF/DF & 1GR85CF/DF).....	1
21	00-958000-000G1	Pan Assy. - Filter (1GR45CF/DF).....	1
22	00-958000-000G2	Pan Assy. - Filter (1GR65CF/DF & 1GR85CF/DF).....	1
	00-499486-00001	Clip - Drain Pipe.....	1
	00-413927-00001	Grommet - Rubber.....	1
	00-499085-00005	Insert - Envelope (1GR45CF/DF).....	1
	00-499085-00006	Insert - Envelope (1GR65CF/DF & 1GR85CF/DF).....	1



**BASKETLIFT COMPONENTS (OPTIONAL)**

**BASKETLIFT COMPONENTS (OPTIONAL)**

ILLUS. PL-52879	PART NO.	NAME OF PART	AMT.
1	423374-1	Cap - Rod End.....	1
2	SC-047-35	Set Screw 5/16-18 x 1/2 Hdls, Cup Pt.....	1
3	422495-G1	Lift Assy.....	1
4	422495-G2	Lift Assy.....	1
5	422495-G3	Lift Assy.....	1
6	418118-1	Bolt - Adjusting.....	1
7	NS-018-01	Jam Nut 14-20 Hex.....	1
8	418479-G2	Tube - Basketlift.....	1
9	423262-G1	Tube - Basketlift.....	1
10	PB-004-04	Plug Button (1-1/4).....	2
11	SD-032-07	Self-Tapping Screw 10-24 x 1/2 Hex Washer Hd., Type TT.....	6
12	422247-G1	Bearing Support Assy.....	1
13	422017-1	Wrap - Top.....	1
14	422018-1	Wrap - Top.....	1
15	SD-036-03	Self-Tapping Screw 8-18 x 3/8 Hex Washer Hd., Type AB.....	10
16	SC-109-10	Mach. Screw 6-32 x 3/8 Slotted Pan Hd. (SST).....	1
17	NS-009-07	Nut 6-32 Hex.....	1
18	418123-G1	Plate - Motor.....	1
19	411500-12	Transformer (120 V., A.C., 24 V., 20 VA).....	AR
20	411500-13	Transformer (200-240 V.A.C., 28 V., 20 VA).....	AR
21	SD-032-07	Self-Tapping Screw 10-24 x 1/2 Hex Washer Hd., Type TT.....	2
22	SD-037-80	Self-Tapping Screw 10-24 x 1/2 Hex Washer Hd., Type TT.....	6
23	418156-1	Gear Motor (115V.,60 Hz.).....	1
24	418156-2	Gear Motor (208V).....	1
25	418517-1	Shroud - Motor.....	1
26	078752-12	Clamp - Cable.....	1
27	418159-1	Block - Cam Switch.....	1
28	411496-F3	Switch - Micro.....	1
29	SC-112-90	Mach. Screw 4-40 x 1 Slotted Pan Hd.....	2
30	NS-009-12	Nut 8-32 Hex.....	2
31	SC-018-47	Mach. Screw 10-32 x 3/4 Pan Hd.....	4
32	416535-4	Relay S.P.D.T. 24 V. Coil (Elect. Ignition) (Located on rear of panel).....	1
33	416535-6	Switch - Relay.....	AR
34	416535-7	Switch - Relay (240V).....	AR
35	SC-109-10	Mach. Screw 6-32 x 3/8 Slotted Pan Hd. (SST).....	2
36	NS-009-07	Nut 6-32 Hex.....	2
37	SD-037-80	Self-Tapping Screw 10-24 x 1/2 Hex Washer Hd., Type TT.....	2
38	422730-1	Base - Motor Mounting.....	1
39	422729-1	Base - Motor Mounting.....	1
40	SC-037-80	Cap Screw 10-24 x 1/2 Hex Hd.....	2
41	SD-032-07	Self-Tapping Screw 10-24 x 1/2 Hex Washer Hd., Type TT.....	2
42	418480-1	Wrap - Bottom.....	1
43	418510-1	Wrap - Bottom.....	1
44	SD-036-03	Self-Tapping Screw 8-18 x 3/8 Hex Washer Hd., Type AB.....	14
45	SC-037-80	Cap Screw 10-24 x 1/2 Hex Hd.....	2
46	418482-1	Grommet.....	1
47	418475-G1	Crank-Arm Assy.....	1
48	SC-055-02	Set Screw 1/4-20 x 1/4 Hdls., Cup Pt.....	2
49	SD-015-41	Self-Tapping Screw 8-32 x 1/2 Phil. Pan Hd., "Tapitite".....	2
50	NS-047-73	Lock Nut 5/16-18 Hex.....	1
51	WS-004-33	Washer.....	1
52	418477-G2	Coupler Assy.....	1
53	WS-004-33	Washer.....	1
54	NS-047-73	Lock Nut 5/16-18 Hex.....	1

