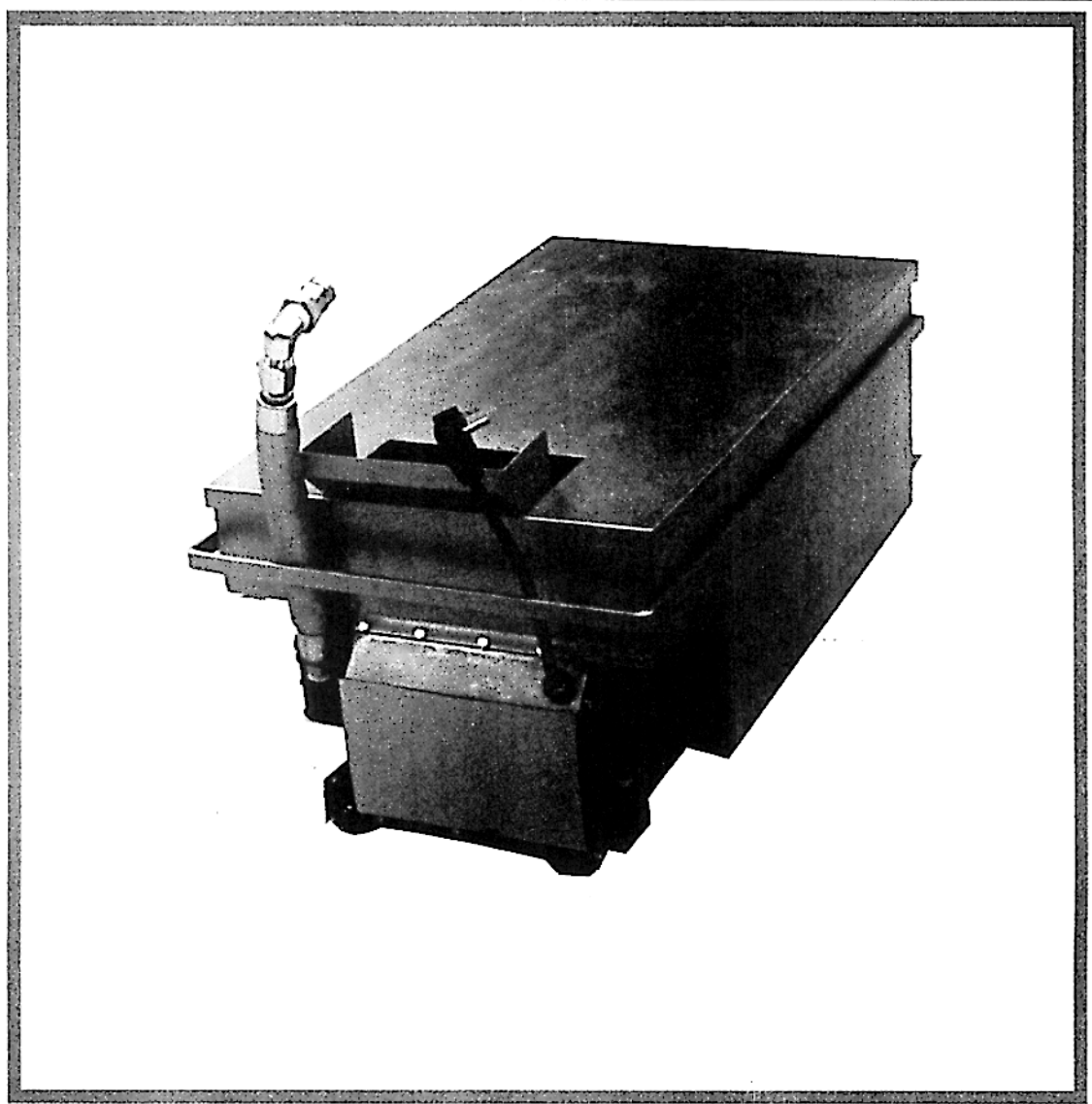
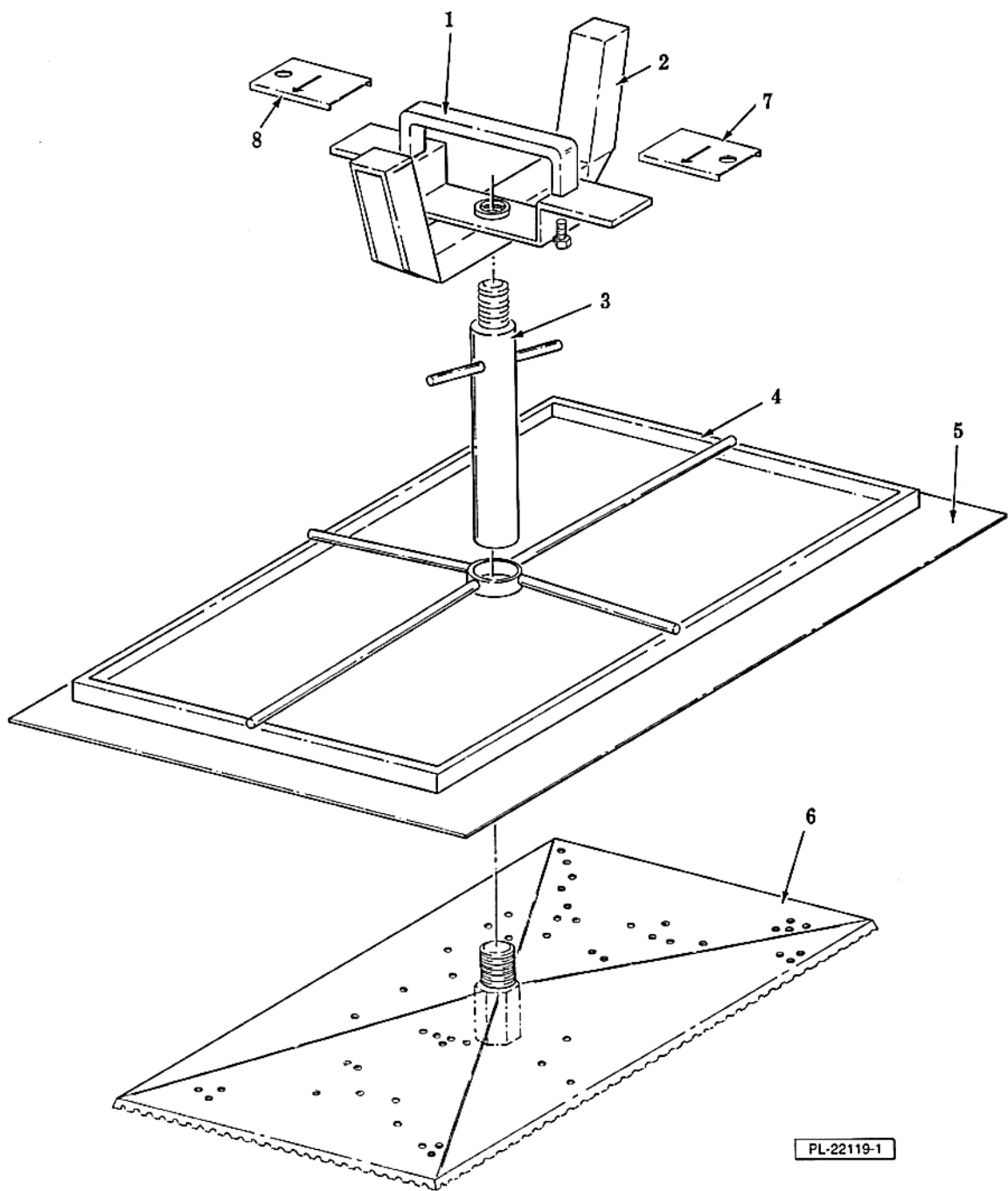


VULCAN

**PARTS MANUAL FOR
MOBILE FILTER
MODEL MF85**



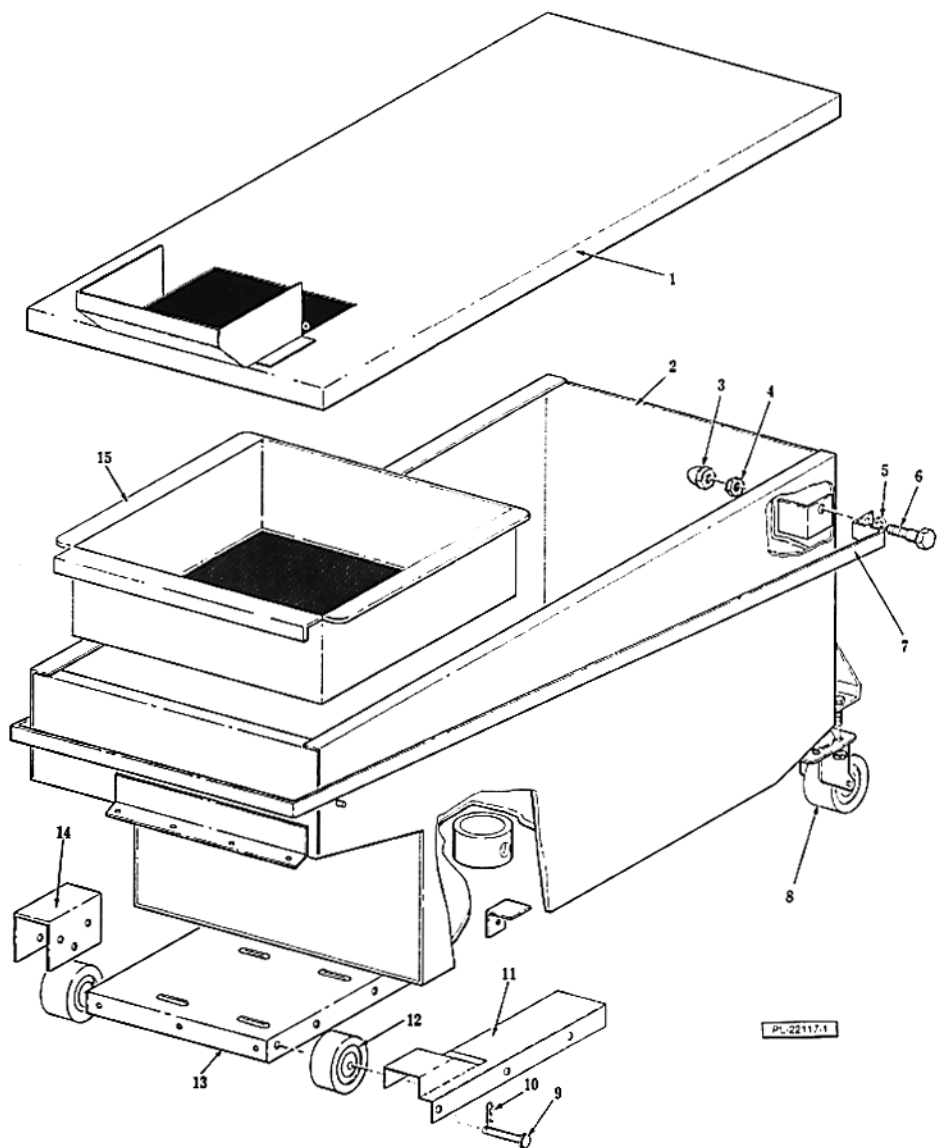
THIS
PAGE
INTENTIONALLY
LEFT
BLANK



PL-22119-1

FILTER ASSEMBLY

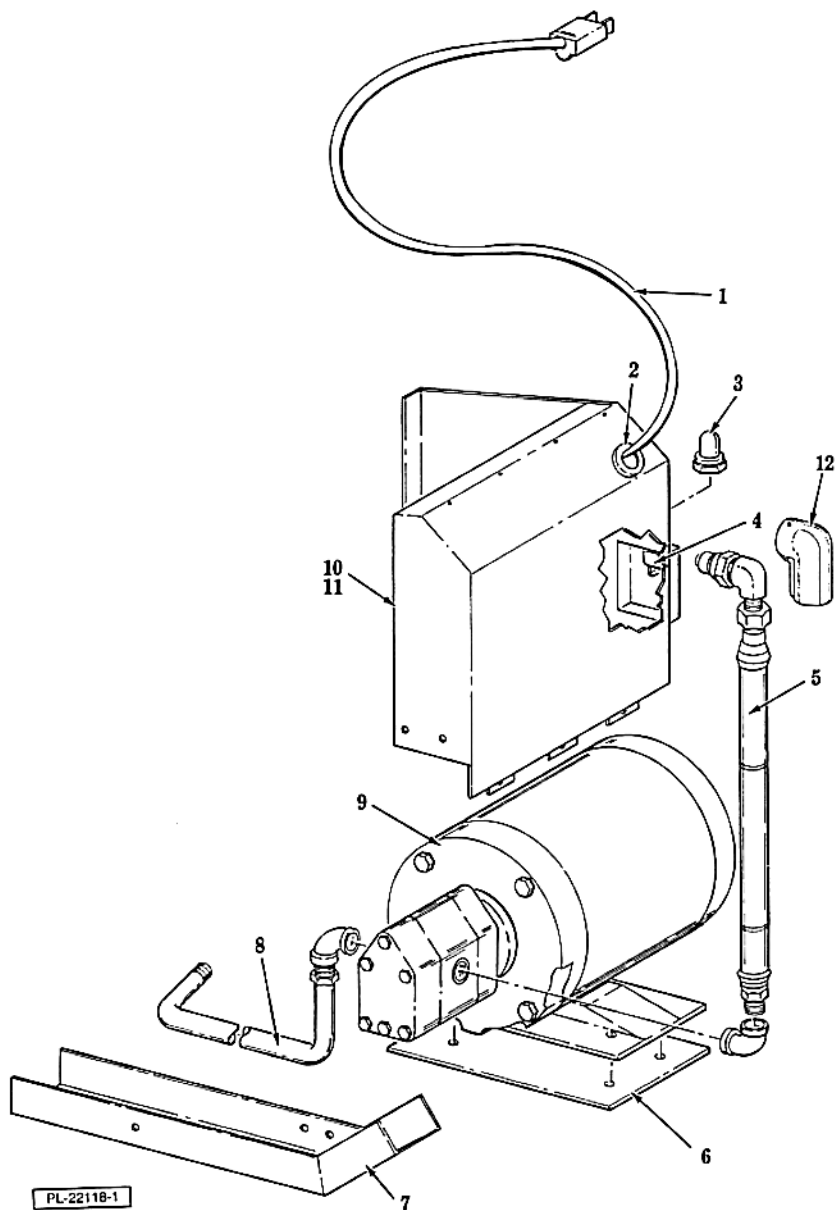
ILLUS. PL-22119-1	PART NO.	NAME OF PART	AMT.
1	721006-1	Handle	1
2	419706-G1	Pressure Bar Assy	1
3	417776-G1	Center Post	1
4	419696-1	Filter Screen Retainer	1
5	419702-1	Filter Paper (Box of 100)	1
6	419695-G1	Filter Screen Assy	1
7	417962-2	Plate - Directional (Lock)	1
8	417962-1	Plate - Directional (Remove)	1



FILTER VESSEL

FILTER VESSEL

ILLUS. PL-22117-1	PART NO.	NAME OF PART	AMT.
1	419699-G1	Lid Assy	1
2	419490-G1	Vessel Assy	1
3	NS-25-6	Castle nut 1/4-20	2
4	NS-41-4	Locknut 1/4-20 Eslok	2
5	WS-4-33	Washer	4
6	SC-116-19	Shoulder Bolt 1/4-20 x 3/4	2
7	419493-G1	Handle - Vessel Assy	1
8	415342-1	Caster - Swivel (Rear)	2
9	403971-2	Pin - Axel	2
10	417850-1	Pin - Cotter	2
11	418076-G1	Bracket (R.H.)	1
12	415342-2	Caster (Front)	2
13	417769-1	Base - Pump	1
14	417788-1	Bracket (L.H.)	1
15	418598-G1	Pan - Crumb Screen	1



MOTOR & PIPING

ILLUS. PL-22118-1	PART NO.	NAME OF PART	AMT.
1	418956-G1	Power Cord	1
2	FE-24-25	Strain Relief	1
3	417932-1	Boot - Toggle Switch	1
4	411496-A8	Switch - Toggle (Double Pole w/ Center Off) 125-250 volt	1
5	418787-G1	Hose - Return (Flex)	1
6	417920-1	Gasket - Motor	1
7	417904-1	Plate - Skid	1
8	417891-G1	Tube - Section (Heated)	1
9	417792-G1	Pump & Motor Assy	1
10	417950-G1	Cover - Motor & Switch (Order item 11 also)	1
11	414270-2	Insulator - Switch (Fish Paper)	1
12	418918-1	Cover - Oil Return	1
	417856-1	Lug - Grounding (With Set Screw)	1
	FP-86-89	Connector - Male 1/2 Tube to 1/2 Pipe (Steel)	1
	FP-86-91	Connector - Male 1/2 Tube to 1/2 Pipe (SST)	1

THIS
PAGE
INTENTIONALLY
LEFT
BLANK

THIS
PAGE
INTENTIONALLY
LEFT
BLANK