



CATALOG OF REPLACEMENT PARTS



VC4G & VC6G GAS CONVECTION OVENS

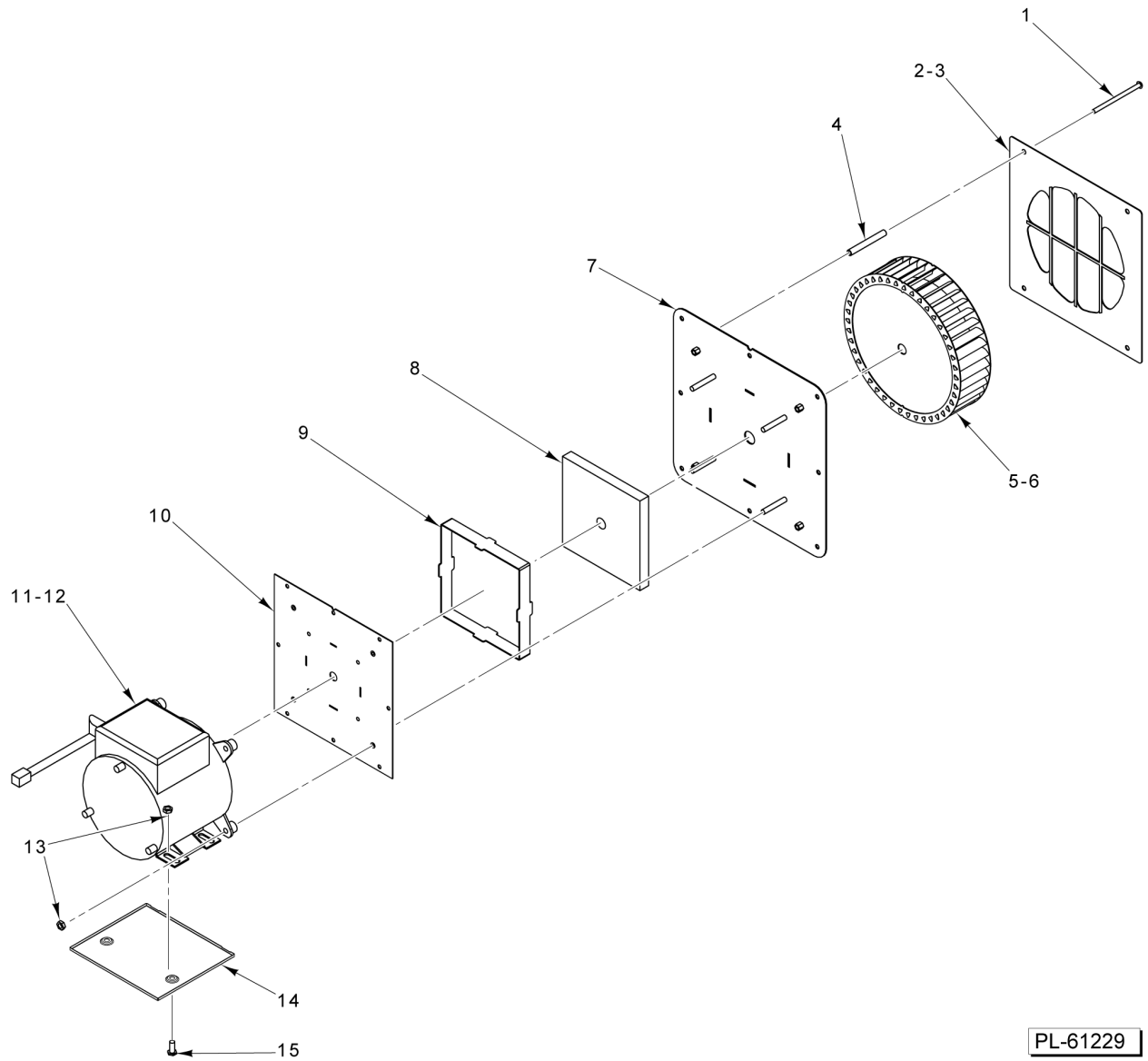
ML-126610
ML-126611
ML-126612
ML-126613
ML-136494
ML-136495

VC4GS
VC4GD
VC6GS
VC6GD
VC4GC
VC6GC

31099

Table of Contents

5	CONVECTION MOTOR (STARTING 3-19-18)
7	CONTROL PANEL (ML-126610, ML-126611, ML-126612, & ML-126613)
9	CONTROL PANEL (ML-136494 & ML-136495) (PREVIOUS)
11	CONTROL PANEL (ML-136494 & ML-136495) (CURRENT)
13	ELECTRICAL COMPONENT PANEL (WITH ROAST & HOLD)
15	ELECTRICAL COMPONENT PANEL (WITHOUT ROAST & HOLD)
17	SIMULTANEOUSLY OPENING DOORS (PREVIOUS CONSTRUCTION)
19	SIMULTANEOUSLY OPENING DOORS (CURRENT CONSTRUCTION)
21	INDEPENDENTLY OPENING DOORS (PREVIOUS CONSTRUCTION)
23	INDEPENDENTLY OPENING DOORS (CURRENT CONSTRUCTION)
25	OVEN PANELS & MOTOR (PREVIOUS CONSTRUCTION) (BEFORE 3-19-18)
27	OVEN PANELS (CURRENT CONSTRUCTION) (STARTING 3-19-18)
29	OVEN PANELS AND RACK SUPPORTS (PREVIOUS CONSTRUCTION) (BEFORE 1-22-18)
31	OVEN PANELS AND RACK SUPPORTS (CURRENT CONSTRUCTION) (STARTING 1-22-18)
33	GAS PIPING AND FLAME CHAMBER (BEFORE SERIAL NUMBER)
35	GAS PIPING AND FLAME CHAMBER (AFTER SERIAL NUMBER)



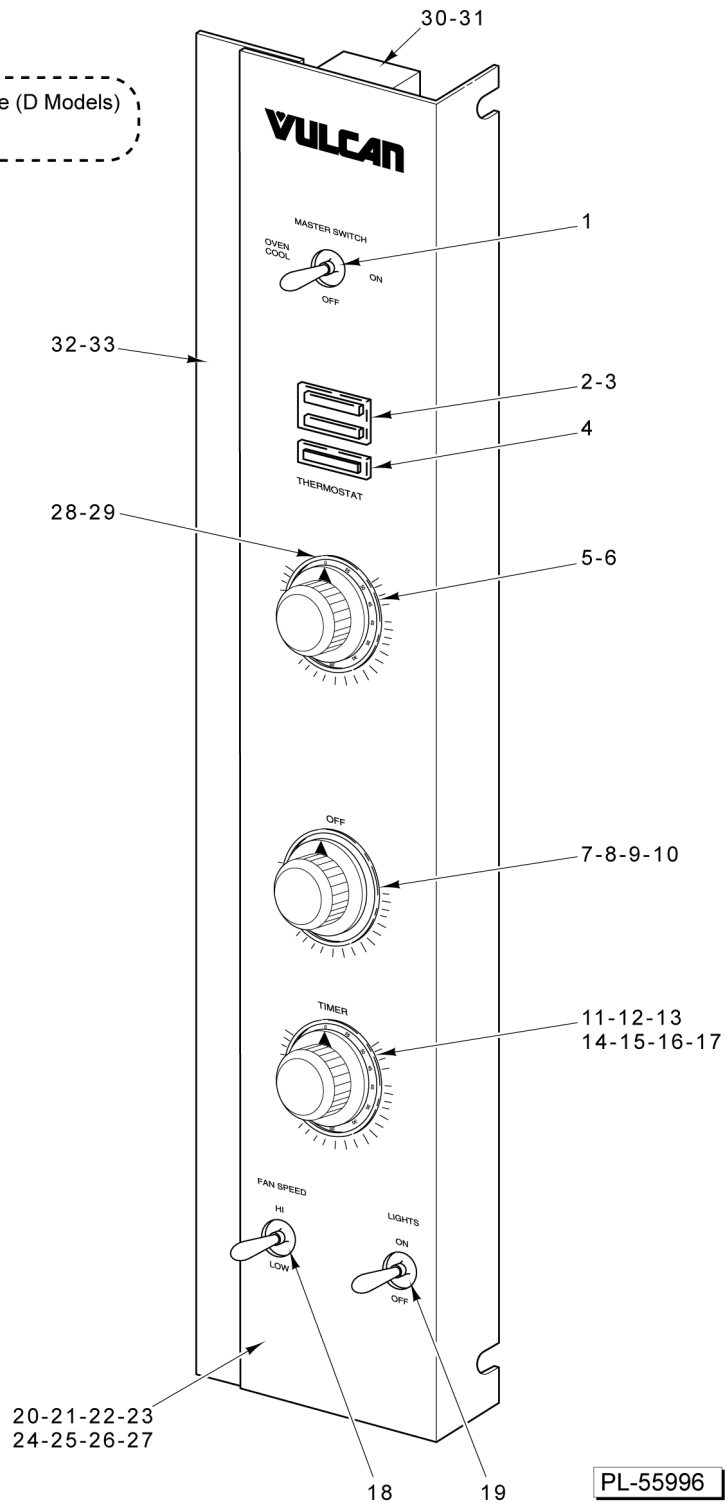
PL-61229

**CONVECTION MOTOR
(STARTING 3-19-18)**

**CONVECTION MOTOR
(STARTING 3-19-18)**

ILLUS. PL-61229	PART NO.	NAME OF PART	AMT.
1	SC-120-15	Mach. Screw 1/4-20 x 4 Rd. Hd.....	4
2	00-411136-00003	Cover - Fan (50 Hz.).....	1
3	00-411136-00004	Cover - Fan (60 Hz.).....	1
4	00-411289-00004	Spacer - Fan Housing.....	4
5	00-415780-00005	Wheel - Blower (50 Hz.).....	1
6	00-415780-00003	Wheel - Blower (60 Hz.).....	1
7	00-961671-000G1	Mount - Motor (Front).....	1
8	00-342159-00033	Insulation (28 x 33 x 1 In.).....	AR
9	00-960963-00001	Mount - Motor, Wrapper.....	1
10	00-961668-00001	Mount - Motor (Rear).....	1
11	00-961739-000G1	Motor, 120 VAC, 0.5 HP Motor Harness Included with Motor.....	1
	00-962168-000G1	Motor Harness.....	AR
12	00-961739-000G2	Motor, 208-240 VAC, 0.5 HP Motor Harness Included with Motor.....	1
	00-962168-000G1	Motor Harness.....	AR
13	NS-046-86	Nut Assy. 5/16-18 KEPS Hex.....	6
14	00-961831-00001	Pan - Drip, Motor.....	1
15	SC-037-75	Cap Screw 5/16-18 x 3/4 Hex Hd.....	2

34 00-353589-00001 Probe - Temperature (D Models)
 PART NOT ILLUSTRATED

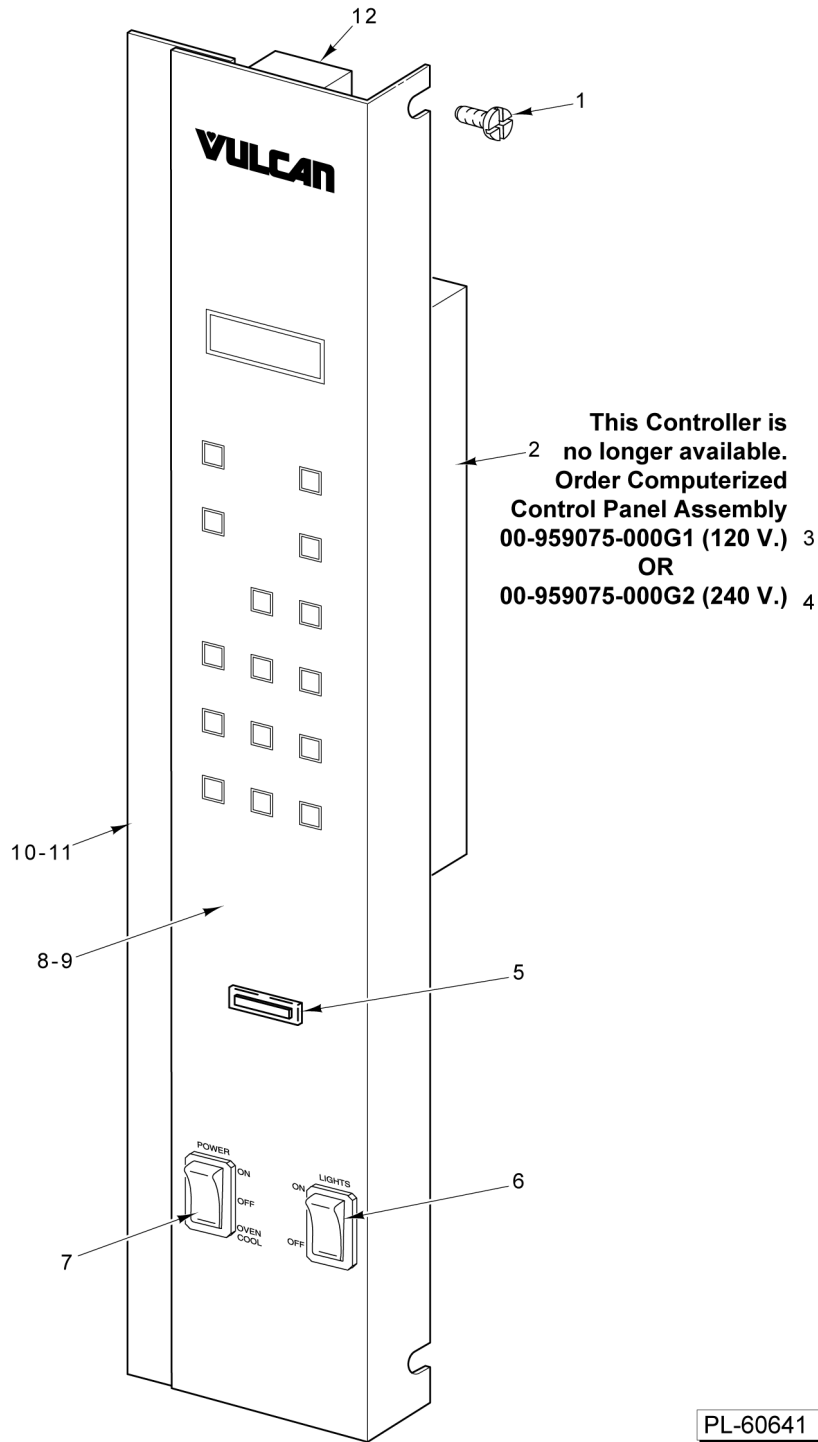


PL-55996

CONTROL PANEL
(ML-126610, ML-126611, ML-126612, & ML-126613)

CONTROL PANEL
(ML-126610, ML-126611, ML-126612, & ML-126613)

ILLUS. PL-55996	PART NO.	NAME OF PART	AMT.
1	00-340324-00008	Switch (4P.D.T.).....	1
2	00-913102-00163	Light - Indicator (Double) (120 V.).....	1
3	00-913102-00161	Light - Indicator (Double) (240 V.).....	1
4	00-354575-00004	Light - Indicator.....	1
5	00-411242-00001	Knob.....	1
6	00-913149	Kit - Temperature Control (With Harness).....	1
7	00-411242-00001	Knob.....	1
8	00-411690-00003	Timer (120 V.) (60 Hz.) (5-Hr.).....	1
9	00-411690-00004	Timer (240 V.) (60 Hz.) (5-Hr.).....	1
10	00-411690-00006	Timer (240 V.) (50 Hz.) (5-Hr.).....	1
11	00-411242-00001	Knob.....	1
12	00-411690-00001	Timer (120 V.) (60 Hz.) (1-Hr.).....	1
13	00-411690-00002	Timer (240 V.) (60 Hz.) (1-Hr.).....	1
14	00-411690-00003	Timer (120 V.) (60 Hz.) (5-Hr.).....	1
15	00-411690-00004	Timer (240 V.) (60 Hz.) (5-Hr.).....	1
16	00-411690-00005	Timer (240 V.) (50 Hz.) (1-Hr.).....	1
17	00-411690-00006	Timer (240 V.) (50 Hz.) (5-Hr.).....	1
18	00-340324-00009	Switch (D.P.D.T.) (Fan).....	1
19	00-340324-00012	Switch (S.P.S.T.) (Light).....	1
20	00-497280-00001	Overlay - Panel (1 Hr.) (D Models) (Without Roast & Hold).....	1
21	00-497284-00001	Overlay - Panel (5 Hr.) (D Models) (Without Roast & Hold).....	1
22	00-497285-00001	Overlay - Panel (1 Hr.) (D Models) (With Roast & Hold).....	1
23	00-497292-00001	Overlay - Panel (5 Hr.) (D Models) (With Roast & Hold).....	1
24	00-424201-00001	Overlay - Panel (1 Hr.) (S Models) (Without Roast & Hold).....	1
25	00-424237-00001	Overlay - Panel (5 Hr.) (S Models) (Without Roast & Hold).....	1
26	00-424211-00001	Overlay - Panel (1 Hr.) (S Models) (With Roast & Hold).....	1
27	00-424244-00001	Overlay - Panel (5 Hr.) (S Models) (With Roast & Hold).....	1
28	SC-114-82	Mach. Screw 4-40 x 5/16 Rd. Hd.....	2
29	WS-028-20	Washer (SST).....	2
30	00-411499-00003	Buzzer (230 V.).....	1
31	00-411499-00004	Buzzer (115 V.).....	1
32	00-424206-000G1	Panel - Control Weldment (Previous Construction).....	1
33	00-959489-000G1	Panel - Control Weldment (Current Construction).....	1
34	00-353589-00001	Probe - Temperature (SST) (Use with Item 6) (D Models).....	1

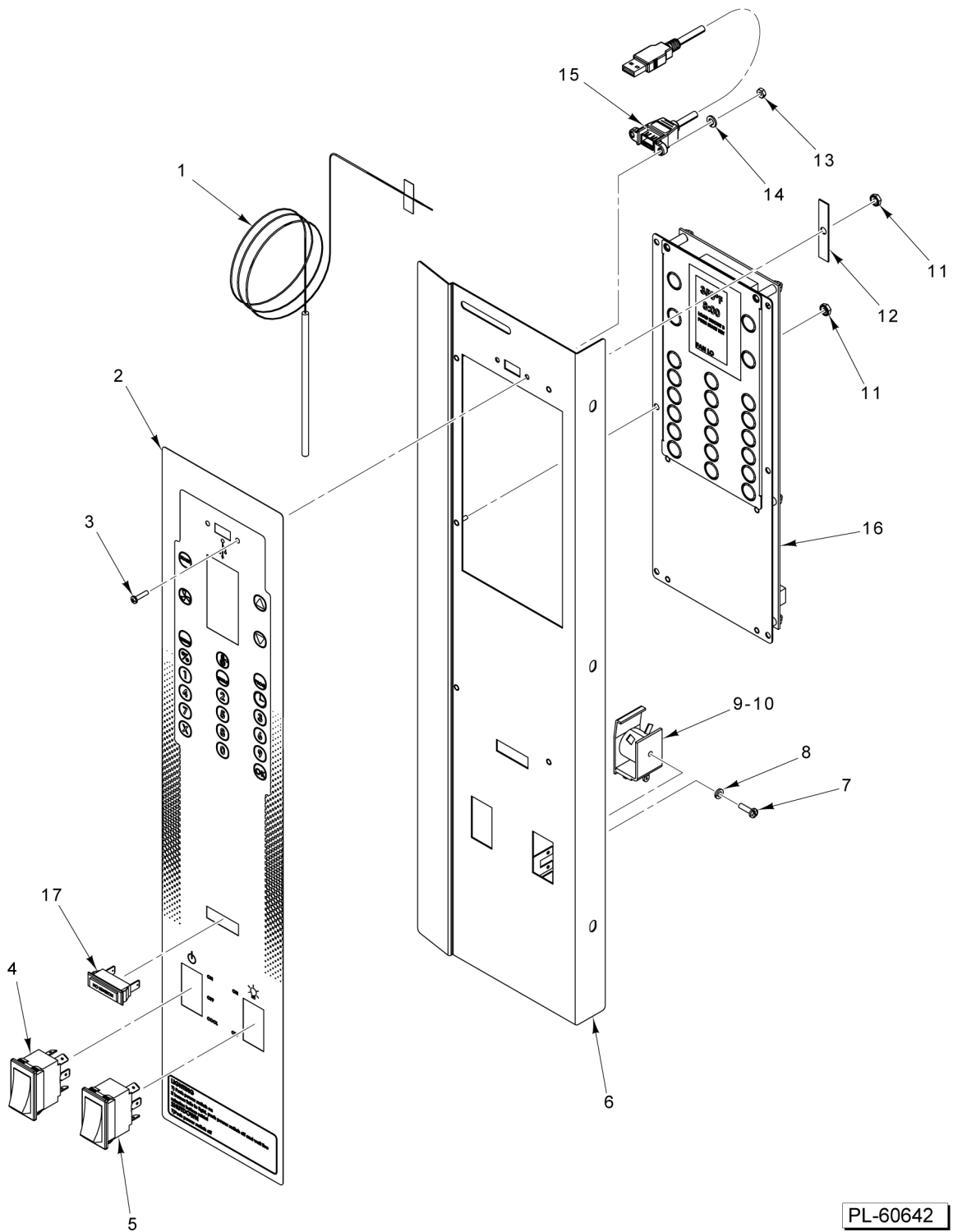


**CONTROL PANEL
(ML-136494 & ML-136495) (PREVIOUS)**

**CONTROL PANEL
(ML-136494 & ML-136495) (PREVIOUS)**

ILLUS.	PART NO.	NAME OF PART	AMT.
PL-60641			
1	SD-037-02	Self-Tapping Screw 10-16 x 1/2 Hex Washer Hd., Type AB.....	3
*2		Controller.....	1
3	00-959075-000G1	Panel - Control Assy. (120 V.) (Complete).....	1
4	00-959075-000G2	Panel - Control Assy. (240 V.) (Complete).....	1
5	00-354575-00004	Light - Indicator.....	1
6	00-358628-00002	Switch - Rocker (2-Position).....	1
7	00-358628-00001	Switch - Rocker (3-Position).....	1
8	00-497506-00001	Overlay - Control Panel (Previous Construction).....	1
9	00-497506-00001	Overlay - Control Panel (Current Construction).....	1
10	00-424842-000G1	Panel - Weldment (Previous Construction).....	1
11	00-499301-000G1	Panel - Control Assy. (Current Construction).....	1
12	00-423918-00001	Electronic Beeper.....	1

* (No Longer Available, order Item 3 or 4.)

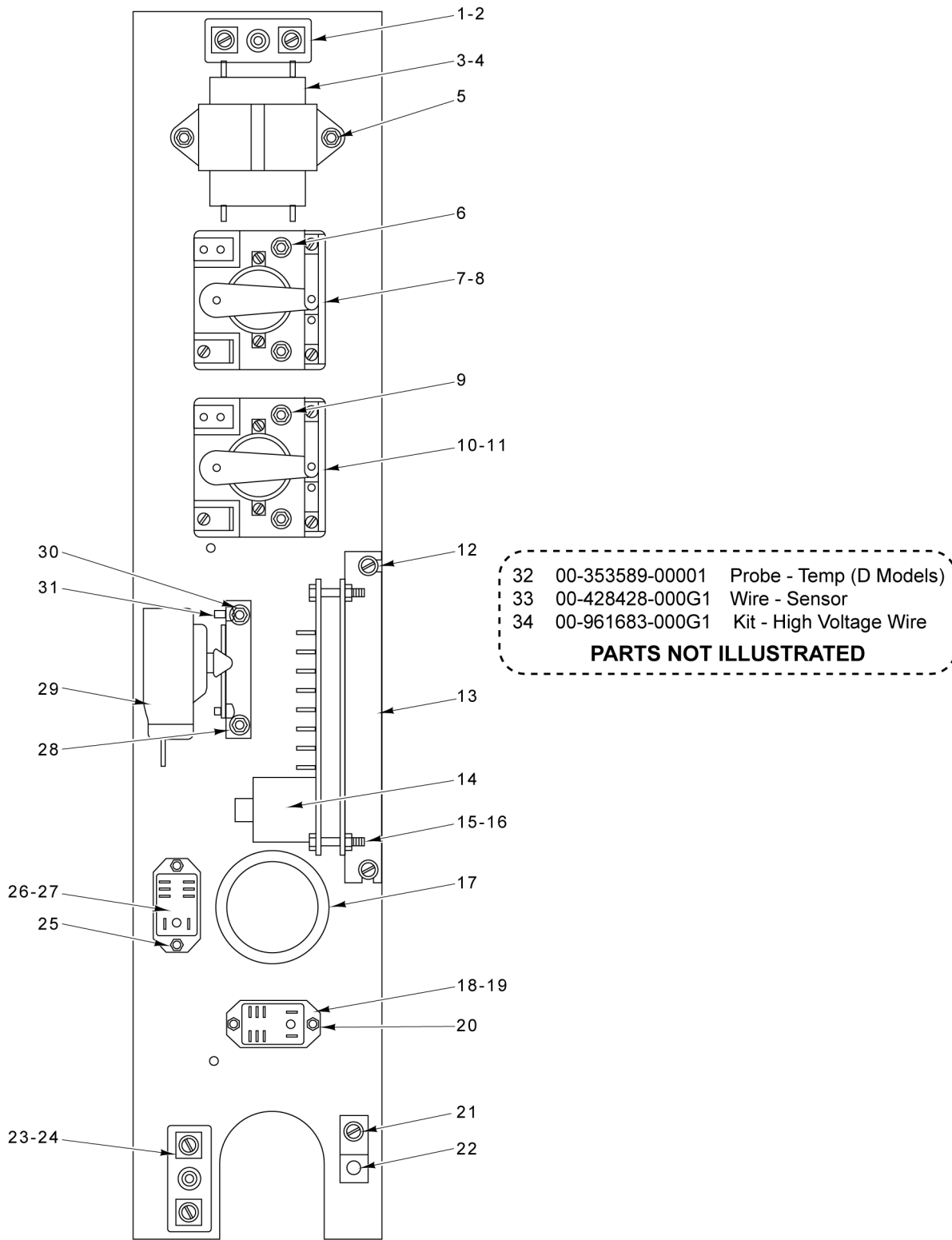


PL-60642

**CONTROL PANEL
(ML-136494 & ML-136495) (CURRENT)**

**CONTROL PANEL
(ML-136494 & ML-136495) (CURRENT)**

ILLUS. PL-60642	PART NO.	NAME OF PART	AMT.
1	00-920883-00003	Probe - Temperature (C Models).....	1
2	00-959113-00001	Overlay (Vulcan).....	1
3		Mach. Screw 4-40 x 1/2 Phil. Pan Hd.....	2
4	00-358628-00001	Switch - Rocker (3-Position).....	1
5	00-358628-00002	Switch - Rocker (2-Position).....	1
6	00-959074	Panel - Weldment.....	1
7	SC-114-83	Mach. Screw 6-32 x 1/4 Slotted Pan Hd. (SST).....	1
8	WL-003-12	Lockwasher #8 Helical.....	1
9	00-411499-00003	Buzzer (230 V.).....	1
10	00-411499-00004	Buzzer (115 V.).....	1
11	NS-046-89	Nut Assy. 6-32 Hex.....	AR
12	00-959110-00001	Plate.....	2
13		Nut 4-40 Hex.....	2
14		Lockwasher.....	2
15	00-959000-000G1	Cable Assy. (USB) (1 Ft.) (Incls. Items 3, 14, & 15).....	1
16	00-959077-00001	Controller - Cooking (NCC).....	1
17	00-354575-00004	Light - Indicator.....	1



WITH ROAST & HOLD

PL-55995

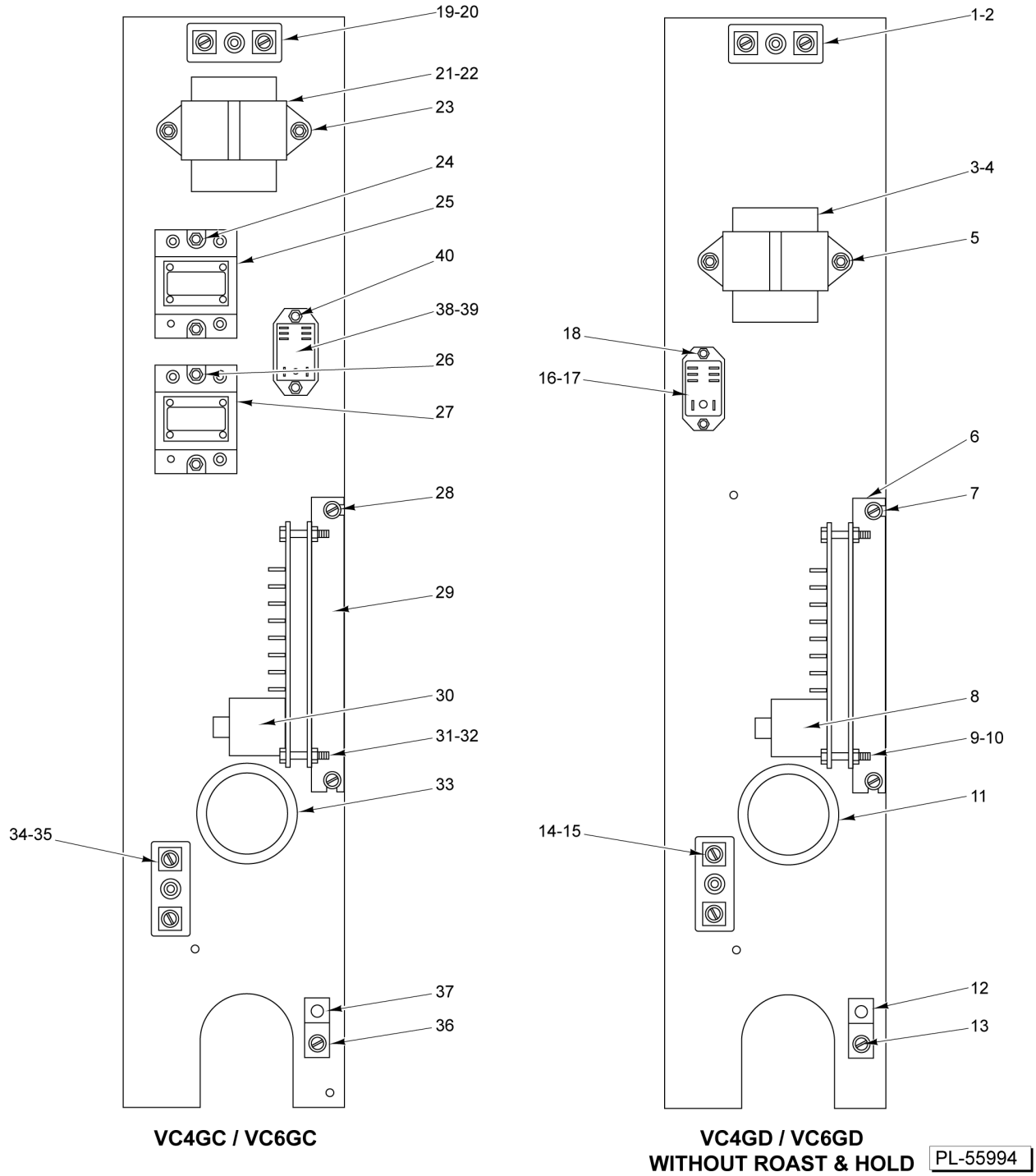
**ELECTRICAL COMPONENT PANEL
(WITH ROAST & HOLD)**

ELECTRICAL COMPONENT PANEL (WITH ROAST & HOLD)

ILLUS. PL-55995	PART NO.	NAME OF PART	AMT.
1	00-417934-000G1	Block Assy. - Porcelain.....	1
2	SD-034-52	Self-Tapping Screw 8-32 x 1 Hex Washer Hd., Type T.....	1
3	00-421758-000G1	Transformer (120 V.) (24 V. Output).....	1
4	00-421758-000G2	Transformer (208-240 V.) (24 V. Output).....	1
5	SD-032-07	Self-Tapping Screw 10-24 x 1/2 Hex Washer Hd., Type TT.....	2
6	SD-034-52	Self-Tapping Screw 8-32 x 1 Hex Washer Hd., Type T.....	2
7	00-411497-000A1	Relay (1-Pole) (120 V.).....	1
8	00-411497-000A2	Relay (1-Pole) (200 V.).....	1
9	SD-034-52	Self-Tapping Screw 8-32 x 1 Hex Washer Hd., Type T.....	2
10	00-411497-000A1	Relay (1-Pole) (120 V.).....	1
11	00-411497-000A2	Relay (1-Pole) (200 V.).....	1
12	SD-032-07	Self-Tapping Screw 10-24 x 1/2 Hex Washer Hd., Type TT.....	2
13	00-423760-00001	Bracket - Ignition Module.....	1
14	00-424137-00002	Control - Spark Ignition.....	1
15	SD-034-52	Self-Tapping Screw 8-32 x 1 Hex Washer Hd., Type T.....	2
16	NS-044-07	Nut Assy. 8-32 Hex Keps.....	2
17	FE-024-23	Bushing - Electrical (Snap).....	1
18	00-416535-00006	Relay - Heating (120 V.).....	1
19	00-416535-00007	Relay - Heating (200-240 V.).....	1
20	SD-034-49	Self-Tapping Screw 8-32 x 1/2 Hex Washer Hd., Type T.....	2
21	SD-032-07	Self-Tapping Screw 10-24 x 1/2 Hex Washer Hd., Type TT.....	1
22	00-417856-00001	Lug - Grounding (With Set Screw).....	1
23	00-417934-000G1	Block Assy. - Porcelain.....	1
24	SD-034-52	Self-Tapping Screw 8-32 x 1 Hex Washer Hd., Type T.....	1
25	SD-034-49	Self-Tapping Screw 8-32 x 1/2 Hex Washer Hd., Type T.....	2
26	00-416535-00006	Relay - Heating (120 V.).....	1
27	00-416535-00007	Relay - Heating (200-240 V.).....	1
28	00-424832-00001	Bracket - Mounting.....	1
29	00-413764-00001	Thermostat.....	1
30	SD-032-07	Self-Tapping Screw 10-24 x 1/2 Hex Washer Hd., Type TT.....	2
31	SC-114-83	Mach. Screw 6-32 x 1/4 Slotted Pan Hd. (SST).....	2
32	00-353589-00001	Probe Temperature (SST) (D Models).....	1
33	00-428428-000G1	Wire Assy. - Flame Sensor.....	1
34	00-961683-000G1	Kit - High Voltage Wire (incls. Insulator Cap & High Voltage Wire).....	1

41 00-353589-00001 Probe - Temp (D Models) 43 00-961683-000G1 Kit - High Voltage Wire
 42 00-920883-00003 Probe - Temp (C Models) 44 00-428428-000G1 Wire - Sensor

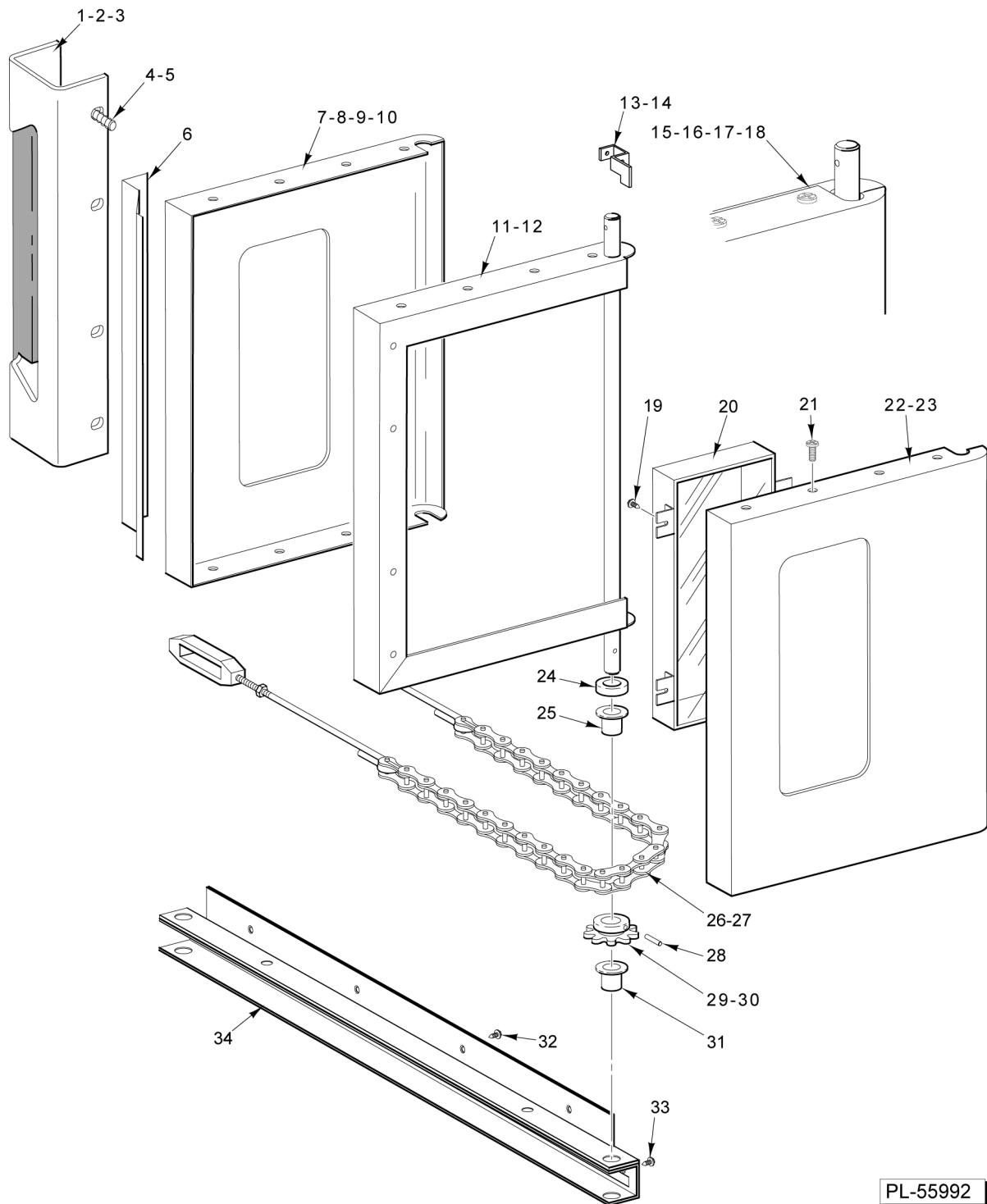
PARTS NOT ILLUSTRATED



**ELECTRICAL COMPONENT PANEL
(WITHOUT ROAST & HOLD)**

ELECTRICAL COMPONENT PANEL (WITHOUT ROAST & HOLD)

ILLUS. PL-55994	PART NO.	NAME OF PART	AMT.
1	00-417934-000G1	Block Assy. - Porcelain.....	1
2	SD-034-52	Self-Tapping Screw 8-32 x 1 Hex Washer Hd., Type T.....	1
3	00-411500-00012	Transformer (120 V.) (24 V. Output).....	1
4	00-411500-00013	Transformer (208-240 V.) (24 V. Output).....	1
5	SD-032-07	Self-Tapping Screw 10-24 x 1/2 Hex Washer Hd., Type TT.....	2
6	00-423760-00001	Bracket - Ignition Module.....	1
7	SD-032-07	Self-Tapping Screw 10-24 x 1/2 Hex Washer Hd., Type TT.....	1
8	00-424137-00002	Control - Spark Ignition.....	1
9	SD-034-52	Self-Tapping Screw 8-32 x 1 Hex Washer Hd., Type T.....	2
10	NS-044-07	Nut Assy. 8-32 Hex Keps.....	2
11	FE-024-23	Bushing - Electrical (Snap).....	1
12	00-417856-00001	Lug - Grounding (With Set Screw).....	1
13	SD-032-07	Self-Tapping Screw 10-24 x 1/2 Hex Washer Hd., Type TT.....	1
14	00-417934-000G1	Block Assy. - Porcelain.....	1
15	SD-034-52	Self-Tapping Screw 8-32 x 1 Hex Washer Hd., Type T.....	1
16	00-416535-00006	Relay - Heating (120 V.).....	1
17	00-416535-00007	Relay - Heating (200-240 V.).....	1
18	SD-034-49	Self-Tapping Screw 8-32 x 1/2 Hex Washer Hd., Type T.....	1
19	00-417934-000G1	Block Assy. - Porcelain.....	1
20	SD-034-52	Self-Tapping Screw 8-32 x 1 Hex Washer Hd., Type T.....	1
21	00-421758-000G1	Transformer (120 V.) (24 V. Output).....	1
22	00-421758-000G2	Transformer (208-240 V.) (24 V. Output).....	1
23	SD-032-07	Self-Tapping Screw 10-24 x 1/2 Hex Washer Hd., Type TT.....	2
24	SD-034-52	Self-Tapping Screw 8-32 x 1 Hex Washer Hd., Type T.....	4
25	00-821875-00002	Relay - Solid State (50 Amp.).....	2
26	SD-034-52	Self-Tapping Screw 8-32 x 1 Hex Washer Hd., Type T.....	4
27	00-821875-00002	Relay - Solid State (50 Amp.).....	2
28	SD-032-07	Self-Tapping Screw 10-24 x 1/2 Hex Washer Hd., Type TT.....	1
29	00-423760-00001	Bracket - Ignition Module.....	1
30	00-424137-00002	Control - Spark Ignition.....	1
31	SD-034-52	Self-Tapping Screw 8-32 x 1 Hex Washer Hd., Type T.....	2
32	NS-044-07	Nut Assy. 8-32 Hex Keps.....	2
33	FE-024-23	Bushing - Electrical (Snap).....	1
34	SD-034-52	Self-Tapping Screw 8-32 x 1 Hex Washer Hd., Type T.....	1
35	00-417934-000G1	Block Assy. - Porcelain.....	1
36	SD-032-07	Self-Tapping Screw 10-24 x 1/2 Hex Washer Hd., Type TT.....	1
37	00-417856-00001	Lug - Grounding (With Set Screw).....	1
38	00-416535-00006	Relay - Heating (120 V.).....	1
39	00-416535-00007	Relay - Heating (200-240 V.).....	1
40	SD-034-49	Self-Tapping Screw 8-32 x 1/2 Hex Washer Hd., Type T.....	2
41	00-353589-00001	Probe - Temperature (SST) (Use W/Solid-State Temperature Controllers) (D Models)	1
42	00-920883-00003	Probe - Temperature (Use W/Digital Temperature Controllers) (C Models).....	1
43	00-961683-000G1	Kit - High Voltage Wire (incls. Insulator Cap & High Voltage Wire).....	1
44	00-428428-000G1	Wire Assy. - Flame Sensor.....	1

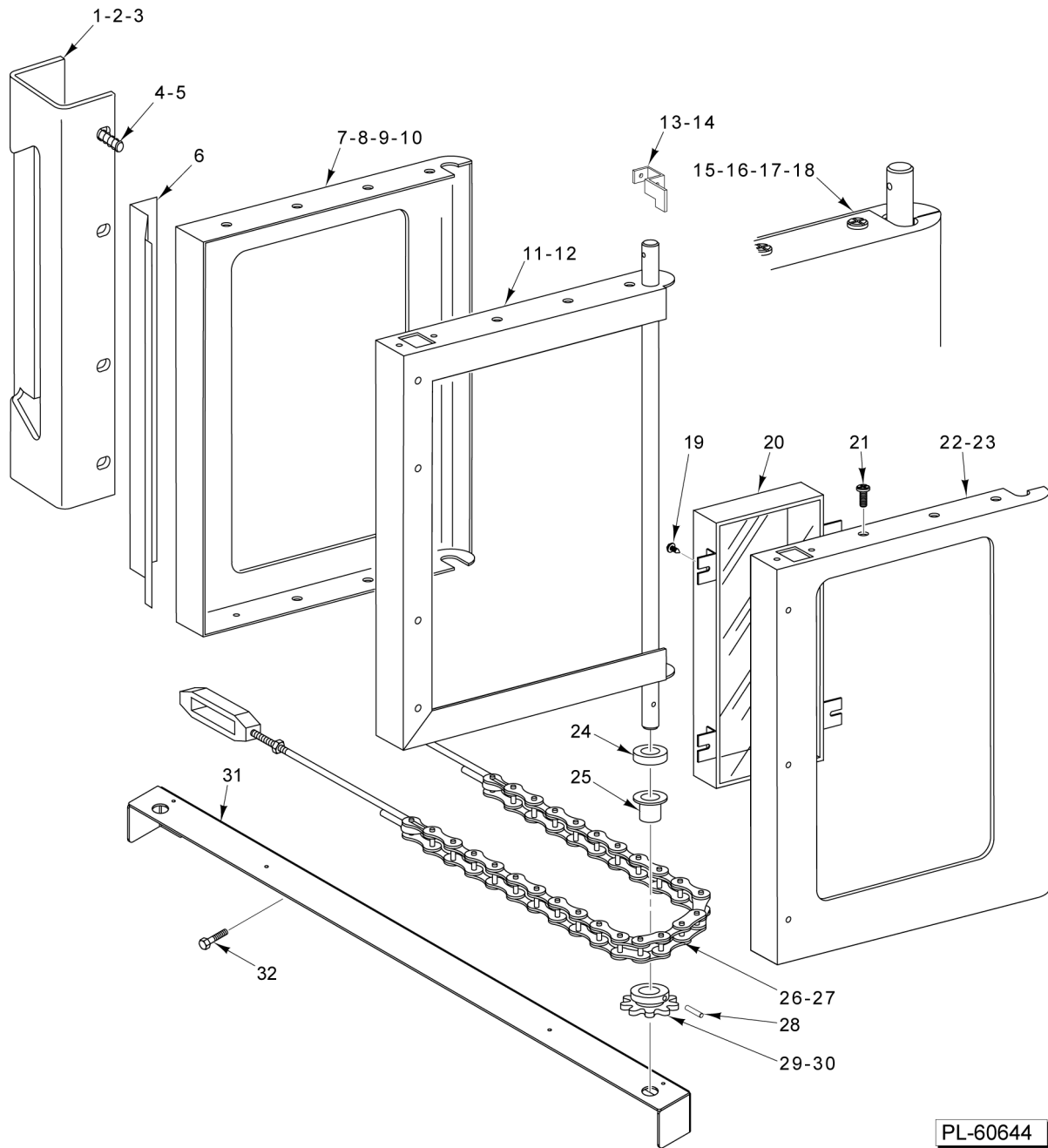


PL-55992

**SIMULTANEOUSLY OPENING DOORS
(PREVIOUS CONSTRUCTION)**

SIMULTANEOUSLY OPENING DOORS (PREVIOUS CONSTRUCTION)

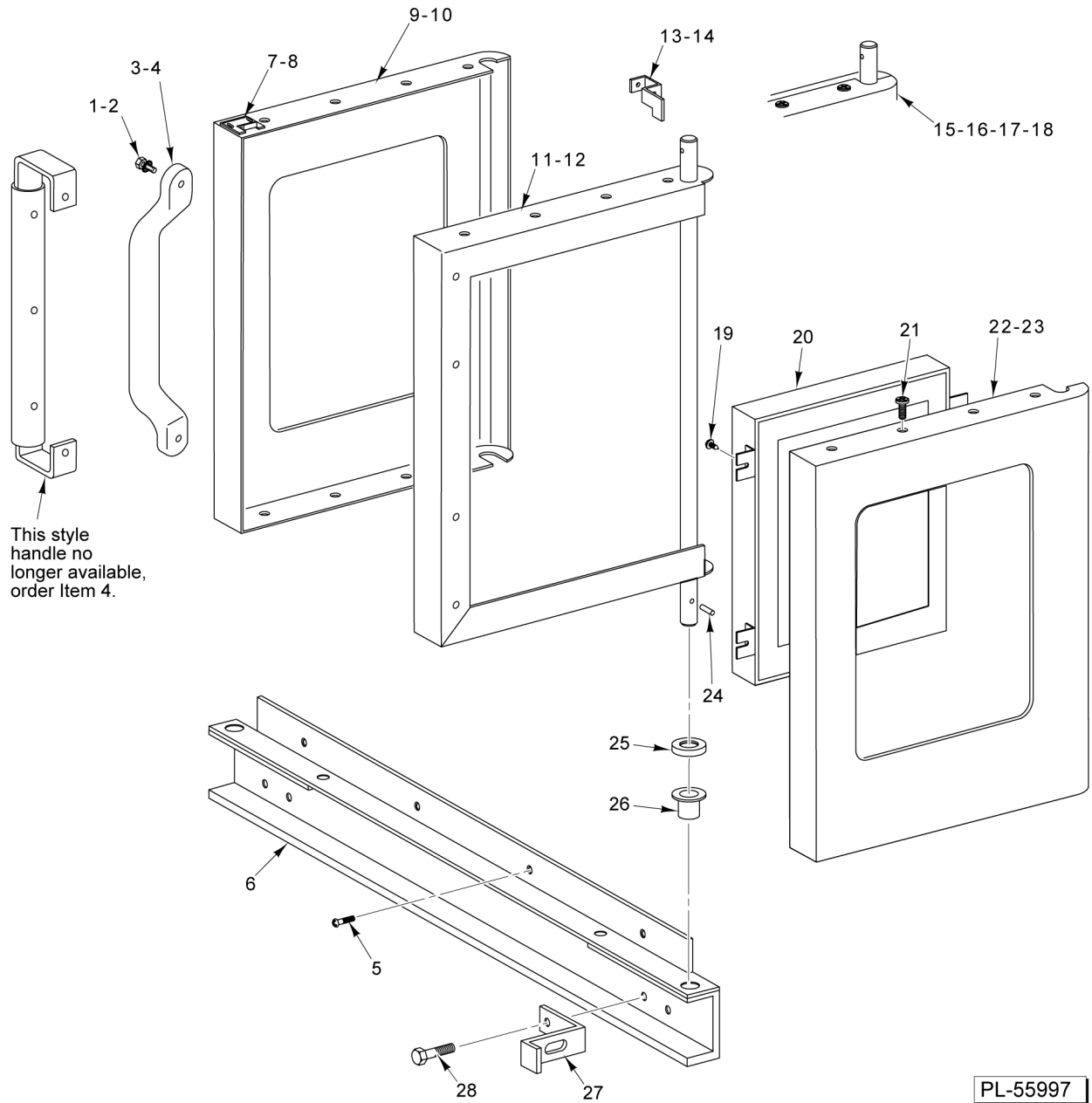
ILLUS. PL-55992	PART NO.	NAME OF PART	AMT.
1	00-356562-00001	Handle - Door.....	1
2	00-421923-000G1	Grip - Set.....	1
3	SC-113-98	Mach. Screw 10-24 x 1/2 Hex Washer Hd.....	3
4	SC-041-01	Cap Screw 1/4-20 x 3/4 Hex Hd. (SST).....	4
5	WL-019-18	Lockwasher 1/4 Light.....	4
6	00-356550-00001	Latch - Friction.....	1
7	00-421913-00002	Panel - Outer Door (RH) (W/O Window).....	1
8	00-421913-00003	Panel - Outer Door (LH) (W/Window).....	1
9	00-421913-00001	Panel - Outer Door (RH) (W/Window).....	1
10	00-421913-00004	Panel - Outer Door (LH) (W/O Window).....	1
11	00-421904-000G2	Frame Assy. - Door (LH).....	1
12	00-421905-000G1	Frame Assy. - Door (RH).....	1
13	00-424163-00001	Lever - Door Switch.....	1
14	SD-034-52	Self-Tapping Screw 8-32 x 1 Hex Washer Hd., Type T.....	1
15	00-424730-00001	Door Assy. (LH) (W/Window).....	1
16	00-424730-00002	Door Assy. (LH) (W/O Window).....	1
17	00-424731-00001	Door Assy. (RH) (W/Window).....	1
18	00-424731-00002	Door Assy. (RH) (W/O Window).....	1
19	SD-034-62	Self-Tapping Screw 10-32 x 1/2 Hex Washer Hd., Type T.....	4
20	00-358534-00001	Window Assy.....	1
21	SD-034-22	Self-Tapping Screw 10-16 x 5/8 Phil. Truss Hd., Type AB.....	9
22	00-358532-00001	Panel - Inner Door (W/Window).....	1
23	00-358533-00003	Panel - Inner Door (W/O Window).....	1
24	00-343143-00002	Washer.....	2
25	00-347080-00002	Bearing - Door Shaft.....	2
26	00-343608-00002	Door Chain & Turnbuckle Assy.....	2
27	00-352667-00001	Cable - Door Stop.....	1
28	PS-004-11	Spirol Pin 3/16 x 1-1/4 Heavy.....	2
29	00-342166-00001	Sprocket - Door Shaft.....	2
30	SC-047-28	Set Screw 1/4-28 x 3/8 Hex Hdls., Cup Pt.....	2
31	00-347080-00002	Bearing - Door Shaft.....	2
32	SC-022-40	Mach. Screw 1/4-20 x 3/4 Phil. Flat Hd. (SST).....	4
33	SC-113-90	Mach. Screw 1/4-20 x 3/4 Hex Hd.....	2
34	00-357846-00001	Channel - Door Sill Weldment.....	1



**SIMULTANEOUSLY OPENING DOORS
(CURRENT CONSTRUCTION)**

**SIMULTANEOUSLY OPENING DOORS
(CURRENT CONSTRUCTION)**

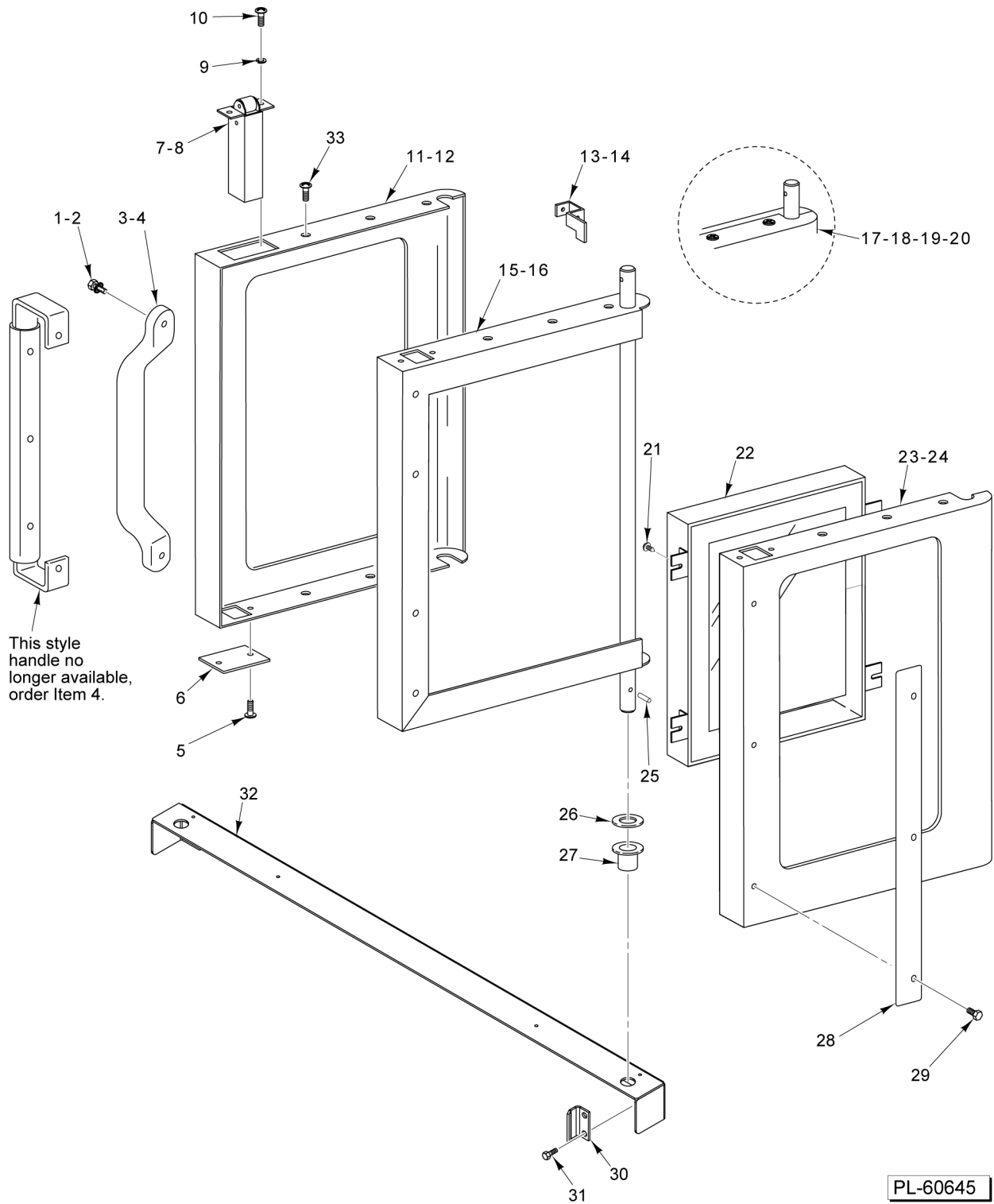
ILLUS. PL-60644	PART NO.	NAME OF PART	AMT.
1	00-356562-00001	Handle - Door.....	1
2	00-421923-000G1	Grip - Set.....	1
3	SC-113-98	Mach. Screw 10-24 x 1/2 Hex Washer Hd.....	3
4	SC-041-01	Cap Screw 1/4-20 x 3/4 Hex Hd. (SST).....	4
5	WL-019-18	Lockwasher 1/4 Light.....	4
6	00-356550-00001	Latch - Friction.....	1
7	00-421913-00002	Panel - Outer Door (RH) (W/O Window).....	1
8	00-421913-00003	Panel - Outer Door (LH) (W/Window).....	1
9	00-421913-00001	Panel - Outer Door (RH) (W/Window).....	1
10	00-421913-00004	Panel - Outer Door (LH) (W/O Window).....	1
11	00-421904-000G2	Frame Assy. - Door (LH).....	1
12	00-421905-000G1	Frame Assy. - Door (RH).....	1
13	00-424163-00001	Lever - Door Switch.....	1
14	SD-034-52	Self-Tapping Screw 8-32 x 1 Hex Washer Hd., Type T.....	1
15	00-499289-000G1	Door Assy. (LH) (W/Window).....	1
16	00-499289-000G2	Door Assy. (LH) (W/O Window).....	1
17	00-499290-000G1	Door Assy. (RH) (W/Window).....	1
18	00-499290-000G2	Door Assy. (RH) (W/O Window).....	1
19	SD-034-62	Self-Tapping Screw 10-32 x 1/2 Hex Washer Hd., Type T.....	4
20	00-358534-00001	Window Assy.....	1
21	SD-034-22	Self-Tapping Screw 10-16 x 5/8 Phil. Truss Hd., Type AB.....	9
22	00-358532-00001	Panel - Inner Door (W/Window).....	1
23	00-358533-00003	Panel - Inner Door (W/O Window).....	1
24	00-343143-00002	Washer.....	2
25	00-347080-00002	Bearing - Door Shaft.....	2
26	00-343608-00002	Door Chain & Turnbuckle Assy.....	2
27	00-352667-00001	Cable - Door Stop.....	1
28	PS-004-11	Spirol Pin 3/16 x 1-1/4 Heavy.....	2
29	00-342166-00001	Sprocket - Door Shaft.....	2
30	SC-047-28	Set Screw 1/4-28 x 3/8 Hex Hdls., Cup Pt.....	2
31	00-961294-00001	Support - Lower Door.....	1
32	00-922154	Screw 1/4-20 x 1 Hex Hd.....	4



**INDEPENDENTLY OPENING DOORS
(PREVIOUS CONSTRUCTION)**

INDEPENDENTLY OPENING DOORS (PREVIOUS CONSTRUCTION)

ILLUS. PL-55997	PART NO.	NAME OF PART	AMT.
1	00-959087-00001	Screw 1/4-20 x 1-1/4 Black Hd.....	2
2	WL-013-14	Lockwasher 1/4 Internal Shakeproof.....	2
3	00-957108-00001	Handle - Molded (Black).....	1
4	00-913102-00179	Kit - Handle.....	1
5	SC-022-40	Mach. Screw 1/4-20 x 3/4 Phil. Flat Hd. (SST).....	4
6	00-357846-00001	Channel - Door Sill Weldment.....	1
7	00-423847-00001	Strike - Door.....	1
8	SD-034-22	Self-Tapping Screw 10-16 x 5/8 Phil. Truss Hd., Type AB.....	2
9	00-358600-00001	Panel - Outer Door (RH) (W/Window).....	1
10	00-358600-00002	Panel - Outer Door (RH) (W/O Window).....	1
11	00-421905-000G1	Frame Assy. - Door (RH).....	1
12	00-421904-000G2	Frame Assy. - Door (LH).....	1
13	00-424163-00001	Lever - Door Switch.....	1
14	SD-034-52	Self-Tapping Screw 8-32 x 1 Hex Washer Hd., Type T.....	1
15	00-358529-00005	Door Assy. (LH) (W/Window).....	1
16	00-358529-00006	Door Assy. (LH) (W/O Window).....	1
17	00-358530-00003	Door Assy. (RH) (W/Window).....	1
18	00-358530-00004	Door Assy. (RH) (W/O Window).....	1
19	SD-034-62	Self-Tapping Screw 10-32 x 1/2 Hex Washer Hd., Type T.....	4
20	00-358534-00001	Window Assy.....	1
21	SD-034-22	Self-Tapping Screw 10-16 x 5/8 Phil. Truss Hd., Type AB.....	8
22	00-358532-00001	Panel - Inner Door (W/Window).....	1
23	00-358533-00003	Panel - Inner Door (W/O Window).....	1
24	PS-004-11	Spirol Pin 3/16 x 1-1/4 Heavy.....	1
25	00-343143-00002	Washer.....	2
26	00-347080-00002	Bearing - Door Shaft.....	1
27	00-424158-00001	Door Stop.....	1
28	SC-113-90	Mach. Screw 1/4-20 x 3/4 Hex Hd.....	2



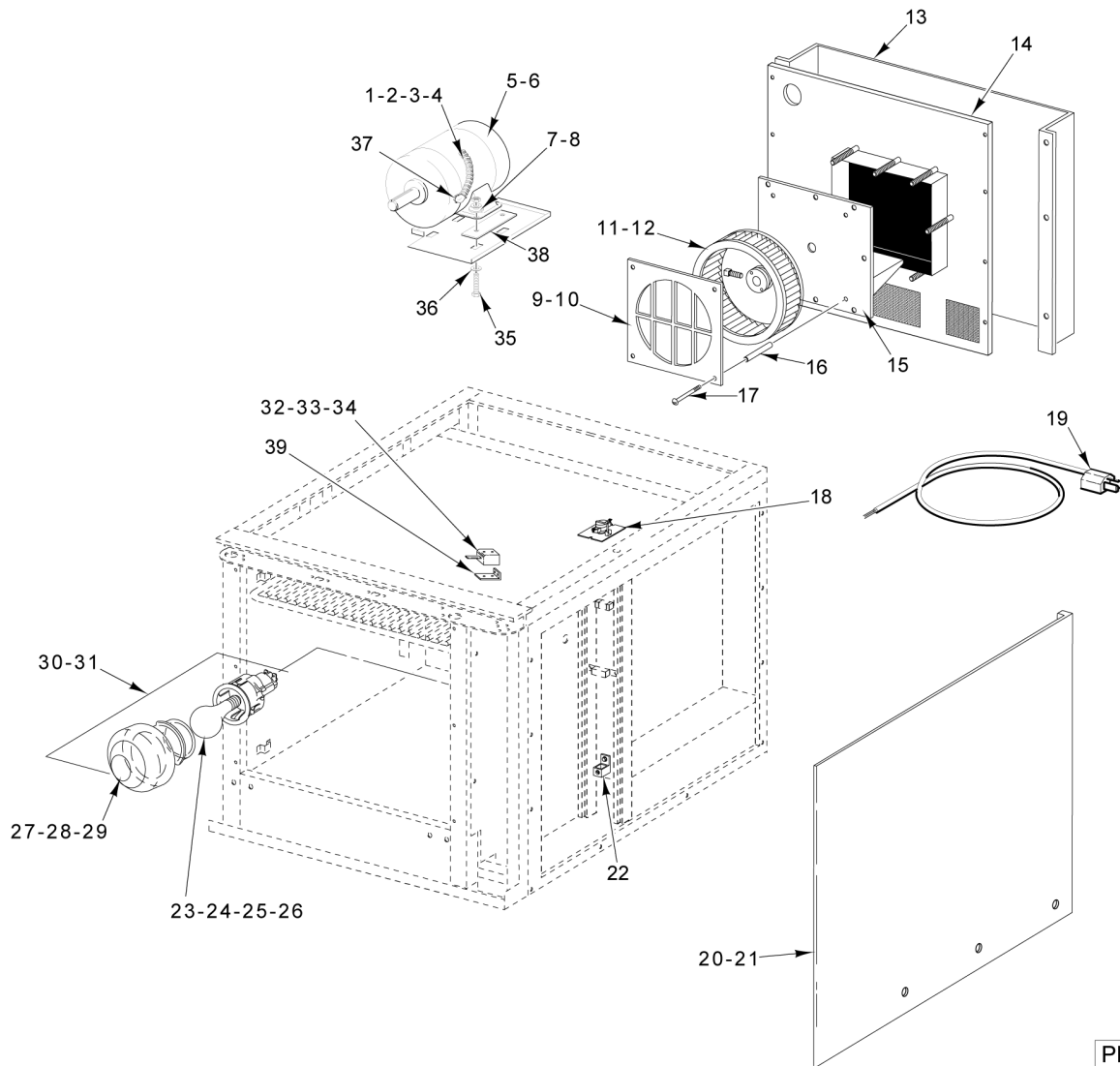
**INDEPENDENTLY OPENING DOORS
(CURRENT CONSTRUCTION)**

INDEPENDENTLY OPENING DOORS (CURRENT CONSTRUCTION)

ILLUS. PL-60645	PART NO.	NAME OF PART	AMT.
1	00-959087-00001	Screw 1/4-20 x 1-1/4 Black Hd.....	2
2	WL-013-14	Lockwasher 1/4 Internal Shakeproof.....	2
3	00-957108-00001	Handle - Molded (Black).....	1
4	00-913102-00179	Kit - Handle.....	1
5	SD-034-22	Self-Tapping Screw 10-16 x 5/8 Phil. Truss Hd., Type AB.....	2
6	00-499264-00001	Plate - Latch Cutout.....	1
7	00-497586-00001	Latch - Door Roller.....	1
8	00-347545-00001	Catch Assy. - Door (Ball Style) (Not Shown).....	1
9	WL-013-11	Lockwasher #10 Internal Shakeproof.....	2
10	SC-117-73	Mach. Screw 10-32 x 5/8 Phil. Truss Hd.....	2
11	00-358600-00001	Panel - Outer Door (RH) (W/Window).....	1
12	00-358600-00002	Panel - Outer Door (RH) (W/O Window).....	1
13	00-424163-00001	Lever - Door Switch.....	1
14	SD-034-52	Self-Tapping Screw 8-32 x 1 Hex Washer Hd., Type T.....	1
15	00-421905-000G1	Frame Assy. - Door (RH).....	1
16	00-421904-000G2	Frame Assy. - Door (LH).....	1
17	00-499285-000G1	Door Assy. (LH) (W/Window).....	1
18	00-499285-000G2	Door Assy. (LH) (W/O Window).....	1
19	00-499286-000G1	Door Assy. (RH) (W/Window).....	1
20	00-499286-000G2	Door Assy. (RH) (W/O Window).....	1
21	SD-034-62	Self-Tapping Screw 10-32 x 1/2 Hex Washer Hd., Type T.....	4
22	00-358534-00001	Window Assy.....	1
23	00-358532-00001	Panel - Inner Door (W/Window).....	1
24	00-358533-00003	Panel - Inner Door (W/O Window).....	1
25	PS-004-11	Spirol Pin 3/16 x 1-1/4 Heavy.....	1
26	00-343143-00002	Washer.....	2
27	00-347080-00002	Bearing - Door Shaft.....	1
28	00-357837-00001	Seal - Door End.....	1
29	SD-034-22	Self-Tapping Screw 10-16 x 5/8 Phil. Truss Hd., Type AB.....	3
30	00-961535-00001	Stop - Door.....	1
31	00-922154	Screw 1/4-20 x 1 Hex Hd.....	6
32	00-961294-00001	Support - Lower Door.....	1
33	SD-034-22	Self-Tapping Screw 10-16 x 5/8 Phil. Truss Hd., Type AB.....	2

40	00-427617-00001	Flue - Deflector	48	00-343634-00002	Caster
41	00-959663-00001	Tube - Snorkel Assy.	49	00-357047-00001	Caster - Swivel
42	00-402558-00004	Clip - Bulb	50	00-357047-00002	Caster - Swivel
43	00-424172-00001	Leg - Set (PTD)	51	00-417063-00001	Strap
44	00-424172-00002	Leg - Set (SST)	52	00-357093-00001	Ring - Locking
45	00-424157-000G7	Leg (PTD)	53	00-288946-00002	Foot
46	00-342150-00005	Leg (For Double Stack)	54	SC-113-76	Screw
47	00-343634-00001	Caster	55	00-425428-00001	Foot (Adjustable)

PARTS NOT ILLUSTRATED



PL-55991

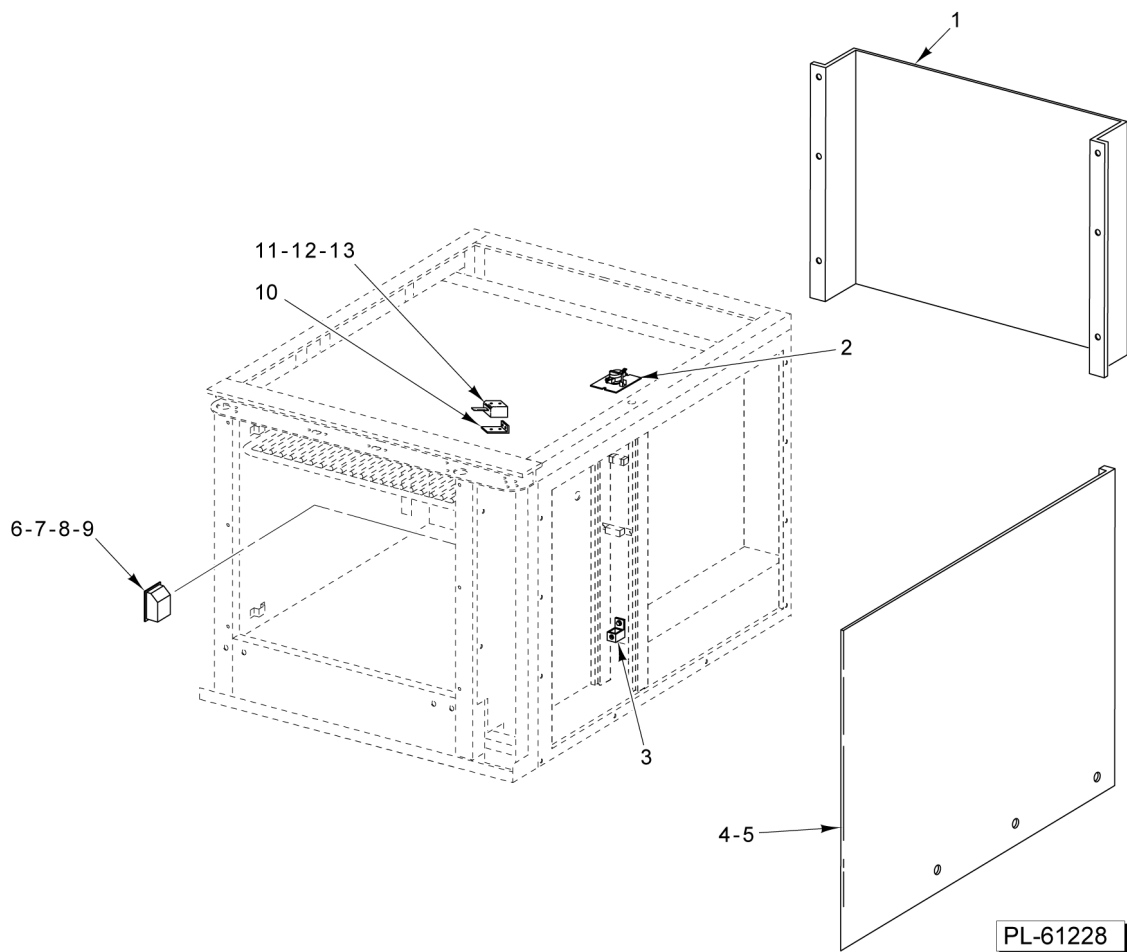
**OVEN PANELS & MOTOR
(PREVIOUS CONSTRUCTION)
(BEFORE 3-19-18)**

**OVEN PANELS & MOTOR
(PREVIOUS CONSTRUCTION)
(BEFORE 3-19-18)**

ILLUS. PL-55991	PART NO.	NAME OF PART	AMT.
1	FE-006-05	Lock Nut 1/2	1
2	00-414540-00B35	Conduit 3/8 x 35 In. Lg.....	1
3	00-342285-00001	Bushing - Plastic.....	2
4	FE-002-03	Connector - Conduit 3/8 TS Straight.....	1
5	00-358516-00001	Motor 1/2 Hp. (2-Speed) (115 V., 50/60 Hz., 1 Ph.).....	1
6	00-358516-00002	Motor 1/2 Hp. (2-Speed) (208-240 V., 50/60 Hz., 1 Ph.).....	1
7	WS-029-46	Washer.....	4
8	NS-046-86	Nut Assy. 5/16-18 KEPS Hex.....	4
9	00-411136-00003	Cover - Fan (50 Hz.).....	1
10	00-411136-00004	Cover - Fan (60 Hz.).....	1
11	00-415780-00003	Wheel - Blower (60 Hz.).....	1
12	00-415780-00005	Wheel - Blower (50 Hz.).....	1
13	00-424840-00002	Panel - Back (SST) (Optional).....	1
14		Not Available for Service.....	1
15	00-423289-000G1	Motor Mount.....	1
16	00-411289-00004	Spacer - Fan Housing.....	4
17	SC-120-15	Mach. Screw 1/4-20 x 4 Rd. Hd.....	4
18	00-958827-000G3	Kit - Oven Limit Assy.....	1
19	00-405016-00001	Cord - Electric Supply (120 V. Only).....	1
20	00-424140-00002	Panel - Outer (RH) (SST) (VC4G).....	1
21	00-424228-00002	Panel - Outer (RH) (SST) (VC6G).....	1
22	00-417856-00001	Lug - Grounding (With Set Screw).....	1
23	01-1000V7-00028	Bulb (120 V.) (Previous Construction).....	1
24	01-1000V7-00053	Lamp - Oven (Complete) (Lens, Base, & Bulb) (Current Construction).....	1
25	00-342766-00002	Light Bulb - Oven (40 Watts) (240 V.) (Previous Construction).....	1
26	00-913102-00032	Kit - Lamp & Housing (250 V.) (Current Construction).....	1
27	00-423832-00001	Cover - Lamp Electrical.....	2
28	01-1000V7-00054	Bulb - Halogen G9 Base (Current Construction).....	1
29	00-357036-00003	Lens - Lamp.....	1
30	00-357036-00001	Oven Lamp (40 Watts) (120-130 V.).....	2
31	00-913102-00032	Kit - Lamp & Housing (250 V.).....	2
32	00-411496-000F1	Switch - Micro (Door).....	1
33	00-499310-000G1	Micro Switch Kit (Incls. Items 32, 34, & 39).....	1
34	SD-034-47	Self-Tapping Screw 6-32 x 1 Hex Washer Hd., Type T.....	2
35	SC-113-65	Cap Screw 5/16-18 x 1-1/4 Hex Hd.....	4
36	WS-029-46	Washer.....	4
37	FE-002-52	Connector - Conduit 3/8 TS 90 Degree.....	1
38	00-358723-00001	Spacer - Steel.....	2
39	00-425324-00001	Bracket - Door Switch.....	1
40	00-427617-00001	Flue - Deflector.....	1
41	00-959663-00001	Tube - Snorkel.....	1
42	00-402558-00004	Clip - Tubing.....	2
43	00-424172-00001	Leg - Set (25-3/4 In.) (PTD).....	1
44	00-424172-00002	Leg - Set (25-3/4 In.) (SST).....	1
45	00-424157-000G7	Leg Assembly for Caster and Foot (Painted Black).....	4
46	00-342150-00005	Leg (8 In.) (Double Stack).....	4
47	00-343634-00001	Caster (Swivel With Brake) (7.5 In.) (Double Stack).....	2
48	00-343634-00002	Caster (Rigid) (7.5 In.).....	2
49	00-357047-00001	Caster - Swivel (Without Brake).....	2
50	00-357047-00002	Caster - Swivel (With Brake).....	2
51	00-417063-00001	Strap - Tie Down.....	4
52	00-357093-00001	Ring - Locking (Use with Item 45).....	4
53	00-288946-00002	Foot - Adjustable (1-5/8) (SST) (Use with Item 45).....	4
54	SC-113-76	Cap Screw 1/4-20 x 1 Hex Hd (Use with legs).....	16
55	00-425428-00001	Foot - Adjustable (Use with Item 46).....	4

14	00-427617-00001	Flue - Deflector	22	00-343634-00002	Caster
15	00-959663-00001	Tube - Snorkel Assy.	23	00-357047-00001	Caster - Swivel
16	00-402558-00004	Clip - Bulb	24	00-357047-00002	Caster - Swivel
17	00-424172-00001	Leg - Set (PTD)	25	00-417063-00001	Strap
18	00-424172-00002	Leg - Set (SST)	26	00-357093-00001	Ring - Locking
19	00-424157-000G7	Leg (PTD)	27	00-288946-00002	Foot
20	00-342150-00005	Leg (For Double Stack)	28	SC-113-76	Screw
21	00-343634-00001	Caster	29	00-425428-00001	Foot (Adjustable)

PARTS NOT ILLUSTRATED

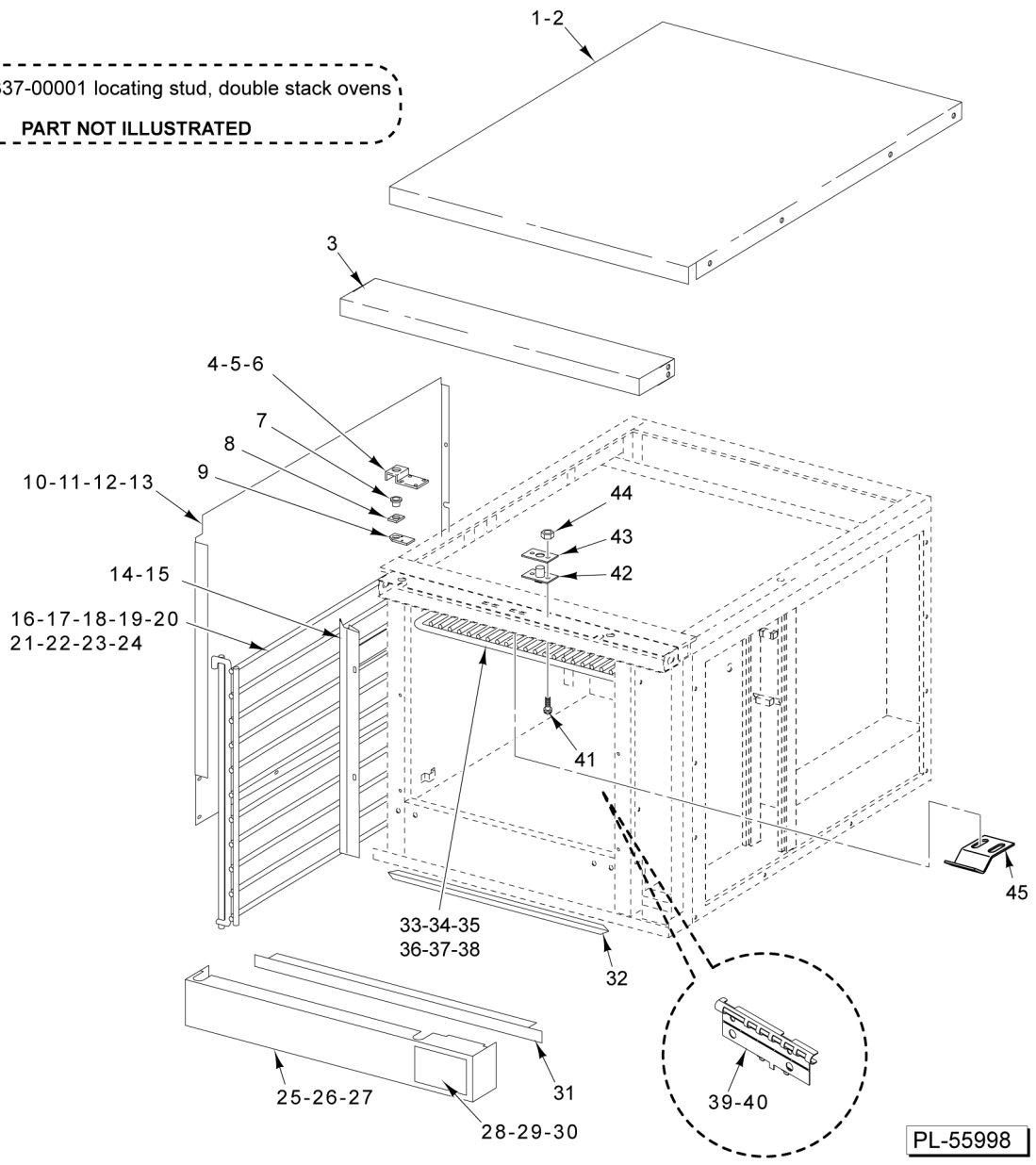


**OVEN PANELS
(CURRENT CONSTRUCTION)
(STARTING 3-19-18)**

**OVEN PANELS
(CURRENT CONSTRUCTION)
(STARTING 3-19-18)**

ILLUS. PL-61228	PART NO.	NAME OF PART	AMT.
1	00-424840-00002	Panel - Back (SST) (Optional).....	1
2	00-958827-000G3	Kit - Oven Limit Assy.....	1
3	00-417856-00001	Lug - Grounding (With Set Screw).....	1
4	00-424140-00002	Panel - Outer (RH) (SST) (VC4G).....	1
5	00-424228-00002	Panel - Outer (RH) (SST) (VC6G).....	1
6	00-960194-00001	Oven Lamp (40W) (120 V.).....	2
7	00-961766-00001	Oven Lamp (40W) (240 V.).....	2
8	00-961291-00001	Bulb - Halogen (120 V.).....	AR
9	00-961291-00002	Bulb - Halogen (230V) (240 V.).....	AR
10	00-425324-00001	Bracket - Door Switch.....	1
11	00-411496-000F1	Switch - Micro (Door).....	1
12	00-499310-000G1	Micro Switch Kit (Incls. Items 10, 11,& 13).....	1
13	SD-034-47	Self-Tapping Screw 6-32 x 1 Hex Washer Hd., Type T.....	2
14	00-427617-00001	Flue - Deflector.....	1
15	00-959663-00001	Tube - Snorkel.....	1
16	00-402558-00004	Clip - Tubing.....	2
17	00-424172-00001	Leg - Set (25-3/4 In.) (PTD).....	1
18	00-424172-00002	Leg - Set (25-3/4 In.) (SST).....	1
19	00-424157-000G7	Leg Assembly for Caster and Foot (Painted Black).....	4
20	00-342150-00005	Leg (8 In.) (Double Stack).....	4
21	00-343634-00001	Caster (Swivel With Brake) (7.5 In.) (Double Stack).....	2
22	00-343634-00002	Caster (Rigid) (7.5 In.) (Double Stack).....	2
23	00-357047-00001	Caster - Swivel (Without Brake).....	2
24	00-357047-00002	Caster - Swivel (With Brake).....	2
25	00-417063-00001	Strap - Tie Down.....	4
26	00-357093-00001	Ring - Locking (Use with Item 19).....	4
27	00-288946-00002	Foot - Adjustable (1-5/8) (SST) (Use with Item 19).....	4
28	SC-113-76	Cap Screw 1/4-20 x 1 Hex Hd (Use with legs).....	AR
29	00-425428-00001	Foot - Adjustable (Use with Item 20).....	4

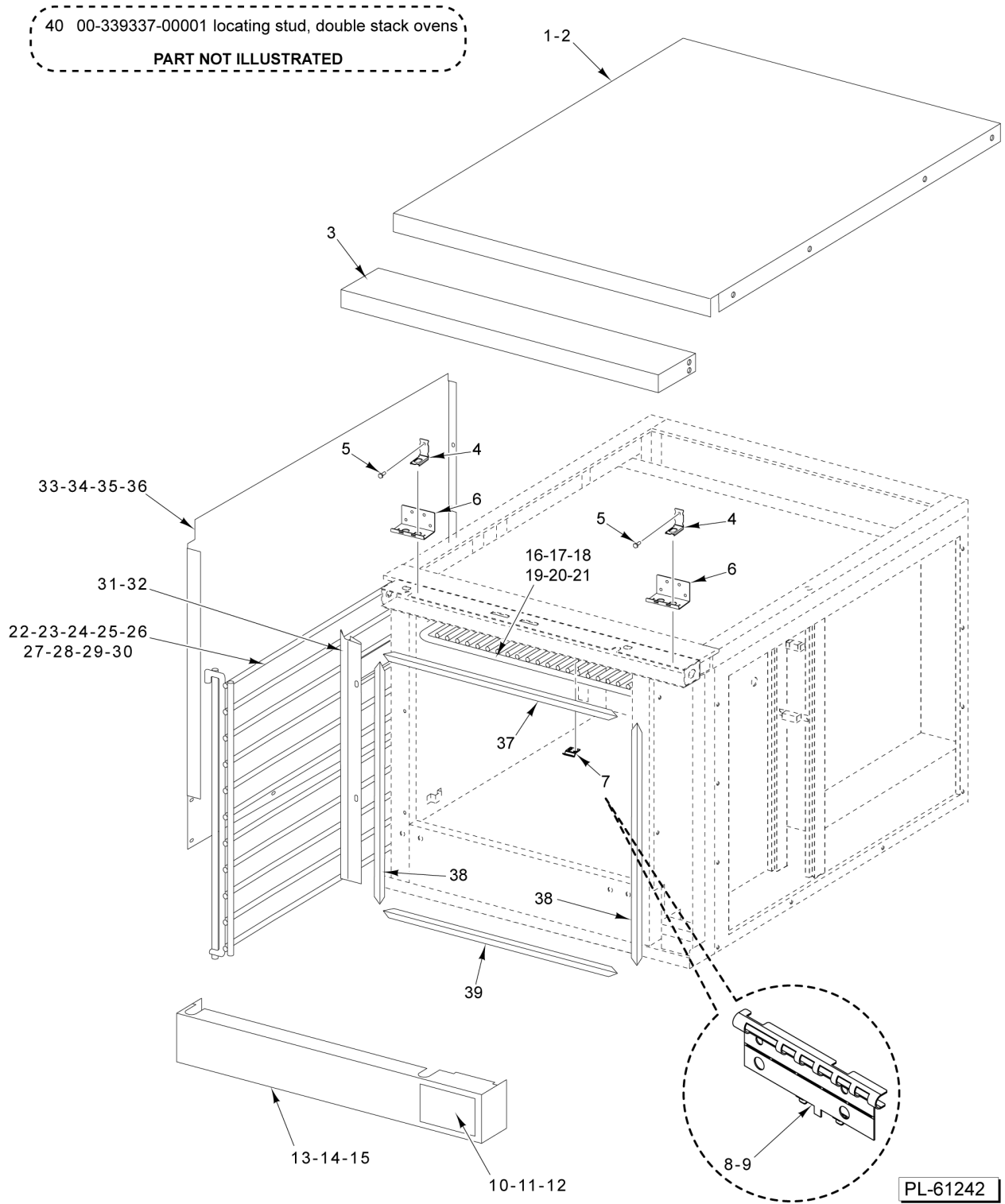
46 00-339337-00001 locating stud, double stack ovens
PART NOT ILLUSTRATED



**OVEN PANELS AND RACK SUPPORTS
(PREVIOUS CONSTRUCTION)
(BEFORE 1-22-18)**

**OVEN PANELS AND RACK SUPPORTS
(PREVIOUS CONSTRUCTION)
(BEFORE 1-22-18)**

ILLUS.	PART NO.	NAME OF PART	AMT.
PL-55998			
1	00-424141-00002	Top (SST) (ML-126610, ML-126611, & ML-136494).....	1
2	00-424229-00002	Top (SST) (ML-126612, ML-126613, & ML-136495).....	1
3	00-421799-00001	Top - Front.....	1
4	00-353484-00001	Plate - Retainer.....	2
5	SC-053-41	Mach. Screw 1/4-20 x 1/2 Slotted Truss Hd. (SST).....	4
6	NS-038-08	Lock Nut 1/4-20 x 1 Hex.....	4
7	00-347080-00002	Bearing - Door Shaft.....	2
8	00-353482-00001	Spacer.....	2
9	00-353483-00001	Plate - Upper Door Bearing.....	2
10	00-424142-00002	Panel - Outer (SST) (LH) (ML-126610, ML-126611, & ML-136494) (Previous Construction).....	1
11	00-424230-00002	Panel - Outer (SST) (LH) (ML-126612, ML-126613, & ML-136495) (Previous Construction).....	1
12	00-499302-00001	Side - Left Body (ML-126610, ML-126611, & ML-136494) (Current Construction).....	1
13	00-499303-00001	Side - Left Body (ML-126612, ML-126613, & ML-136495) (Current Construction).....	1
14	00-357919-00001	Kit - Door Seal (Incls. Items 15 & 32).....	1
15	00-423842-000G1	Seal - Vertical Door (Set) (LH & RH).....	1
16	00-428104-00001	Guide - Rack (LH) (ML-126610, ML-126611, & ML-136494) (Before S/N481809325).....	1
17	00-428104-00002	Guide - Rack (RH) (ML-126610, ML-126611, & ML-136494) (Before S/N481809325).....	1
18	00-428104-00003	Guide - Rack (LH) (ML-126612, ML-126613, & ML-136495) (Before S/N481809325).....	1
19	00-428104-00004	Guide - Rack (RH) (ML-126612, ML-126613, & ML-136495) (Before S/N481809325).....	1
20	00-342141-00001	Rack - Support (LH) (ML-126610, ML-126611, & ML-136494) (Previous Construction).....	1
21	00-342141-00002	Rack - Support (RH) (ML-126610, ML-126611, & ML-136494) (Previous Construction).....	1
22	00-424833-00001	Rack - Support (LH) (ML-126612, ML-126613, & ML-136495) (Previous Construction).....	1
23	00-424833-00002	Rack - Support (RH) (ML-126612, ML-126613, & ML-136495) (Previous Construction).....	1
24	00-959456-00001	Support - Rack Guide (LH & RH) (Starting S/N481809325).....	2
25	00-423766-000G1	Trim - Bottom W/Access Door Assy. (Previous Construction).....	1
26	00-421797-00002	Trim - Bottom (Previous Construction).....	1
27	00-499261-00002	Trim - Bottom W/O Access Door Assy. (Current Construction).....	1
28	00-423758-00001	Door - Access Trim (Previous Construction).....	1
29	00-499297-00001	Door - Lower Access Trim.....	1
30	00-425199-00001	Fastener - Nylon (Push-In).....	2
31	00-424865-00001	Cover - Trim.....	1
32	00-357507-00001	Seal - Horizontal Door (30-1/2 In. Long) (Top & Bottom).....	2
33	00-411265-00011	Rack Assy. (ML-126610, ML-126611, & ML-136494) (Single Center Cross Member).....	AR
34	00-411265-00022	Rack Assy. (ML-126610, ML-126611, & ML-136494) (Two Cross Members) (Before S/N481809325).....	AR
35	00-959523-00001	Rack Assy. (ML-126610, ML-126611, & ML-136494) (Starting S/N481809554).....	AR
36	00-411265-00010	Rack Assy. (ML-126612, ML-126613, & ML-136495)(Single Center Cross Member) (Used Before 9/09).....	AR
37	00-411265-00020	Rack Assy. (ML-126612, ML-126613, & ML-136495) (Two Cross Members) (Used from 9/09 to S/N481809325).....	AR
38	00-959523-00002	Rack Assy. (ML-126612, ML-126613, & ML-136495) (Starting S/N481809554).....	AR
39	00-959753-00001	Probe Guard & Retainer.....	1
40	SD-032-07	Self-Tapping Screw 10-24 x 1/2 Hex Washer Hd., Type TT.....	2
41	SC-115-51	Mach. Screw 10-32 x 1/2 Phil. Truss Hd.....	2
42	00-347545-00001	Catch Assy. - Door (Previous Construction).....	1
43	00-423848-00001	Shim - Door Strike (Previous Construction).....	AR
44	NS-038-03	Lock Nut 10-32 SP (Previous Construction).....	2
45	00-497585-00001	Plate - Strike (Current Construction).....	1
46	00-339337-00001	Stud - Locating.....	2



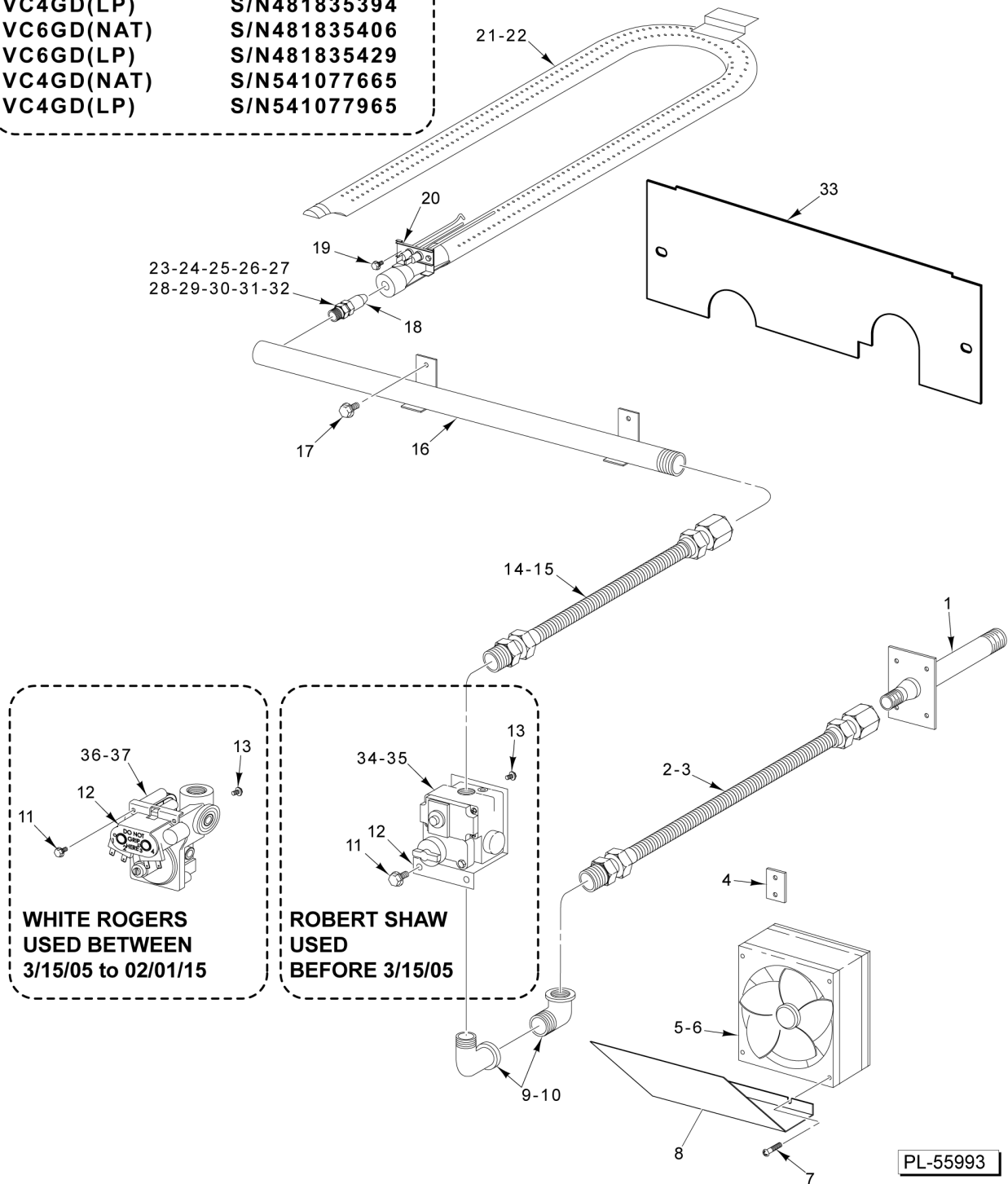
**OVEN PANELS AND RACK SUPPORTS
(CURRENT CONSTRUCTION)
(STARTING 1-22-18)**

**OVEN PANELS AND RACK SUPPORTS
(CURRENT CONSTRUCTION)
(STARTING 1-22-18)**

ILLUS. PL-61242	PART NO.	NAME OF PART	AMT.
1	00-424141-00002	Top (SST) (ML-126610, ML-126611, & ML-136494).....	1
2	00-424229-00002	Top (SST) (ML-126612, ML-126613, & ML-136495).....	1
3	00-421799-00001	Top - Front.....	1
4	00-961587-00001	Clip - Hold Down.....	2
5	00-922154	Screw 1/4-20 x 1 Hex Hd.....	9
6	00-961656-00001	Support - Door (Upper).....	2
7	00-497585-00001	Plate - Strike.....	1
8	00-959753-00001	Probe Guard & Retainer.....	1
9	SD-032-07	Self-Tapping Screw 10-24 x 1/2 Hex Washer Hd., Type TT.....	2
10	00-423758-00001	Door - Access Trim (Previous Construction).....	1
11	00-499297-00001	Door - Lower Access Trim.....	1
12	00-425199-00001	Fastener - Nylon (Push-In).....	2
13	00-423766-000G1	Trim - Bottom W/Access Door Assy. (Previous Construction).....	1
14	00-421797-00002	Trim - Bottom (Previous Construction).....	1
15	00-499261-00002	Trim - Bottom W/O Access Door Assy. (Current Construction).....	1
16	00-411265-00011	Rack Assy. (ML-126610, ML-126611, & ML-136494) (Single Center Cross Member)	AR
17	00-411265-00022	Rack Assy. (ML-126610, ML-126611, & ML-136494) (Two Cross Members) (Before S/N481809325).....	AR
18	00-959523-00001	Rack Assy. (ML-126610, ML-126611, & ML-136494) (Starting S/N481809554).....	AR
19	00-411265-00010	Rack Assy. (ML-126612, ML-126613, & ML-136495)(Single Center Cross Member) (Used Before 9/09).....	AR
20	00-411265-00020	Rack Assy. (ML-126612, ML-126613, & ML-136495) (Two Cross Members) (Used from 9/09 to S/N481809325).....	AR
21	00-959523-00002	Rack Assy. (ML-126612, ML-126613, & ML-136495) (Starting S/N481809554).....	AR
22	00-428104-00001	Guide - Rack (LH) (ML-126610, ML-126611, & ML-136494) (Before S/N481809325)	1
23	00-428104-00002	Guide - Rack (RH) (ML-126610, ML-126611, & ML-136494) (Before S/N481809325)	1
24	00-428104-00003	Guide - Rack (LH) (ML-126612, ML-126613, & ML-136495) (Before S/N481809325)	1
25	00-428104-00004	Guide - Rack (RH) (ML-126612, ML-126613, & ML-136495) (Before S/N481809325)	1
26	00-342141-00001	Rack - Support (LH) (ML-126610, ML-126611, & ML-136494) (Previous Construction)	1
27	00-342141-00002	Rack - Support (RH) (ML-126610, ML-126611, & ML-136494) (Previous Construction)	1
28	00-424833-00001	Rack - Support (LH) (ML-126612, ML-126613, & ML-136495) (Previous Construction)	1
29	00-424833-00002	Rack - Support (RH) (ML-126612, ML-126613, & ML-136495) (Previous Construction)	1
30	00-959456-00001	Support - Rack Guide (LH & RH) (Starting S/N481809325).....	2
31	00-357919-00001	Kit - Door Seal (Previous Construction).....	1
32	00-423842-000G1	Seal - Vertical Door (Set) (LH & RH) (Previous Construction).....	1
33	00-424142-00002	Panel - Outer (SST) (LH) (ML-126610, ML-126611, & ML-136494) (Previous Construction).....	1
34	00-424230-00002	Panel - Outer (SST) (LH) (ML-126612, ML-126613, & ML-136495) (Previous Construction).....	1
35	00-499302-00001	Side - Left Body (ML-126610, ML-126611, & ML-136494) (Current Construction).....	1
36	00-499303-00001	Side - Left Body (ML-126612, ML-126613, & ML-136495) (Current Construction).....	1
37	00-959770-00001	Seal - Door (Top).....	1
38	00-959771-00001	Seal - Door (Side).....	2
39	00-959772-00001	Seal - Door (Bottom).....	1
40	00-339337-00001	Stud - Locating.....	2

USED ON OVENS BEFORE THE FOLLOWING S/N

VC4GD(NAT)	S/N481835388
VC4GD(LP)	S/N481835394
VC6GD(NAT)	S/N481835406
VC6GD(LP)	S/N481835429
VC4GD(NAT)	S/N541077665
VC4GD(LP)	S/N541077965



**GAS PIPING AND FLAME CHAMBER
(BEFORE SERIAL NUMBER)**

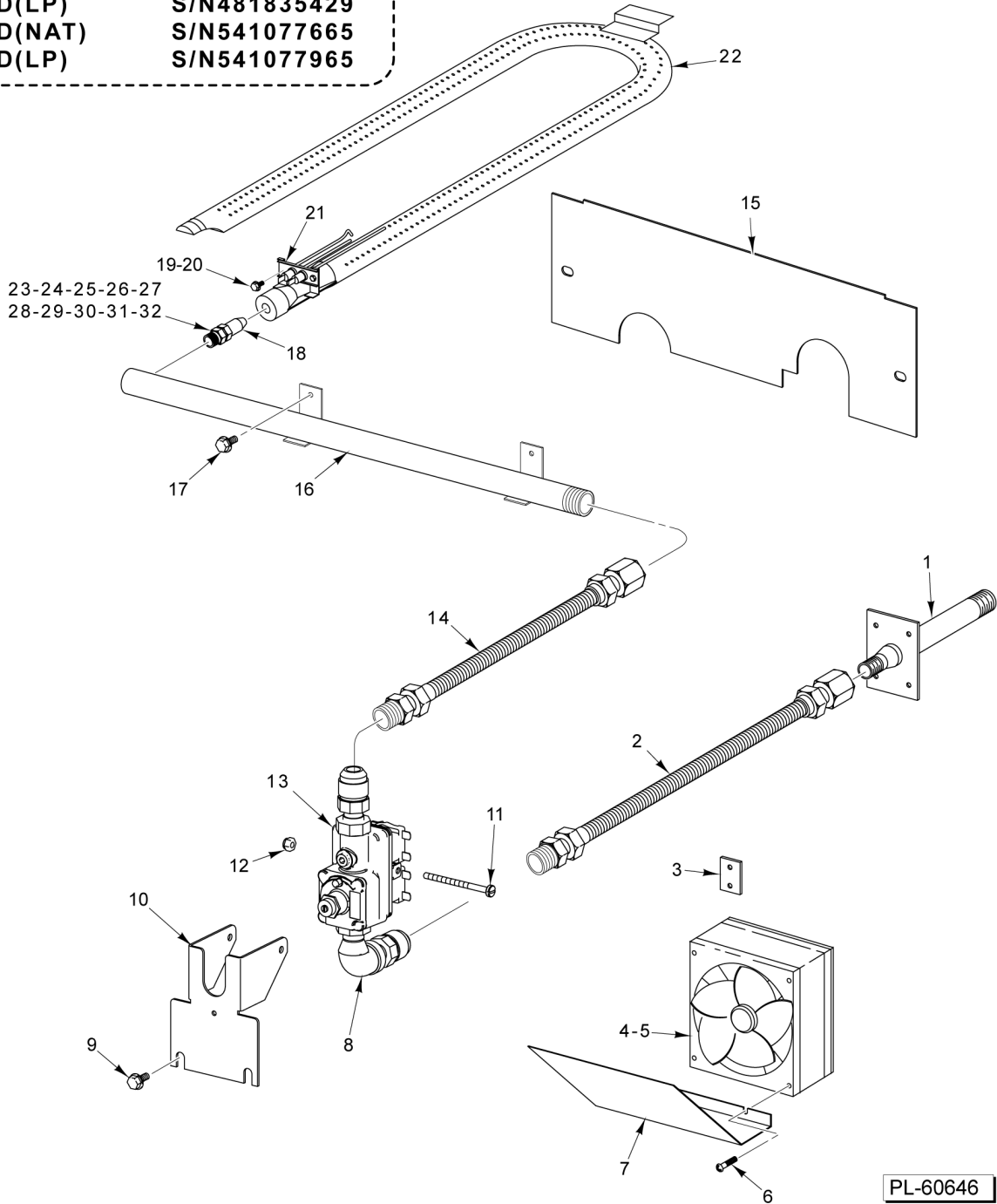
**GAS PIPING AND FLAME CHAMBER
(BEFORE SERIAL NUMBER)**

ILLUS. PL-55993	PART NO.	NAME OF PART	AMT.
1	00-423819-00003	Pipe - Weldment Gas Inlet.....	1
2	00-423828-00001	Tube - Flex (30 In.) (1/2 Male End) (Used with Items 34 & 35).....	1
3	00-423828-00006	Tube - Flex (30 In.) (3/8 Male End) (Used with Items 36 & 37).....	1
4	00-425433-00001	Fan - Clip.....	1
5	00-424940-00001	Fan - Cooling (120 V.).....	1
6	00-424940-00002	Fan - Cooling (230 V.).....	1
7	SD-034-52	Self-Tapping Screw 8-32 x 1 Hex Washer Hd., Type T.....	2
8	00-423820-00001	Deflector - Air.....	1
9	FP-013-17	Elbow - Street 1/2 x 90 Deg. (Used with Items 34 & 35).....	2
10	FP-078-75	Elbow - Pipe 3/8 x 90 Deg. (Used with Items 36 & 37).....	1
11	SC-113-80	Cap Screw 1/4-20 x 1/2 Hex Hd.....	2
12	00-424728-00001	Bracket - Gas Valve.....	1
13	SC-117-60	Mach. Screw 10-32 x 1-1/4 Phil. Oval Hd.....	2
14	00-423828-00002	Tube - Flex (18 In.) (1/2 Male End) (Used with Items 34 & 35).....	1
15	00-423828-00007	Tube - Flex (18 In.) (3/8 Male End) (Used with Items 36 & 37).....	1
16	00-424138-00001	Manifold.....	1
17	SC-113-80	Cap Screw 1/4-20 x 1/2 Hex Hd.....	2
18	00-417879-00001	Nozzle - Burner.....	1
19	SD-034-49	Self-Tapping Screw 8-32 x 1/2 Hex Washer Hd., Type T.....	2
20	00-424194-00001	Ignitor - Flame Detector.....	1
21	00-424135-000G1	Burner Assy. (VC4G).....	1
22	00-424195-000G1	Burner Assy. (VC6G).....	1
23	00-010901-00031	Orifice - Spud (31 Drill) (NAT) (Sea Level to 2499 Ft.).....	1
24	00-010901-00032	Orifice - Spud (32 Drill) (NAT) (2500 Ft. to 3499 Ft.).....	1
25	00-010901-00033	Orifice - Spud (33 Drill) (NAT) (3500 Ft. to 4499 Ft.).....	1
26	00-010901-00034	Orifice - Spud (34 Drill) (NAT) (4500 Ft. to 6499 Ft.).....	1
27	00-010901-00035	Orifice - Spud (35 Drill) (NAT) (6500 Ft. to 8499 Ft.).....	1
28	00-010901-00036	Orifice - Spud (36 Drill) (NAT) (8500 Ft. to 10500 Ft.).....	1
29	00-010901-00046	Orifice - Spud (46 Drill) (LP) (Sea Level to 2499 Ft.).....	1
30	00-010901-00048	Orifice - Spud (48 Drill) (LP) (2500 Ft. to 4499 Ft.).....	1
31	00-010901-00049	Orifice - Spud (49 Drill) (LP) (4500 Ft. to 7499 Ft.).....	1
32	00-010901-00050	Orifice - Spud (50 Drill) (LP) (7500 Ft. to 10500 Ft.).....	1
33	00-424191-000G1	Cover - Burner Access.....	1
34	00-410841-00018	Valve - Gas Control (NAT) (Robert Shaw) (Before February 2005).....	1
35	00-410841-00019	Valve - Gas Control (LP) (Robert Shaw) (Before February 2005).....	1
36	00-497269-00001	Valve - Gas Control (NAT) (White Rogers) (From February 2005 to February 2015)	1
37	00-497269-00002	Valve - Gas Control (LP) (White Rogers) (From February 2005 to February 2015)	1

USED ON OVENS AFTER THE FOLLOWING S/N

VC4GD(NAT)	S/N481835388
VC4GD(LP)	S/N481835394
VC6GD(NAT)	S/N481835406
VC6GD(LP)	S/N481835429
VC4GD(NAT)	S/N541077665
VC4GD(LP)	S/N541077965

33 00-412788-00048 Thermocouple 48"
 34 00-497765-00002 Safety Valve
PARTS NOT ILLUSTRATED



**GAS PIPING AND FLAME CHAMBER
 (AFTER SERIAL NUMBER)**

PL-60646

GAS PIPING AND FLAME CHAMBER (AFTER SERIAL NUMBER)

ILLUS. PL-60646	PART NO.	NAME OF PART	AMT.
1	00-423819-00003	Pipe - Weldment Gas Inlet.....	1
2	00-423828-00006	Tube - Flex (30 In.).....	1
3	00-425433-00001	Fan - Clip.....	1
4	00-424940-00001	Fan - Cooling (120 V.).....	1
5	00-424940-00002	Fan - Cooling (230 V.).....	1
6	SD-034-52	Self-Tapping Screw 8-32 x 1 Hex Washer Hd., Type T.....	2
7	00-423820-00001	Deflector - Air.....	1
8	FP-078-75	Elbow - Pipe 3/8 x 90 Deg.....	1
9	SC-113-80	Cap Screw 1/4-20 x 1/2 Hex Hd.....	2
10	00-959486-00001	Bracket - Gas Valve.....	1
11	SC-007-93	Mach. Screw 10-24 X 2-1/2 Slotted Rd. Hd.....	1
12	NS-048-22	Nut, Lock SP. 10-24.....	1
13	00-959662-00001	Valve - Combination Gas, Convertable (NAT & LP).....	1
14	00-423828-00007	Tube - Flex (18 In.).....	1
15	00-959379-00001	Cover - Burner Access, Mid.....	1
16	00-424138-00001	Manifold.....	1
17	SC-113-80	Cap Screw 1/4-20 x 1/2 Hex Hd.....	2
18	00-417879-00001	Nozzle - Burner.....	1
19	SD-114-24	Mach. Screw 8-32 x 1/2 Phil. Pan Hd.....	2
20	NS-044-07	Nut Assy. 8-32 Hex Keps.....	2
21	00-959507-00001	Igniter - Burner.....	1
22	00-959508-00001	Burner.....	1
23	00-010901-00031	Orifice - Spud (31 Drill) (NAT) (Sea Level to 2499 Ft.).....	1
24	00-010901-00032	Orifice - Spud (32 Drill) (NAT) (2500 Ft. to 3499 Ft.).....	1
25	00-010901-00033	Orifice - Spud (33 Drill) (NAT) (3500 Ft. to 4499 Ft.).....	1
26	00-010901-00034	Orifice - Spud (34 Drill) (NAT) (4500 Ft. to 6499 Ft.).....	1
27	00-010901-00035	Orifice - Spud (35 Drill) (NAT) (6500 Ft. to 8499 Ft.).....	1
28	00-010901-00036	Orifice - Spud (36 Drill) (NAT) (8500 Ft. to 10500 Ft.).....	1
29	00-010901-00046	Orifice - Spud (46 Drill) (LP) (Sea Level to 2499 Ft.).....	1
30	00-010901-00048	Orifice - Spud (48 Drill) (LP) (2500 Ft. to 4499 Ft.).....	1
31	00-010901-00049	Orifice - Spud (49 Drill) (LP) (4500 Ft. to 7499 Ft.).....	1
32	00-010901-00050	Orifice - Spud (50 Drill) (LP) (7500 Ft. to 10500 Ft.).....	1
*33	00-412788-00048	Thermocouple 48".....	1
*34	00-497765-00002	Safety Valve.....	1

* ML-126611 (Kosher Units) Only

