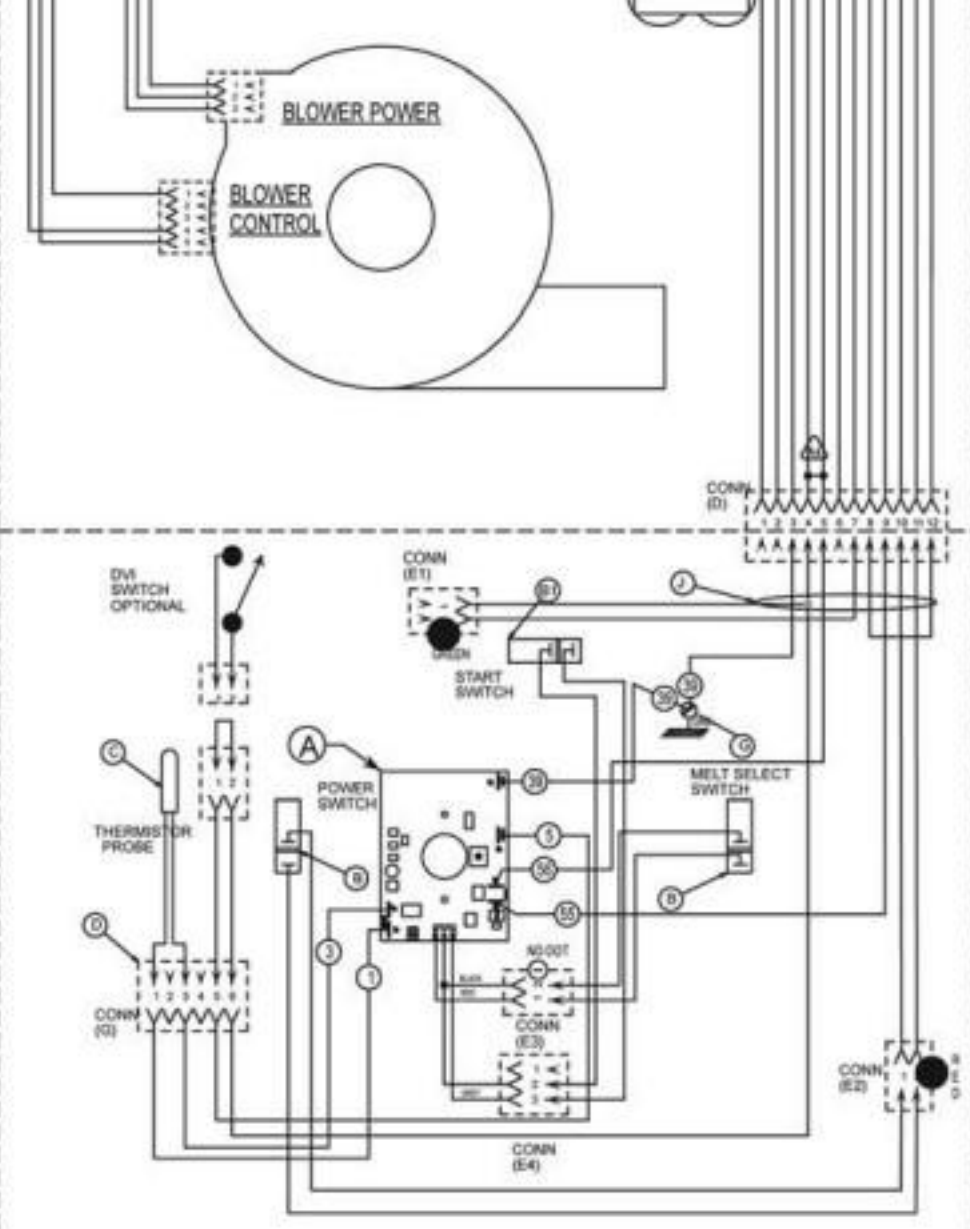


CONN  
**SEE AI3477**

1	Z12	HARNESS, BLOWER CONNECTION	958452-G1
1	Z3	MANIFOLD HARNESS	958453-G1
1	M	HARNESS, MAIN	958455-G1
1	L	HI-LIMIT	958475-1
1	K	COMBO VALVE	NAT 958045-1 LP 958045-2
1	J	INTERFACE HARNESS	427753-G2
2	G	TERMINAL, STATIONARY	418317
1	D	D.V.I. HARNESS ASSEMBLY	427750-G1
1	C	THERMISTOR	958474-1
1	B1	ROCKER SWITCH ASSEMBLY-MOM.	427755-G2
2	B	ROCKER SWITCH ASSEMBLY	427755-G1
1	A	NCC CONTROL	958825-G3
REQ.	IT.	DESCRIPTION	PART NO.

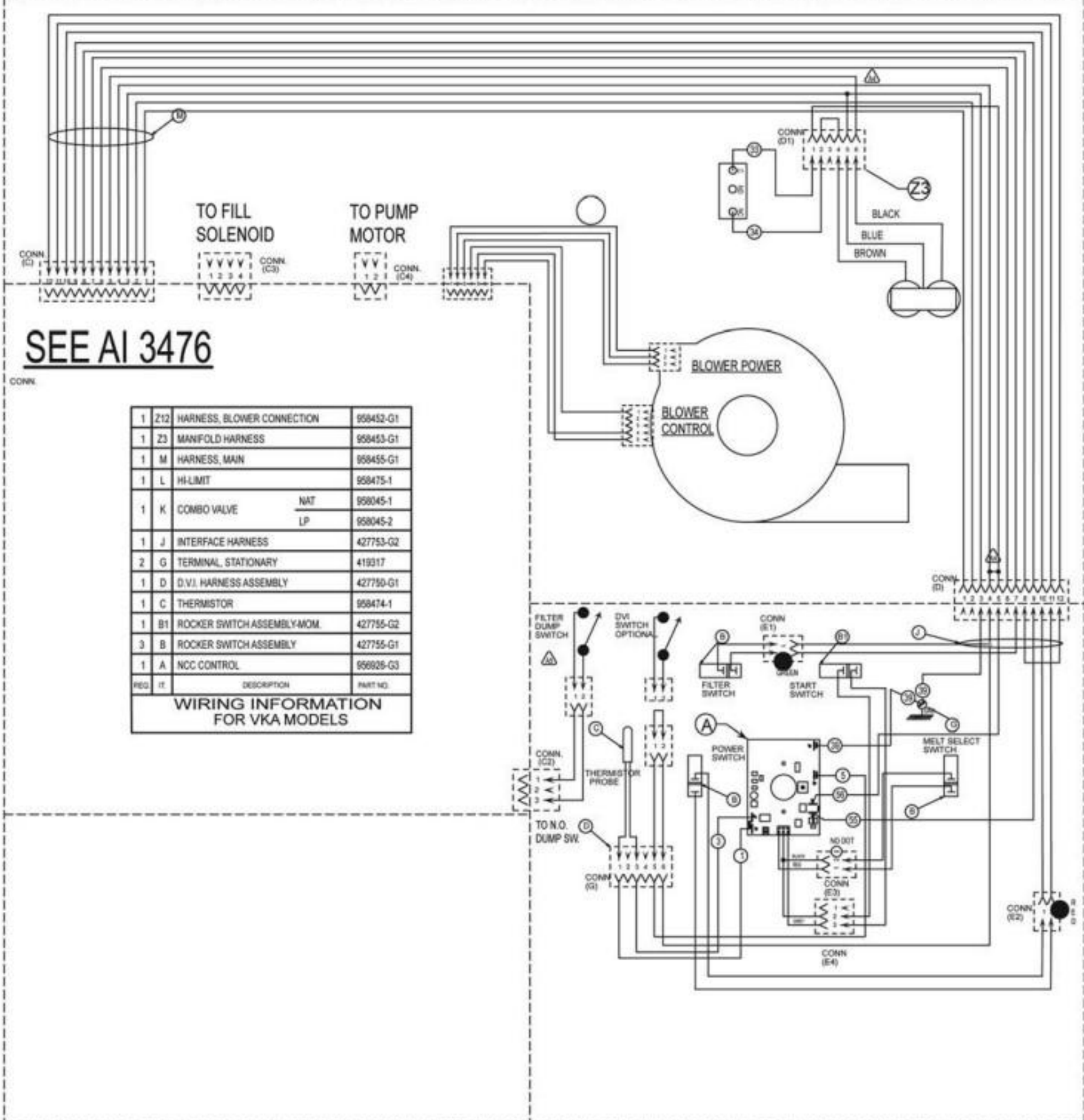
**WIRING INFORMATION  
 FOR VKA MODELS**



**SEE AI 3476**

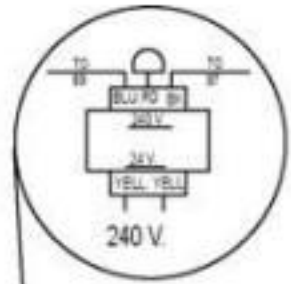
REQ	IT	DESCRIPTION	PART NO.
1	Z12	HARNES, BLOWER CONNECTION	958452-G1
1	Z3	MANIFOLD HARNES	958453-G1
1	M	HARNES, MAIN	958455-G1
1	L	HI-LIMIT	958475-1
1	K	COMBO VALVE	NAT 958045-1 LP 958045-2
1	J	INTERFACE HARNES	427753-G2
2	G	TERMINAL, STATIONARY	419317
1	D	D.V.I. HARNES ASSEMBLY	427750-G1
1	C	THERMISTOR	958474-1
1	B1	ROCKER SWITCH ASSEMBLY-MOM.	427755-G2
3	B	ROCKER SWITCH ASSEMBLY	427755-G1
1	A	NCC CONTROL	958926-G3

**WIRING INFORMATION FOR VKA MODELS**

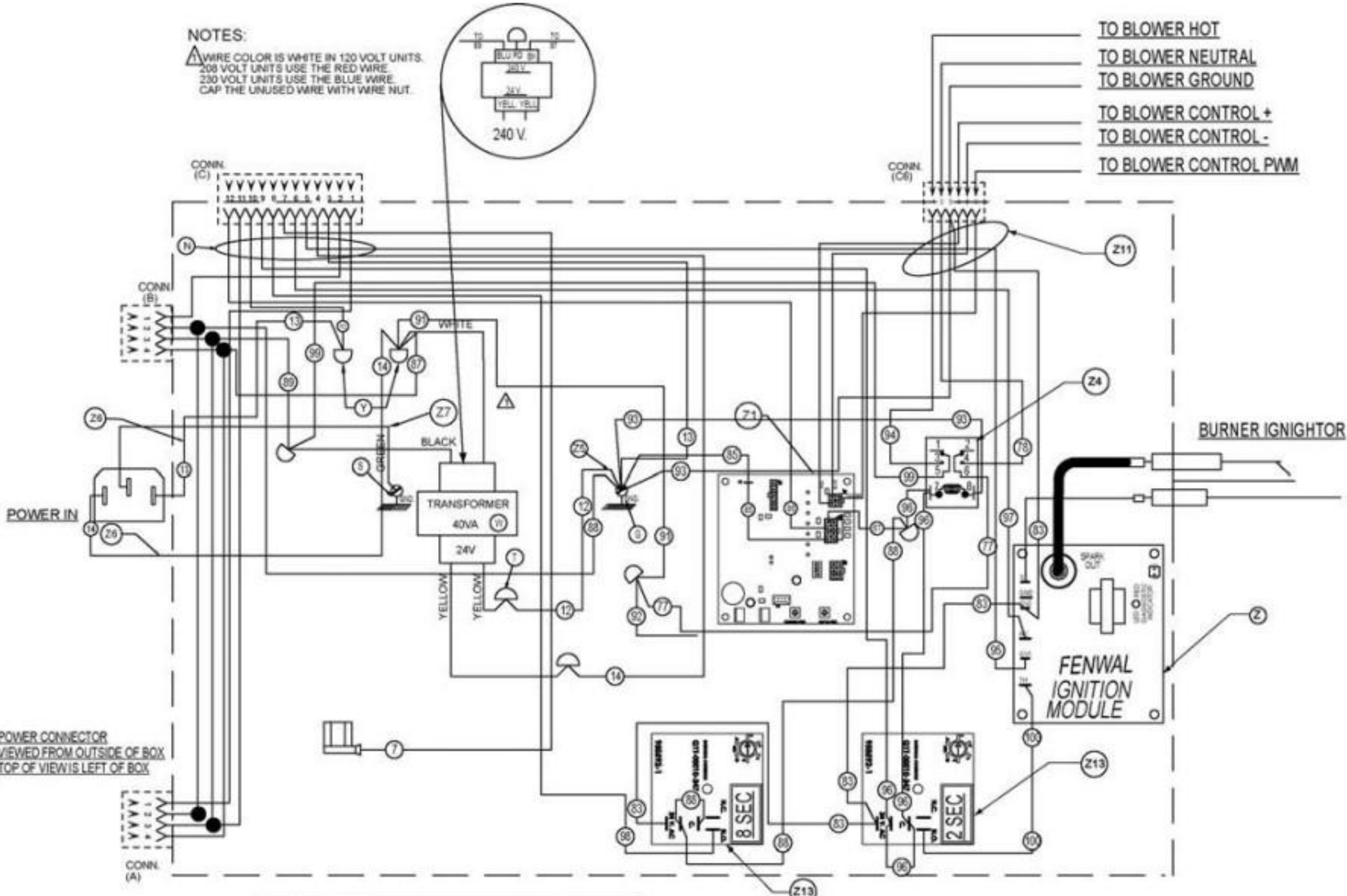


**NOTES:**

⚠️ WIRE COLOR IS WHITE IN 120 VOLT UNITS.  
 208 VOLT UNITS USE THE RED WIRE.  
 230 VOLT UNITS USE THE BLUE WIRE.  
 CAP THE UNUSED WIRE WITH WIRE NUT.



- TO BLOWER HOT
- TO BLOWER NEUTRAL
- TO BLOWER GROUND
- TO BLOWER CONTROL +
- TO BLOWER CONTROL -
- TO BLOWER CONTROL PWM

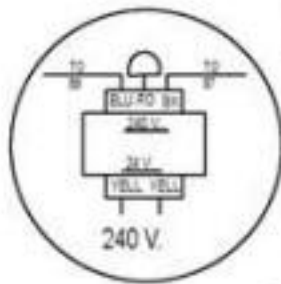


POWER CONNECTOR  
 VIEWED FROM OUTSIDE OF BOX  
 TOP OF VIEW IS LEFT OF BOX

2	3	Z11	TIME DELAY RELAY 14 VDC DRIVE	068503.1
---	---	-----	-------------------------------	----------

**NOTES:**

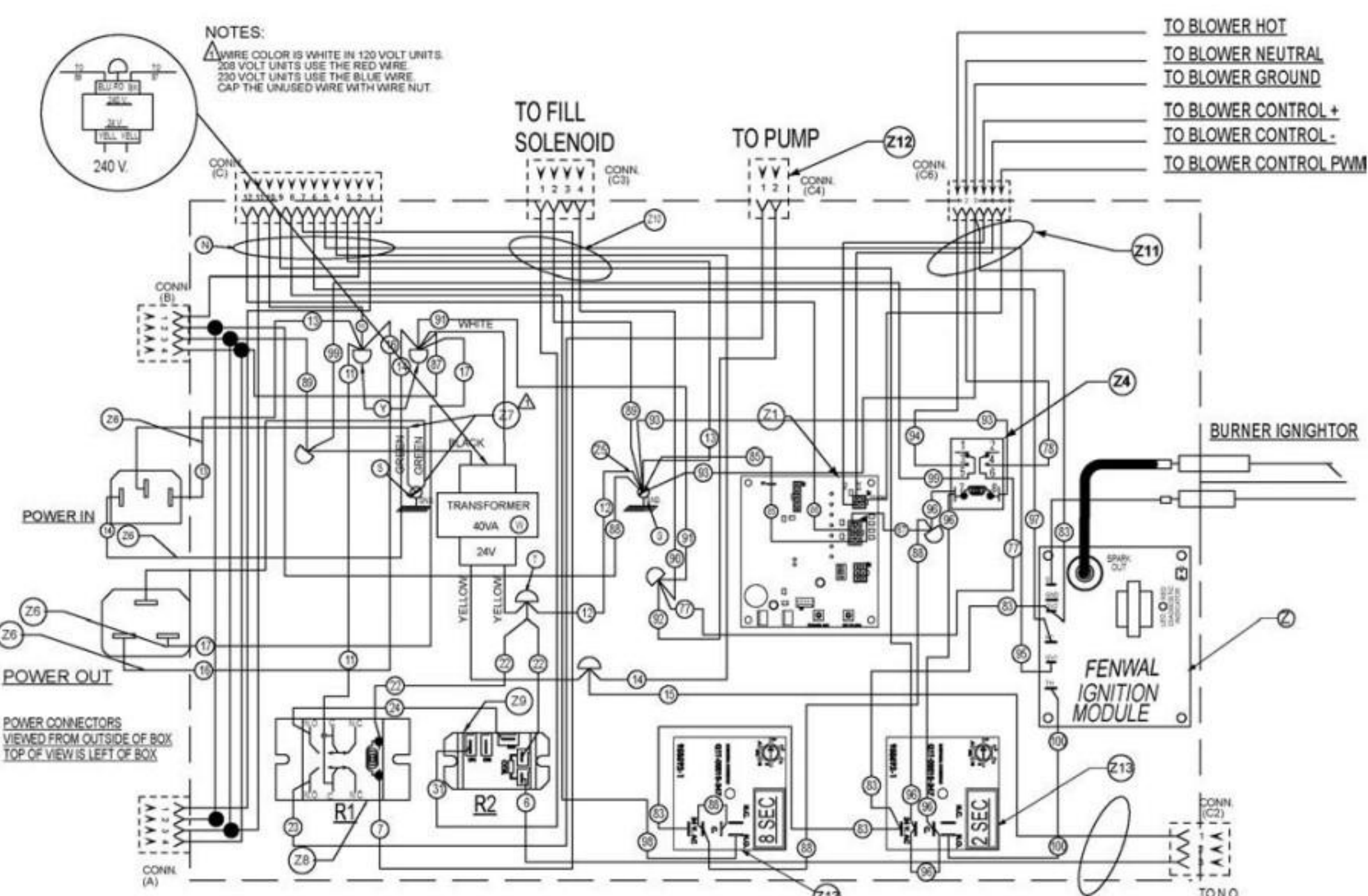
⚠️ WIRE COLOR IS WHITE IN 120 VOLT UNITS.  
 208 VOLT UNITS USE THE RED WIRE.  
 230 VOLT UNITS USE THE BLUE WIRE.  
 CAP THE UNUSED WIRE WITH WIRE NUT.



- TO BLOWER HOT
- TO BLOWER NEUTRAL
- TO BLOWER GROUND
- TO BLOWER CONTROL +
- TO BLOWER CONTROL -
- TO BLOWER CONTROL PWM

TO FILL SOLENOID

TO PUMP



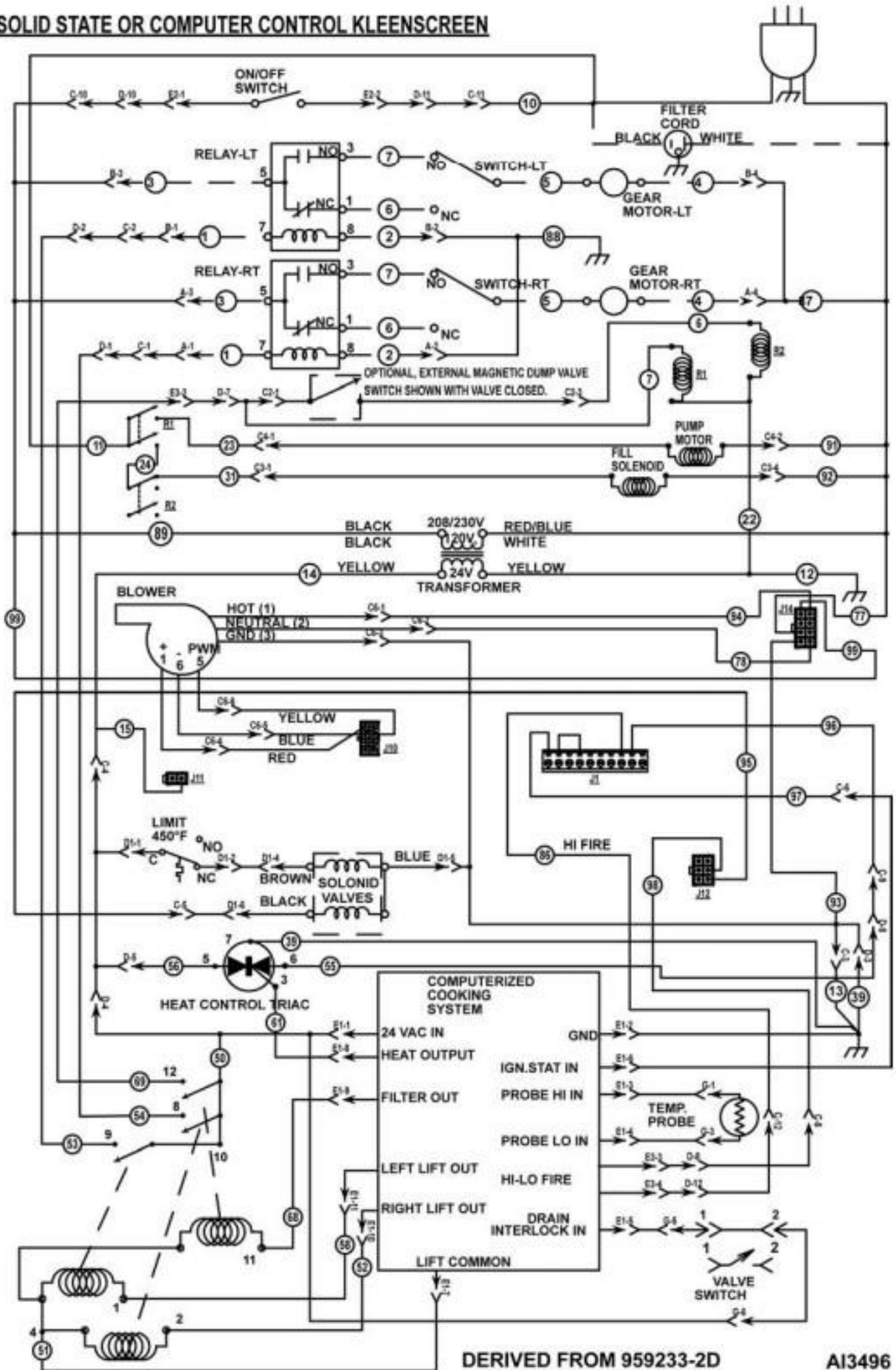
POWER CONNECTORS VIEWED FROM OUTSIDE OF BOX TOP OF VIEW IS LEFT OF BOX

1	1	Z14	HARNES DUMP SWITCH CONNECT	958678-G3
2	2	Z13	TIME DELAY RELAY 24 VAC DRIVE	95850-1
1	1	Z12	HARNES PUMP MOTOR CONNECT	958678-G2

TO N.O.



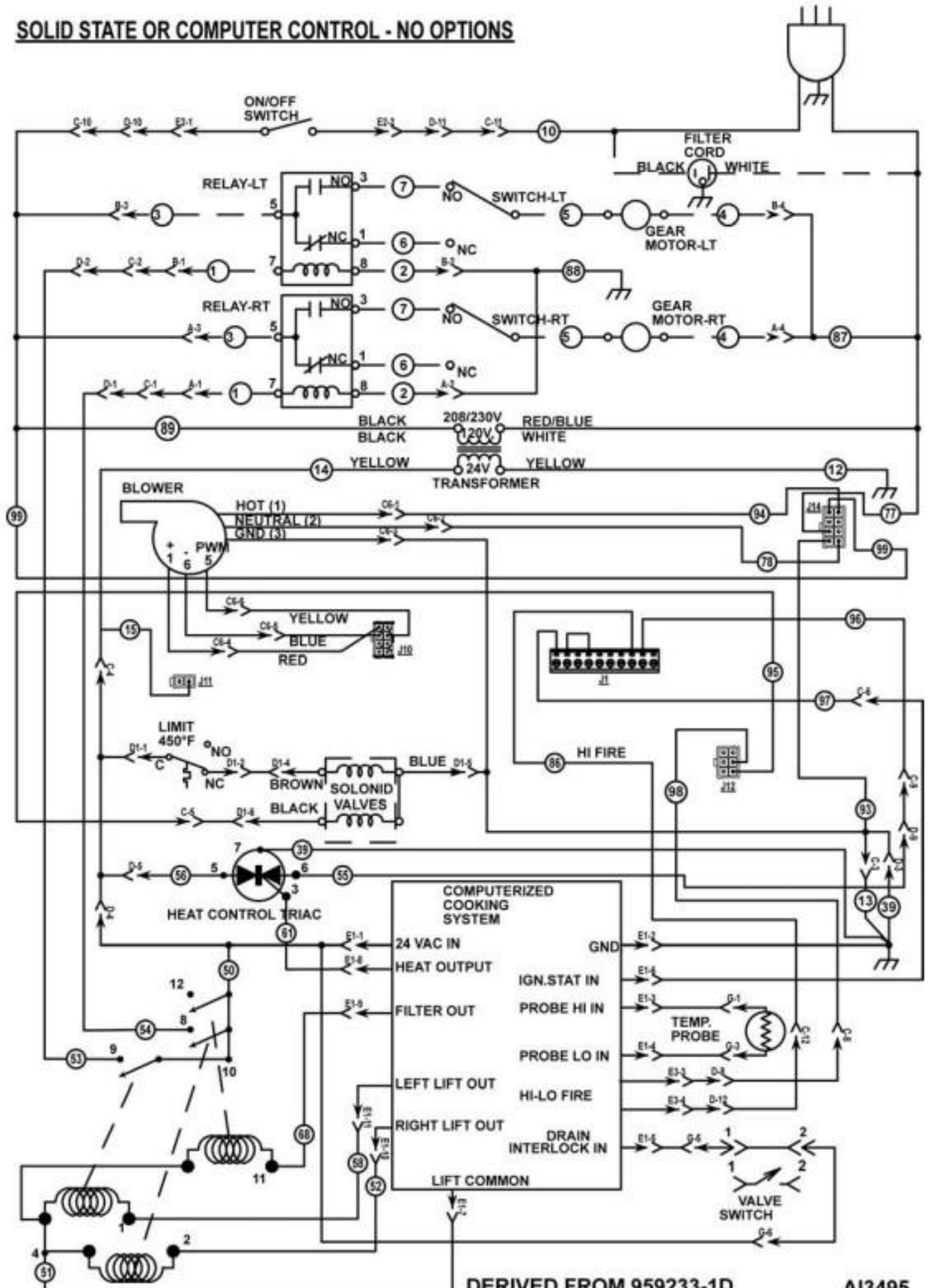
# SOLID STATE OR COMPUTER CONTROL KLEENSCREEN



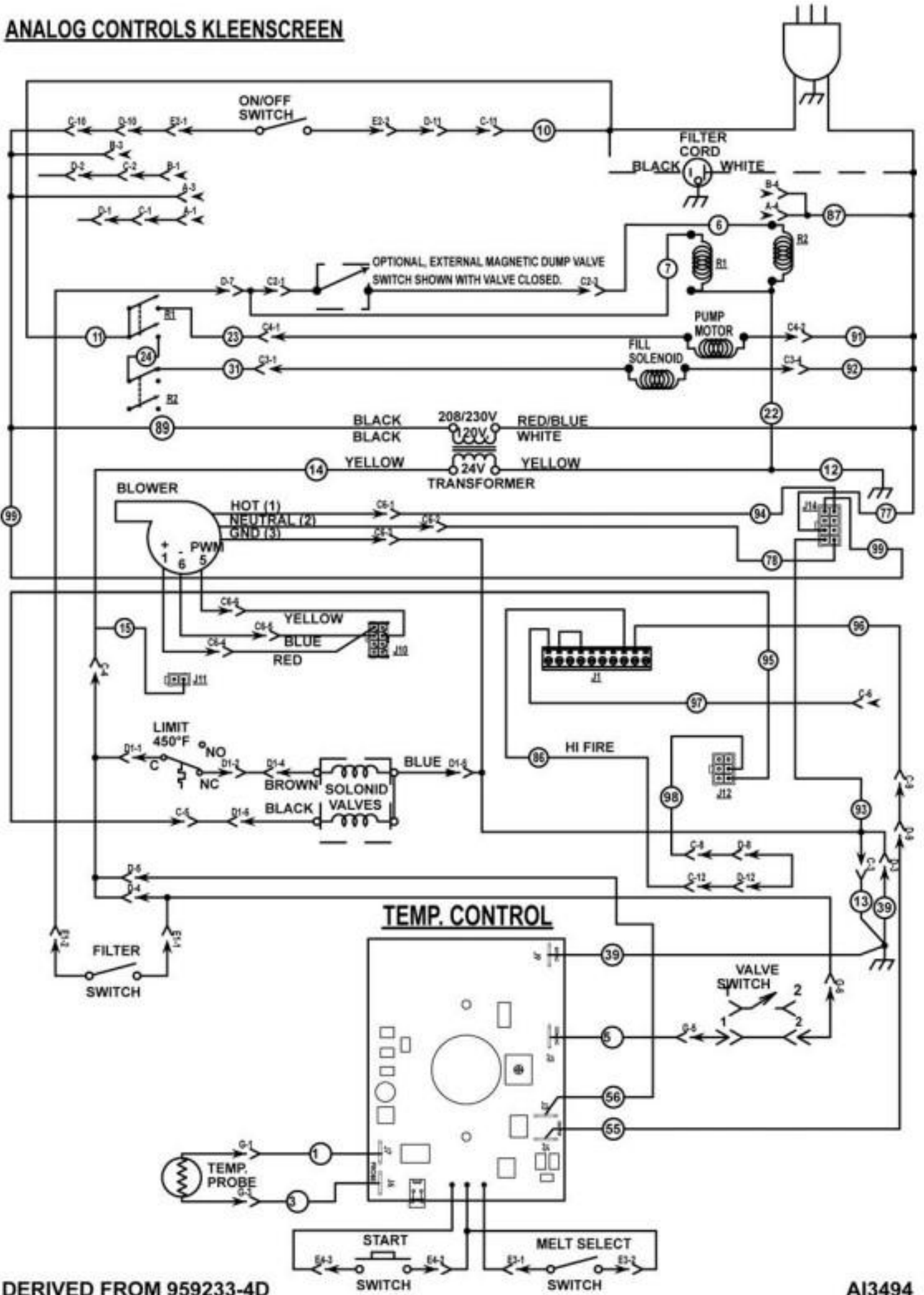
DERIVED FROM 959233-2D

AI3496

# SOLID STATE OR COMPUTER CONTROL - NO OPTIONS



# ANALOG CONTROLS KLEENSCREEN



# ANALOG CONTROLS - NO OPTIONS

