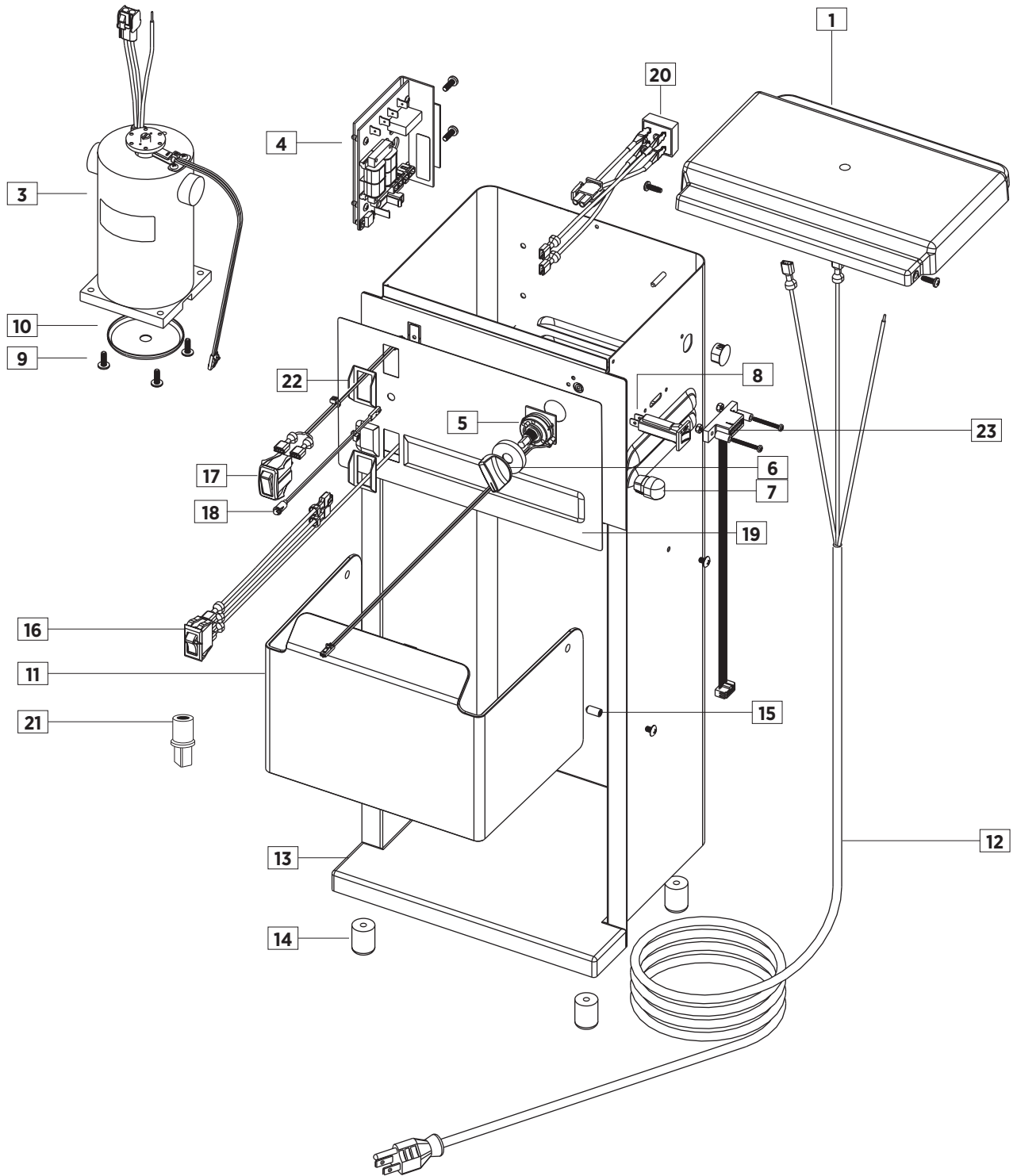


120V



Mix'n Machine® Advance® Programmable Price List
-120V McDonald's



Effective for units as listed below:

ITEM NUMBER	DESCRIPTION
056393	MM ADV/120V/ON COUNTER
060464	MM ADV/120V/ON COUNTER/NON US

Pricing effective January 1, 2019

No.	Part Number	Description	Qty/ Pack	List Price (USD)
1	068691	MCDONALDS LID KIT W/3 POP RIVETS	1	\$39.68
2	N/A			
3	030035	ADVANCE MOTOR ASSEMBLY	1	\$484.53
4	068451	UNIVERSAL CONTROLLER BOARD	1	\$186.62
5	015731	SELECTOR SWITCH	1	\$60.34
6	015732	CONTROL KNOB	1	\$6.55
7	015743	POWER CORD STRAIN RELIEF	1	\$3.28
8	030012	3 AMP CIRCUIT BREAKER	1	\$15.59
9	030013	MOTOR MOUNTING SCREWS (4)	4	\$4.61
10	030014	SLINGER	1	\$7.66
12	030049	POWER CORD	1	\$40.75
13	030053	STAINLESS STEEL FRAME	1	\$674.01
14	001240	PLUGGED FOOT ASSEMBLY (4)	4	\$16.44
15	030020	PIVOT PINS (4)	4	\$10.94
16	066632	CYCLE START SWITCH	1	\$27.36
17	030045	LIGHTED ON/OFF SWITCH	1	\$30.10
18	030048	LED INDICATOR LIGHT	1	\$30.36
19	068795	MCD MM ADV FACEPLATE LABEL (1)	1	\$31.61
20	030039	RECTIFIER BRIDGE WITH WIRES	1	\$35.82
21	000080	REMOVABLE AGITATOR	1	\$26.14
22	030022	SWITCH GUARD	1	\$5.48
23	015746	MEMORY CABLE	1	\$25.15