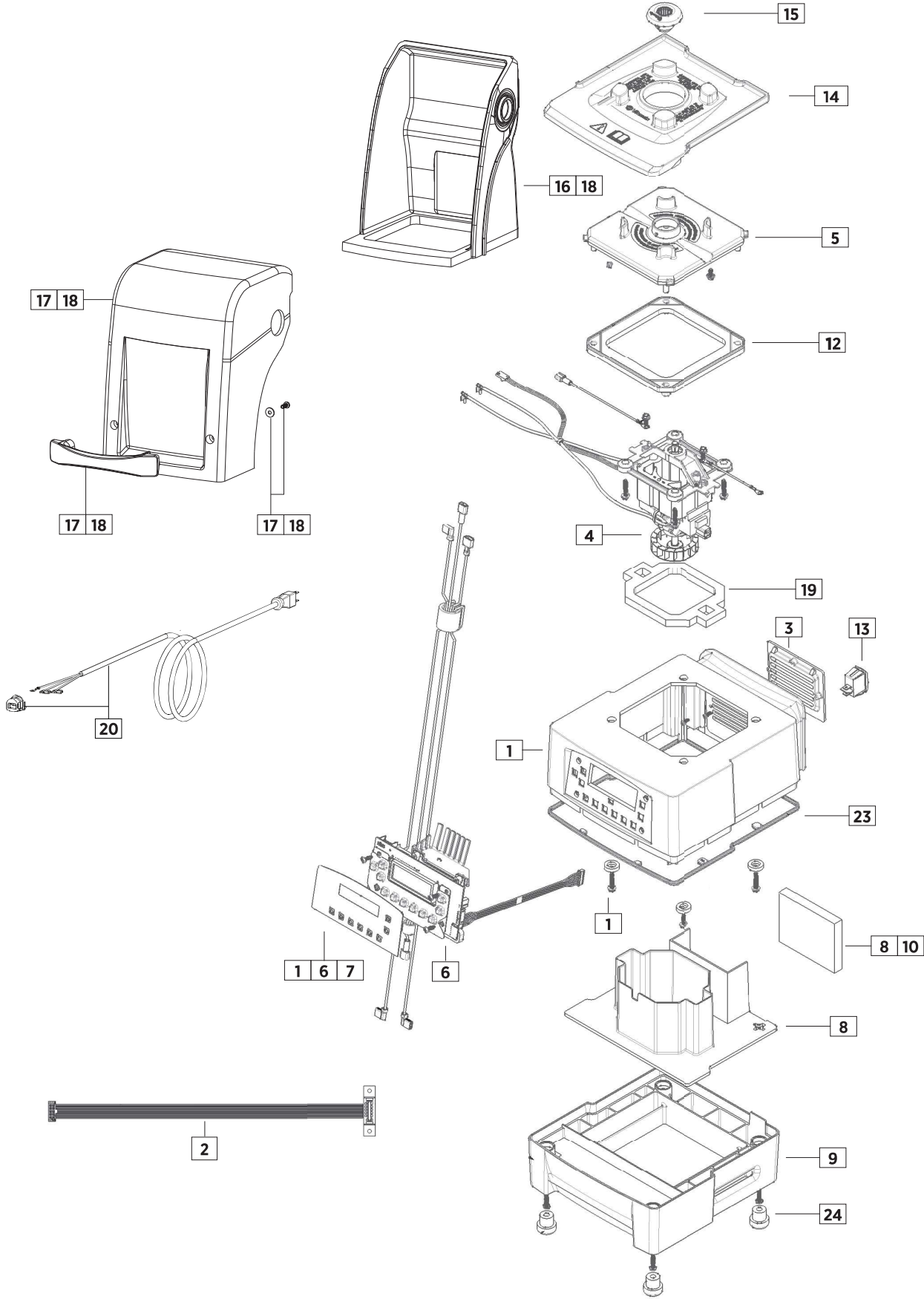


The Quiet One Twist Lock 120V





The Quiet One® On-Counter Twist Lock Parts List 120V

134584 Rev 09/2024
Reference Exploded Diagram: 134585

ITEM NUMBER	DESCRIPTION	START DATE:	END DATE:	END SUPPORT
036019-ABAB	TQO/TL/48 OZ ADV/120V:PGM000	Jul-20	-	
036019-ABEB	TQO/TL/48 OZ ADV/120V/MX:PGM000	Jun-21	-	
068515-BBAB	TQO/TL/48OZ ADV/ONE PIECE LID/120V:PGM000	May-23	-	

No.	Part Number	Description	Qty/ Pack
1	068111	UPPER HOUSING ASSEMBLY (WITH NAME PLATE)	1
2	015370	MEMORY CABLE	1
3	066579	GRILL ASSEMBLY	1
4	066580	120V MOTOR ASSEMBLY	1
5	015288	UNIVERSAL 120V CASTING ASSEMBLY W/O MOTOR	1
6	068112	TQO 120V TWIST LOCK /COLD FOAM DISPLAY BOARD	1
7	068137	TQO UNIVERSAL OVERLAY	1
8	015291	MOTOR SHROUD ASSEMBLY	1
9	066582	TQO LOWER HOUSING ASSEMBLY	1
10	015293	TQO FOAM KIT	1
11	015294	TQO UNIVERSAL HARDWARE KIT	1
12	060065	TQO MOTOR PLATE GASKET SERVICE KIT	1
13	015786	20 AMP ON/OFF SWITCH	1
14	067876	TWIST LOCK CENTERING PAD	1
15	000891	DRIVE SOCKET ASSEMBLY	1
16	067877	REAR SOUND COVER - TWIST LOCK	1
17	015081	TQO DOOR ONLY (W/HANDLE)	1
18	067879	TQO SOUND ENCLOSURE ASSEMBLY COMPLETE - TWIST LOCK	1
19	015778	TQO ON COUNTER/MOTOR GASKET/MOLDED	1
20	015787	120V/15A POWER CORD	1
23	066583	HOUSING SEAL	1
24	000794	FEET	4 PK