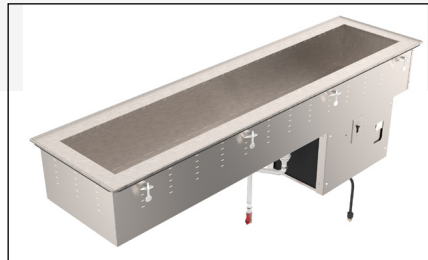


Operator's Manual

NSF7 REFRIGERATED, STANDARD REFRIGERATED, SHORT SIDE AND NON-REFRIGERATED DROP-INS



Item	Description	HP	Voltage	Amps	Plug	Item	Description	HP	Voltage	Amps	Plug
36456	NSF7 One-pan	1/5 hp	120V	3.8	5-15P	36441R	Two-pan	--	--	--	--
36429	NSF7 Two-pan	1/4 hp	120V	3.8	5-15P	36442R	Three-pan	--	--	--	--
36430	NSF7 Three-pan	1/4 hp	120V	4.9	5-15P	36444R	Four-pan	--	--	--	--
36434	NSF7 Four-pan	1/3 hp	120V	7.2	5-15P	36446R	Five-pan	--	--	--	--
36436	NSF7 Five-pan	1/2 hp	120V	11.0	5-20P	36448R	Six-pan	--	--	--	--
36438	NSF7 Six-pan	1/2 hp	120V	11.0	5-20P	36652	Two-pan	1/4 hp	120V	4.9	5-15P
36490	One-pan	1/5 hp	120V	3.8	5-15P	36655	Three-pan	1/4 hp	120V	4.9	5-15P
36456R	NSF7 One-pan	--	--	--	--	36658	Four-pan	1/2 hp	120V	4.9	5-15P
36429R	NSF7 Two-pan	--	--	--	--	36653	NSF7 Two-pan	1/4 hp	120V	4.9	5-15P
36430R	NSF7 Three-pan	--	--	--	--	36656	NSF7 Three-pan	1/4 hp	120V	14.9	5-15P
36434R	NSF7 Four-pan	--	--	--	--	36659	NSF7 Four-pan	1/2 hp	120V	14.9	5-15P
36436R	NSF7 Five-pan	--	--	--	--	36491	One-pan	Non-Refrigerated			
36438R	NSF7 Six-pan	--	--	--	--	36450	Two-pan	Non-Refrigerated			
36490	One-pan	1/5 hp	120V	3.8	5-15P	36451	Three-pan	Non-Refrigerated			
36441	Two-pan	1/5 hp	120V	3.8	5-15P	36452	Four-pan	Non-Refrigerated			
36442	Three-pan	1/5 hp	120V	3.8	5-15P	36453	Five-pan	Non-Refrigerated			
36444	Four-pan	1/4 hp	120V	4.9	5-15P	36454	Six-pan	Non-Refrigerated			
36446	Five-pan	1/4 hp	120V	4.9	5-15P	36654	Two-pan	Non-Refrigerated			
36448	Six-pan	1/3 hp	120V	7.2	5-15P	36657	Three-pan	Non-Refrigerated			
36490R	One-pan	--	--	--	--	36660	Four-pan	Non-Refrigerated			

Thank you for purchasing this Vollrath equipment. Before operating the equipment, read and familiarize yourself with the following operating and safety instructions. **SAVE THESE INSTRUCTIONS FOR FUTURE REFERENCE.** Save the original box and packaging. Use this packaging to ship the equipment if repairs are needed.

SAFETY PRECAUTIONS

To ensure safe operation, read the following statements and understand their meaning. Please read carefully.

WARNING

Warning is used to indicate the presence of a hazard that *can* cause severe personal injury, death, or substantial property damage if the warning is ignored.

CAUTION

Caution is used to indicate the presence of a hazard that *will or can* cause *minor* personal injury or property damage if the caution is ignored.

NOTE

Note is used to notify people of installation, operation, or maintenance information that is important but not hazard-related.

For Your Safety!

These precautions should be followed at all times. Failure to follow these precautions could result in injury to yourself and others.

To reduce risk of injury or damage to the equipment:

- Use only grounded electrical outlets matching the nameplate rated voltage.
- Have the equipment installed by qualified personnel.
- Do not use an extension cord with this equipment. Do not plug this equipment into a power strip or multi-outlet power cord.
- Unit should only be used in a flat, level position.
- Do not spray controls or outside of equipment with liquids or cleaning agents.
- Do not clean the equipment with steel wool.
- Keep equipment and power cord away from open flames, electric burners or excessive heat.
- Do not operate unattended.
- Do not operate equipment in public areas and/or around children.
- Do not operate if equipment has been damaged or is malfunctioning in any way.

FUNCTION AND PURPOSE

This unit is intended to hold containers of pre-chilled cold food at the proper serving temperature for service. This unit is not designed or intended to cool hot food or cool any item not properly chilled before being placed in the unit. Refrigerated cold pans are best used for holding periods up to four hours. For best performance, stainless steel containers are recommended.

Before using this equipment it must be cleaned and dried thoroughly.

This equipment is not intended for household, industrial or laboratory use.

UNPACKING THE EQUIPMENT AND INITIAL SETUP

When no longer needed, dispose of all packaging and materials in an environmentally responsible manner.

1. Remove all packing material and tape, as well as any protective plastic from the equipment.
2. Clean any glue residue left over from the plastic or tape.

NOTE

The refrigerated models must be provided with adequate ventilation. The minimum requirement is the equivalent of 80 square inches (516 cm²) of air exhaust.

Have the unit installed only by qualified service personnel. The cutout opening in counter must be in accordance with the chart below. All openings must be within 1/8" of the stated dimension and have a 7/8" radius at the corners. Use the watertight gasket provided to seal between counter and unit to prevent water from leaking into control areas.

NOTE

All cutout openings must be within 1/8" of listed opening sizes and have a corner radius of 7/8". Cutout dimensions given in inches and (cm).

3. Refer to the *Cutout Dimension Chart* in this Operator's Manual for cutout dimensions.
4. Place the watertight gasket over the cut-out and center the well.
5. Tighten the thumbscrews (C) slowly and in an alternating pattern to evenly compress the gasket. See Figure 1. The gasket should create a even gap between the well and the mounting surface.

FEATURES AND CONTROLS

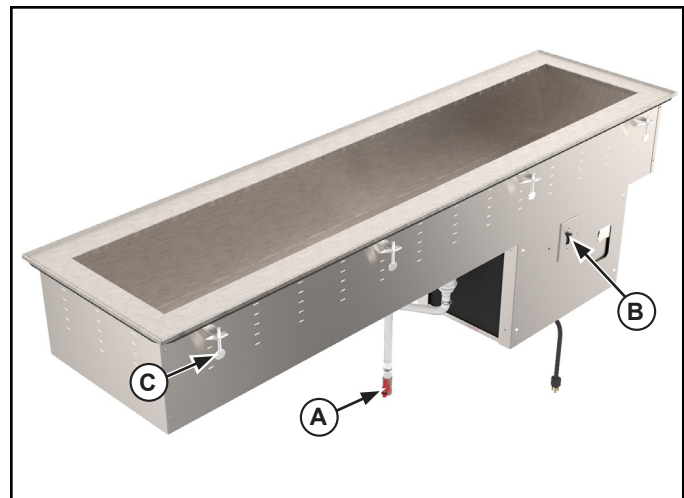




Figure 1. Features and Controls.

- (A) **DRAIN VALVE.** Used to empty water from the well(s).
- (B) **ON/OFF SWITCH (some models).** Switches the equipment power ON or OFF.
- (C) **THUMBSCREW.** Secures the unit to the mounting surface.

OPERATION

	 WARNING
	Electrical Shock Hazard. Keep water and other liquids from entering the inside of the unit. Liquid inside the unit could cause an electrical shock. Do not damaged power cord.
Do not over fill wells, pans or trays. Liquid could contact the electrical components and cause a short circuit or an electrical shock. Unplug unit before performing service, draining or removing spillage pans and trays. Do not spray water or cleaning products. Do not use a power cord that has been modified or damaged.	

REFRIGERATED UNITS:

1. Check the drain valve (A) to verify it is in the CLOSED position to prevent water from draining out. See Figure 1. The valve is in the CLOSED position when the handle of the valve forms a “T” with the body of the valve.
2. Plug the equipment into a properly grounded electrical supply matching the nameplate rating. Damage to the equipment can occur if incorrect power is supplied to equipment.
3. Turn the power switch (B) to the “ON” position. This unit does not have an adjustable temperature setting. Allow the unit to run for approximately 30 minutes. For the best performance when using ice with this unit, allow unit to run for approximately 2 hours before adding ice. This will help the ice remain solid.
4. Place containers of properly chilled food into the pre-chilled unit.
5. Regularly check the food temperature.

NOTE:

Monitor food temperature closely for food safety. The United States Public Health Service recommends that hot food be held at a maximum of 41 °F (5 °C) to help prevent bacteria growth.

6. When finished using the unit turn the power switch (B) to the “OFF” position. Remove the food containers.
7. Open the drain valve (A) and drain the water. The valve is in the OPEN position when the handle of the valve is aligned with the body of the valve.
8. Close the drain valve. Rotate the valve to the CLOSED position, when the handle of the valve forms a “T” with the body of the valve.

NON-REFRIGERATED UNITS:

1. Check the drain valve (A) to verify it is in the CLOSED position to prevent water from draining out. The valve is in the CLOSED position when the handle of the valve forms a “T” with the body of the valve.
1. Place ice into the non-refrigerated well. For best performance allow unit to cool for approximately 1 hour before using.
2. Place containers of properly chilled food into the pre-chilled unit.
3. Regularly check the food temperature.

NOTE:

Monitor food temperature closely for food safety. The United States Public Health Service recommends that hot food be held at a maximum of 41 °F (5 °C) to help prevent bacteria growth.



4. When finished using the unit, remove the food containers.
5. Open the drain valve (A) and drain the water. The valve is in the OPEN position when the handle of the valve is aligned with the body of the valve.
6. Close the drain valve (A). Rotate the valve to the CLOSED position, when the handle of the valve forms a “T” with the body of the valve.

CLEANING

To maintain the appearance and increase the service life, clean your equipment daily.

NOTE:

Do not use caustic cleaning chemicals, steel wool or commercial lime removal products to clean the equipment. Thoroughly rinse equipment with water after cleaning.

	 WARNING
	Electrical Shock Hazard. Keep water and other liquids from entering the inside of the unit. Liquid inside the unit could cause an electrical shock. Do not damaged power cord.
Do not over fill wells, pans or trays. Liquid could contact the electrical components and cause a short circuit or an electrical shock. Unplug unit before performing service, draining or removing spillage pans and trays. Do not spray water or cleaning products. Do not use a power cord that has been modified or damaged.	

1. When finished using the unit turn the power switch (B) to the “OFF” position. Remove the food containers.
2. Open the drain valve (A) and drain the water. The valve is in the OPEN position when the handle of the valve is aligned with the body of the valve.
3. Using a damp cloth, sponge dipped in soapy water to clean the inside of the well and the outside of the equipment.
4. Close the drain valve (A). Rotate the valve to the CLOSED position, when the handle of the valve forms a “T” with the body of the valve.

TROUBLESHOOTING CHART

Problem	It might be caused by	Course of Action
Unit does not get to correct temperature.	Unit is not plugged in.	Plug unit in.
	Compressor defective.	Have the compressor replaced.

SERVICE AND REPAIR

There are no user serviceable parts within this appliance. To avoid serious injury or damage, never attempt to repair the equipment or replace a damaged power cord yourself. Do not send equipment directly to the Vollrath Company. Please contact the qualified professional repair service listed below.

VOLLRATH Technical Service • 1-800-628-0832

CUTOUT DIMENSIONS CHART FOR NSF7 REFRIGERATED, STANDARD REFRIGERATED, SHORT SIDE AND NON-REFRIGERATED DROP-INS

CUTOUT dimensions given in inches and (cm).

Item	Cutout Dimensions
36456	17-1/4 x 25-1/4 (43.8 x 64.1)
36429	28-1/4 x 25-1/4 (71.8 x 64.1)
36430	40-3/4 x 25-1/4 (103.5 x 64.1)
36434	54 x 25-1/4 (137.2 x 64.1)
36436	67-1/4 x 25-1/4 (170.8 x 64.1)
36438	80-1/2 x 25-1/4 (204.5 x 64.1)
36456R	17-1/4 x 25-1/4 (43.8 x 64.1)
36429R	28-1/4 x 25-1/4 (71.8 x 64.1)
36430R	40-3/4 x 25-1/4 (103.5 x 64.1)
36434R	54 x 25-1/4 (137.2 x 64.1)
36436R	67-1/4 x 25-1/4 (170.8 x 64.1)
36438R	80-1/2 x 25-1/4 (204.5 x 64.1)
36490	14-1/4 x 25-1/4 (36.2 x 64.1)
36441	28-1/4 x 25-1/4 (71.8 x 64.1)
36442	40-3/4 x 25-1/4 (103.5 x 64.1)
36444	54 x 25-1/4 (137.2 x 64.1)
36446	67-1/4 x 25-1/4 (170.8 x 64.1)
36448	80-1/2 x 25-1/4 (204.5 x 64.1)
36490R	14-1/4 x 25-1/4 (36.2 x 64.1)
36441R	28-1/4 x 25-1/4 (71.8 x 64.1)
36442R	40-3/4 x 25-1/4 (103.5 x 64.1)

Item	Cutout Dimensions
36444R	54 x 25-1/4 (137.2 x 64.1)
36446R	67-1/4 x 25-1/4 (170.8 x 64.1)
36448R	80-1/2 x 25-1/4 (204.5 x 64.1)
36652	44-11/16 x 17-5/16 (113.5 x 44)
36655	66-1/8 x 17-5/16 (168 x 44)
36658	87-9/16 x 17-5/16 (222.4 x 44)
36653	44-11/16 x 17-5/16 (113.5 x 44)
36656	66-1/8 x 17-5/16 (168 x 44)
36659	87-9/16 x 17-5/16 (222.4 x 44)
36491	14-1/4 x 25-1/4 (36.2 x 64.1)
36450	28-1/4 x 25-1/4 (71.8 x 64.1)
36451	40-3/4 x 25-1/4 (103.5 x 64.1)
36452	54 x 25-1/4 (137.2 x 64.1)
36453	67-1/4 x 25-1/4 (170.8 x 64.1)
36454	80-1/2 x 25-1/4 (204.5 x 64.1)
36654	44-11/16 x 17-5/16 (113.5 x 44)
36657	66-1/8 x 17-5/16 (168 x 44)
36660	87-1/2 x 17-5/16 (222.4 x 44)

WARRANTY STATEMENT FOR THE VOLLRATH CO. L.L.C.

The Vollrath Company LLC warrants the products it manufactures and distributes against defects in materials and workmanship for a period of one year, except as specifically provided below. The warranty runs 12 months from the date of original installation. (End user receipt)

1. Refrigeration compressors – The warranty period is 5 years.
2. Replacement parts – The warranty period is 90 days.
3. Fry pans and coated cookware – The warranty period is 90 days
4. EverTite™ Riveting System – The warranty covers loose rivets only, forever.
5. Cayenne® Heat Strips – The warranty period is 1 year plus an additional 1 year period on heating element parts only.
6. Ultra and Professional Induction Ranges – The warranty period is 2 years.
7. Mirage and Commercial Induction ranges - The warranty period is 1 year.
8. ServeWell® Induction Workstations – The warranty period is one year on the workstation table and 2 years on induction hobs.
9. Slicers – The warranty period is 10 years on gears and 5 years on belts.
10. Mixers – The warranty period is 2 years.
11. Extended warranties are available at the time of sale.
12. Vollrath – Redco products – The warranty period is 2 years.
13. Optio / Arkadia product lines – The warranty period is 90 days.
14. All non-stick products (i.e. fry pans and surfaces) are 90 days for the non stick surfaces.

All products in the Jacob's Pride® collection, including the following, have a lifetime warranty:

- NSF Certified One-Piece Dishes
- NSF Certified Spoodle® Utensils
- NSF Certified Heavy-Duty Spoons with Ergonomic Handle
- NSF Certified Heavy-Duty Basting Spoons
- Heavy duty Turners with Ergonomic handle
- One-Piece Tongs*
- Heavy-Duty One-Piece Ladles*
- Nylon Handle Whips
- One-Piece Skimmers
- Tribute®, Intrigue®, and Classic Select® Cookware*

*Jacob's Pride® warranty does not cover Kool-Touch®, non stick coatings and silicone handles.

Items sold having no warranty:

- Meat Grinder Knives
- Light Bulbs in Convection Ovens and Hot Food Merchandiser
- Oven Door Seals
- Oven Door Glass
- Hot Food Merchandisers / Display Case Glass
- Calibration and set up of gas equipment
- Slicer / Dicer blades (table top food prep) – Redco and Vollrath

THIS WARRANTY IS IN LIEU OF ANY OTHER WARRANTIES, EXPRESS OR IMPLIED, INCLUDING ANY IMPLIED WARRANTY OF MERCHANTABILITY OR FITNESS FOR A PARTICULAR PURPOSE

As The Vollrath Company LLC's only responsibility and the purchaser's only remedy, for any breach of warranty, The Vollrath Company LLC will repair or, at its option, replace the defective product or part without charge, except as otherwise provided below:

- For refrigeration compressors and the second year of the warranty on Cayenne® Heat Strips and mixers, The Vollrath Company LLC will provide the repaired or replacement part only; and the buyer will be responsible for all labor charges incurred in performing the repair or replacement.
- To obtain warranty service, the buyer will be responsible to return to The Vollrath Company LLC any product (other than gas equipment that is permanently installed) weighing less than 110 lbs. or located outside of a 50-mile radius of a certified technician designated by The Vollrath Company LLC to perform warranty repairs. If a Vollrath Technician cannot be contacted check the website for service contact points. (Please refer to the Product Catalogue for weights and sizes of product)
- No remedy will be available for products that have been damaged by accident, carelessness, improper installation, lack of proper setup or supervision when required, neglect, improper use, installation or operation contrary to installation and operating instructions or other causes not arising out of defects in materials or workmanship. At the buyer's request, The Vollrath Company LLC will repair and or replace such products at a reasonable cost.
- No remedy will be available for slicers where blade has not been sharpened (Refer to owner's manual for sharpening instructions)
- No remedy will be available for mixers damaged by changing gears while unit is running or overloading, in either case as determined by a Vollrath Certified Technician
- Warranty work must be authorized in advance by The Vollrath Company LLC. See the operating and safety instructions for each product for detailed warranty claim procedures.
- No remedy will be available for product returned and found to be acceptable to the product specification.
- No remedy will be available under any warranty not registered as required below.

LIMITATION OF LIABILITY:

THE VOLLRATH COMPANY LLC SHALL HAVE NO LIABILITY FOR INCIDENTAL OR CONSEQUENTIAL DAMAGES OF ANY KIND, WHETHER BASED UPON NEGLIGENCE OR OTHER TORT, BREACH OF WARRANTY, OR ANY OTHER THEORY.

WARRANTY PROCEDURE

On all warranty calls, the following process and information is required:

- All warranty claims will start with a call to Vollrath Technical Service support line.(800-354-1970).
- A technical support professional will work to diagnose the issues, and provide the details for the service solution.
- Name and phone number of person calling
- Business name, street address, city, state and zip
- Model and serial number
- Date of purchase and proof of purchase (Receipt)
- Name of dealer where unit was purchased

NOTE: Vollrath will not accept products sent without the proper procedure being followed.

Important:

TO MAKE A CLAIM FOR ANY REMEDY UNDER THIS WARRANTY, YOU MUST REGISTER YOUR WARRANTY.

REGISTER TODAY

ONLINE: Register your warranty on-line now at www.Vollrathco.com

NO WEB ACCESS: If you do not have access to the web, kindly register by completing the warranty registration form and faxing it to The Vollrath Co. LLC office in the country of purchase.

WARRANTY REGISTRATION			
BUSINESS NAME			
KEY CONTACT NAME		EMAIL	
STREET ADDRESS			
CITY	STATE	ZIP CODE	
COUNTRY	PHONE	FAX	
MODEL		ITEM NUMBER	
SERIAL NUMBER	<input type="text"/>	-	<input type="text"/>
OPERATION TYPE			
<input type="checkbox"/> Limited Service Restaurant	<input type="checkbox"/> Full Service Restaurant	<input type="checkbox"/> Bars and Taverns	<input type="checkbox"/> Supermarket
<input type="checkbox"/> Convenience Store	<input type="checkbox"/> Recreation	<input type="checkbox"/> Hotel/Lodging	<input type="checkbox"/> Airlines
<input type="checkbox"/> Business/Industry	<input type="checkbox"/> Primary/Secondary School	<input type="checkbox"/> Colleges/University	<input type="checkbox"/> Hospitals
<input type="checkbox"/> Long-Term Care	<input type="checkbox"/> Senior Living	<input type="checkbox"/> Military	<input type="checkbox"/> Corrections
REASON FOR SELECTING OUR PRODUCT			
<input type="checkbox"/> Appearance	<input type="checkbox"/> Full Service Restaurant	<input type="checkbox"/> Availability	<input type="checkbox"/> Sellers Recommendation
<input type="checkbox"/> Ease of Operation	<input type="checkbox"/> Versatility of Use	<input type="checkbox"/> Price	<input type="checkbox"/> Brand
WOULD YOU LIKE TO RECEIVE OUR FULL-LINE CATALOG AND REMAIN ON OUR MAILING LIST?			<input type="checkbox"/> Yes <input type="checkbox"/> No

ENGLISH



www.vollrathco.com

The Vollrath Company, L.L.C.
1236 North 18th Street
Sheboygan, WI 53081-3201
U.S.A.

Main Tel: 920.457.4851
Fax: 800.752.5620

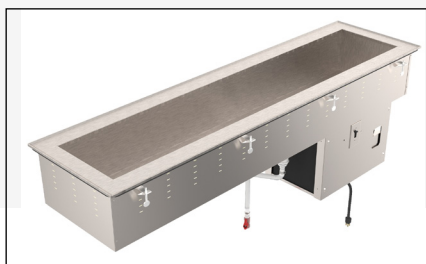
Technical Services: 800.628.0832
Service Fax: 920.459.5462

Canada Service: 800.695.8560

© 2013 The Vollrath Company, L.L.C.

Manuel d'utilisation

ENCASTRABLES RÉFRIGÉRÉS NSF7, RÉFRIGÉRÉS STANDARD, ÉTROITS ET NON RÉFRIGÉRÉS



Art.	Description	HP	V	A	Fiche
36456	NSF7 Un bac	1/5 hp	120V	3.8	5-15P
36429	NSF7 Deux bacs	1/4 hp	120V	3.8	5-15P
36430	NSF7 Trois bacs	1/4 hp	120V	4.9	5-15P
36434	NSF7 Quatre bacs	1/3 hp	120V	7.2	5-15P
36436	NSF7 Cinq bacs	1/2 hp	120V	11.0	5-20P
36438	NSF7 Six bacs	1/2 hp	120V	11.0	5-20P
36456R	NSF7 Un bac	--	--	--	--
36429R	NSF7 Deux bacs	--	--	--	--
36430R	NSF7 Trois bacs	--	--	--	--
36434R	NSF7 Quatre bacs	--	--	--	--
36436R	NSF7 Cinq bacs	--	--	--	--
36438R	NSF7 Six bacs	--	--	--	--
36490	Un bac	1/5 hp	120V	3.8	5-15P
36441	Deux bacs	1/5 hp	120V	3.8	5-15P
36442	Trois bacs	1/5 hp	120V	3.8	5-15P
36444	Quatre bacs	1/4 hp	120V	4.9	5-15P
36446	Cinq bacs	1/4 hp	120V	4.9	5-15P
36448	Six bacs	1/3 hp	120V	7.2	5-15P
36490R	Un bac	--	--	--	--
36441R	Deux bacs	--	--	--	--

Art.	Description	HP	V	A	Fiche
36442R	Trois bacs	--	--	--	--
36444R	Quatre bacs	--	--	--	--
36446R	Cinq bacs	--	--	--	--
36448R	Six bacs	--	--	--	--
36652	Deux bacs	1/4 hp	120V	4.9	5-15P
36655	Trois bacs	1/4 hp	120V	4.9	5-15P
36658	Quatre bacs	1/2 hp	120V	4.9	5-15P
36653	NSF7 Deux bacs	1/4 hp	120V	4.9	5-15P
36656	NSF7 Trois bacs	1/4 hp	120V	14.9	5-15P
36659	NSF7 Quatre bacs	1/2 hp	120V	14.9	5-15P
36491	Un bac				
36450	Deux bacs				
36451	Trois bacs				
36452	Quatre bacs				
36453	Cinq bacs				
36454	Six bacs				
36654	Deux bacs				
36657	Trois bacs				
36660	Quatre bacs				

Merci d'avoir acheté cet appareil Vollrath. Avant d'utiliser cet appareil, lisez et familiarisez-vous avec le mode d'emploi et les consignes d'utilisation qui suivent. CONSERVEZ CES INSTRUCTIONS POUR RÉFÉRENCE ULTÉRIEURE. Conservez l'emballage et le carton d'origine. L'emballage devra être réutilisé pour expédier l'appareil si une réparation est nécessaire.

CONSIGNES DE SÉCURITÉ

Pour garantir un fonctionnement sûr, lisez les avertissements suivants et comprenez leur signification. Lisez-les attentivement.



AVERTISSEMENT

Un avertissement indique la présence d'un danger qui *peut* causer des blessures graves, un décès ou des dégâts matériels importants s'il est ignoré.



ATTENTION

Une mise en garde indique la présence d'un danger qui *causera* ou *pourra causer* des blessures mineures ou des dégâts matériels si elle est ignorée.

REMARQUE

Une remarque signale des informations importantes sur l'installation, l'utilisation et la maintenance mais ne présentant pas de danger.

Pour votre sécurité !

Ces consignes de sécurité doivent être suivies à tout moment sous peine de blessures.

Pour réduire le risque de blessures et d'endommagement de l'appareil :

- Utilisez l'appareil uniquement sur une prise de terre correspondant à la tension nominale de la plaque signalétique.
- Faites installer par un personnel qualifié.
- N'utilisez pas de rallonge électrique avec cet appareil. Ne branchez pas cet appareil sur une barrette d'alimentation ou un cordon d'alimentation à prises multiples.
- Cet appareil doit uniquement être utilisé en position horizontale.
- Ne vaporisez pas les commandes ou l'extérieur de l'appareil avec des liquides ou des produits nettoyants.
- Ne nettoyez pas l'appareil à la laine d'acier.
- Tenez l'appareil et son cordon d'alimentation à l'écart des flammes nues, des brûleurs électriques ou d'une chaleur excessive.
- N'utilisez pas l'appareil sans eau.
- N'utilisez pas l'appareil dans des lieux publics et/ou à proximité d'enfants.
- N'utilisez pas l'appareil s'il a été endommagé ou s'il fonctionne mal.

FONCTION ET OBJET

Cet appareil est destiné au maintien des aliments froids prérefroidis aux températures de service adéquates. Il n'est pas destiné à refroidir des aliments chauds ou tout produit non correctement refroidi avant d'être mis dans l'appareil. Les bacs froids réfrigérés s'utilisent de préférence pour des périodes de maintien au froid de 4 heures maximum. Pour une performance optimale, des bacs inox sont recommandés.

Avant d'utiliser cet appareil, il doit être minutieusement nettoyé et essuyé.

Cet appareil n'est pas prévu pour une utilisation ménagère, industrielle ou en laboratoire.

DÉBALLAGE ET INSTALLATION INITIALE

Lorsque vous n'en avez plus besoin, jetez tout le matériel d'emballage en respectant l'environnement.

1. Enlevez tout le matériel d'emballage et le ruban adhésif, ainsi que le plastique de protection.
2. Nettoyez les résidus de colle du plastique ou du ruban adhésif.

REMARQUE

Les modèles réfrigérés doivent disposer d'une ventilation adéquate. L'exigence minimum est l'équivalent de 516 cm² (80 po²) d'évacuation d'air.

Confiez l'installation à un personnel qualifié. La découpe dans le comptoir doit être conforme au tableau ci-dessous. Toutes les ouvertures doivent être de ± 3 mm (1/8 po) par rapport à la dimension indiquée et avoir un rayon de 22 mm (7/8 po) aux angles. Utilisez le joint étanche fourni pour rendre étanche l'interface entre le comptoir et l'appareil afin d'éviter l'infiltration d'eau dans la zone des commandes.

REMARQUE

Toutes les découpes doivent être de ± 3 mm (1/8 po) par rapport à la dimension d'ouverture indiquée et avoir un rayon de 22 mm (7/8 po) aux angles. Dimensions de coupe-circuit données en pouces et (cm).

3. Référez-vous au diagramme de dimension de coupe-circuit en manuel de cet opérateur pour des dimensions de coupe-circuit.
4. Placez le joint étanche pardessus la découpe et centrez le compartiment.
5. Serrez progressivement les vis à oreilles (C) et en alternance pour compresser uniformément le joint. Voir la figure 1. Le joint doit créer un espace égal entre le compartiment et la surface de fixation.

CARACTÉRISTIQUES ET COMMANDES

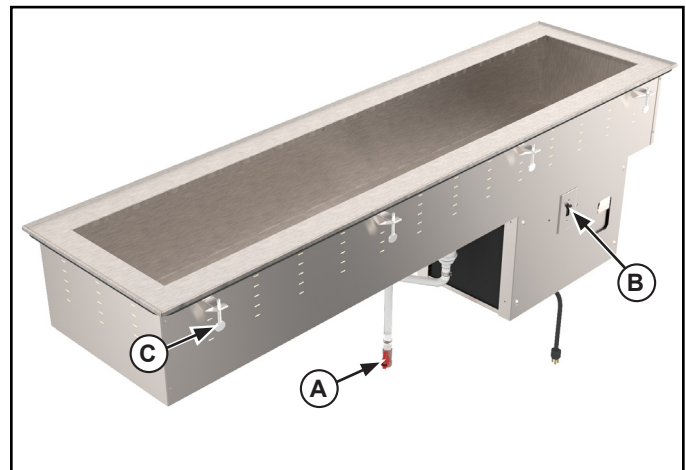



Figure 1. Caractéristiques et commandes

- (A) **ROBINET DE VIDANGE.** Permet de vider l'eau du ou des compartiments.
- (B) **INTERRUPTEUR DE MARCHE/ARRÊT (certains modèles).** Permet la mise en marche et l'arrêt de l'appareil.
- (C) **VIS À OREILLES.** Attachent l'appareil à la surface de fixation.

MODE D'EMPLOI

	AVERTISSEMENT
	Risque d'électrocution. Empêchez toute infiltration d'eau et autres liquides dans l'appareil. L'infiltration liquide dans l'appareil risque de causer une électrocution. N'utilisez pas de cordon d'alimentation endommagé.

Ne remplissez pas trop les compartiments, les bacs ou les plateaux. Du liquide risque d'entrer en contact avec les composants électriques et de causer un court-circuit ou une décharge électrique. Débranchez l'appareil avant toute maintenance, vidange ou retrait des bacs à eaux et plateaux. Ne vaporisez pas d'eau ou de produits nettoyants.

MODÈLES RÉFRIGÉRÉS :

1. Vérifiez le robinet de vidange (A) pour vous assurer qu'il est en position FERMÉE pour éviter la vidange d'eau. Voir la figure 1. Le robinet est en position FERMÉE quand la poignée du robinet forme un T avec le corps du robinet.
2. Branchez l'appareil sur une prise électrique correctement mise à la terre correspondant aux valeurs indiquées sur la plaque signalétique. L'appareil risque d'être abîmé s'il est alimenté par une alimentation non conforme.
3. Placez l'interrupteur (B) en position Marche. Cet appareil n'a pas de thermostat. Laissez fonctionner l'appareil pendant 30 minutes environ. Pour la meilleure performance en utilisant de la glace avec cet appareil, laissez fonctionner l'appareil pendant 2 heures environ avant d'ajouter de la glace. Ceci permettra à la glace de rester solide.
4. Placez les bacs contenant les aliments correctement réfrigérés dans l'appareil prérefroidi.
5. Vérifiez régulièrement la température des aliments.

REMARQUE :

Surveillez de près la température des aliments pour maintenir la sécurité des aliments. Les services d'hygiène publique des États-Unis préconisent le maintien des aliments chauds à 5 °C (41 °F) maximum pour éviter la prolifération des bactéries.

1. Une fois que vous aurez fini d'utiliser l'appareil, mettez l'interrupteur (B) en position Arrêt. Enlevez les bacs d'aliment.
2. Ouvrez le robinet de vidange (A) et videz l'appareil de son eau. Le robinet est en position OUVERTE quand la poignée du robinet est alignée sur le corps du robinet.
3. Fermez le robinet de vidange. Tournez le robinet en position FERMÉE - la poignée du robinet forme un T avec le corps du robinet.

MODÈLES NON RÉFRIGÉRÉS :

1. Vérifiez le robinet de vidange (A) pour vous assurer qu'il est en position FERMÉE pour éviter la vidange d'eau. Le robinet est en position FERMÉE quand la poignée du robinet forme un T avec le corps du robinet.
2. Mettez de la glace dans le compartiment non réfrigéré. Pour une performance optimale, laissez refroidir l'appareil pendant 1 heure environ avant utilisation.
3. Placez les bacs contenant les aliments correctement réfrigérés dans l'appareil prérefroidi.
4. Vérifiez régulièrement la température des aliments.

REMARQUE :

Surveillez de près la température des aliments pour maintenir la sécurité des aliments. Les services d'hygiène publique des États-Unis préconisent le maintien des aliments chauds à 41 °F (5 °C) maximum pour éviter la prolifération des bactéries.

5. Une fois que vous aurez fini d'utiliser l'appareil, retirez les bacs d'aliment.
6. Ouvrez le robinet de vidange (A) et videz l'appareil de son eau. Le robinet est en position OUVERTE quand la poignée du robinet est alignée sur le corps du robinet.
7. Fermez le robinet de vidange (A). Tournez le robinet en position FERMÉE - la poignée du robinet forme un T avec le corps du robinet.

NETTOYAGE

Pour maintenir l'appareil et augmenter la durée de service, nettoyez chaque jour l'appareil.

REMARQUE :

N'utilisez pas de produits chimiques nettoyants caustiques, de laine d'acier ou de détartrants commerciaux pour nettoyer l'appareil. Rincez minutieusement l'appareil à l'eau après nettoyage.

	AVERTISSEMENT
	Risque d'électrocution. Empêchez toute infiltration d'eau et autres liquides dans l'appareil. L'infiltration liquide dans l'appareil risque de causer une électrocution. N'utilisez pas de cordon d'alimentation endommagé.

Ne remplissez pas trop les compartiments, les bacs ou les plateaux. Du liquide risque d'entrer en contact avec les composants électriques et de causer un court-circuit ou une décharge électrique. Débranchez l'appareil avant toute maintenance, vidange ou retrait des bacs à eaux et plateaux. Ne vaporisez pas d'eau ou de produits nettoyants.

8. Une fois que vous aurez fini d'utiliser l'appareil, mettez l'interrupteur (B) en position Arrêt. Enlevez les bacs d'aliment.
9. Ouvrez le robinet de vidange (A) et videz l'appareil de son eau. Le robinet est en position OUVERTE quand la poignée du robinet est alignée sur le corps du robinet.
10. À l'aide d'un chiffon humide ou d'une éponge trempée dans de l'eau savonneuse, nettoyez l'intérieur du compartiment et l'extérieur de l'appareil.
11. Fermez le robinet de vidange (A). Tournez le robinet en position FERMÉE - la poignée du robinet forme un T avec le corps du robinet.

TABLEAU DE DÉPANNAGE

Problème	La cause en est peut-être	Mesure corrective
L'appareil n'atteint pas la température correcte.	L'appareil n'est pas branché.	Branchez-le.
	Compresseur défectueux.	Faites remplacer le compresseur.

SAV ET RÉPARATIONS

Cet appareil ne contient aucune pièce réparable par l'utilisateur. Pour éviter toute blessure grave ou tout dommage sévère, n'essayez jamais de réparer l'appareil ou de remplacer vous-même un cordon d'alimentation endommagé. N'envoyez aucun appareil directement à la Vollrath Company. Contactez le service de réparation professionnel qualifié indiqué ci-dessous.

Service technique VOLLRATH • 1-800-628-0832

DIAGRAMME DE DIMENSION DE COUPE-CIRCUIT : ENCASTRABLES RÉFRIGÉRÉS NSF7, RÉFRIGÉRÉS STANDARD, ÉTROITS ET NON RÉFRIGÉRÉS

DIMENSIONS de coupe-circuit données en pouces et (cm).

Item	Cutout Dimensions
36456	17-1/4 x 25-1/4 (43.8 x 64.1)
36429	28-1/4 x 25-1/4 (71.8 x 64.1)
36430	40-3/4 x 25-1/4 (103.5 x 64.1)
36434	54 x 25-1/4 (137.2 x 64.1)
36436	67-1/4 x 25-1/4 (170.8 x 64.1)
36438	80-1/2 x 25-1/4 (204.5 x 64.1)
36456R	17-1/4 x 25-1/4 (43.8 x 64.1)
36429R	28-1/4 x 25-1/4 (71.8 x 64.1)
36430R	40-3/4 x 25-1/4 (103.5 x 64.1)
36434R	54 x 25-1/4 (137.2 x 64.1)
36436R	67-1/4 x 25-1/4 (170.8 x 64.1)
36438R	80-1/2 x 25-1/4 (204.5 x 64.1)
36490	14-1/4 x 25-1/4 (36.2 x 64.1)
36441	28-1/4 x 25-1/4 (71.8 x 64.1)
36442	40-3/4 x 25-1/4 (103.5 x 64.1)
36444	54 x 25-1/4 (137.2 x 64.1)
36446	67-1/4 x 25-1/4 (170.8 x 64.1)
36448	80-1/2 x 25-1/4 (204.5 x 64.1)
36490R	14-1/4 x 25-1/4 (36.2 x 64.1)
36441R	28-1/4 x 25-1/4 (71.8 x 64.1)
36442R	40-3/4 x 25-1/4 (103.5 x 64.1)

Item	Cutout Dimensions
36444R	54 x 25-1/4 (137.2 x 64.1)
36446R	67-1/4 x 25-1/4 (170.8 x 64.1)
36448R	80-1/2 x 25-1/4 (204.5 x 64.1)
36652	44-11/16 x 17-5/16 (113.5 x 44)
36655	66-1/8 x 17-5/16 (168 x 44)
36658	87-9/16 x 17-5/16 (222.4 x 44)
36653	44-11/16 x 17-5/16 (113.5 x 44)
36656	66-1/8 x 17-5/16 (168 x 44)
36659	87-9/16 x 17-5/16 (222.4 x 44)
36491	14-1/4 x 25-1/4 (36.2 x 64.1)
36450	28-1/4 x 25-1/4 (71.8 x 64.1)
36451	40-3/4 x 25-1/4 (103.5 x 64.1)
36452	54 x 25-1/4 (137.2 x 64.1)
36453	67-1/4 x 25-1/4 (170.8 x 64.1)
36454	80-1/2 x 25-1/4 (204.5 x 64.1)
36654	22-11/16 x 17-5/16 (113.5 x 44)
36657	66-1/8 x 17-5/16 (168 x 44)
36660	87-1/2 x 17-5/16 (222.4 x 44)



GARANTIE DE LA VOLLRATH Co. L.L.C.

La Vollrath Company L.L.C. garantit que les produits qu'elle fabrique et distribue seront dépourvus de vices de matériaux et de fabrication pendant une période d'un an, sauf dispositions contraires ci-dessous. La garantie court sur 12 mois à partir de la date d'installation initiale. (Reçu de l'utilisateur final)

1. Compresseurs de réfrigération – La période de garantie est de 5 ans.
2. Pièces détachées – La période de garantie est de 90 jours.
3. Poêles et articles de cuisson à revêtement – La période de garantie est de 90 jours.
4. Système de rivets EverTite™ – La garantie couvre les rivets desserrés seulement, à vie.
5. Rampes chauffantes Cayenne® – La période de garantie est de 1 an, plus une période de 1 an supplémentaire sur les pièces des éléments chauffants seulement.
6. Plaques de cuisson à induction Ultra et Professional – La période de garantie est de 2 ans.
7. Plaques de cuisson à induction Mirage et Commercial – La période de garantie est de 1 an.
8. Postes de travail à induction ServeWell® – La période de garantie est de 1 an pour la table et de 2 ans pour les inducteurs.
9. Trancheurs – La période de garantie est de 10 ans pour les engrenages et de 5 ans pour les courroies.
10. Mélangeurs – La période de garantie est de 2 ans.
11. Des prolongations de garantie sont disponibles au moment de la vente.
12. Mélangeurs Boxer – Garantie-échange de 1 an.
13. Vollrath – produits Redco – La période de garantie est de 2 ans.
14. Gammes de produits Optio / Arkadia – La période de garantie est de 90 jours.
15. Tous les produits anti-adhésifs (poêles et surfaces) – La période de garantie est de 90 jours pour les surfaces anti-adhésives.

Tous les produits de la collection Jacob's Pride®, y compris les suivants, sont assortis d'une garantie à vie :

- Cuillères à servir une pièce certifiées NSF
- Ustensiles Spoodle® certifiés NSF
- Cuillères ultra-solides certifiées NSF avec manche ergonomique
- Cuillères à arroser ultra-solides certifiées NSF
- Pelles extra-robustes à manche ergonomique
- Pincettes une pièce*
- Louches une pièce extra-robustes*
- Fouets à manche en nylon
- Écumoirs une pièce
- Batteries de cuisine Tribute®, Intrigue® et Classic Select®*

*La garantie Jacob's Pride® ne couvre pas le revêtement Kool-Touch®, les revêtements anti-adhésifs et les manches en silicone.

Articles vendus sans garantie :

- Lames de hachoirs à viande
- Ampoules de fours à convection et présentoirs d'aliments chauds
- Joints de porte de four
- Vitre de porte de four
- Vitre de vitrine/présentoir d'aliments chauds
- Étalonnage et installation des équipements au gaz
- Lames de trancheuse / découpeuse en dés (préparation des aliments sur table) – Redco et Vollrath

CETTE GARANTIE REMPLACE TOUTE AUTRE GARANTIE, EXPRESSE OU TACITE, Y COMPRIS TOUTE GARANTIE TACITE DE QUALITÉ MARCHANDE OU D'ADAPTATION À UNE UTILISATION PARTICULIÈRE.

Comme seule responsabilité de la Vollrath Company LLC et seul recours de l'acheteur, en cas de violation de garantie, la Vollrath Company LLC réparera ou, au choix, remplacera le produit ou le composant défectueux, gratuitement, aux exceptions près ci-dessous :

- Pour les compresseurs de réfrigération et la seconde année de garantie sur les rampes chauffantes Cayenne® et les mixeurs, la Vollrath Company LLC fournira uniquement la pièce de rechange ou réparée et l'acheteur sera responsable de tous les frais de main-d'œuvre encourus pour l'exécution de la réparation ou du remplacement.
- Pour faire jouer la garantie, l'acheteur devra retourner à la Vollrath Company LLC tout produit (sauf les équipements au gaz à installation permanente) pesant moins de 50 kg (110 lbs.) ou situé à un rayon de plus de 80 km (50 miles) d'un technicien certifié désigné par la Vollrath Company LLC pour effectuer les réparations sous garantie. Si un technicien Vollrath ne peut être contacté, consultez le site Web pour y trouver un centre de SAV. (Pour le poids et les dimensions du produit, reportez-vous au catalogue de produits.)
- Aucun recours ne sera disponible pour des produits qui ont été endommagés par accident ou négligence, suite à une mauvaise installation, par manque de supervision ou d'installation adéquate, pour cause d'utilisation, d'installation ou d'utilisation incorrecte contraire aux instructions d'installation et d'utilisation ou pour d'autres causes ne résultant pas de vices de matériel ou de défauts de fabrication. À la demande de l'acheteur, la Vollrath Company LLC réparera ou remplacera ces produits pour un prix raisonnable.
- Aucun recours ne sera proposé pour les trancheuses dont la lame n'a pas été affûtée (voir les instructions d'affûtage dans le manuel d'utilisation)
- Aucun recours ne sera proposé pour les mixeurs endommagés suite au changement d'engrenages pendant le fonctionnement ou la surcharge de l'appareil, comme déterminé par un technicien certifié Vollrath.
- Tout travail sous garantie doit être autorisé à l'avance par la Vollrath Company LLC. Pour des détails sur la procédure de réclamation sous garantie, voir le mode d'emploi et les consignes de sécurité fournies avec chaque produit.
- Aucun recours ne sera proposé pour un produit retourné qui s'avère conforme aux spécifications.
- Aucun recours ne sera proposé pour une garantie non enregistrée comme indiqué ci-dessous.

LIMITATION DE RESPONSABILITÉ :

LA VOLLRATH COMPANY LLC NE POURRA ÊTRE TENUE POUR RESPONSABLE DE DOMMAGES INDIRECTS OU ACCESSOIRES DE TOUTE SORTE, SUR LA BASE D'UNE NÉGLIGENCE OU AUTRE DÉLIT CIVIL, VIOLATION DE GARANTIE OU TOUT AUTRE PRINCIPE.



PROCÉDURE DE GARANTIE

Pour tous les appels de service sous garantie, la procédure et les informations suivantes sont obligatoires :

- Toutes les demandes sous garantie commenceront par un appel à l'assistance technique Vollrath (800-628-0832).
- Un professionnel de l'assistance technique essaiera de diagnostiquer le problème et fournira des détails sur la marche à suivre.
- Numéro de la personne qui appelle
- Adresse, ville et code postal
- Numéros de modèle et de série
- Date et justificatif (reçu) d'achat
- Nom du revendeur chez qui l'appareil a été acheté

REMARQUE : Vollrath n'acceptera pas les produits envoyés si la procédure correcte n'a pas été suivie.

Important :

POUR FAIRE UNE DEMANDE SOUS GARANTIE, VOUS DEVEZ ENREGISTRER VOTRE GARANTIE.

ENREGISTREZ VOTRE GARANTIE AUJOURD'HUI

EN LIGNE : Enregistrez votre produit en ligne sans attendre sur www.Vollrathco.com

PAS D'ACCÈS AU WEB : Si vous n'avez pas accès au Web, enregistrez-la en remplissant le formulaire d'enregistrement à envoyer par fax au bureau Vollrath Co. LLC du pays d'achat.

ENREGISTREMENT DE LA GARANTIE			
NOM DE L'ENTREPRISE			
NOM DU PRINCIPAL CONTACT		COURRIEL	
ADRESSE			
VILLE	PROVINCE	CODE POSTAL	
PAYS	TÉLÉPHONE	FAX	
MODEL		NUMÉRO D'ARTICLE	
NUMÉRO DE SÉRIE	<input type="text"/>	-	<input type="text"/>
TYPE DE L'ENTREPRISE			
<input type="checkbox"/> Restaurant à service limité	<input type="checkbox"/> Restaurant à service complet	<input type="checkbox"/> Bars et tavernes	<input type="checkbox"/> Supermarché
<input type="checkbox"/> Libre-service	<input type="checkbox"/> Divertissement	<input type="checkbox"/> Hôtel/hébergement	<input type="checkbox"/> Companies aériennes
<input type="checkbox"/> Entreprises/industrie	<input type="checkbox"/> Écoles primaires/secondaires	<input type="checkbox"/> Universités	<input type="checkbox"/> Hôpitaux
<input type="checkbox"/> Soins au long cours	<input type="checkbox"/> Maison de repos	<input type="checkbox"/> Armée	<input type="checkbox"/> Prisons
MOTIF DE SÉLECTION DE NOTRE PRODUIT			
<input type="checkbox"/> Apparence	<input type="checkbox"/> Restaurant à service complet	<input type="checkbox"/> Disponibilités	<input type="checkbox"/> Recomman. du vendeur
<input type="checkbox"/> Libre-service	<input type="checkbox"/> Divertissement	<input type="checkbox"/> Prix	<input type="checkbox"/> Marque
AIMERIEZ-VOUS RECEVOIR LE CATALOGUE DE NOS GAMMES COMPLÈTES ET RESTER DANS NOTRE FICHER D'ADRESSES ?			<input type="checkbox"/> Oui <input type="checkbox"/> Non

FRAN-



The Vollrath Company, L.L.C.
1236 North 18th Street
Sheboygan, WI 53081-3201
U.S.A.

Standard : 920.457.4851
Fax : 800.752.5620

Services techniques : 800.628.0832
Service fax : 920.459.5462

Service Canada : 800.695.8560

© 2013 The Vollrath Company, L.L.C.

Manual del operador

EMPOTRADOS REFRIGERADOS NSF7, REFRIGERADOS ESTÁNDAR, LATERALES CORTOS Y NO REFRIGERADOS



Art.	Descripción	HP	V	Amp.	Enchufe
36456	NSF7 una fuente	1/5 hp	120V	3.8	5-15P
36429	NSF7 dos fuentes	1/4 hp	120V	3.8	5-15P
36430	NSF7 tres fuentes	1/4 hp	120V	4.9	5-15P
36434	NSF7 cuatro fuentes	1/3 hp	120V	7.2	5-15P
36436	NSF7 cinco fuentes	1/2 hp	120V	11.0	5-20P
36438	NSF7 seis fuentes	1/2 hp	120V	11.0	5-20P
36456R	NSF7 una fuente	--	--	--	--
36429R	NSF7 dos fuentes	--	--	--	--
36430R	NSF7 tres fuentes	--	--	--	--
36434R	NSF7 cuatro fuentes	--	--	--	--
36436R	NSF7 cinco fuentes	--	--	--	--
36438R	NSF7 seis fuentes	--	--	--	--
36490	Una fuente	1/5 hp	120V	3.8	5-15P
36441	Dos fuentes	1/5 hp	120V	3.8	5-15P
36442	Tres fuentes	1/5 hp	120V	3.8	5-15P
36444	Cuatro fuentes	1/4 hp	120V	4.9	5-15P
36446	Cinco fuentes	1/4 hp	120V	4.9	5-15P
36448	Seis fuentes	1/3 hp	120V	7.2	5-15P
36490R	Una fuente	--	--	--	--
36441R	Dos fuentes	--	--	--	--

Art.	Descripción	HP	V	Amp.	Enchufe
36442R	Tres fuentes	--	--	--	--
36444R	Cuatro fuentes	--	--	--	--
36446R	Cinco fuentes	--	--	--	--
36448R	Seis fuentes	--	--	--	--
36652	Dos fuentes	1/4 hp	120V	4.9	5-15P
36655	Tres fuentes	1/4 hp	120V	4.9	5-15P
36658	Cuatro fuentes	1/2 hp	120V	4.9	5-15P
36653	NSF7 dos fuentes	1/4 hp	120V	4.9	5-15P
36656	NSF7 tres fuentes	1/4 hp	120V	14.9	5-15P
36659	NSF7 cuatro fuentes	1/2 hp	120V	14.9	5-15P
36491	Una fuente				
36450	Dos fuentes				
36451	Tres fuentes				
36452	Cuatro fuentes				
36453	Cinco fuentes				
36454	Seis fuentes				
36654	Dos fuentes				
36657	Tres fuentes				
36660	Cuatro fuentes				

Gracias por comprar este equipo Vollrath. Antes de usar el equipo, lea y familiarícese con las siguientes instrucciones de operación y seguridad. CONSERVE ESTAS INSTRUCCIONES COMO REFERENCIA PARA EL FUTURO. Conserve la caja y embalado originales. Deberá utilizarlos para devolver el equipo en caso de que requiera reparaciones.

PRECAUCIONES DE SEGURIDAD

Para garantizar una operación segura, lea las siguientes afirmaciones y comprenda su significado. Léalas atentamente.

⚠️ ADVERTENCIA

Advertencia se usa para indicar la presencia de un peligro que *puede* provocar lesiones personales graves, muerte o daños materiales considerables si se ignora el aviso.

⚠️ PRECAUCIÓN

Precaución se usa para indicar la presencia de un peligro que *provocará o puede provocar* lesiones personales o daños materiales leves si se ignora el aviso.

NOTA

Nota se utiliza para indicar información sobre instalación, funcionamiento o mantenimiento que es importante, pero que no reviste peligros.

¡Por su propia seguridad!

Debe acatar estas precauciones en todo momento, ya que si no lo hace podría lesionarse a sí mismo y a otras personas.

Para disminuir el riesgo de lesiones personales o daños al equipo:

- Enchúfelo sólo en tomacorrientes con puesta a tierra cuyo voltaje nominal sea el indicado en la placa identificatoria.
- Haga que personal calificado instale el equipo.
- No use un cable de extensión con este equipo. No enchufe este equipo en una regleta eléctrica ni cable de múltiples tomas.
- Esta unidad debe utilizarse sólo en posición plana y nivelada.
- No rocíe con líquidos ni agentes de limpieza los controles ni la parte externa del equipo.
- No limpie el equipo con lana de acero.
- Mantenga el equipo y el cable eléctrico lejos de llamas expuestas, quemadores eléctricos o calor excesivo.
- No lo deje operando solo.
- No opere el equipo en áreas públicas ni cerca de los niños.
- No opere el equipo si se ha dañado o si funciona defectuosamente de algún modo.

FUNCIÓN Y PROPÓSITO

Esta unidad está diseñada para mantener recipientes de comida previamente enfriada a temperatura de servicio segura. No está diseñada ni tiene el propósito de enfriar alimentos calientes ni ningún producto que no se haya enfriado correctamente antes de colocarlo en la unidad. Las fuentes frías refrigeradas son aptas para períodos de conservación de hasta cuatro horas. Para obtener el mejor rendimiento, se recomiendan recipientes de acero inoxidable.

Antes de usarlo, el equipo debe limpiarse y secarse completamente.

Este equipo no está diseñado para uso doméstico, industrial ni de laboratorio.

DESEMBALADO DEL EQUIPO Y CONFIGURACIÓN INICIAL

Cuando ya no los necesite, deseche todos los materiales de embalado de una manera ambientalmente responsable.

1. Retire del equipo todo el material y cinta de embalado, así como el plástico protector.
2. Limpie todo residuo adhesivo que haya quedado del plástico o la cinta.

NOTA

Los modelos refrigerados deben proporcionarse con ventilación adecuada. El requisito mínimo es el equivalente de **516 cm²** (80 pulgadas cuadradas) de salida de aire.

Haga que sólo personal de servicio calificado instale el equipo. La abertura de corte en el mostrador debe hacerse de acuerdo con la tabla siguiente. Todas las aberturas deben estar dentro de 3 mm (1/8") de la dimensión indicada y tener un radio de 22.2 mm (7/8") en las esquinas. Use la junta impermeable que se proporciona para sellar entre el mostrador y la unidad a fin de impedir que ingrese agua a las áreas de control.

NOTA

Todas las aberturas deben estar dentro de 3 mm (1/8") de los tamaños indicados y tener un radio de 22.2 mm (7/8") en las esquinas. Dimensiones del recorte dadas en pulgadas y (cm).

3. Refiera a la carta de la dimensión del recorte en el manual de este operador para las dimensiones del recorte.
4. Coloque la junta impermeable sobre el recorte y centre el receptáculo.
5. Apriete lentamente los tornillos de mano (C) y en un patrón alternante para comprimir uniformemente la junta. Consulte la Figura 1. La junta debe crear un espacio uniforme entre el receptáculo y la superficie de montaje.

CARACTERÍSTICAS Y CONTROLES

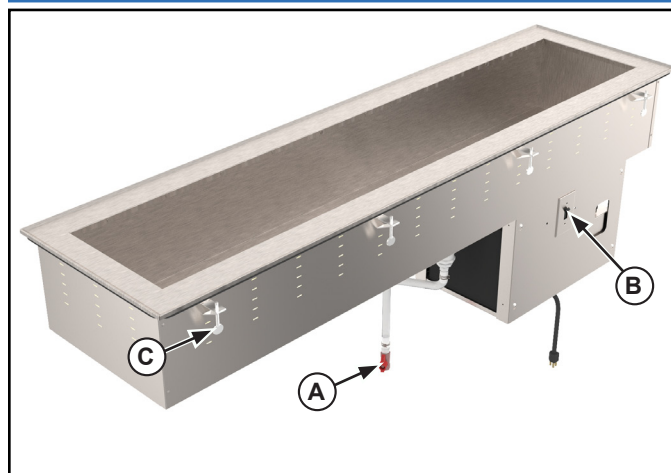


Figura 1. Características y controles.

- Ⓐ **VÁLVULA DE DRENAJE.** Se usa para vaciar el agua de los receptáculos.
- Ⓑ **INTERRUPTOR DE ENCENDIDO/APAGADO (algunos modelos).** ENCIENDE y APAGA el suministro del equipo.
- Ⓒ **TORNILLO DE MANO.** Afianza la unidad a la superficie de montaje.

OPERACIÓN

	 ADVERTENCIA
<p>Peligro de descarga eléctrica. Evite que ingrese agua o cualquier otro tipo de líquido al interior de la unidad, ya que ello podría causar una descarga eléctrica. No use un cable eléctrico dañado.</p>	
<p>No llene excesivamente los receptáculos, fuentes ni bandejas. El líquido podría hacer contacto con los componentes electrónicos y causar un cortocircuito o descarga eléctrica. Desenchufe la unidad antes de darle servicio, drenar o retirar las bandejas y fuentes para derrame. No rocíe agua ni agentes de limpieza. No use un cable eléctrico modificado ni dañado.</p>	

UNIDADES REFRIGERADAS:

1. Verifique que la válvula de drenaje (A) esté en la posición CERRADA para impedir que se drene el agua. Consulte la Figura 1. La válvula está en dicha posición cuando el mango de la misma forma una "T" con el cuerpo de la válvula.
2. Enchufe el equipo en un suministro eléctrico correctamente puesto a tierra cuyo voltaje nominal corresponda al indicado en la placa identificatoria. El equipo puede resultar dañado si recibe suministro eléctrico incorrecto.
3. Gire el interruptor de suministro (B) hasta la posición de encendido "ON". Esta unidad no tiene un valor de temperatura ajustable. Deje que la unidad funcione durante aproximadamente 30 minutos. Para obtener el mejor rendimiento al usar hielo con esta unidad, déjala funcionar durante aproximadamente 2 horas antes de agregar el hielo. Ello ayudará a mantener el hielo sólido.
4. Coloque los recipientes de alimentos correctamente enfriados en la unidad previamente enfriada.
5. Revise regularmente la temperatura de los alimentos.

NOTA:

Supervise estrechamente la temperatura de los alimentos para mantenerlos seguros. El Servicio de Salud Pública de los Estados Unidos (United States Public Health Service) recomienda mantener los alimentos a un máximo de 5 °C (41 °F) para prevenir el crecimiento de bacterias.

6. Cuando termine de usar la unidad, gire el interruptor de suministro (B) hasta la posición de apagado. Retire los recipientes de alimentos.
7. Abra la válvula de drenaje (A) y drene el agua. La válvula está en la posición ABIERTA cuando su mango está alineado con el cuerpo de la misma.
8. Cierre la válvula de drenaje. Gire la válvula a la posición CERRADA cuando el mango de ésta forme una "T" con el cuerpo de la válvula.

UNIDADES NO REFRIGERADAS:

1. Verifique que la válvula de drenaje (A) esté en la posición CERRADA para impedir que se drene el agua. La válvula está en dicha posición cuando el mango de la misma forma una "T" con el cuerpo de la válvula.
2. Coloque hielo en el receptáculo no refrigerado. Para obtener el mejor rendimiento deje que la unidad se enfríe durante aproximadamente 1 hora antes de usarla.
3. Coloque los recipientes de alimentos correctamente enfriados en la unidad previamente enfriada.
4. Revise regularmente la temperatura de los alimentos.

NOTA:

Supervise estrechamente la temperatura de los alimentos para mantenerlos seguros. El Servicio de Salud Pública de los Estados Unidos (United States Public Health Service) recomienda mantener los alimentos a un máximo de 5 °C (41 °F) para prevenir el crecimiento de bacterias.


5. Cuando termine de usar la unidad, retire los recipientes de alimentos.
6. Abra la válvula de drenaje (A) y drene el agua. La válvula está en la posición ABIERTA cuando su mango está alineado con el cuerpo de la misma.
7. Cierre la válvula de drenaje (A). Gire la válvula a la posición CERRADA cuando el mango de ésta forme una "T" con el cuerpo de la válvula.

LIMPIEZA

Para conservar su aspecto hermoso y prolongar su vida útil, limpie diariamente el equipo.

NOTA:

No use productos de limpieza cáusticos, lana de acero ni productos de uso comercial para la eliminación de carbonatos a fin de limpiar el equipo. Enjuague completamente el equipo con agua tras limpiarlo.

	 ADVERTENCIA
<p>Peligro de descarga eléctrica. Evite que ingrese agua o cualquier otro tipo de líquido al interior de la unidad, ya que ello podría causar una descarga eléctrica. No use un cable eléctrico dañado.</p>	
<p>No llene excesivamente los receptáculos, fuentes ni bandejas. El líquido podría hacer contacto con los componentes electrónicos y causar un cortocircuito o descarga eléctrica. Desenchufe la unidad antes de darle servicio, drenar o retirar las bandejas y fuentes para derrame. No rocíe agua ni agentes de limpieza. No use un cable eléctrico modificado ni dañado.</p>	

1. Cuando termine de usar la unidad, gire el interruptor de suministro (B) hasta la posición de apagado. Retire los recipientes de alimentos.
2. Abra la válvula de drenaje (A) y drene el agua. La válvula está en la posición ABIERTA cuando su mango está alineado con el cuerpo de la misma.
3. Use un paño húmedo o esponja sumergida en agua jabonosa para limpiar el interior del receptáculo y la parte externa del equipo.
4. Cierre la válvula de drenaje (A). Gire la válvula a la posición CERRADA cuando el mango de ésta forme una "T" con el cuerpo de la válvula.

TABLA DE SOLUCIÓN DE PROBLEMAS

Problema	Podría deberse a	Solución
La unidad no llega a la temperatura correcta.	La unidad no está enchufada.	Enchúfela.
	Compresor defectuoso.	Haga que lo reemplacen.

SERVICIO Y REPARACIÓN

Este artefacto no tiene piezas que puedan ser reparadas por el usuario. Para evitar lesiones o daños materiales graves, no trate de reparar el equipo ni reemplazar un cable eléctrico por su cuenta. No envíe el equipo directamente a The Vollrath Company. Comuníquese con el servicio de reparación profesional calificado que se menciona a continuación.

Servicio de asistencia técnica de VOLLRATH • 1-800-628-0832

EL RECORTE DIMENSIONA LA CARTA PARA EMPOTRADOS REFRIGERADOS NSF7, REFRIGERADOS ESTÁNDAR, LATERALES CORTOS Y NO REFRIGERADOS

DIMENSIONES DEL RECORTE DADAS EN PULGADAS Y (CM).

Item	Cutout Dimensions
36456	17-1/4 x 25-1/4 (43.8 x 64.1)
36429	28-1/4 x 25-1/4 (71.8 x 64.1)
36430	40-3/4 x 25-1/4 (103.5 x 64.1)
36434	54 x 25-1/4 (137.2 x 64.1)
36436	67-1/4 x 25-1/4 (170.8 x 64.1)
36438	80-1/2 x 25-1/4 (204.5 x 64.1)
36456R	17-1/4 x 25-1/4 (43.8 x 64.1)
36429R	28-1/4 x 25-1/4 (71.8 x 64.1)
36430R	40-3/4 x 25-1/4 (103.5 x 64.1)
36434R	54 x 25-1/4 (137.2 x 64.1)
36436R	67-1/4 x 25-1/4 (170.8 x 64.1)
36438R	80-1/2 x 25-1/4 (204.5 x 64.1)
36490	14-1/4 x 25-1/4 (36.2 x 64.1)
36441	28-1/4 x 25-1/4 (71.8 x 64.1)
36442	40-3/4 x 25-1/4 (103.5 x 64.1)
36444	54 x 25-1/4 (137.2 x 64.1)
36446	67-1/4 x 25-1/4 (170.8 x 64.1)
36448	80-1/2 x 25-1/4 (204.5 x 64.1)
36490R	14-1/4 x 25-1/4 (36.2 x 64.1)
36441R	28-1/4 x 25-1/4 (71.8 x 64.1)
36442R	40-3/4 x 25-1/4 (103.5 x 64.1)
36444R	54 x 25-1/4 (137.2 x 64.1)

Item	Cutout Dimensions
36446R	67-1/4 x 25-1/4 (170.8 x 64.1)
36448R	80-1/2 x 25-1/4 (204.5 x 64.1)
36652	44-11/16 x 17-5/16 (113.5 x 44)
36655	66-1/8 x 17-5/16 (168 x 44)
36658	87-9/16 x 17-5/16 (222.4 x 44)
36653	44-11/16 x 17-5/16 (113.5 x 44)
36656	66-1/8 x 17-5/16 (168 x 44)
36659	87-9/16 x 17-5/16 (222.4 x 44)
36491	14-1/4 x 25-1/4 (36.2 x 64.1)
36450	28-1/4 x 25-1/4 (71.8 x 64.1)
36451	40-3/4 x 25-1/4 (103.5 x 64.1)
36452	54 x 25-1/4 (137.2 x 64.1)
36453	67-1/4 x 25-1/4 (170.8 x 64.1)
36454	80-1/2 x 25-1/4 (204.5 x 64.1)
36654	44-11/16 x 17-5/16 (113.5 x 44)
36657	66-1/8 x 17-5/16 (168 x 44)
36660	87-1/2 x 17-5/16 (222.4 x 44)

CLÁUSULA DE GARANTÍA DE THE VOLLRATH CO. L.L.C.

The Vollrath Company L.L.C. garantiza los productos que fabrica y distribuye contra defectos en materiales y fabricación por un período de un año, salvo según se especifica a continuación: La garantía dura por 12 meses a partir de la fecha de instalación original. (Recibo de usuario final)

1. Compresores de refrigeración – período de garantía de 5 años.
2. Repuestos – período de garantía de 90 días.
3. Sartenes y baterías de cocina recubiertas – período de garantía de 90 días.
4. Sistema de remachado EverTite™ – la garantía cubre los remaches sueltos solamente, para siempre.
5. Tiras calentadoras Cayenne® – período de garantía de 1 año más 1 año adicional para las piezas del elemento calefactor solamente.
6. Estufas de inducción serie Ultra y Profesional – período de garantía de 2 años.
7. Estufas de inducción Mirage y serie Comercial – período de garantía de 1 año.
8. Estaciones de trabajo ServeWell® a inducción – período de garantía de un año para la mesa de la estación de trabajo y 2 años para los quemadores de inducción.
9. Rebanadoras – período de garantía de 10 años para los engranajes y 5 años para las correas.
10. Batidoras – período de garantía de 2 años.
11. Se ofrecen garantías extendidas al momento de la venta.
12. Productos Vollrath – Redco – período de garantía de 2 años.
13. Líneas de productos Optio/Arkadia – período de garantía de 90 días.
14. Todos los productos no adherentes (por ejemplo sartenes y superficies) tienen una garantía de 90 días para las superficies no adherentes.

Todos los productos de la colección Jacob's Pride®, incluyendo los siguientes, tienen garantía vitalicia:

- Porcionadores de una sola pieza certificados por NSF
- Utensilios Spoodle® certificados por NSF
- Cucharas altamente resistentes con mango ergonómico certificadas por NSF
- Cucharas para servir altamente resistentes certificadas por NSF
- Volteadores de servicio pesado con mango ergonómico
- Tenazas de una sola pieza*
- Cucharones de una sola pieza altamente resistentes*
- Batidores con mango de nylon
- Espumaderas de una sola pieza
- Baterías de cocina Tribute®, Intrigue® y Classic Select®*

*La garantía de Jacob's Pride® no cubre los revestimientos Kool-Touch® no adherentes ni los mangos de silicona.

Artículos vendidos sin garantía:

- Cuchillos para molidoras de carne
- Bombillas en hornos de convección y exhibidores de comida caliente
- Sellos para puertas de hornos
- Vidrio para puertas de hornos
- Vidrio para exhibidores de comida caliente/vitrinas de presentación
- Calibración e instalación de equipos a gas
- Hojas de rebanadora/cortadora (preparación en sobremesa) – Redco y Vollrath

ESTA GARANTÍA REEMPLAZA A TODAS LAS DEMÁS GARANTÍAS, EXPRESAS O IMPLÍCITAS, INCLUYENDO GARANTÍAS IMPLÍCITAS DE COMERCIABILIDAD E IDONEIDAD PARA UN FIN O USO EN PARTICULAR

A menos que se indique lo contrario a continuación, la única responsabilidad de The Vollrath Company LLC y la única solución para el comprador, en caso de violación de garantía, The Vollrath Company LLC reparará o, a su criterio, reemplazará el producto defectuoso:

- Para los compresores de refrigeración y el segundo año de garantía para las batidoras y tiras calentadoras Cayenne®, The Vollrath Company LLC proporcionará la pieza reparada o el repuesto solamente; y el comprador asumirá la responsabilidad por todos los gastos de mano de obra en que se incurra en la reparación o reemplazo.
- Para obtener el servicio de garantía, el comprador debe devolver a The Vollrath Company LLC todo producto (que no sea el equipo a gas instalado permanentemente) que pese menos de 50 kg (110 lbs.) o que se encuentre fuera de un radio de 80 km (50 miles) de un técnico de servicio certificado por The Vollrath Company LLC para efectuar reparaciones. Si no es posible comunicarse con un técnico de Vollrath, en el sitio web encontrará los puntos de contacto para obtener servicio. (En el catálogo de productos encontrará los pesos y tamaños de los productos).
- No se ofrece ninguna solución para los productos dañados debido a accidente, descuido, instalación incorrecta, falta de configuración o supervisión correctas cuando era necesario, negligencia, uso incorrecto, instalación u operación contraria a las instrucciones de instalación y operación u otras causas que estén relacionadas con defectos de mano de obra o fabricación. Si el cliente lo solicita, The Vollrath Company LLC reparará y o reemplazará dichos productos a un precio razonable.
- No se ofrece ninguna solución para las rebanadoras cuya hoja no se haya afilado (en el manual del propietario encontrará las instrucciones para afilarla).
- No se ofrece ninguna solución para las batidoras dañadas al cambiar velocidades con la unidad en marcha o al sobrecargarla, ambos casos determinados por un técnico certificado de Vollrath
- El trabajo de garantía debe contar con la aprobación previa de The Vollrath Company LLC. Consulte las instrucciones de operación y seguridad de cada producto para ver los procedimientos de reclamos bajo garantía.
- No se ofrece solución para los productos devueltos que se determine que son aceptables según su especificación.
- No se ofrece ninguna solución bajo una garantía que no esté inscrita según se exige a continuación.

LIMITACIÓN DE GARANTÍA:

THE VOLLRATH COMPANY LLC NO SERÁ RESPONSABLE DE DAÑOS INCIDENTALES O CONSECUENTES DE NINGÚN TIPO, QUE SE BASEN EN NEGLIGENCIA U OTRO AGRAVIO, VIOLACIÓN DE GARANTÍA O CUALQUIER OTRA TEORÍA.

PROCEDIMIENTO DE GARANTÍA:

Para todos los servicios de garantía, se requiere el proceso e información siguientes:

- Todos los reclamos de garantía se inician llamando a la línea de servicio de asistencia técnica de Vollrath (800-628-0832).
- Un profesional del servicio técnico se encargará de diagnosticar los problemas y proporcionará detalles sobre la solución correspondiente.
- Nombre y teléfono de la persona que llama
- Nombre de la empresa, calle, ciudad, estado y código postal
- Modelo y número de serie
- Fecha de compra y comprobante de compra (recibo)
- Nombre del distribuidor donde se adquirió la unidad

NOTA: Vollrath no aceptará productos que se envíen sin haber seguido correctamente el procedimiento antedicho.

Importante:

PARA EFECTUAR UN RECLAMO Y OBTENER SOLUCIÓN BAJO GARANTÍA, LA GARANTÍA DEBE ESTAR INSCRITA.

INSCRIBA SU GARANTÍA HOY MISMO

EN LÍNEA: Inscriba hoy mismo su producto en línea en www.Vollrathco.com

SIN ACCESO A INTERNET: Si no tiene acceso a la red, por favor inscriba la garantía completando el formulario de inscripción correspondiente y envíelo por fax a la oficina de The Vollrath Co. LLC en el país donde efectuó la compra.

PROCEDIMIENTO DE GARANTÍA			
NOMBRE DE EMPRESA			
NOMBRE DE CONTACTO CLAVE		CORREO ELECTRÓNICO	
DIRECCIÓN			
CIUDAD	ESTADO	CÓDIGO POSTAL	
PAÍS	TELÉFONO	FAX	
MODELO		NÚMERO DE ARTÍCULO	
NÚMERO DE SERIE	<input type="text"/>	-	<input type="text"/>
TIPO DE OPERACION			
<input type="checkbox"/> Restaurante de servicio limitado	<input type="checkbox"/> Restaurante de servicio completo	<input type="checkbox"/> Bares y tabernas	<input type="checkbox"/> Supermercado
<input type="checkbox"/> Minimercado	<input type="checkbox"/> Recreación	<input type="checkbox"/> Hotel/hospedaje	<input type="checkbox"/> Líneas aéreas
<input type="checkbox"/> Empresa/industria	<input type="checkbox"/> Escuela primaria/secundaria	<input type="checkbox"/> Institutos/universidades	<input type="checkbox"/> Hospitales
<input type="checkbox"/> Cuidado de largo plazo	<input type="checkbox"/> Residencia de adultos mayores	<input type="checkbox"/> Fuerzas armadas	<input type="checkbox"/> Correccionales
MOTIVO PARA SELECCIONAR NUESTRO PRODUCTO			
<input type="checkbox"/> Aspecto	<input type="checkbox"/> Restaurante de servicio completo	<input type="checkbox"/> Disponibilidad	<input type="checkbox"/> Recomen. del vendedor
<input type="checkbox"/> Facilidad de operación	<input type="checkbox"/> Versatilidad de uso	<input type="checkbox"/> Precio	<input type="checkbox"/> Marca
¿LE GUSTARÍA RECIBIR NUESTRO COMPLETO CATÁLOGO Y PERMANECER EN NUESTRA LISTA DE CORREO?			<input type="checkbox"/> Sí <input type="checkbox"/> No

ESPAÑOL



The Vollrath Company, L.L.C.
1236 North 18th Street
Sheboygan, WI 53081-3201
U.S.A.

Teléfono: 920.457.4851
Fax: 800.752.5620

Tel. de servicio: 800.628.0832
Fax de servicio: 920.459.5462

Canadá - servicio: 800.695.8560

© 2013 The Vollrath Company, L.L.C.