

## ONE PIECE CAFETERIA BREATH GUARD THREE PIECE CAFETERIA BREATH GUARD

These instructions cover the installation of the one piece Cafeteria Breath Guard and the three piece Cafeteria Breath Guard.

### ONE PIECE BREATH GUARD INSTALLATION

Some units are shipped with a breath guard not installed. To install the breath guard follow these steps:

**NOTE:**  
Use caution when tightening the cap nuts. Overtightening may cause the plastic to crack.

1. Install the breath guard uprights (A) to the studs (B) securing with cap nuts (C) as shown. See Figure 1. Repeat for all four uprights.

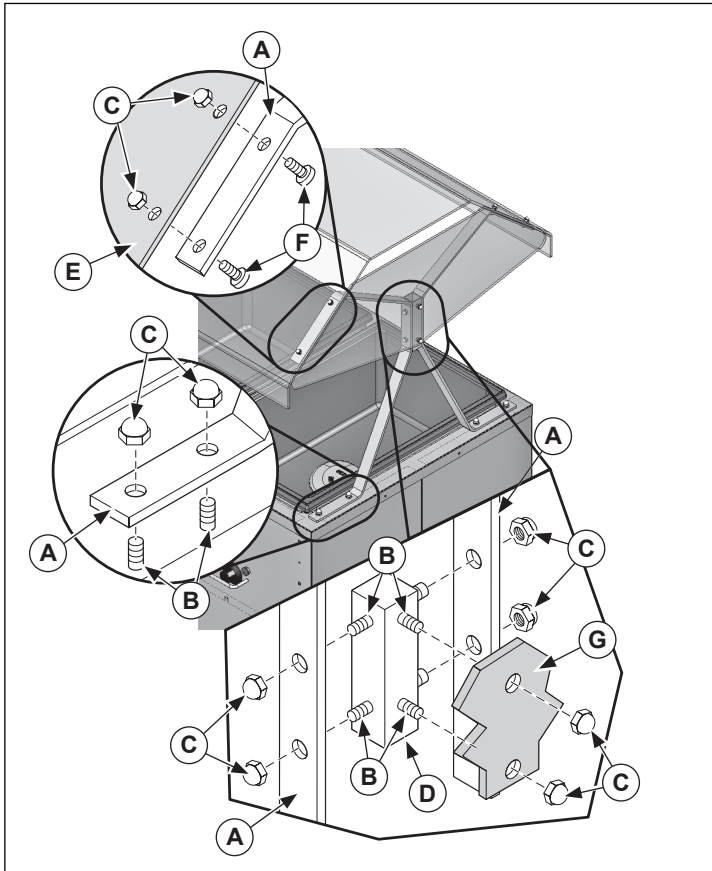


Figure 1. One Piece Breath Guard Installation

2. Install the breath guard support tube (D) between the uprights (A) securing with cap nuts (C) as shown. Repeat on the other side.
3. Install the one piece breath guard (E) securing with screws (F) and cap nuts (C) as shown. Repeat for all four mounting locations.
4. Install the side breath protector (G) to the support tube (D) securing with cap nuts (C) as shown. Repeat on the other side.

### THREE PIECE BREATH GUARD INSTALLATION

Some units are shipped with a breath guard not installed. To install the breath guard follow these steps:

**NOTE:**  
Use caution when tightening the cap nuts. Overtightening may cause the plastic to crack.

1. Install the breath guard uprights (A) to the studs (B) securing with cap nuts (C) as shown. See Figures 1 and 2. Repeat for all four uprights.

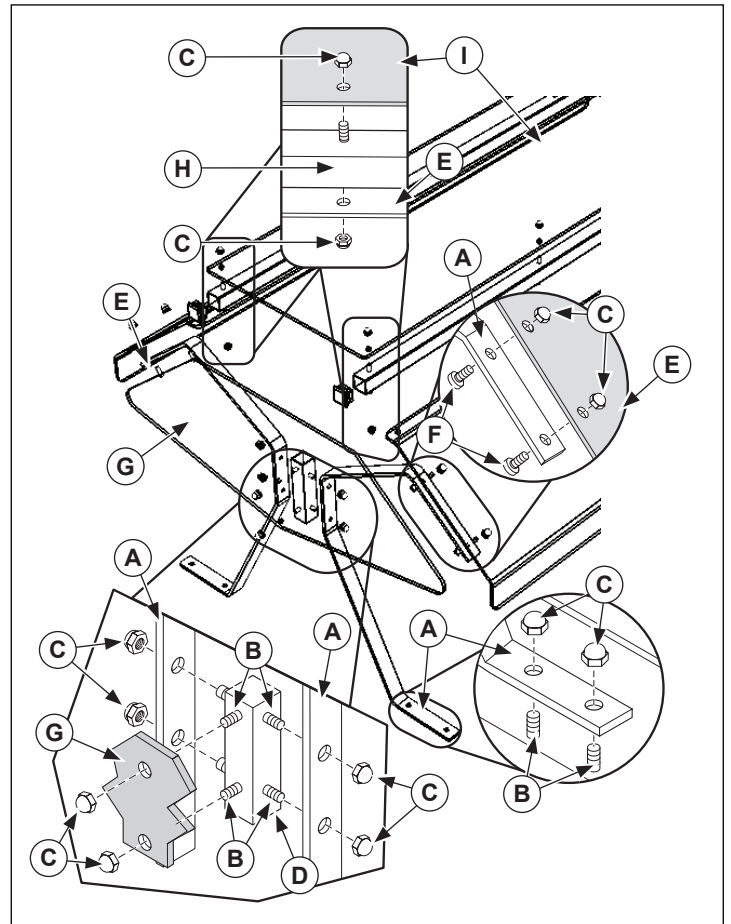


Figure 2. Three Piece Breath Guard Installation

2. Install the breath guard support tube (D) between the uprights (A) securing with cap nuts (C) as shown. Repeat on the other side.
3. Install the side breath guards (E) securing with screws (F) and cap nuts (C) as shown. Repeat for all mounting locations.
4. Install the side shield (G) to the support tube (D) securing with cap nuts (C) as shown. Repeat on the other side.
5. Install the support bar and stud assembly (H) to the side breath guards (E). Repeat for all mounting locations.
6. Install the top breath guard (I) to the support bar and stud assembly (H) securing with cap nuts (C). Repeat for all mounting locations.



[www.vollrathco.com](http://www.vollrathco.com)

The Vollrath Company, L.L.C.  
1236 North 18th Street  
Sheboygan, WI 53081-3201  
U.S.A.

Main Tel: 800.628.0830  
Service Tel: 800.628.0832  
FAX: 800.752.5620

Vollrath of Canada, Co.  
Tel: 800.695.8560  
FAX: 800.752.5620

© 2010 The Vollrath Company, L.L.C.

