

# Operator's Manual

## Affordable Portable™ Hot Food Station



Thank you for purchasing this Vollrath equipment. Before operating the equipment, read and familiarize yourself with the following operating and safety instructions. SAVE THESE INSTRUCTIONS FOR FUTURE REFERENCE.

| Description  | Black   | Walnut Woodgrain | Cherry Woodgrain | Granite | White    | American Natural | Brushed Aluminum |
|--|---------|------------------|------------------|---------|----------|------------------|------------------|
| <b>3 Well Standard Buffet Breath Guard Hot Food Station – 120V</b> |         |                  |                  |         |          |                  |                  |
| Solid Base   | 38707   | 38935            | 38767            | 38727   | 38727W   | 38727N           | 38727A           |
| Solid Base w/ Lights   | 3870746 | 3893546          | 3876746          | 3872746 | 3872746W | 3872746N         | 3872746A         |
| Open Storage Base  | 38708   | 38936            | 38768            | 38728   | 38728W   | 38728N           | 38728A           |
| Open Storage w/ Lights   | 3870846 | 3893646          | 3876846          | 3872846 | 3872846W | 3872846N         | 3872846A         |
| Storage Base w/ Door   | 38709   | 38937            | 38769            | 38729   | 38729W   | 38729N           | 38729A           |
| Storage w/ Door, w/Lights  | 3870946 | 3893746          | 3876946          | 3872946 | 3872946W | 3872946N         | 3872946A         |
| <b>3 Well NSF2 Cafeteria Breath Guard Hot Food Station – 120V</b>  |         |                  |                  |         |          |                  |                  |
| Solid Base   | 39707   | 39935            | 39767            | 39727   | 39727W   | 39727N           | 39727A           |
| Open Storage Base  | 39708   | 39936            | 39768            | 39728   | 39728W   | 39728N           | 39728A           |
| Storage Base w/ Door   | 39709   | 39937            | 39769            | 39729   | 39729W   | 39729N           | 39729A           |
| <b>4 Well Standard Buffet Breath Guard Hot Food Station – 120V</b> |         |                  |                  |         |          |                  |                  |
| Solid Base   | 38710   | 38945            | 38770            | 38730   | 38730W   | 38730N           | 38730A           |
| Solid Base w/ Lights   | 3871060 | 3894560          | 3877060          | 3873060 | 3873060W | 3873060N         | 3873060A         |
| Open Storage Base  | 38711   | 38946            | 38771            | 38731   | 38731W   | 38731N           | 38731A           |
| Open Storage w/ Lights   | 3871160 | 3894660          | 3877160          | 3873160 | 3873160W | 3873160N         | 3873160A         |
| Storage Base w/ Door   | 38712   | 38947            | 38772            | 38732   | 38732W   | 38732N           | 38732A           |
| Storage w/ Door, w/ Lights   | 3871260 | 3894760          | 3877260          | 3873260 | 3873260W | 3873260N         | 3873260A         |
| <b>4 Well NSF2 Cafeteria Breath Guard Hot Food Station – 120V</b>  |         |                  |                  |         |          |                  |                  |
| Solid Base   | 39710   | 39945            | 39770            | 39730   | 39730W   | 39730N           | 39730A           |
| Open Storage Base  | 39711   | 39946            | 39771            | 39731   | 39731W   | 39731N           | 39731A           |
| Storage Base w/ Door   | 39712   | 39947            | 39772            | 39732   | 39732W   | 39732N           | 39732A           |

---

## SAFETY PRECAUTIONS

---

To ensure safe operation, read the following statements and understand their meaning. This manual contains safety precautions which are explained below. Please read carefully.

### WARNING

Warning is used to indicate the presence of a hazard that will or can cause severe personal injury or death.

### CAUTION

Caution is used to indicate the presence of a hazard that will or can cause minor or major personal injury if the caution is ignored.

**NOTICE:** Notice is used to note information that is important but not hazard-related.

#### **To reduce risk of injury or damage to the equipment**

- Plug only into grounded electrical outlets that match the voltage rating on the nameplate.
- Do not use an extension cord with this equipment. Do not plug this equipment into a power strip or multi-outlet power cord.
- Equipment should only be used in a flat, level position.
- Unplug equipment and let it cool before cleaning or moving.
- Do not spray controls with liquids or cleaning agents.
- Unplug when not in use.
- Keep equipment and power cord away from open flames, electric burners or excessive heat.
- Do not operate unattended.
- Closely supervise units operating in public areas and/or around children.
- Do not use food pans deeper than 4" (10 cm).
- Do not operate if equipment has been damaged or is malfunctioning.
- Do not operate without water in the well.

---

## FUNCTION AND PURPOSE

---

This equipment is intended to keep hot food at proper serving temperatures. Hot food stations are intended for use in commercial food service operations. Hot food stations are not intended to cook raw food or to reheat prepared food. Food must be prepared and placed in food stations at proper serving temperatures. Hot food stations are not intended for household, industrial or laboratory use.

---

## POSITIONING AND CLEARANCE

---

**NOTICE:** Do not move the equipment by pushing or pulling on the breath guard.

- This equipment is to be used on a flat, level surface.
- Controls and drains need to be accessible at all times of operation.

---

## STANDARD CAFETERIA BREATH GUARD INSTALLATION

---



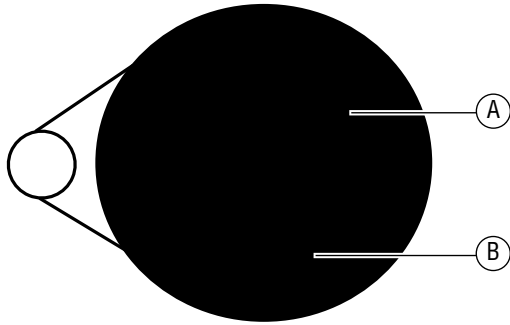
- A** Breath Guard Support Tube
- B** Breath Guard Top
- C** Breath Guard End Panel
- D** Upright

| Included Hardware   |         |
|---|---------|
|  | Cap Nut |
|  | Stud    |
|  | Screw   |

If your equipment includes the non-NSF2 breath guard, the breath guard will need to be installed.

1. Install the breath guard uprights to the studs securing with cap nuts as shown. Repeat for all four uprights.
2. Install the breath guard support tube between the uprights securing with cap nuts as shown. Repeat on the other side.
3. Install breath guard top securing with screws and cap nuts as shown. Repeat for all four mounting locations.
4. Install the breath guard end panel to the uprights securing with cap nuts as shown. Repeat on the other side

## CONTROLS



- A Heat Control Knob.** The 0 position is OFF.  
**B Power Light.** Illuminates when the well is turned ON.

## OPERATION

|   |  |
|---|--|
|   | <b>WARNING</b>   |
|   | <b>Electrical Shock Hazard</b><br>Keep water and other liquids from entering the inside of the unit. Liquid inside the unit could cause an electrical shock. |
| Do not overfill pans or trays. Liquid could contact the electrical components and cause a short circuit or an electrical shock. |  |

|  |  |
|--|--|
|  | <b>CAUTION</b>   |
|  | <b>Burn Hazard</b><br>Do not touch hot food, liquid or heating surfaces while equipment is heating or operating. |

**NOTICE:** Using a voltage other than the nameplate rated voltage will cause damage to the unit. Incorrect voltage, modification to the power cord or electrical components can damage unit and will void the warranty.

**NOTICE:** Drop-in meets NSF4 performance standards only when using moist heat. Operation with water is required for even heating of the food product.

**NOTICE:** Do not use food pans deeper than 4" (10 cm).

- Place spillage pans in the well opening.
- Fill each spillage pan with approximately two quarts of clean fresh water. Do not overfill.
- Plug electrical power cord into a outlet that matches the rated voltage on the nameplate.
- Turn the temperature control to the maximum heat setting.
- Cover the wells with empty food containers or covers. Allow the water to preheat for 60 minutes.
- Place containers of hot food, above 140 °F (60 °C), into the preheated equipment.
- Reduce the heat setting to a level that will maintain a safe holding temperature and maintain food quality.

**NOTICE:** Monitor food temperature closely for food safety. The United States Public Health Service recommends that hot food be held at a minimum of 140 °F (60 °C) to help prevent bacteria growth.

- Maintain the water level during operation. Periodically (approximately every two hours) remove the containers of food and check the water level. Add hot water if needed.
- Use gloves, mitts or pot holders to protect hands when removing hot food containers.

## CLEANING

|  |   |
|--|---|
|  | <b>WARNING</b>  |
|  | <b>Electrical Shock Hazard</b><br>Do not spray water or cleaning products. Liquid could contact the electrical components and cause a short circuit or an electrical shock. |

|  |  |
|--|--|
|  | <b>CAUTION</b>   |
|  | <b>Burn Hazard</b><br>Hot surfaces and food can burn skin. Allow the hot surfaces to cool before handling. |

**NOTICE:** Do not use caustic cleaning chemicals, steel wool or commercial lime removal products to clean the equipment. Thoroughly rinse equipment with water after cleaning.

To maintain the appearance and increase the service life, clean your equipment daily.

- Turn the heat control to the 0 setting. Place the power switch in the OFF position.
- Unplug the equipment.
- Use gloves, mitts or pot holders to protect hands when removing hot food containers.
- Allow the equipment to cool completely before cleaning.
- Remove the spillage pans and dispose of the water.
- Use a damp cloth or sponge dipped in soapy water to clean the inside of the well and the outside of the equipment.
- Thoroughly rinse the equipment with clean water after cleaning.

### Clean The Breath Guard

Always use a clean soft lint free cloth or microfiber cloth.

Clean with a neutral cleaner such as a solution of warm water and a small amount of dish detergent or products specifically made for cleaning Plexiglas® and acrylic plastic.

Recommended cleaners for Plexiglas® and acrylic include:

- Novus® #1
- Plexi-Clear
- Brilliance®

### What Not To Do

- Do not use cleaners containing ammonia, alcohol, acetone or dry cleaning products. Cleaners with these chemicals will damage Plexiglas®, acrylic and other plastics.
- Do not use paper towels, abrasive materials, scratching cleansers, razor blades, brushes, steel wool or scouring pads, such as Scotch Brite™ pads.
- Do not use WD-40® or petroleum, industrial or commercial cleaning products.

### Removing Minor Scratches

Fine scratches can be removed with a specialized mild abrasive polish such as Novus #2, or Novus #3. Heavier scratches may require sanding and buffing. Hand sand with series of sandpapers with increasingly finer grits (250,400,600). Then use a buffing wheel and buffing compound.

---

## TROUBLESHOOTING

---

| Problem   | Might be Caused By                     | Course of Action   |
|---|--|--|
| Switch does not illuminate when in the "ON" position. | Equipment is not plugged in.           | Plug in the equipment.   |
| Wells are not getting hot. Food is not staying hot.   | Low or incorrect voltage to equipment. | Verify the source voltage matches the rated voltage on the nameplate on the equipment. If not, have qualified electrical personal install proper source voltage. |
|   | No water or incorrect water level.     | Add water to correct level.  |

---

## WARRANTY STATEMENT FOR THE VOLLRATH CO. L.L.C.

---

This warranty does not apply to products purchased for personal, family or household use, and The Vollrath Company LLC does not offer a written warranty to purchasers for such uses.

The Vollrath Company LLC warrants the products it manufactures or distributes against defects in materials and workmanship as specifically described in our full warranty statement. In all cases, the warranty runs from the date of the end user's original purchase date found on the receipt. Any damages from improper use, abuse, modification or damage resulting from improper packaging during return shipment for warranty repair will not be covered under warranty.

For complete warranty information, product registration and new product announcement, visit [www.vollrath.com](http://www.vollrath.com).

---

## SERVICE AND REPAIR

---

Serviceable parts are available on [Vollrath.com](http://Vollrath.com).

To avoid serious injury or damage, never attempt to repair the unit or replace a damaged power cord yourself. Do not send units directly to The Vollrath Company LLC. Please contact Vollrath Technical Services for instructions.

When contacting Vollrath Technical Services, please be ready with the item number, model number (if applicable), serial number, and proof of purchase showing the date the unit was purchased.



[www.vollrath.com](http://www.vollrath.com)

---

### The Vollrath Company, L.L.C.

1236 North 18th Street  
Sheboygan, WI 53081-3201 U.S.A.  
Main Tel: 800.624.2051 or 920.457.4851  
Main Fax: 800.752.5620 or 920.459.6573  
Customer Service: 800.628.0830  
Canada Customer Service: 800.695.8560

### Technical Services

[techservicereps@vollrathco.com](mailto:techservicereps@vollrathco.com)  
Induction Products: 800.825.6036  
Countertop Warming Products: 800.354.1970  
Toasters: 800-309-2250  
All Other Products: 800.628.0832

# Manuel d'utilisation

## Station pour aliments chauds Affordable Portable™



Merci d'avoir acheté cet appareil Vollrath. Avant de l'utiliser, lisez et familiarisez-vous avec le mode d'emploi et les consignes d'utilisation qui suivent. CONSERVEZ CES INSTRUCTIONS POUR RÉFÉRENCE ULTÉRIEURE.

| Description   | Noir    | Similibois de noyer | Similibois cerise | Granite | Blanc    | Naturel américain | Aluminium brossé |
|---|---------|---------------------|-------------------|---------|----------|-------------------|------------------|
| <b>Station pour aliments chauds standard 3 compartiments, avec pare-haleine, buffet – 120 V</b> |         |                     |                   |         |          |                   |                  |
| Base fermée   | 38707   | 38935               | 38767             | 38727   | 38727W   | 38727N            | 38707            |
| Base fermée avec éclairage  | 3870746 | 3893546             | 3876746           | 3872746 | 3872746W | 3872746N          | 3870746          |
| Base de rangement ouverte   | 38708   | 38936               | 38768             | 38728   | 38728W   | 38728N            | 38708            |
| Base de rangement ouverte avec éclairage  | 3870846 | 3893646             | 3876846           | 3872846 | 3872846W | 3872846N          | 3870846          |
| Base de rangement avec porte  | 38709   | 38937               | 38769             | 38729   | 38729W   | 38729N            | 38709            |
| Base de rangement avec porte et éclairage   | 3870946 | 3893746             | 3876946           | 3872946 | 3872946W | 3872946N          | 3870946          |
| <b>Station pour aliments chauds 3 compartiments, avec pare-haleine NSF2, cafétéria – 120 V</b>  |         |                     |                   |         |          |                   |                  |
| Base fermée   | 39707   | 39935               | 39767             | 39727   | 39727W   | 39727N            | 39707            |
| Base de rangement ouverte   | 39708   | 39936               | 39768             | 39728   | 39728W   | 39728N            | 39708            |
| Base de rangement avec porte  | 39709   | 39937               | 39769             | 39729   | 39729W   | 39729N            | 39709            |
| <b>Station pour aliments chauds standard 4 compartiments, avec pare-haleine, buffet – 120 V</b> |         |                     |                   |         |          |                   |                  |
| Base fermée   | 38710   | 38945               | 38770             | 38730   | 38730W   | 38730N            | 38710            |
| Base fermée avec éclairage  | 3871060 | 3894560             | 3877060           | 3873060 | 3873060W | 3873060N          | 3871060          |
| Base de rangement ouverte   | 38711   | 38946               | 38771             | 38731   | 38731W   | 38731N            | 38711            |
| Base de rangement ouverte avec éclairage  | 3871160 | 3894660             | 3877160           | 3873160 | 3873160W | 3873160N          | 3871160          |
| Base de rangement avec porte  | 38712   | 38947               | 38772             | 38732   | 38732W   | 38732N            | 38712            |
| Base de rangement avec porte et éclairage   | 3871260 | 3894760             | 3877260           | 3873260 | 3873260W | 3873260N          | 3871260          |
| <b>Station pour aliments chauds 4 compartiments, avec pare-haleine NSF2, cafétéria – 120 V</b>  |         |                     |                   |         |          |                   |                  |
| Base fermée   | 39710   | 39945               | 39770             | 39730   | 39730W   | 39730N            | 39730A           |
| Base de rangement ouverte   | 39711   | 39948               | 39771             | 39731   | 39731W   | 39731N            | 39731A           |
| Base de rangement avec porte  | 39712   | 39947               | 39772             | 39732   | 39732W   | 39732N            | 39732A           |

## CONSIGNES DE SÉCURITÉ

Pour garantir un fonctionnement sûr, lisez les avertissements suivants et comprenez leur signification. Ce manuel contient des consignes de sécurité, présentées ci-dessous. Lisez-les attentivement.

### **⚠ AVERTISSEMENT**

Un avertissement permet d'indiquer la présence d'un danger qui causera ou peut causer des blessures personnelles graves ou la mort.

### **⚠ ATTENTION**

Une mise en garde indique la présence d'un danger qui causera ou pourra causer des blessures mineures ou majeures si elle est ignorée.

**AVIS :** Un avis met en évidence des informations qui sont importantes mais sans rapport avec un danger.

### **Pour réduire le risque de blessures et d'endommagement de l'appareil**

- Branchez l'appareil uniquement sur une prise de terre correspondant à la tension nominale indiquée sur la plaque signalétique.
- N'utilisez pas de rallonge électrique avec cet appareil. Ne branchez pas cet appareil sur une barrette d'alimentation ou un cordon d'alimentation à prises multiples.
- Cet appareil doit uniquement être utilisé en position horizontale.
- Débranchez l'appareil et laissez-le refroidir avant de le nettoyer ou de le déplacer.
- N'aspergez pas les commandes avec des liquides ou des produits nettoyants.
- Débranchez l'appareil lorsque vous ne comptez pas l'utiliser.
- Tenez l'appareil et son cordon d'alimentation à l'écart des flammes nues, des brûleurs électriques ou d'une chaleur excessive.
- N'utilisez pas l'appareil sans surveillance.
- Surveillez de près les appareils utilisés dans des lieux publics et/ou à proximité d'enfants.
- N'utilisez pas de bacs à aliments de plus de 10 cm (4 po) de profondeur.
- N'utilisez pas l'appareil s'il a été endommagé ou s'il fonctionne mal.
- N'utilisez pas l'appareil sans eau dans le compartiment.

## FONCTION ET OBJET

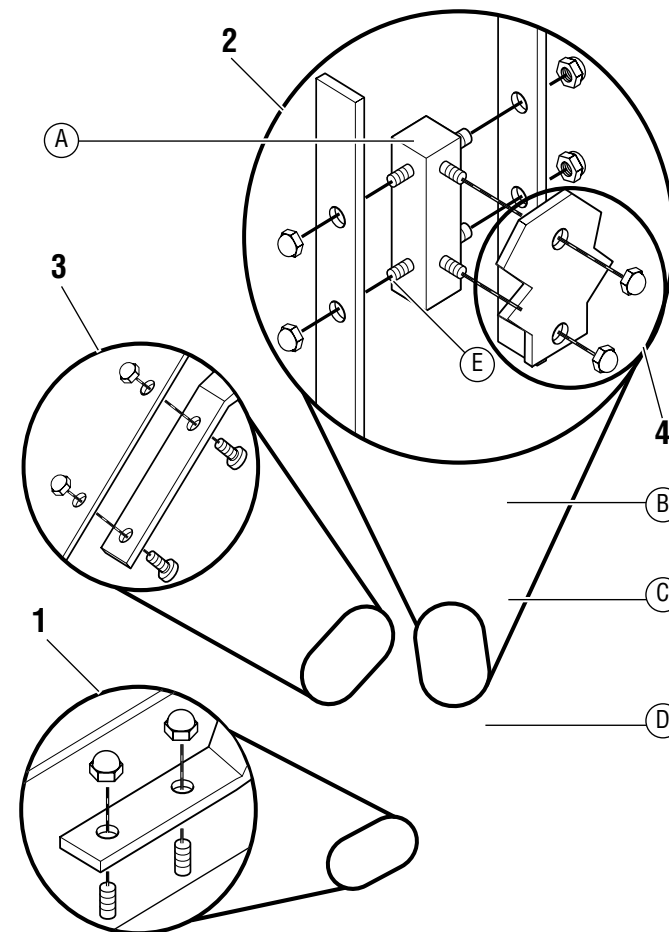
Cet appareil est destiné au maintien des aliments chauds à des températures de service adéquates. Les stations pour aliments chauds sont destinées à une utilisation dans les opérations de restauration commerciales. Les stations pour aliments chauds ne sont pas prévues pour faire cuire des aliments crus ou réchauffer des plats préparés. Les aliments doivent être préparés et placés dans les stations pour aliments aux températures correctes de service. Les stations pour aliments chauds ne sont pas prévues pour une utilisation ménagère, industrielle ou en laboratoire.

## POSITIONNEMENT ET DÉGAGEMENT

**AVIS :** Ne déplacez pas l'appareil en poussant ou tirant sur le pare-haleine.




- Cet appareil doit être utilisé sur une surface horizontale.
- Les commandes et les trous d'évacuation doivent être accessibles à tout moment de l'utilisation.

## PARE-HALEINE STANDARD POUR CAFÉTÉRIA INSTALLATION



- A** Tube-support de pare-haleine
- B** Dessus de pare-haleine
- C** Panneau d'extrémité de pare-haleine
- D** Montant

## Matériel nécessaire

| Quincaillerie fournie   |              |
|---|--------------|
|  | Écrou borgne |
|  | Goujon       |
|  | Vis          |

Si votre appareil inclut le pare-haleine non-NSF2, le pare-haleine devra être installé.

1. Installez les montants du pare-haleine sur les goujons en les fixant avec les écrous borgnes, comme illustré. Répétez la procédure pour les quatre montants.
2. Installez le tube-support du pare-haleine entre les montants en le fixant avec les écrous borgnes, comme illustré. Répétez de l'autre côté.
3. Installez le dessus du pare-haleine en le fixant avec les vis et les écrous borgnes, comme illustré. Répétez aux quatre points de montage.
4. Installez le panneau d'extrémité du pare-haleine sur les montants en le fixant avec les écrous borgnes, comme illustré. Répétez de l'autre côté.

## COMMANDES



- A Thermostat.** À la position 0, l'appareil est arrêté.  
**B Voyant Marche.** S'allume quand le compartiment est en marche.

## MODE D'EMPLOI

|  |  |
|--|--|
|  | <b>AVERTISSEMENT</b><br><b>Risque d'électrocution</b><br>Empêchez toute infiltration d'eau et autres liquides dans l'appareil. L'infiltration de liquide dans l'appareil risque de causer une électrocution. |
| Ne remplissez pas trop les bacs ou les plateaux. Du liquide risque d'entrer en contact avec les composants électriques et de causer un court-circuit ou une décharge électrique. |  |

|  |  |
|--|--|
|  | <b>ATTENTION</b><br><b>Risque de brûlure</b><br>Ne touchez pas les aliments chauds, le liquide ou les surfaces chauffantes quand l'appareil chauffe ou fonctionne. |
|--|--|

**AVIS :** L'utilisation d'une tension différente de la tension nominale indiquée sur la plaque signalétique endommagera l'appareil. Une tension incorrecte, la modification du cordon d'alimentation ou les composants électriques risquent d'endommager l'appareil et d'annuler la garantie.

**AVIS :** Le bac encastrable est conforme aux normes de performance NSF4 uniquement avec une chaleur humide. Une utilisation avec de l'eau est requise pour le chauffage uniforme du produit alimentaire.

**AVIS :** N'utilisez pas de bacs Gastronorm de plus de 4" (10 cm) de profondeur.

- Placez les bacs à eau dans l'ouverture du compartiment.
- Remplissez chaque bac à eau de 2 litres d'eau fraîche et claire environ. Ne remplissez pas trop.
- Branchez le câble électrique sur une prise indiquant la tension nominale de la plaque signalétique.
- Tournez le thermostat au réglage maximum.
- Couvrez les compartiments avec des bacs GN vides ou des couvercles. Laissez chauffer l'eau pendant 60 minutes.
- Placez les récipients d'aliments chauds à plus de 140 °F (60 °C) dans l'appareil préchauffé.
- Baissez la température à un niveau qui assurera le maintien des aliments à une température sûre et garantissant leur qualité.

**AVIS :** Surveillez de près la température des aliments pour maintenir la sécurité des aliments. Les services d'hygiène publique des États-Unis préconisent le maintien des aliments chauds à 140 °F (60 °C) minimum pour éviter la prolifération des bactéries.

- Maintenez le niveau d'eau en cours d'utilisation. Enlevez périodiquement (toutes les 2 heures environ) les bacs contenant les aliments et vérifiez le niveau d'eau. Ajoutez de l'eau chaude au besoin.

- Lorsque vous retirez des récipients d'aliments chauds de l'appareil, munissez-vous de gants de four ou de maniques pour vous protéger les mains.

## NETTOYAGE

|  |  |
|--|--|
|  | <b>AVERTISSEMENT</b><br><b>Risque d'électrocution</b><br>Ne vaporisez pas d'eau ou de produits nettoyants. Du liquide risque d'entrer en contact avec les composants électriques et de causer un court-circuit ou une décharge électrique. |
|--|--|

|  |   |
|--|---|
|  | <b>ATTENTION</b><br><b>Risque de brûlure</b><br>Les surfaces et aliments chauds peuvent causer des brûlures. Laissez refroidir les surfaces chaudes avant manipulation. |
|--|---|

**AVIS :** N'utilisez pas de produits chimiques nettoyants caustiques, de laine d'acier ou de détartrants commerciaux pour nettoyer l'appareil. Rincez minutieusement l'appareil à l'eau après nettoyage.

Pour maintenir l'appareil et augmenter la durée de service, nettoyez chaque jour l'appareil.

- Mettez le thermostat à 0. Placez l'interrupteur de marche/arrêt en position Arrêt.
- Débranchez l'appareil.
- Lorsque vous retirez des récipients d'aliments chauds de l'appareil, munissez-vous de gants de four ou de maniques pour vous protéger les mains.
- Laissez complètement refroidir l'appareil avant de le nettoyer.
- Enlevez les bacs à eau et jetez l'eau.
- À l'aide d'un chiffon humide ou d'une éponge trempée dans de l'eau savonneuse, nettoyez l'intérieur du compartiment et l'extérieur de l'appareil.
- Rincez minutieusement l'appareil à l'eau propre après nettoyage.

### Nettoyage du pare-haleine

Utilisez toujours un chiffon non pelucheux propre et doux ou un chiffon microfibre.

Nettoyez avec un nettoyant neutre comme une solution d'eau chaude et une petite quantité de liquide vaisselle ou des produits spécialement conçus pour le nettoyage du Plexiglas® et du plastique acrylique.

Les nettoyants recommandés pour le Plexiglas® et l'acrylique incluent :

- Novus® #1
- Plexi-Clear
- Brilliance®

### À ne pas faire

- Ne pas utiliser de nettoyants contenant de l'ammoniaque, de l'alcool, de l'acétone ou des produits de nettoyage à sec sous peine d'endommager le Plexiglas®, l'acrylique et autres plastiques.
- Ne pas utiliser d'essuie-tout, de matériaux abrasifs, nettoyants qui rayent, lames de rasoir, brosses, laine d'acier ou tampons à recurer, comme du Scotch Brite™.
- Ne pas utiliser de WD-40® ou un produit nettoyant à base de pétrole, industriel ou commercial.

### Élimination des rayures légères

Les rayures légères s'enlèvent avec un produit spécial légèrement abrasif tel que du Novus #2 ou #3. Les rayures plus profondes pourront nécessiter un ponçage et bufflage. Poncez à la main avec une série de papiers de verre à grains de plus en plus fins (250, 400 et 600). Ensuite, utilisez une meule et une pâte à polir.

---

## DÉPANNAGE

---

| Problème  | Cause possible   | Mesure corrective   |
|---|--|---|
| L'interrupteur ne s'allume pas quand il est en position Marche.         | L'appareil n'est pas branché.                                      | Branchez-le.  |
| Les compartiments ne chauffent pas. Les aliments ne restent pas chauds. | Tension d'alimentation basse ou incorrecte appliquée à l'appareil. | Vérifiez que la tension d'alimentation correspond à la tension nominale qui apparaît sur la plaque signalétique de l'appareil. Sinon, demandez à un électricien qualifié d'installer une alimentation de la tension correcte. |
|   | Pas d'eau ou niveau d'eau incorrect.                               | Ajoutez de l'eau jusqu'au niveau correct.   |

---

## GARANTIE DE THE VOLLRATH CO. L.L.C.

---

Cette garantie ne s'applique pas aux produits achetés pour un usage personnel, familial ou ménager, et The Vollrath Company LLC ne propose aucune garantie écrite aux acheteurs pour de telles utilisations.

The Vollrath Company LLC garantit que les produits qu'elle fabrique et distribue seront dépourvus de vices de matériaux et de malfaçons, comme indiqué dans notre déclaration complète de garantie. Dans tous les cas, la garantie entre en vigueur à la date d'achat par l'utilisateur initial indiquée sur le reçu. Tous les dommages subis lors d'une utilisation impropre ou abusive, ou résultant d'une modification ou d'un emballage inadéquat lors d'un renvoi du produit pour une réparation sous garantie ne seront pas couverts par la garantie.

Pour des informations complètes sur la garantie, l'enregistrement des produits et l'annonce de nouveaux produits, consultez [www.vollrath.com](http://www.vollrath.com).

---

## SAV ET RÉPARATIONS

---

Des pièces détachées sont disponibles sur [Vollrath.com](http://Vollrath.com).

Pour éviter toute blessure grave ou tout dommage sévère, n'essayez jamais de réparer l'appareil ou de remplacer vous-même un cordon d'alimentation endommagé. N'envoyez aucun appareil directement à The Vollrath Company LLC. Pour des instructions, contactez les services techniques de Vollrath.

Lorsque vous contacterez les services techniques de Vollrath, tenez-vous prêt à fournir le numéro d'article, le numéro de modèle (s'il y a lieu), le numéro de série et le justificatif d'achat indiquant la date d'achat de l'appareil.



[www.vollrath.com](http://www.vollrath.com)

### The Vollrath Company, L.L.C.

1236 North 18th Street  
Sheboygan, WI 53081-3201 États-Unis  
Standard : 800.624.2051 ou 920.457.4851  
Télécopieur : 800.752.5620 ou 920.459.6573  
Service clientèle : 800.628.0830  
Service clientèle Canada : 800.695.8560

### Services techniques :

[techservicereps@vollrathco.com](mailto:techservicereps@vollrathco.com)  
Produits à induction : 800.825.6036  
Réchauds de comptoir : 800.354.1970  
Grille-pains : 800.309.2250  
Tous les autres produits : 800.628.0832

# Manual para operadores

## Estación de comida caliente Affordable Portable™



Gracias por comprar este equipo Vollrath. Antes de usar el equipo, lea y familiarícese con las siguientes instrucciones de operación y seguridad. CONSERVE ESTAS INSTRUCCIONES COMO REFERENCIA PARA EL FUTURO.

| Descripción  | Negro   | Veta de madera de nogal | Veta de madera de cerezo | Granito | Blanco   | Americano natural | Aluminio cepillado |
|--|---------|-------------------------|--------------------------|---------|----------|-------------------|--------------------|
| <b>Estación de comida caliente estándar de 3 receptáculos con protección contra aliento para banquetes – 120 V</b> |         |                         |                          |         |          |                   |                    |
| Base sólida  | 38707   | 38935                   | 38767                    | 38727   | 38727W   | 38727N            | 38727A             |
| Base sólida c/luces  | 3870746 | 3893546                 | 3876746                  | 3872746 | 3872746W | 3872746N          | 3872746A           |
| Base de almacenamiento abierta   | 38708   | 38936                   | 38768                    | 38728   | 38728W   | 38728N            | 38728A             |
| Base de almacenamiento abierta c/luces   | 3870846 | 3893646                 | 3876846                  | 3872846 | 3872846W | 3872846N          | 3872846A           |
| Base de almacenamiento c/puerta  | 38709   | 38937                   | 38769                    | 38729   | 38729W   | 38729N            | 38729A             |
| Almacenamiento c/puerta, c/luces   | 3870946 | 3893746                 | 3876946                  | 3872946 | 3872946W | 3872946N          | 3872946A           |
| <b>Estación de comida caliente de 3 receptáculos con protección contra aliento para autoservicio NSF2 – 120 V</b>  |         |                         |                          |         |          |                   |                    |
| Base sólida  | 39707   | 39935                   | 39767                    | 39727   | 39727W   | 39727N            | 39727A             |
| Base de almacenamiento abierta   | 39708   | 39936                   | 39768                    | 39728   | 39728W   | 39728N            | 39728A             |
| Base de almacenamiento c/puerta  | 39709   | 39937                   | 39769                    | 39729   | 39729W   | 39729N            | 39729A             |
| <b>Estación de comida caliente estándar de 4 receptáculos con protección contra aliento para banquetes – 120 V</b> |         |                         |                          |         |          |                   |                    |
| Base sólida  | 38710   | 38945                   | 38770                    | 38730   | 38730W   | 38730N            | 38730A             |
| Base sólida c/luces  | 3871060 | 3894560                 | 3877060                  | 3873060 | 3873060W | 3873060N          | 3873060A           |
| Base de almacenamiento abierta   | 38711   | 38946                   | 38771                    | 38731   | 38731W   | 38731N            | 38731A             |
| Base de almacenamiento abierta c/luces   | 3871160 | 3894660                 | 3877160                  | 3873160 | 3873160W | 3873160N          | 3873160A           |
| Base de almacenamiento c/puerta  | 38712   | 38947                   | 38772                    | 38732   | 38732W   | 38732N            | 38732A             |
| Almacenamiento c/puerta, c/luces   | 3871260 | 3894760                 | 3877260                  | 3873260 | 3873260W | 3873260N          | 3873260A           |
| <b>Estación de comida caliente de 4 receptáculos con protección contra aliento para autoservicio NSF2 – 120 V</b>  |         |                         |                          |         |          |                   |                    |
| Base sólida  | 39710   | 39945                   | 39770                    | 39730   | 39730W   | 39730N            | 39730A             |
| Base de almacenamiento abierta   | 39711   | 39946                   | 39771                    | 39731   | 39731W   | 39731N            | 39731A             |
| Base de almacenamiento c/puerta  | 39712   | 39947                   | 39772                    | 39732   | 39732W   | 39732N            | 39732A             |

## PRECAUCIONES DE SEGURIDAD

Para garantizar una operación segura, lea las siguientes afirmaciones y comprenda su significado. Este manual contiene precauciones de seguridad que se explican a continuación. Léalas atentamente.

### **⚠ ADVERTENCIA**

Advertencia se usa para indicar la presencia de un peligro que provocará o puede provocar lesiones graves o letales.

### **⚠ PRECAUCIÓN**

Precaución se usa para indicar la presencia de un peligro que provocará o puede provocar lesiones leves o importantes si se ignora el aviso.

**AVISO:** Aviso se usa para señalar información importante no relacionada con peligros.

### **Para disminuir el riesgo de lesiones personales o daños al equipo**

- Enchúfelo solo en tomacorrientes con puesta a tierra cuyo voltaje nominal corresponda al indicado en la placa identificatoria.
- No use un cable de extensión con este equipo. No enchufe este equipo en una regleta eléctrica ni cable de múltiples tomas.
- Este equipo debe utilizarse solo en posición plana y nivelada.
- Desenchúfelo y deje que se enfríe antes de limpiarlo o trasladarlo.
- No rocíe con líquido ni agentes de limpieza los controles.
- Desenchúfelo cuando no esté en uso.
- Mantenga el equipo y el cable eléctrico lejos de llamas expuestas, quemadores eléctricos o calor excesivo.
- No lo deje funcionando solo.
- Supervise de cerca las unidades en áreas públicas y/o cerca de niños.
- No use fuentes de más de 4" (10 cm) de profundidad.
- No opere el equipo si se ha dañado o si funciona defectuosamente.
- No lo opere si el receptáculo no tiene agua.

## FUNCIÓN Y PROPÓSITO

Este equipo está diseñado para mantener los alimentos calientes a temperaturas de servicio apropiadas. Las estaciones para comida caliente están diseñadas para ser usadas en operaciones comerciales de servicio de comidas. Las estaciones para comida caliente no están diseñadas para cocer alimentos crudos ni recalentar comida preparada. La comida debe prepararse y colocarse en las estaciones a temperaturas de servicio apropiadas. Las estaciones para comida caliente no están diseñadas para uso doméstico, industrial ni de laboratorio.

## UBICACIÓN Y ESPACIO LIBRE

**AVISO:** No mueva el equipo empujando o tirando de la protección contra aliento.

- Este equipo debe utilizarse en una superficie plana y nivelada.
- Se debe poder acceder a los controles y drenajes en todo momento de la operación.

## PROTECCIÓN CONTRA ALIENTO ESTÁNDAR PARA AUTOSERVICIO INSTALACIÓN



- A** Tubo de apoyo de la protección contra aliento
- B** Parte superior de la protección contra aliento
- C** Panel extremo de la protección contra aliento
- D** Poste

## Herramientas que necesitará

| Herrajes incluidos |               |
|--------------------|---------------|
|                    | Tapón roscado |
|                    | Puntal        |
|                    | Tornillo      |

Si su equipo incluye la protección contra aliento sin certificación NSF2, se deberá instalar la protección contra aliento.

1. Instale los postes de la protección en los vástagos afianzándolos con los tapones roscados tal como se muestra. Repita para los cuatro postes.
2. Instale el tubo de apoyo de la protección contra aliento entre los postes afianzándolos con los tapones roscados tal como se muestra. Repita el procedimiento en el lado opuesto.
3. Instale la parte superior de la protección contra aliento afianzándola con los tornillos y los tapones roscados tal como se muestra. Repita este procedimiento en las cuatro ubicaciones de montaje.
4. Instale el panel extremo de la protección en los postes afianzándolos con los tapones roscados tal como se muestra. Repita el procedimiento en el lado opuesto.

## CONTROLES



- A Perilla controladora de calor.** La posición “0” corresponde a apagado.
- B Luz de suministro.** Se ilumina cuando el receptáculo está encendido.

## FUNCIONAMIENTO

|   |   |
|---|---|
|   | <b>ADVERTENCIA</b><br><b>Peligro de descarga eléctrica</b><br>Evite que ingrese agua o cualquier otro tipo de líquido al interior de la unidad, ya que ello podría causar una descarga eléctrica. |
| No llene excesivamente las fuentes ni bandejas. El líquido podría hacer contacto con los componentes eléctricos y causar un cortocircuito o una descarga eléctrica. |   |

|  |   |
|--|---|
|  | <b>PRECAUCIÓN</b><br><b>Peligro de quemaduras</b><br>No toque la comida y líquidos calientes ni las superficies de calentamiento cuando equipo esté calentando o funcionando. |
|--|---|

**AVISO:** Usar un voltaje distinto del indicado en la placa identificatoria dañará la unidad. Usar un voltaje incorrecto, o modificar el cable eléctrico o los componentes electrónicos puede dañar la unidad e invalidará la garantía.

**AVISO:** El empotrado cumple con las normas de rendimiento NSF4 solo cuando se usa con calor húmedo. Debe funcionar con agua para calentar uniformemente la comida.

**AVISO:** No use fuentes de más de 4" (10 cm) de profundidad.

1. Coloque las fuentes para derrame en la abertura del receptáculo.
2. Llene cada fuente con aproximadamente 2 cuartos de galón (1,9 litros) de agua limpia y fresca. No las llene excesivamente.
3. Enchufe el cable eléctrico en un tomacorriente cuyo voltaje nominal corresponda al indicado en la placa identificatoria.
4. Gire el control de temperatura hasta el ajuste máximo de calor.
5. Cubra los receptáculos con tapas o recipientes de comida vacíos. Deje que el agua se precaliente durante 60 minutos.
6. Coloque los recipientes de comida caliente por sobre los 140 °F (60 °C), en el equipo precalentado.
7. Reduzca el ajuste de calor hasta un nivel que permita mantener una temperatura de conservación segura y la calidad del alimento.

**AVISO:** Supervise estrechamente la temperatura de la comida para mantenerla segura. El Servicio de Salud Pública de los Estados Unidos (United States Public Health Service) recomienda mantener los alimentos calientes a un mínimo de 140 °F (60 °C) para prevenir el crecimiento de bacterias.

8. Mantenga el nivel del agua durante el funcionamiento. Retire periódicamente (aproximadamente cada 2 horas) los recipientes de comida y revise el nivel del agua. Agregue agua caliente si es necesario.

9. Use guantes, mitones o tomaoallas para protegerse las manos cuando retire los recipientes de comida caliente.

## LIMPIEZA

|  |   |
|--|---|
|  | <b>ADVERTENCIA</b><br><b>Peligro de descarga eléctrica</b><br>No rocíe el equipo con agua ni productos de limpieza. El líquido podría hacer contacto con los componentes eléctricos y causar un cortocircuito o una descarga eléctrica. |
|--|---|

|  |  |
|--|--|
|  | <b>PRECAUCIÓN</b><br><b>Peligro de quemaduras</b><br>Las superficies y comidas calientes pueden quemar la piel. Deje que las superficies calientes se enfríen antes de manipularlas. |
|--|--|

**AVISO:** No use productos de limpieza cáusticos, lana de acero ni productos de uso comercial para la eliminación de carbonatos a fin de limpiar el equipo. Enjuague completamente el equipo con agua tras limpiarlo.

Para conservar su aspecto hermoso y prolongar su vida útil, limpie diariamente el equipo.

1. Gire el control térmico hasta el ajuste “0”. Coloque el interruptor de suministro en la posición de apagado.
2. Desenchufe el equipo.
3. Use guantes, mitones o tomaoallas para protegerse las manos cuando retire los recipientes de comida caliente.
4. Deje que el equipo se enfríe totalmente antes de limpiarlo.
5. Retire los recipientes para derrame y deseche el agua.
6. Use un paño húmedo o esponja sumergida en agua jabonosa para limpiar el interior del receptáculo y la parte externa del equipo.
7. Enjuague completamente el equipo con agua limpia tras limpiarlo.

### Limpie la protección contra aliento

Siempre use un paño limpio y suave sin pelusas o un paño de microfibra.

Limpie con un limpiador neutro como una solución de agua tibia y una pequeña cantidad de detergente para loza o productos específicos para la limpieza de Plexiglas® y plásticos acrílicos.

Entre los limpiadores recomendados para el Plexiglas® y el acrílico se incluyen:

- Novus® #1
- Plexi-Clear
- Brilliantize®

### Lo que no debe hacer

- No use limpiadores que contengan amoníaco, alcohol, acetona o productos de limpieza en seco. Los limpiadores con estos químicos dañarán el Plexiglas®, el acrílico y otros plásticos.
- No use toallas de papel, materiales abrasivos, limpiadores que rayen, hojas de afeitar, cepillos, lana de acero ni esponjas metálicas, tales como almohadillas Scotch Brite™.
- No use WD-40® ni petróleo, ni productos de limpieza industriales o comerciales.

### Eliminación de rayas menores

Las rayas finas pueden eliminarse con un pulimento abrasivo suave especializado como el Novus #2 o Novus #3. Las rayas más intensas pueden requerir lijado y pulido. Lije a mano con una serie de lijas de grano cada vez más fino (250, 400, 600). Luego, use una galleta pulidora y un compuesto pulidor.

## SOLUCIÓN DE PROBLEMAS

| Problema   | Podría deberse a                      | Curso de acción  |
|--|---------------------------------------|--|
| El interruptor no se ilumina cuando está en la posición de encendido.    | El equipo no está enchufado.          | Enchúfelo.   |
| Los receptáculos no se están calentando La comida no permanece caliente. | Voltaje del equipo bajo o incorrecto. | Verifique que el suministro de voltaje corresponda al voltaje nominal indicado en la placa identificatoria del equipo. Si no es así, pida a personal eléctrico calificado que instale el suministro de voltaje correcto. |
|  | Sin agua o nivel de agua incorrecto.  | Agregue agua hasta el nivel correcto.  |

## CLÁUSULA DE GARANTÍA DE THE VOLLRATH CO. L.L.C.

Esta garantía no se aplica a los productos adquiridos para uso personal, familiar ni doméstico, y The Vollrath Company LLC no ofrece una garantía por escrito a los compradores para dichos usos.

The Vollrath Company LLC garantiza los productos que fabrica o distribuye contra defectos en materiales y fabricación, según se especifica en nuestra cláusula de garantía completa. En todos los casos, la garantía rige desde la fecha de compra original del usuario final que aparece en el recibo. La garantía no cubrirá ningún daño que resulte del uso indebido, abuso, modificación o daños causados por el embalado incorrecto durante la devolución para obtener servicio de reparación dentro del período de vigencia de la garantía.

Para obtener información de garantía, inscripción de productos y anuncios de productos nuevos, visite [www.vollrath.com](http://www.vollrath.com).

## SERVICIO Y REPARACIÓN

En [Vollrath.com](http://Vollrath.com) encontrará las piezas que puedan ser reparadas.

Para evitar lesiones o daños materiales graves, no trate de reparar la unidad ni reemplazar un cable eléctrico por su cuenta. No envíe las unidades directamente a The Vollrath Company LLC. Pida instrucciones a los Servicios de asistencia técnica de Vollrath.

Al comunicarse con los servicios, esté listo para proporcionar el número de artículo, número de modelo (si corresponde), número de serie y el comprobante de compra que muestre la fecha en que adquirió la unidad.



[www.vollrath.com](http://www.vollrath.com)

### The Vollrath Company, L.L.C.

1236 North 18th Street  
Sheboygan, WI 53081-3201 EE. UU.  
Tel. principal: 800.624.2051 o 920.457.4851  
Fax principal: 800.752.5620 o 920.459.6573  
Servicio al cliente: 800.628.0830  
Servicio al cliente en Canadá: 800.695.8560

Servicios de asistencia técnica  
[techservicereps@vollrathco.com](mailto:techservicereps@vollrathco.com)  
Productos de inducción: 800.825.6036  
Productos de calentamiento para mostrador:  
800.354.1970  
Tostadores: 800.309.2250  
Todos los demás productos: 800.628.0832