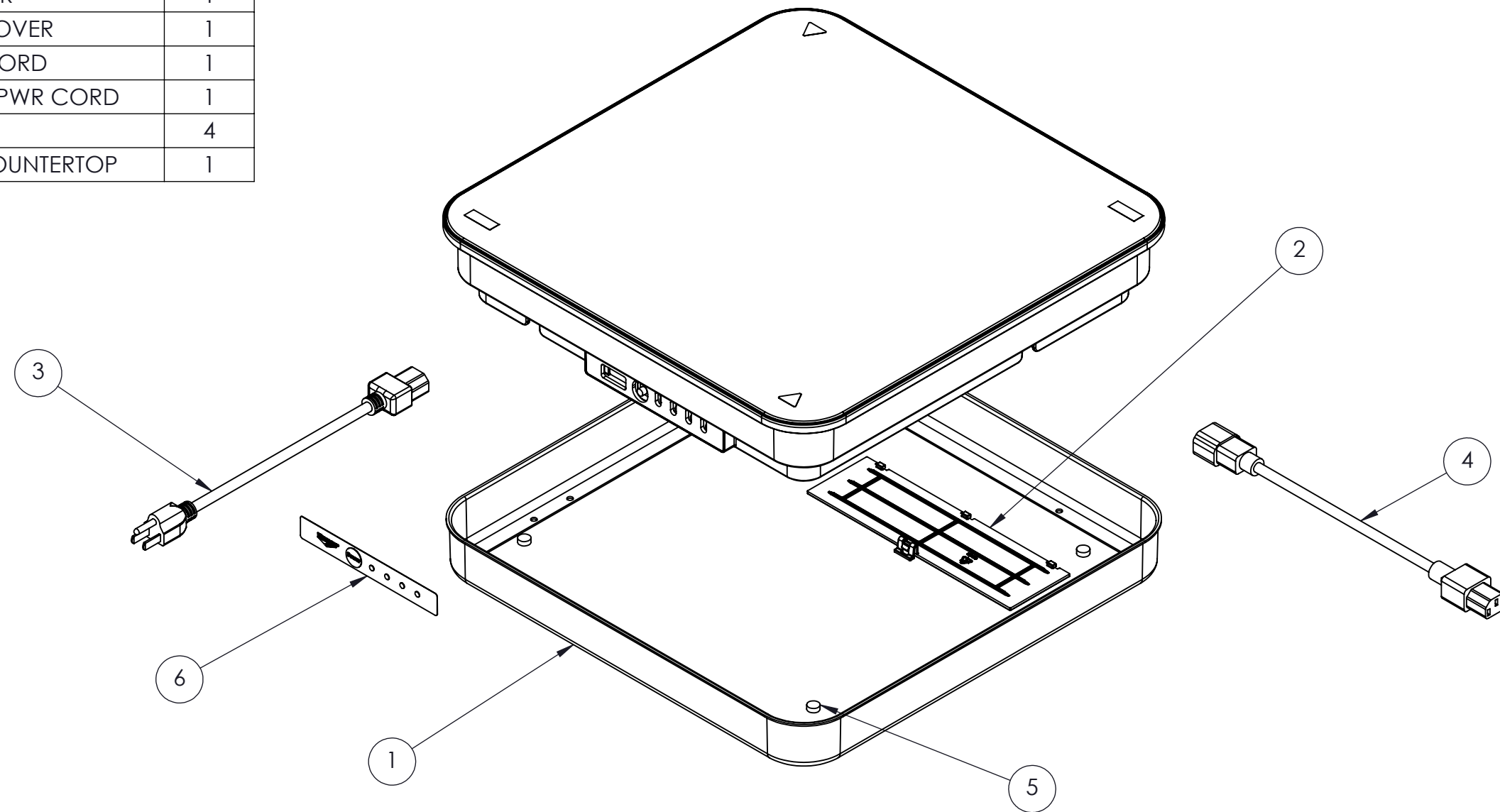




ITEM NO.	PART NO.	DESCRIPTION	QTY.
1	5950202-1	BLACK WRAPPER	1
2	25964-1	CORD STORAGE COVER	1
3	25966-1	14 AWG POWER CORD	1
4	25968-1	18 AWG INTERCONNECT PWR CORD	1
5	25990-1	RUBBER FEET	4
6	46371-1	CTRL PANEL OVERLAY-COUNTERTOP	1



CUSTOMER SERVICEABLE PARTS