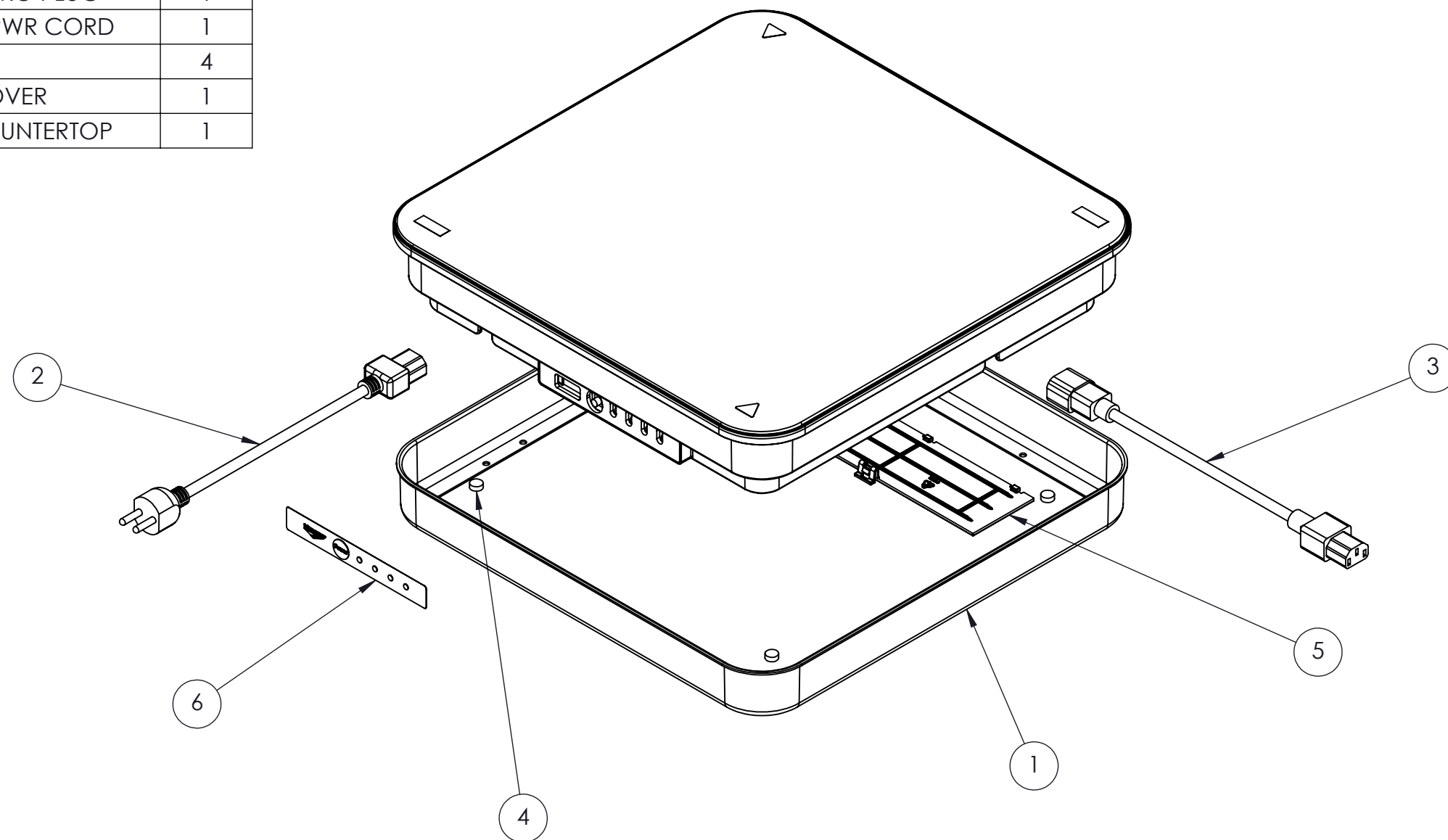




ITEM NO.	PART NO.	DESCRIPTION	QTY.
1	351121-1	BUFFET WARMER WRAPPER-CHAMPAGNE	1
2	26143-1	CORD AND PLUG SCHUKO PLUG	1
3	25968-1	18 AWG INTERCONNECT PWR CORD	1
4	25990-1	RUBBER FEET	4
5	25964-1	CORD STORAGE COVER	1
6	46371-1	CTRL PANEL OVERLAY-COUNTERTOP	1



CUSTOMER SERVICEABLE PARTS