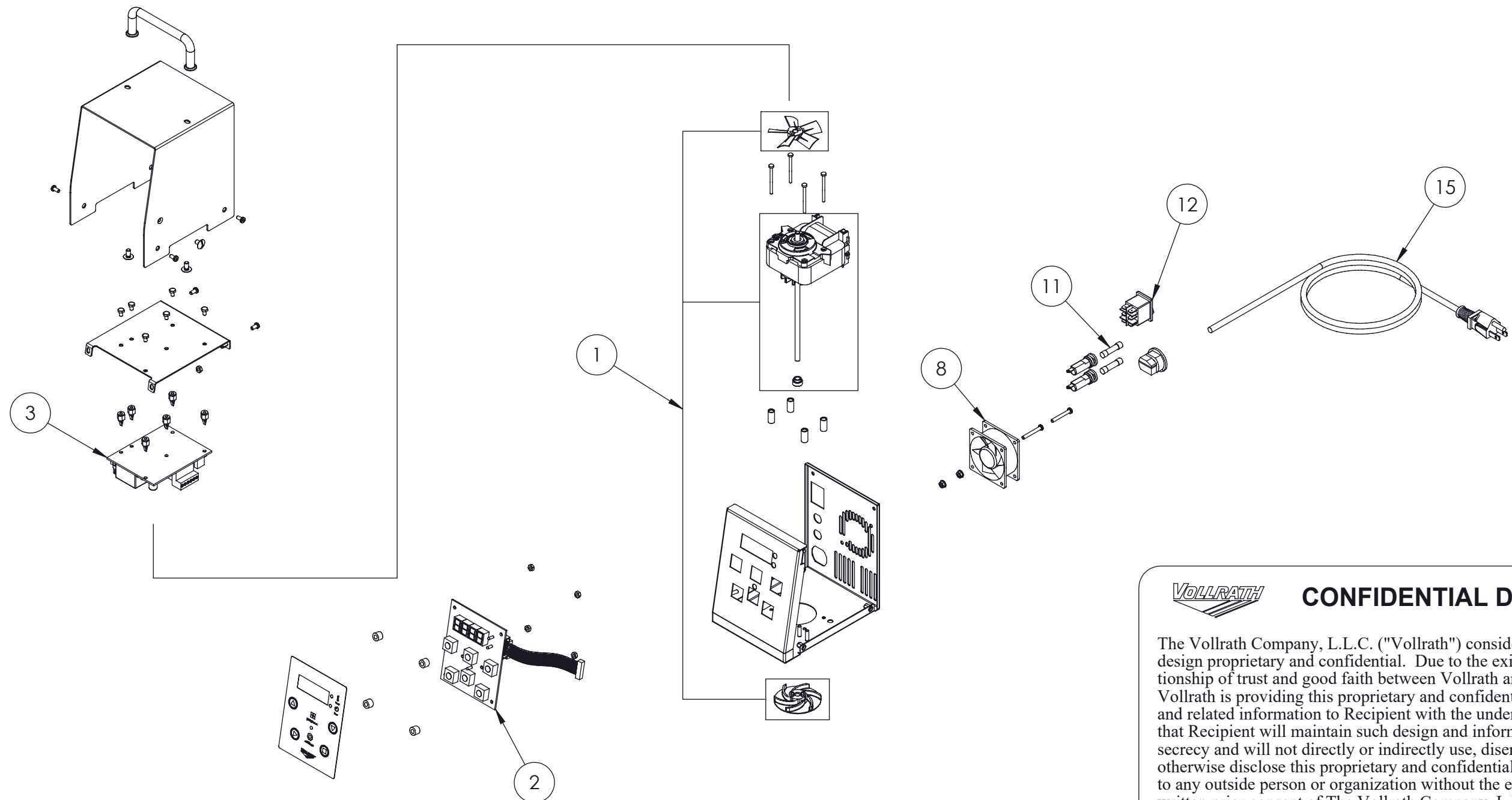




**SOUS VIDE CONTROL HEAD W/PLATE**

ITEM NO.	PART NUMBER	DESCRIPTION	QTY.
1	X SVM00001	KIT - CIRCULATOR MOTOR, 120V	1
2	X SVM00002	DIGITAL DISPLAY BOARD	1
3	X SVM00003	POWER BOARD, 120V	1
8	X SVM00008	COOLING FAN	1
12	X SVM00012	POWER SWITCH	1
15	X SVM00015	POWER CORD, 120V	1
11	X SVM00011	16A FUSE	2



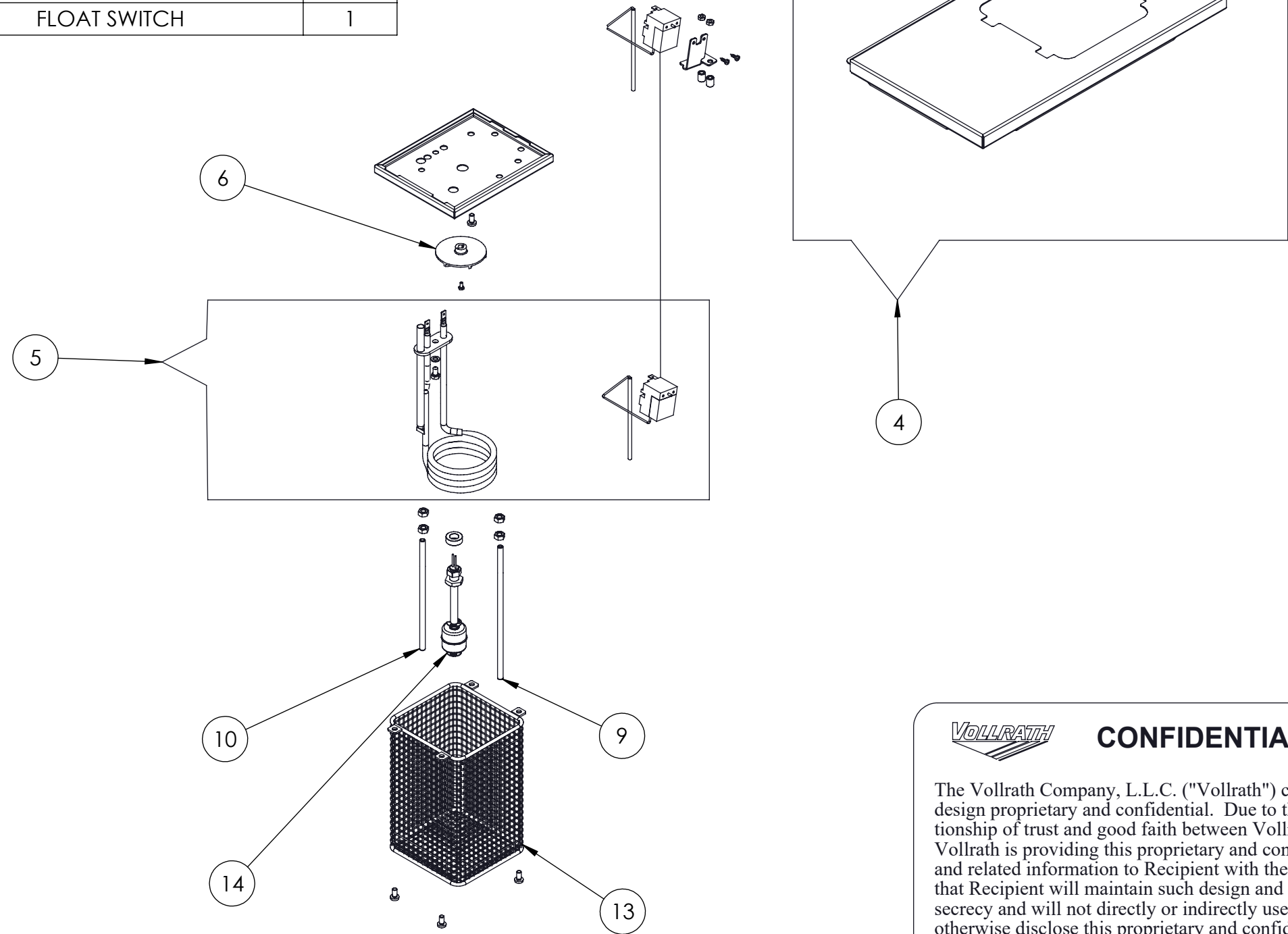
**VOLLRATH CONFIDENTIAL DESIGN**

The Vollrath Company, L.L.C. ("Vollrath") considers this new design proprietary and confidential. Due to the existing relationship of trust and good faith between Vollrath and Recipient, Vollrath is providing this proprietary and confidential design and related information to Recipient with the understanding that Recipient will maintain such design and information in secrecy and will not directly or indirectly use, disseminate, or otherwise disclose this proprietary and confidential information to any outside person or organization without the express written prior consent of The Vollrath Company, L.L.C.



### SOUS VIDE CONTROL HEAD W/PLATE

ITEM NO.	PART NUMBER	DESCRIPTION	QTY.
4	X SVM00004	BATH SUPPORT PLATE	1
5	X SVM00005	KIT - HEATER AND HIGH LIMIT, 120V	1
6	X SVM00006	CIRCULATOR IMPELLER	1
9	X SVM00009	SAFETY TEMP PROBE	1
10	X SVM00010	THERMOATATIC TEMP PROBE	1
13	X SVM00013	PROTECTIVE BASKET	1
14	X SVM00014	FLOAT SWITCH	1



### CONFIDENTIAL DESIGN

The Vollrath Company, L.L.C. ("Vollrath") considers this new design proprietary and confidential. Due to the existing relationship of trust and good faith between Vollrath and Recipient, Vollrath is providing this proprietary and confidential design and related information to Recipient with the understanding that Recipient will maintain such design and information in secrecy and will not directly or indirectly use, disseminate, or otherwise disclose this proprietary and confidential information to any outside person or organization without the express written prior consent of The Vollrath Company, L.L.C.