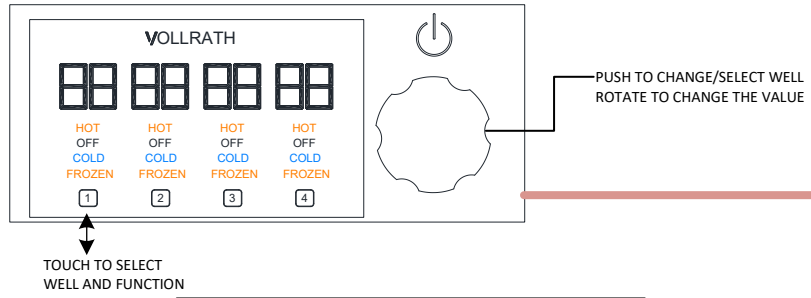
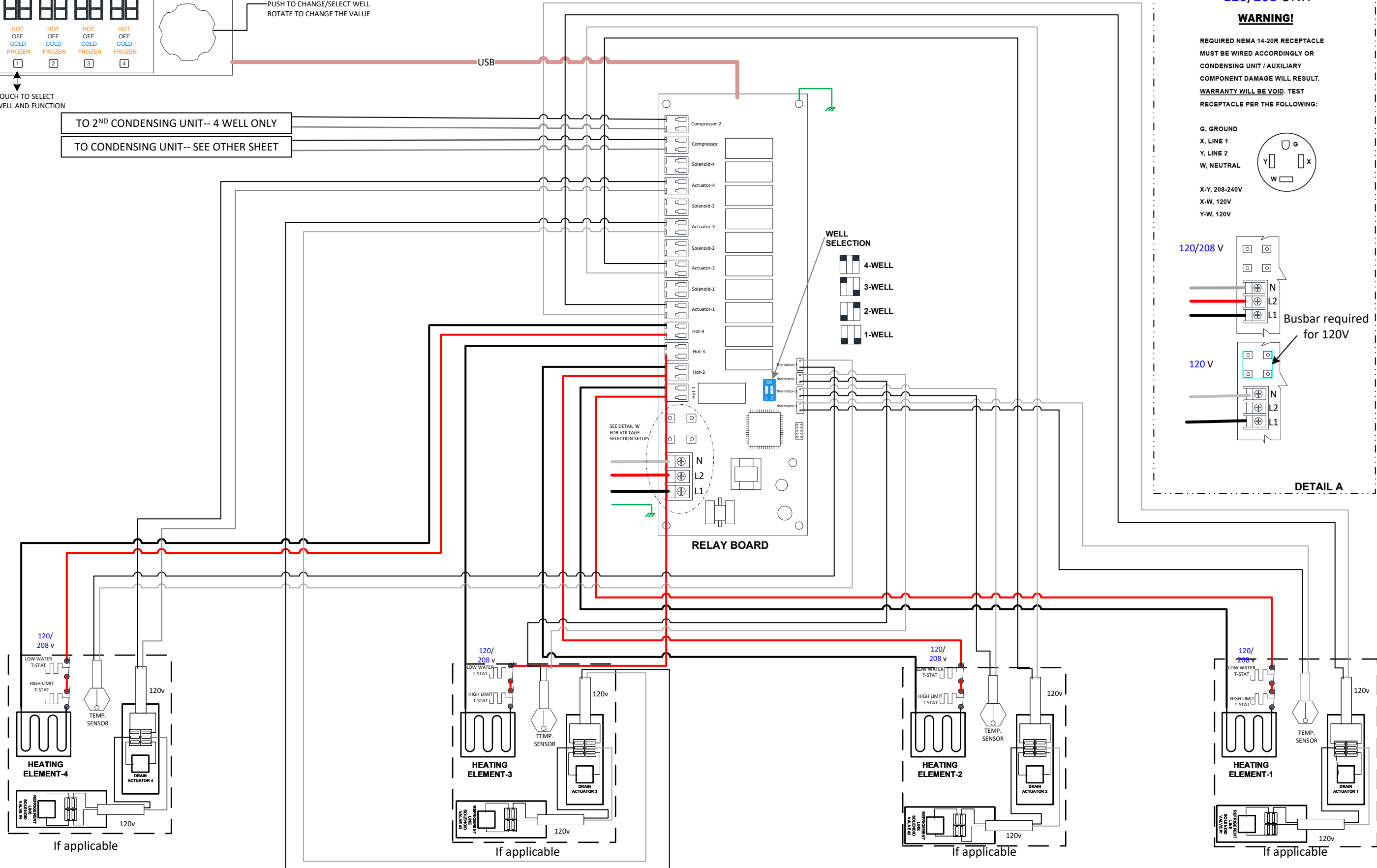


USER INTERFACE



356263-1
1-4 WELL HOT, COLD & FROZEN WIRING DIAGRAM

TO 2ND CONDENSING UNIT-- 4 WELL ONLY
 TO CONDENSING UNIT-- SEE OTHER SHEET



120/208 UNIT

WARNING!

REQUIRED NEMA 14-20R RECEPTACLE
 MUST BE WIRED ACCORDINGLY OR
 CONDENSING UNIT / AUXILIARY
 COMPONENT DAMAGE WILL RESULT.
 WARRANTY WILL BE VOID. TEST
 RECEPTACLE PER THE FOLLOWING:

G, GROUND
 X, LINE 1
 Y, LINE 2
 W, NEUTRAL

X-Y, 208-240V
 X-W, 120V
 Y-W, 120V

120/208 V

Busbar required for 120V

120 V

DETAIL A

- PS - POWER SUPPLY
- HPS - HIGH PRESSURE SWITCH
- PT - PRESSURE TRANSDUCER
- COMP - COMPRESSOR
- OLP - OVERLOAD PROTECTION
- MF - MOTOR FAN
- CS - STARTING CAPACITOR
- CCB - COMPRESSOR CONNECTING BOX

CONDENSING UNIT
UMX4121U

