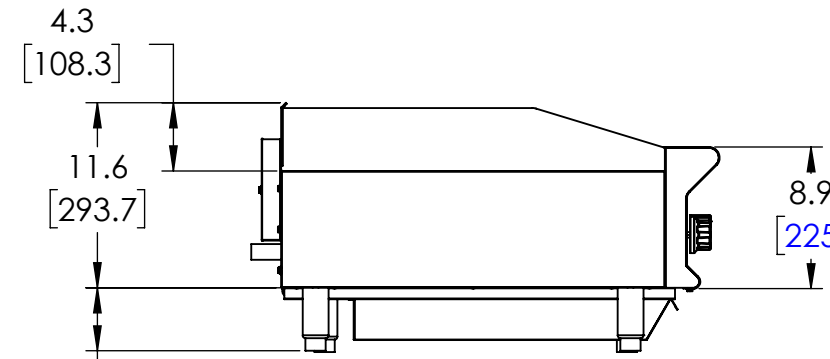
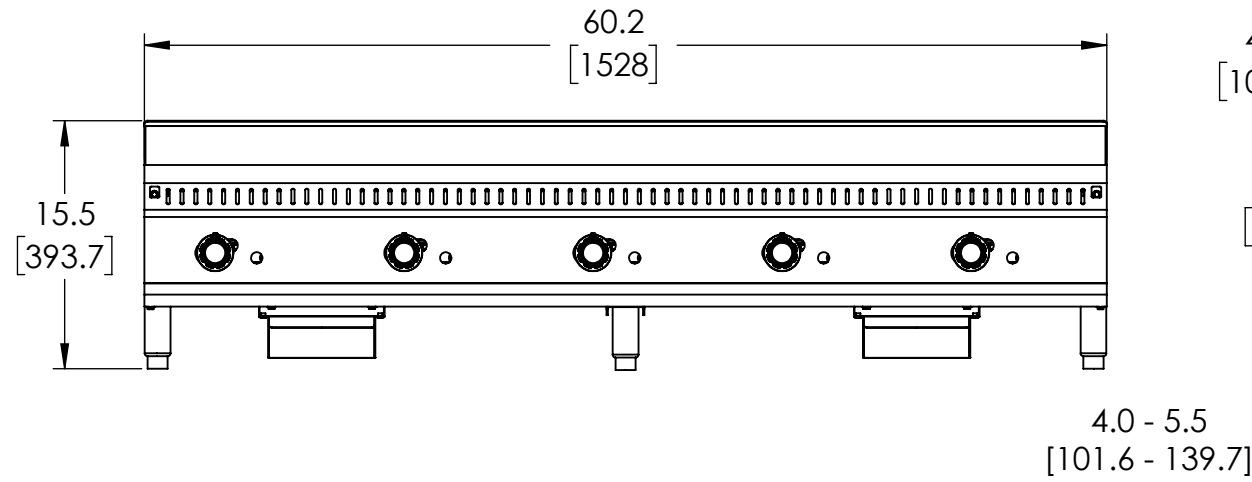


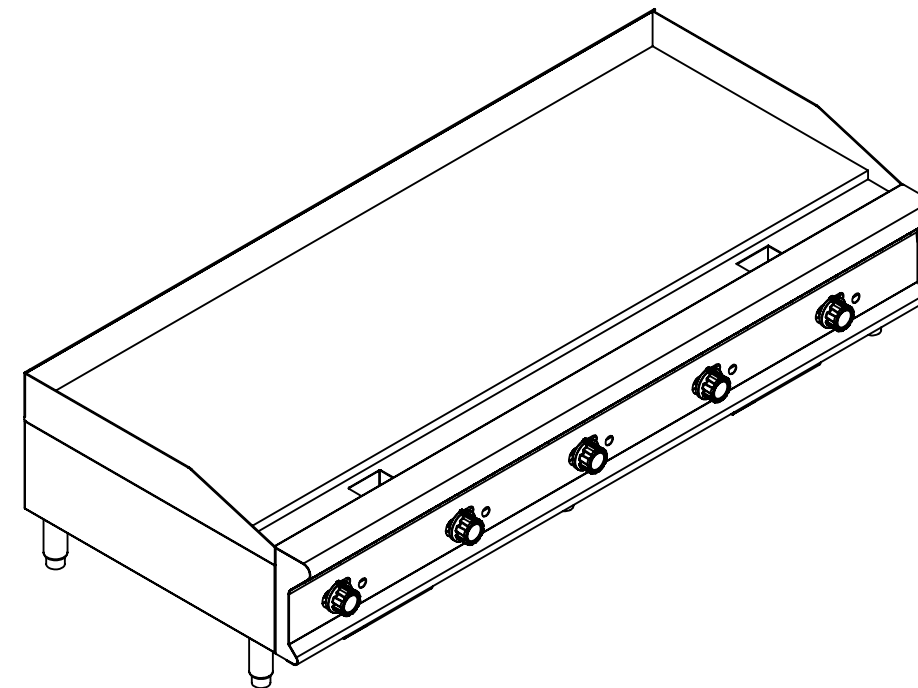
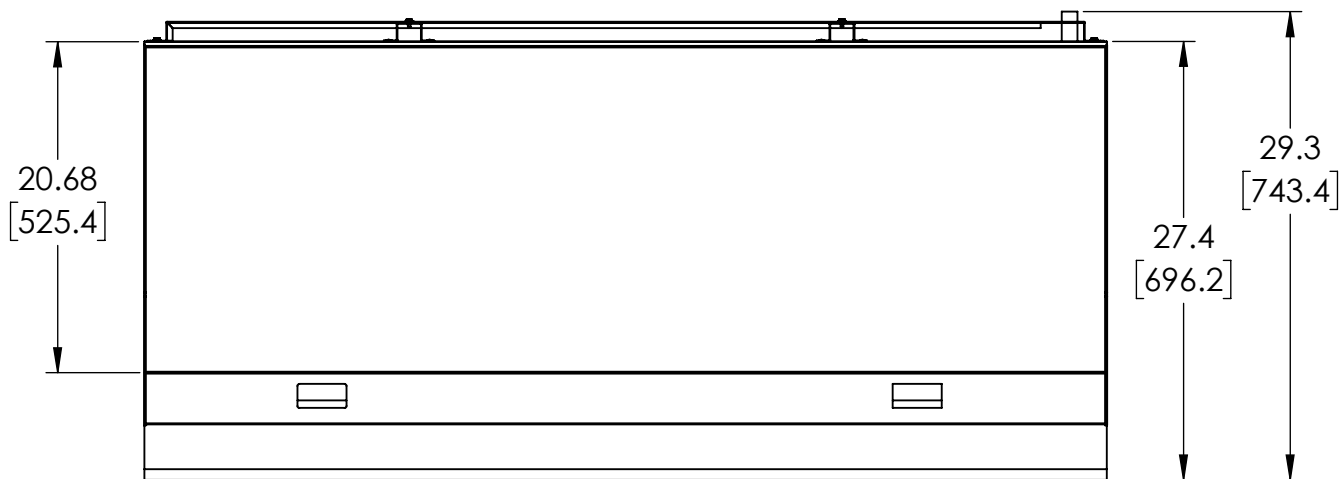
VOLLRATH MANUAL GAS GRIDDLE, 60", MEDIUM DUTY, 3/4" THICK PLATE

ITEM NO./MODEL NO.	DESCRIPTION
GGMDM-60	MANUAL GAS GRIDDLE, 60", MEDIUM DUTY, 3/4" THICK PLATE



NOTE:

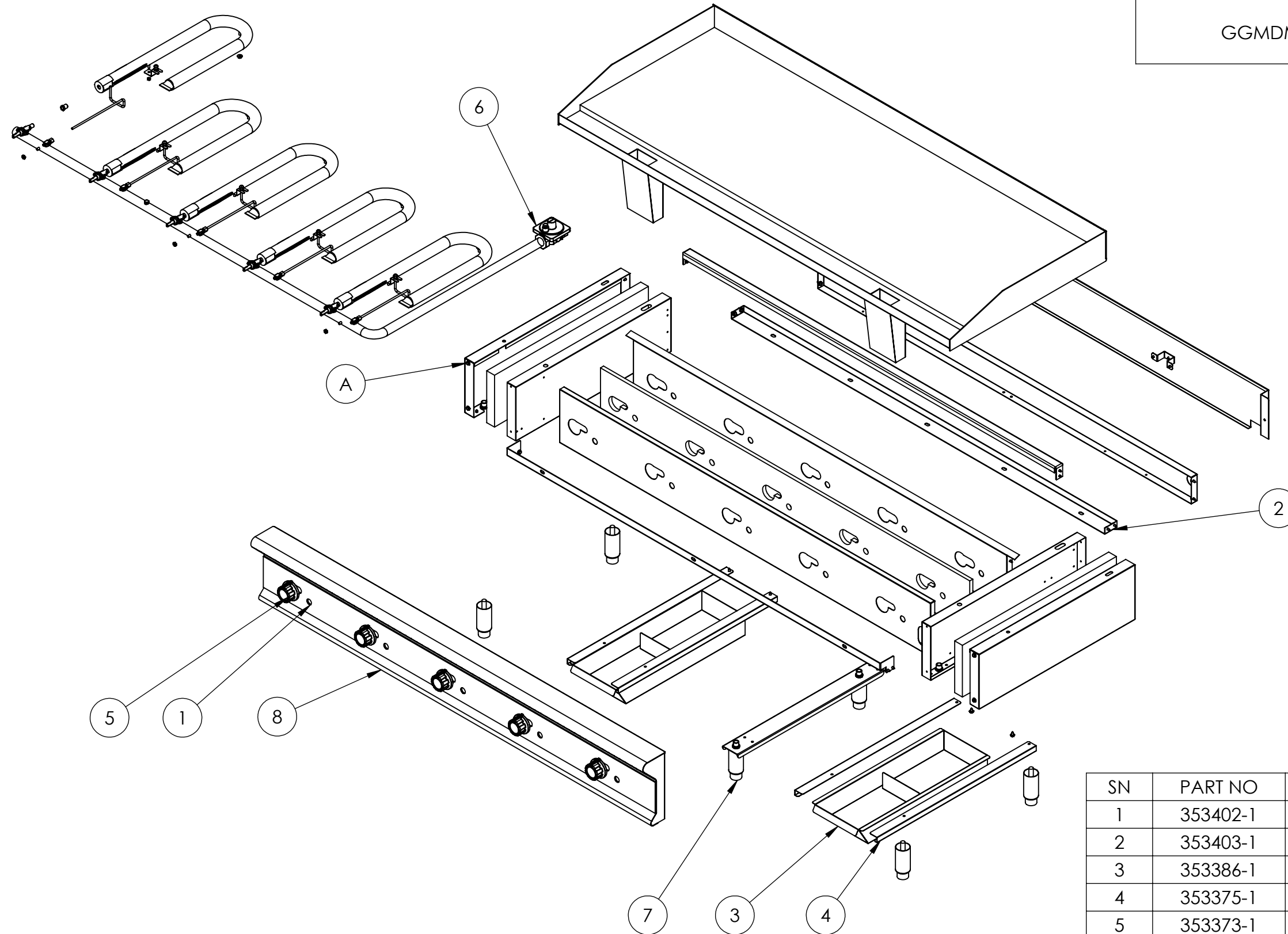
1. OUTPUT IS 140,000 BTU.
2. UNIT SHOULD BE INSTALLED UNDER A HOOD IN ACCORDANCE WITH THE LATEST EDITION OF THE STANDARD FOR VENTILATION CONTROL AND FIRE PROTECTION OF COMMERCIAL COOKING OPERATIONS, NFPA 96.
3. STANDING PILOTS WITH A MANUAL BURNER CONTROL VALVE FOR EACH BURNER. 3/4" NPT GAS INLET.
4. UNIT WEIGHT IS: 339.51 LBS.
5. MATERIALS: STAINLESS STEEL AND PRE-SEASONED CAST IRON.
6. CERTIFICATIONS:
 1. ANSI Z83.11:2016.
 2. CSA 1.8:2016.
 3. NSF/ANSI 4.



DIMENSIONS ARE IN INCHES (IN) UNLESS OTHERWISE NOTED.
DIMENSIONS IN BRACKETS ARE IN MILLIMETERS (MM) AND ARE FOR REFERENCE ONLY.

VOLLRATH MANUAL GAS GRIDDLE, 60", MEDIUM DUTY, 3/4" THICK PLATE

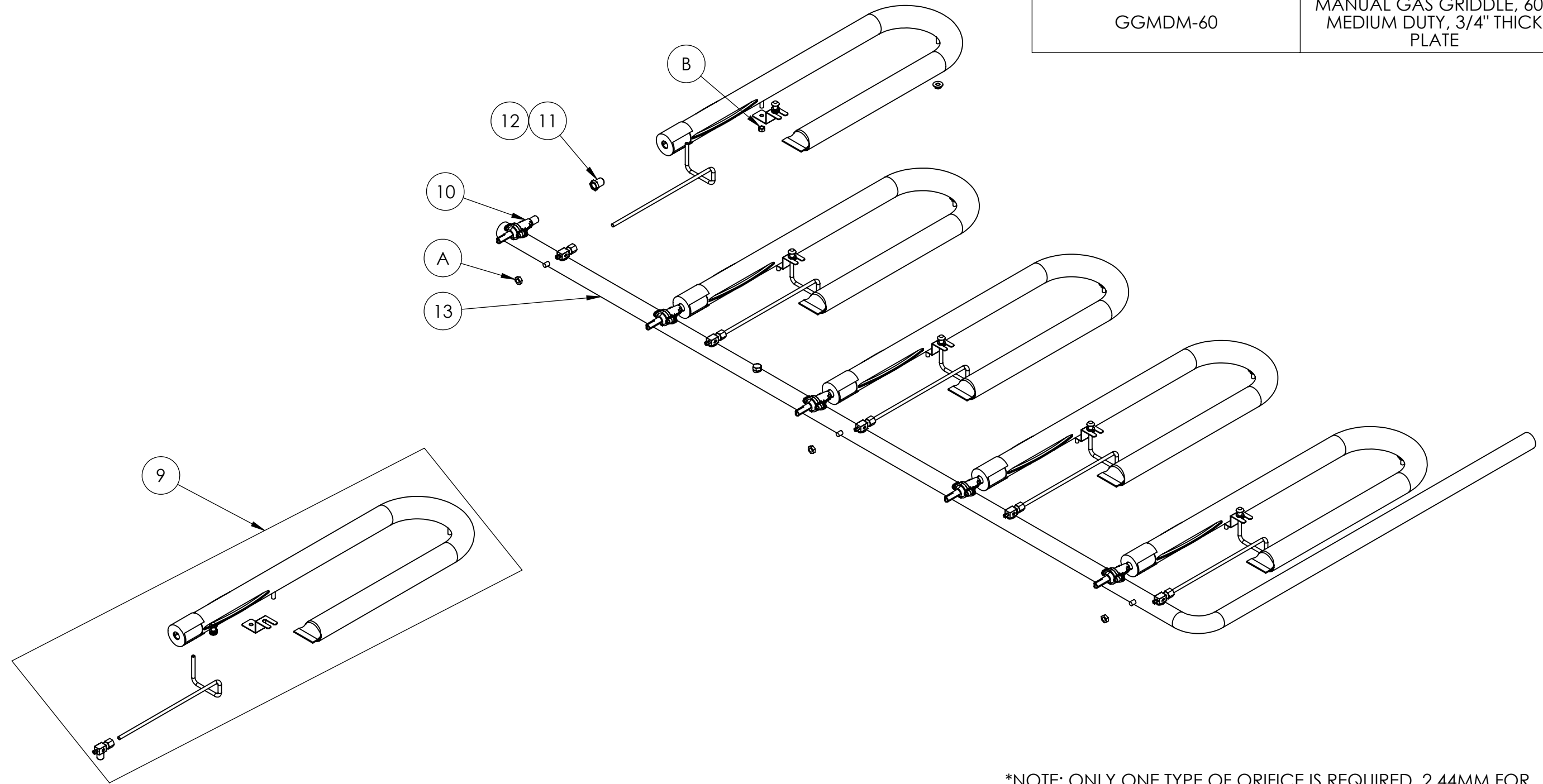
ITEM NO./MODEL NO.	DESCRIPTION
GGMDM-60	MANUAL GAS GRIDDLE, 60", MEDIUM DUTY, 3/4" THICK PLATE



HARDWARE (GENERAL SPECIFICATION)		
SN	DESCRIPTION	QTY
A	M5X0.8X10 SS TAP SCREW, FL HEX	36

SN	PART NO	DESCRIPTION	QTY
1	353402-1	FASCIA - 60IN MDM GRIDDLE	1
2	353403-1	BURNER SUPPORT - 60IN GRIDDLE	1
3	353386-1	DRIP TRAY - GRIDDLE	2
4	353375-1	DRIP TRAY SUPPORTS - MD GD	2
5	353373-1	CONTROL KNOB LG INSERT	5
6	353374-1	REGULATOR 4IN WC	1
7	353376-1	LEG, GAS APPLIANCE	6
8	354223-1	GGMDM-60 FRONT PANEL ASSY	1

ITEM NO./MODEL NO.	DESCRIPTION
GGMDM-60	MANUAL GAS GRIDDLE, 60", MEDIUM DUTY, 3/4" THICK PLATE



*NOTE: ONLY ONE TYPE OF ORIFICE IS REQUIRED, 2.44MM FOR NATURAL GAS OR 1.61MM FOR LP

HARDWARE (GENERAL SPECIFICATION)		
SN	DESCRIPTION	QTY
A	M6X1X5 SS HEX NUT	3
B	M5X0.8X4 SS HEX NUT	10

SN	PART NO	DESCRIPTION	QTY
9	353385-1	BURNER/PILOT ASSY - MDM GAS GR	5
10	353367-1	MANUAL CONTROL VALVE	5
11	353387-1	2.44MM BRASS ORIFICE *	5
12	353388-1	1.61MM BRASS ORIFICE *	5
13	353404-1	MANIFOLD - 60IN MDM GRIDDLE	1