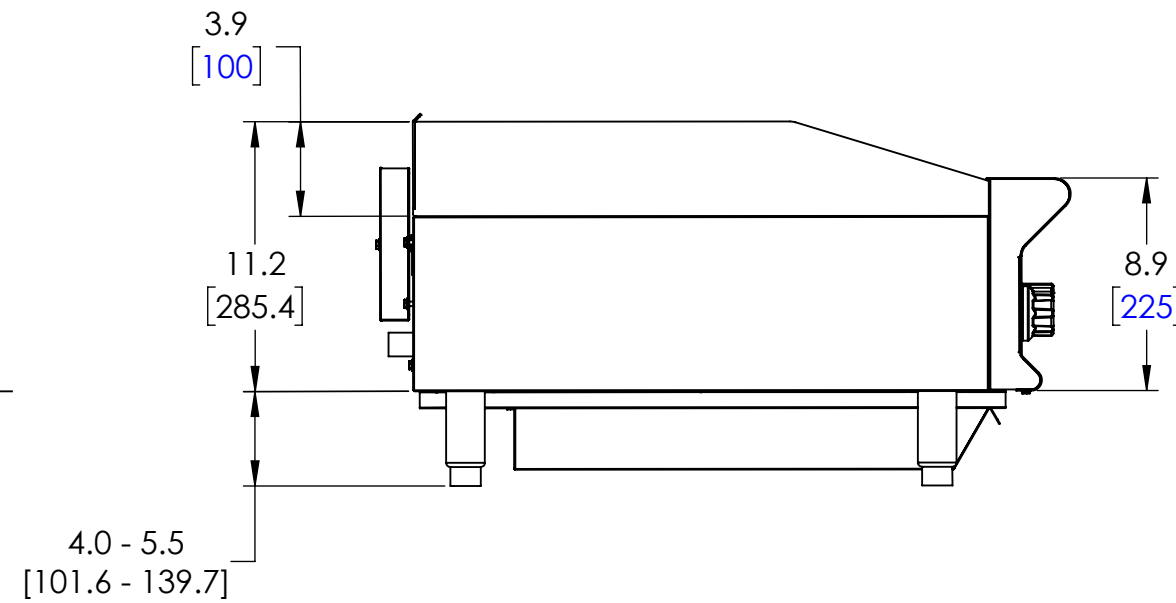
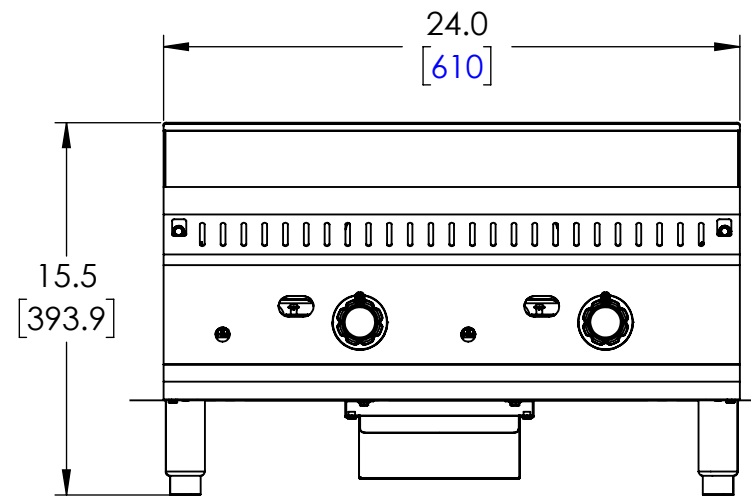


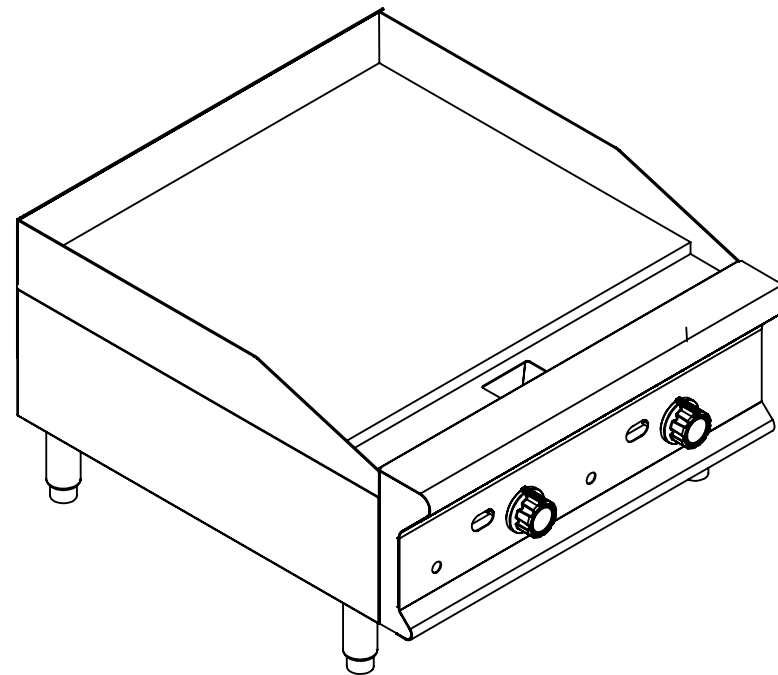
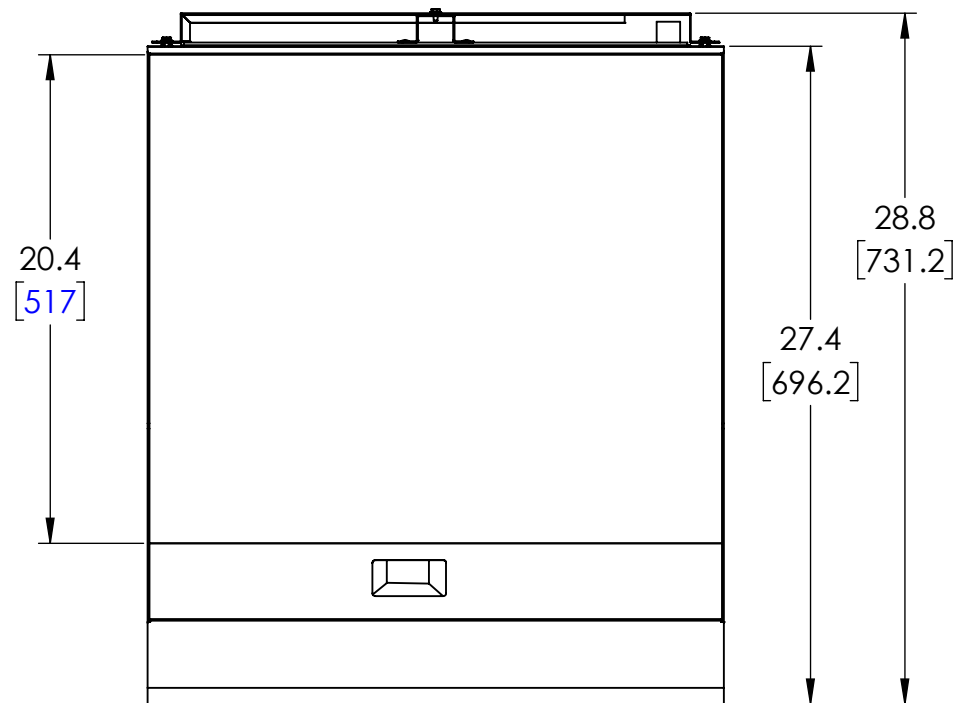
**VOLLRATH** THERMOSTAT GAS GRIDDLE, 24"

ITEM NO./MODEL NO.	DESCRIPTION
GGMDT-24	THERMOSTAT GAS GRIDDLE, 24"



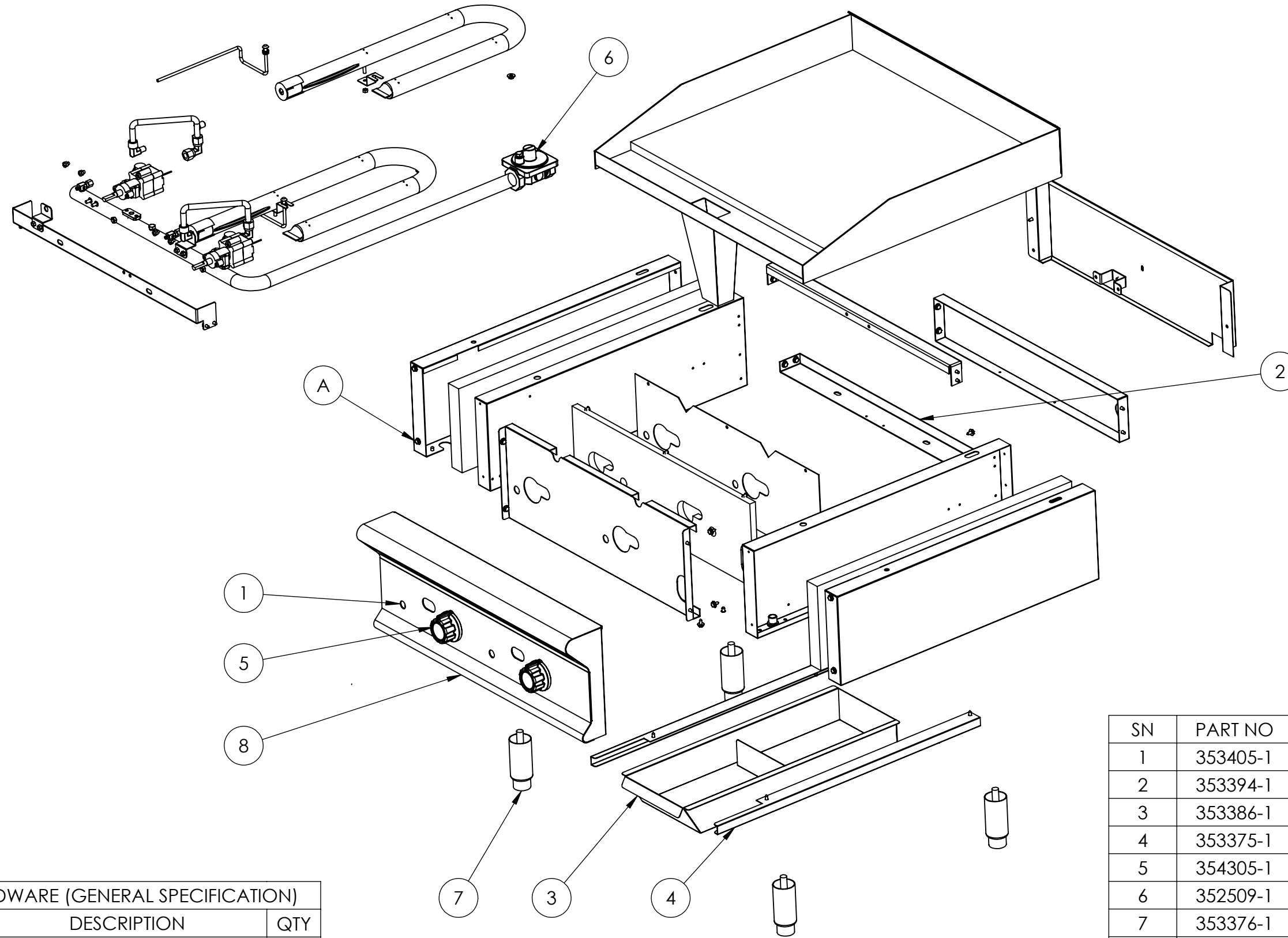
NOTE:

1. OUTPUT IS 56,000 BTU.
2. UNIT SHOULD BE INSTALLED UNDER A HOOD IN ACCORDANCE WITH THE LATEST EDITION OF THE STANDARD FOR VENTILATION CONTROL AND FIRE PROTECTION OF COMMERCIAL COOKING OPERATIONS, NFPA 96.
3. STANDING PILOTS WITH A MANUAL BURNER CONTROL VALVE FOR EACH BURNER. 3/4" NPT GAS INLET.
4. UNIT WEIGHT IS: 187.4 LBS.
5. MATERIALS: STAINLESS STEEL AND PRE-SEASONED CAST IRON.
6. CERTIFICATIONS:
  1. ANSI Z83.11:2016.
  2. CSA 1.8:2016.
  3. NSF/ANSI 4.



DIMENSIONS ARE IN INCHES (IN) UNLESS OTHERWISE NOTED.  
DIMENSIONS IN BRACKETS ARE IN MILLIMETERS (MM) AND ARE FOR REFERENCE ONLY.

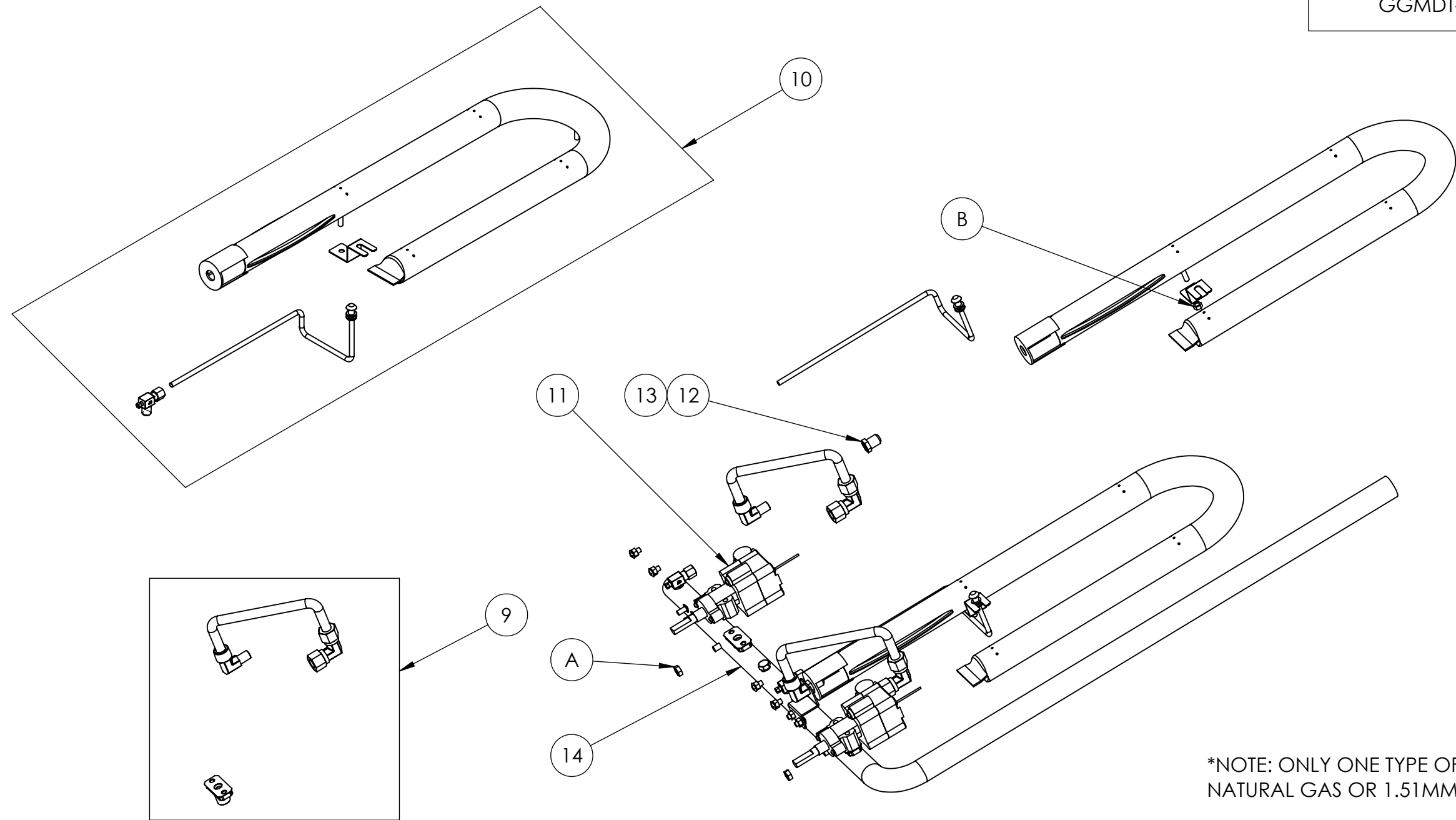
ITEM NO./MODEL NO.	DESCRIPTION
GGMDT-24	THERMOSTAT GAS GRIDDLE, 24"



HARDWARE (GENERAL SPECIFICATION)		
SN	DESCRIPTION	QTY
A	M5X0.8X10 SS TAP SCREW, FL HEX	41

SN	PART NO	DESCRIPTION	QTY
1	353405-1	FASCIA - 24IN MDT GRIDDLE	1
2	353394-1	BURNER SUPPORT - 24IN GRIDDLE	1
3	353386-1	DRIP TRAY - GRIDDLE	1
4	353375-1	DRIP TRAY SUPPORTS - MD GD	1
5	354305-1	CONTROL KNOB LG INSERT ABJ	2
6	352509-1	REGULATOR 5IN WC	1
7	353376-1	LEG, GAS APPLIANCE	4
8	354224-1	GGMDT-24 FRONT PANEL ASSY	1

ITEM NO./MODEL NO.	DESCRIPTION
GGMDT-24	THERMOSTAT GAS GRIDDLE, 24"



\*NOTE: ONLY ONE TYPE OF ORIFICE IS REQUIRED, 2.37MM FOR NATURAL GAS OR 1.51MM FOR LP

HARDWARE (GENERAL SPECIFICATION)		
SN	DESCRIPTION	QTY
A	M6X1X5 SS HEX NUT	2
B	M5X0.8X4 SS HEX NUT	8

SN	PART NO	DESCRIPTION	QTY
9	353409-1	MD VALVE CONNECTORS ASSY	2
10	353406-1	BURNER/PILOT ASSY - MDT GAS GRID	2
11	353407-1	MD THERM CONTROL VALVE	2
12	353413-1	2.37MM BRASS ORIFICE *	2
13	353414-1	1.51MM BRASS ORIFICE *	2
14	353408-1	MANIFOLD - 24IN MDT GRIDDLE	1