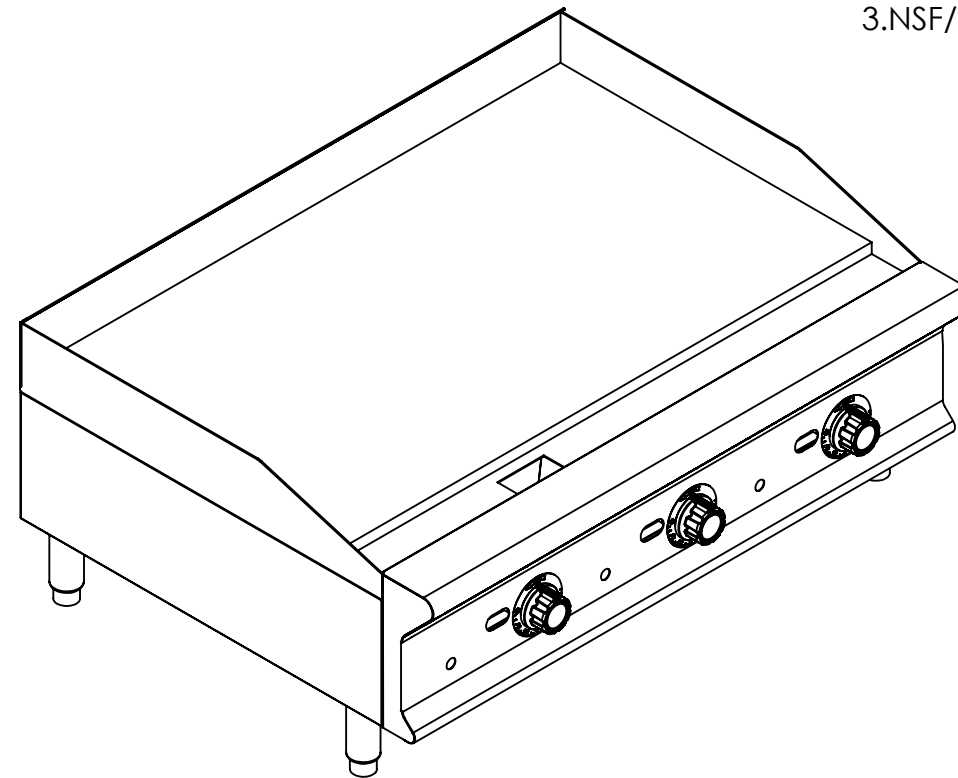
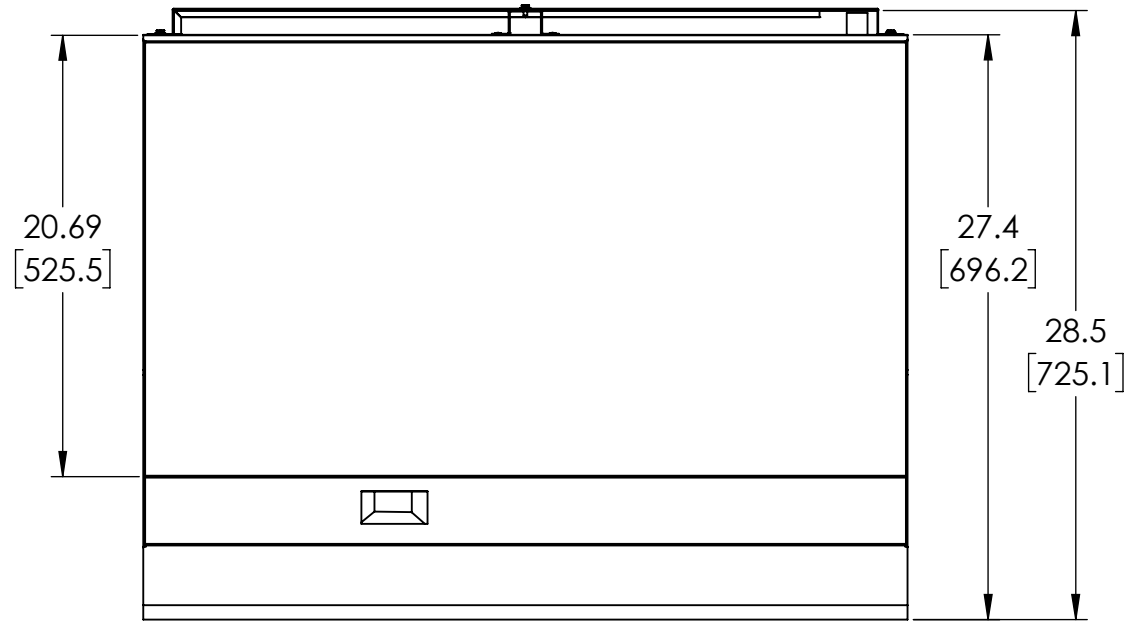
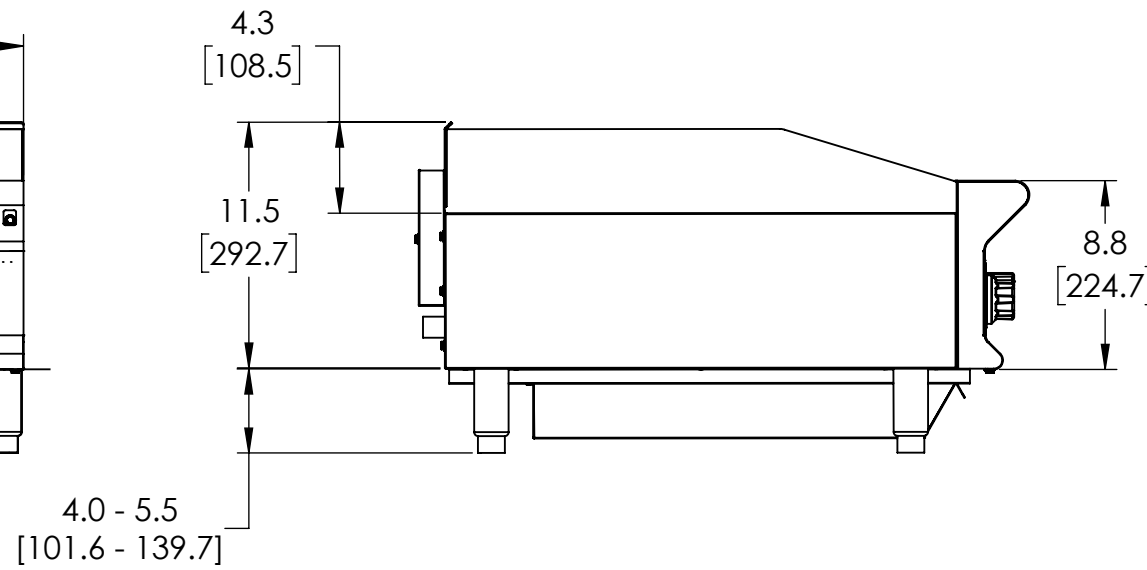
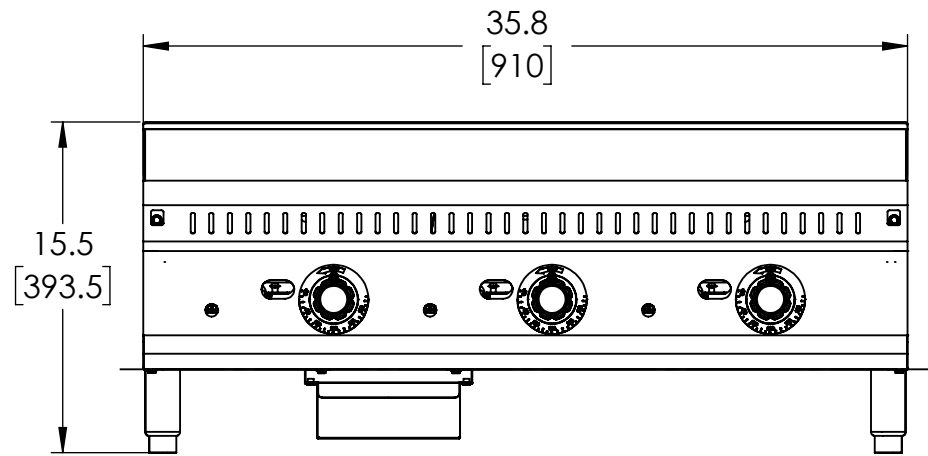


**VOLLRATH** THERMOSTAT GAS GRIDDLE, 36"

| ITEM NO./MODEL NO. | DESCRIPTION                 |
|--------------------|-----------------------------|
| GGMDT-36           | THERMOSTAT GAS GRIDDLE, 36" |



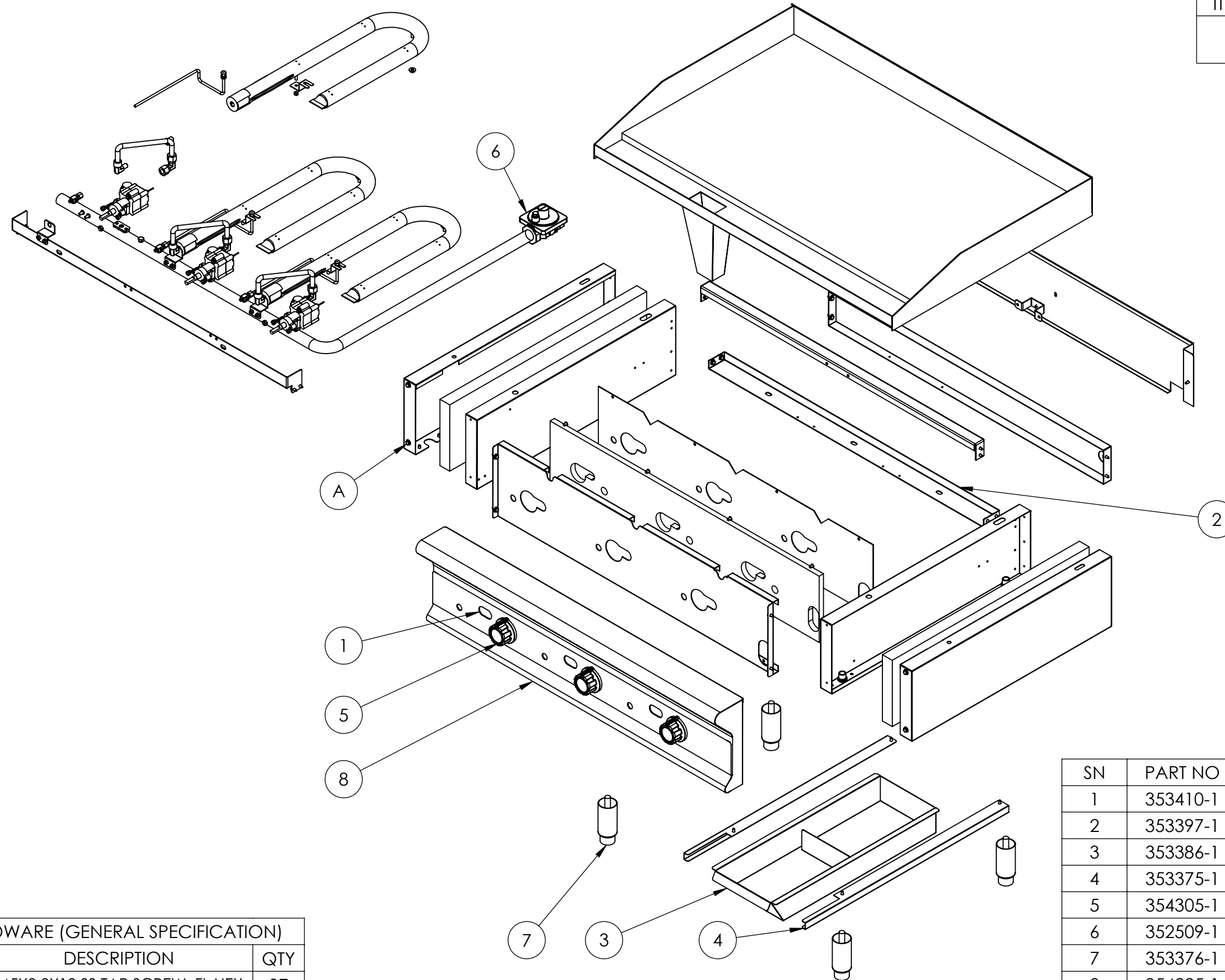
NOTE:

1. OUTPUT IS 84,000 BTU.
2. UNIT SHOULD BE INSTALLED UNDER A HOOD IN ACCORDANCE WITH THE LATEST EDITION OF THE STANDARD FOR VENTILATION CONTROL AND FIRE PROTECTION OF COMMERCIAL COOKING OPERATIONS, NFPA 96.
3. STANDING PILOTS WITH A MANUAL BURNER CONTROL VALVE FOR EACH BURNER. 3/4" NPT GAS INLET.
4. UNIT WEIGHT IS: 269.0 LBS.
5. MATERIALS: STAINLESS STEEL AND PRE-SEASONED CAST IRON.
6. CERTIFICATIONS:
  1. ANSI Z83.11:2016.
  2. CSA 1.8:2016.
  3. NSF/ANSI 4.



DIMENSIONS ARE IN INCHES (IN) UNLESS OTHERWISE NOTED.  
DIMENSIONS IN BRACKETS ARE IN MILLIMETERS (MM) AND ARE FOR REFERENCE ONLY.

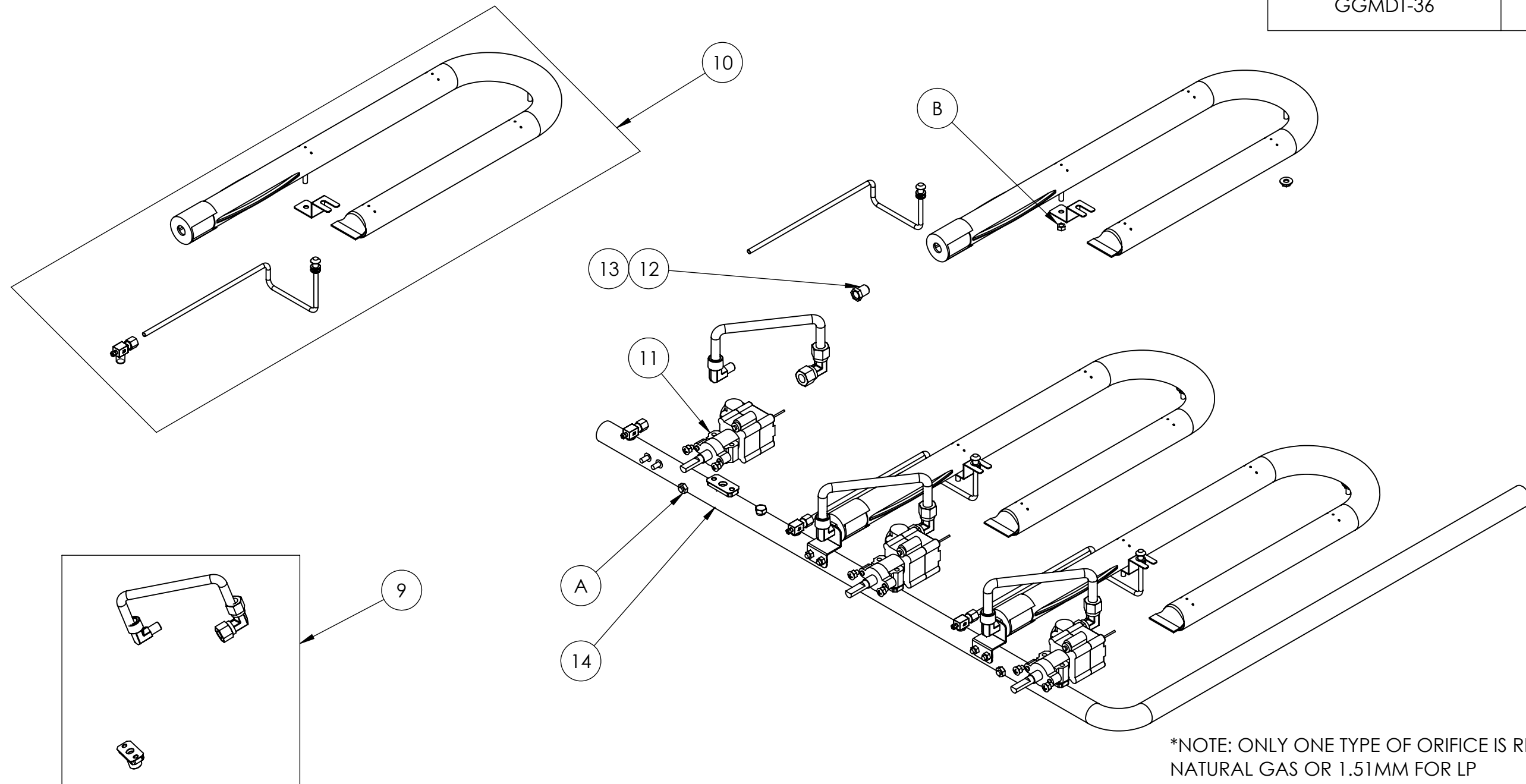
| ITEM NO./MODEL NO. | DESCRIPTION                 |
|--------------------|-----------------------------|
| GGMDT-36           | THERMOSTAT GAS GRIDDLE, 36" |



| HARDWARE (GENERAL SPECIFICATION) |                                |     |
|----------------------------------|--------------------------------|-----|
| SN                               | DESCRIPTION                    | QTY |
| A                                | M5X0.8X10 SS TAP SCREW, FL HEX | 37  |

| SN | PART NO  | DESCRIPTION                   | QTY |
|----|----------|-------------------------------|-----|
| 1  | 353410-1 | FASCIA - 36IN MDT GRIDDLE     | 1   |
| 2  | 353397-1 | BURNER SUPPORT - 36IN GRIDDLE | 1   |
| 3  | 353386-1 | DRIP TRAY - GRIDDLE           | 1   |
| 4  | 353375-1 | DRIP TRAY SUPPORTS - MD GD    | 1   |
| 5  | 354305-1 | CONTROL KNOB LG INSERT ABJ    | 3   |
| 6  | 352509-1 | REGULATOR 5IN WC              | 1   |
| 7  | 353376-1 | LEG, GAS APPLIANCE            | 4   |
| 8  | 354225-1 | GGMDT-36 FRONT PANEL ASSY     | 1   |

|                    |                             |
|--------------------|-----------------------------|
| ITEM NO./MODEL NO. | DESCRIPTION                 |
| GGMDT-36           | THERMOSTAT GAS GRIDDLE, 36" |



\*NOTE: ONLY ONE TYPE OF ORIFICE IS REQUIRED, 2.37MM FOR NATURAL GAS OR 1.51MM FOR LP

| HARDWARE (GENERAL SPECIFICATION) |                     |     |
|----------------------------------|---------------------|-----|
| SN                               | DESCRIPTION         | QTY |
| A                                | M6X1X5 SS HEX NUT   | 2   |
| B                                | M5X0.8X4 SS HEX NUT | 12  |

| SN | PART NO  | DESCRIPTION                    | QTY |
|----|----------|--------------------------------|-----|
| 9  | 353409-1 | MD VALVE CONNECTORS ASSY       | 3   |
| 10 | 353406-1 | BURNER/PILOT ASSY - MDM GAS GR | 3   |
| 11 | 353407-1 | MD THERM CONTROL VALVE         | 3   |
| 12 | 353413-1 | 2.37MM BRASS ORIFICE *         | 3   |
| 13 | 353414-1 | 1.51MM BRASS ORIFICE *         | 3   |
| 14 | 353411-1 | MANIFOLD - 36IN MDT GRIDDLE    | 1   |