

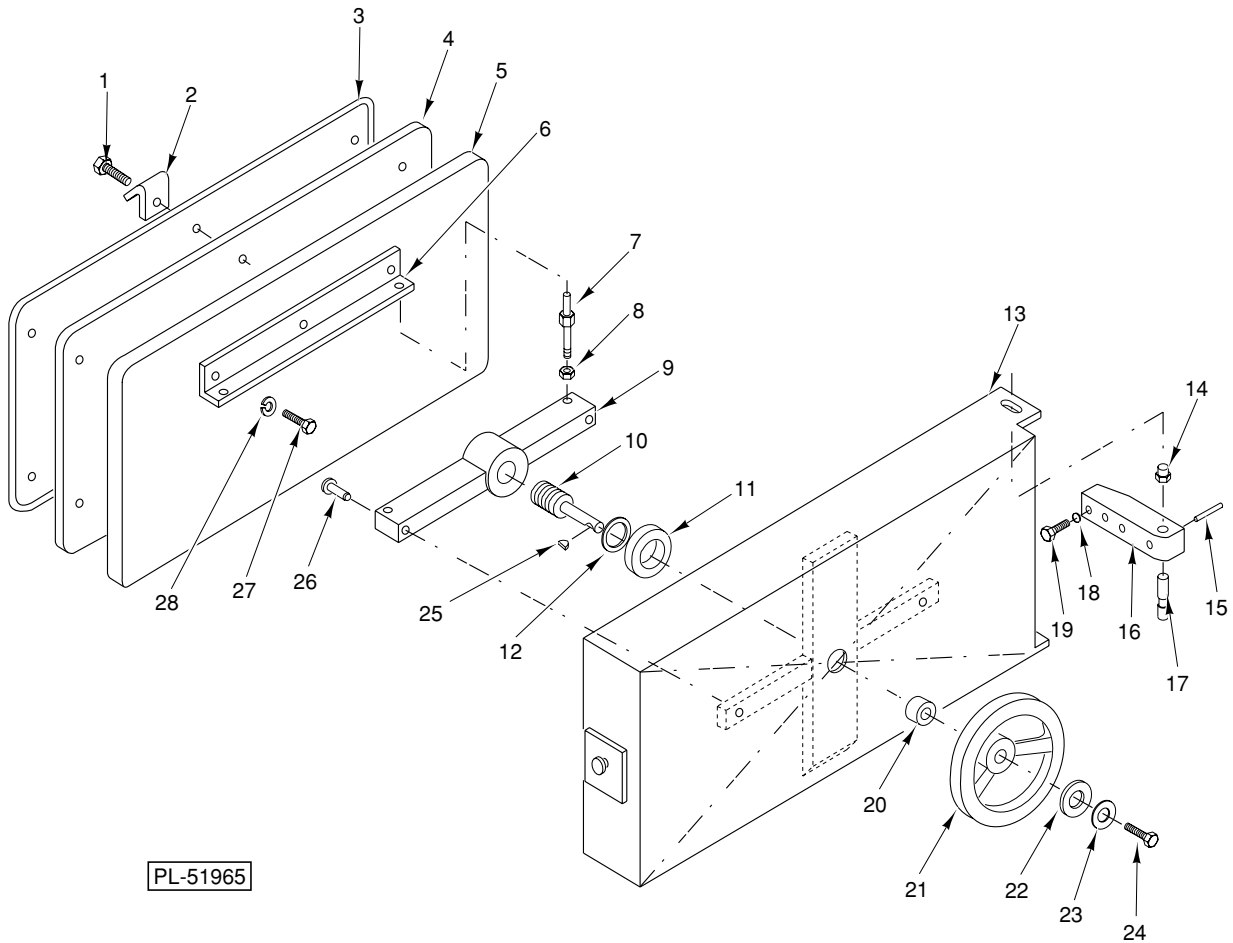
**VULCAN**

*CATALOG OF  
REPLACEMENT PARTS*

*VSCDA STEAMERS*

*VSCDA2  
VSCDA3*

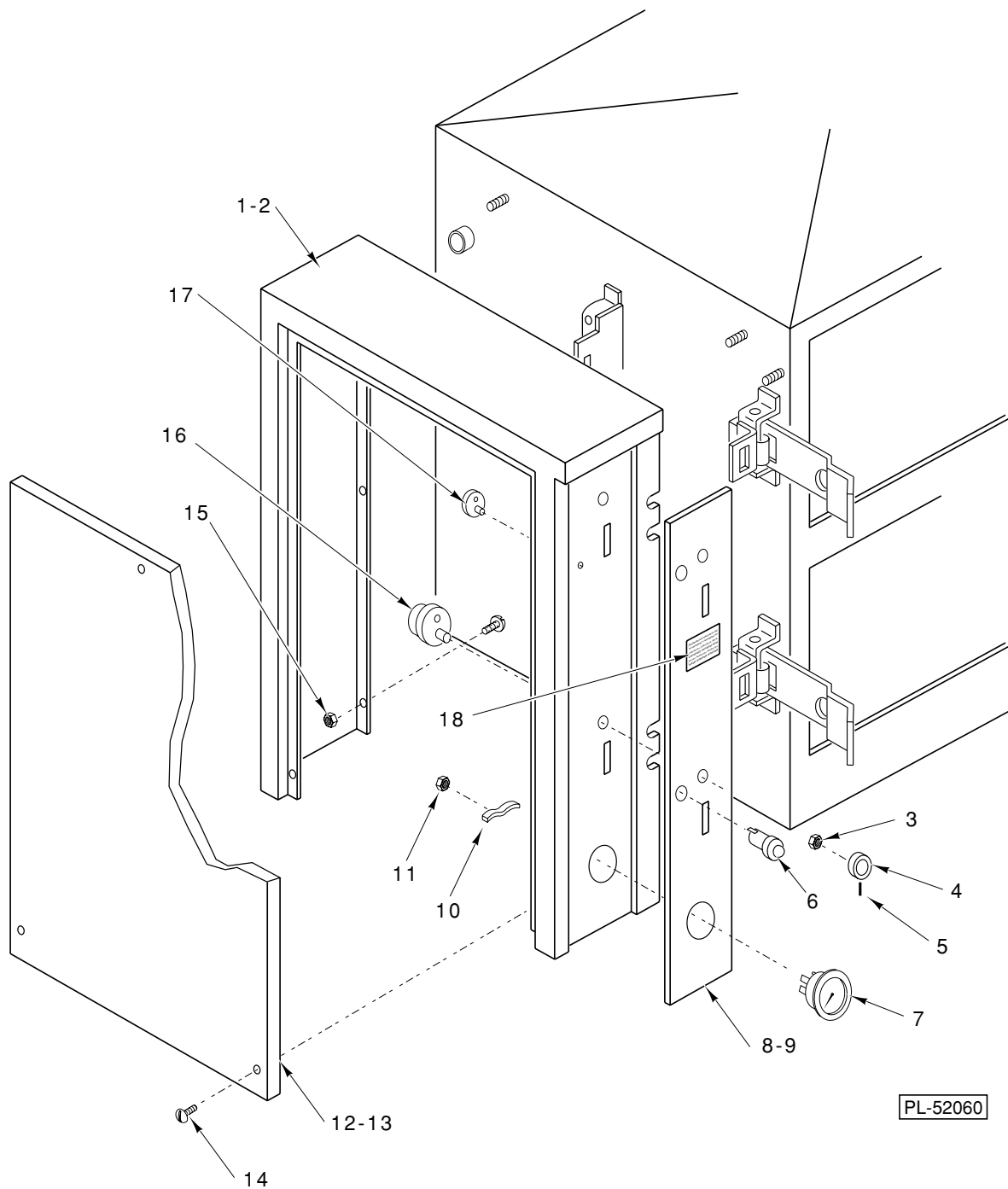
*ML-103556  
ML-103557*



### DOOR COMPARTMENT

## DOOR COMPARTMENT

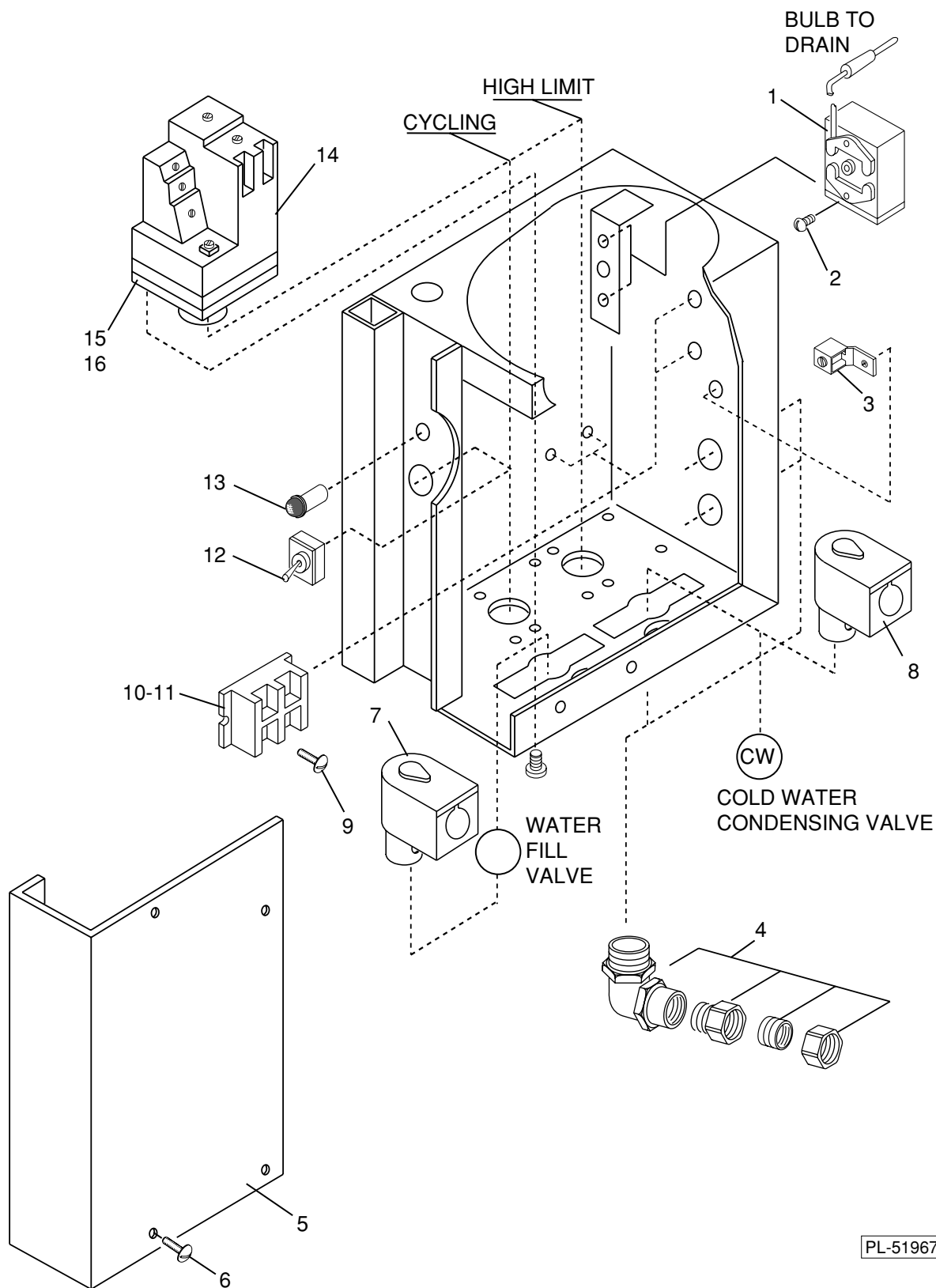
ILLUS. PL-51965	PART NO.	NAME OF PART	AMT.
1	842933	Screw - Gasket & Support Angle .....	8
2	842934	Hook - Finger .....	2
3	842935	Gasket - Panel .....	1
4	841749	Gasket - Door .....	1
5	842937	Plate - Aluminum .....	1
6	842939	Angle - Support .....	1
7	842940	Screw - Alignment .....	2
8	842941	Nut .....	2
9	841752	Bar - Thrust .....	1
10	843966	Screw - Thrust .....	1
11	850120	Bearing - Thrust Bar .....	1
12	850121	Clip - Bearing .....	1
13	842945	Door - Compartment .....	1
14	842946	Bushing - Bronze .....	2
15	842947	Pin - Tension .....	2
16	841754	Hinge .....	2
17	842949	Pin - Hinge .....	2
18	842950	"O" Ring .....	6
19	842951	Screw - Hinge .....	6
20	844421	Bushing .....	1
21	841757	Handwheel .....	1
22	842954	Washer .....	1
23	841758	Label - Open/Close .....	1
24	842956	Screw - Handwheel .....	1
25	842957	Key - Thrust Screw .....	1
26	850079	Screw - Shoulder .....	2
27	842933	Screw - Gasket & Support Angle .....	3
28	WL-6-35	Lockwasher ½ Light .....	3
	850029	Compartment Door Assy. (Incls. items 1 thru 14 & 20 thru 28) .....	1



**COOKER CONTROLS**

### COOKER CONTROLS

ILLUS. PL-52060	PART NO.	NAME OF PART	AMT.
1	842928	Enclosure - Cooker Control (2 Compartment) .....	1
2	842929	Enclosure - Cooker Control (3 Compartment) .....	1
3	842917	Nut - Timer .....	AR
4	881995	Knob - Timer .....	AR
5	842919	Set Screw - Knob .....	AR
6	840507	Light - Pilot (Green) .....	AR
7	850066	Pressure Gauge .....	1
8	842921	Label - Cooker Instruction (2 Compartment) .....	1
9	842922	Label - Cooker Instruction (3 Compartment) .....	1
10	842924	Bracket - Gauge Fastening .....	2
11	842925	Nut - Pressure Gauge .....	2
12	842930	Cover - Cooker Enclosure (2 Compartment) .....	1
13	842931	Cover - Cooker Enclosure (3 Compartment) .....	1
14	842932	Screw - Enclosure Cover .....	3
15	842958	Nut - Cooker Enclosure Mounting .....	AR
16	841736	Timer .....	1
17	841742	Buzzer .....	1
18	841960	Switch - Pressureless Mode .....	1



PL-51967

**CONTROL BOX COMPONENTS**

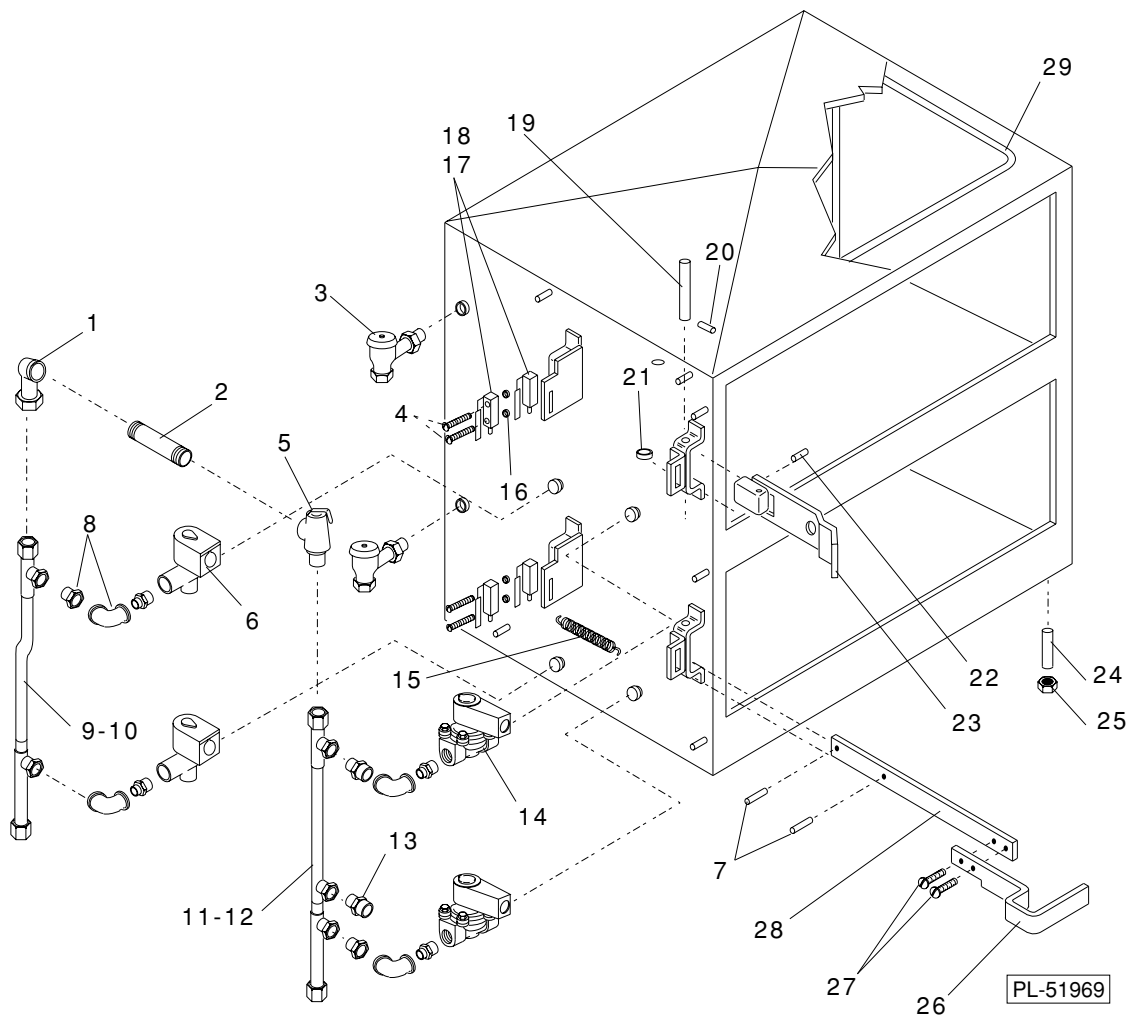
## CONTROL BOX COMPONENTS

ILLUS. PL-51967	PART NO.	NAME OF PART	AMT.
1	843779	Thermostat - Drain .....	1
2	840579	Screw - Thermostat .....	2
3	844367-8	Lug - Ground .....	1
4	850063	Elbow .....	3
5	840527	Cover - Control Box .....	1
6	840580	Bolt - Cover .....	4
7	840526	Solenoid - Cooling .....	1
8	840509	Valve - Solenoid .....	1
9	840581	Screw - Terminal Block .....	4
10	844367-51	Block - Terminal .....	2
11	843969	End Section (Terminal Block) .....	1
12	840508	Switch - Power .....	1
13	840507	Light - Pilot (Green) .....	1
14	840506	Switch - Pressure .....	2
15	843840	Transducer .....	2
16	850074	Bolt - Pressure Switch .....	8



**CABINET**

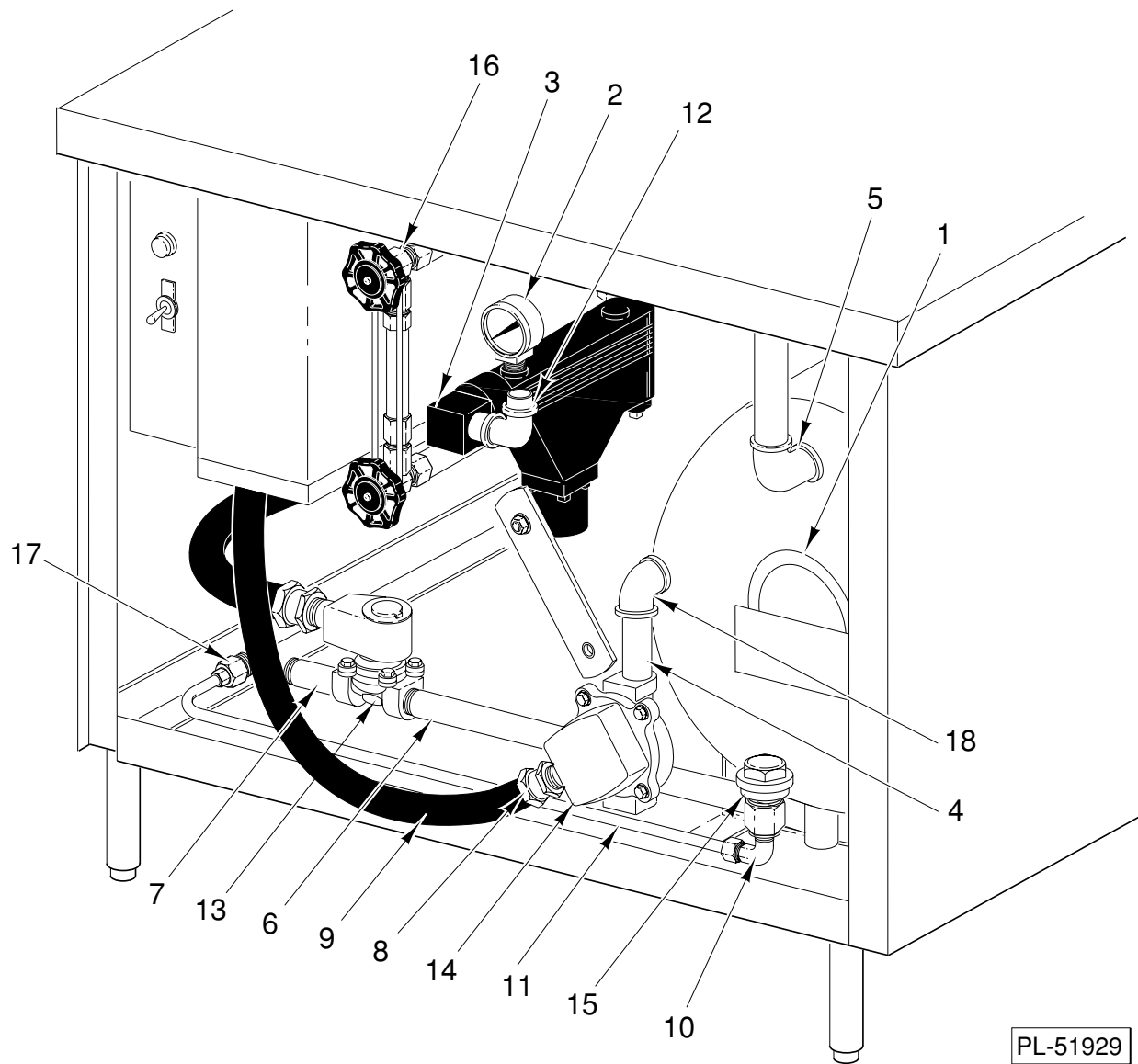
ILLUS. PL-51968	PART NO.	NAME OF PART	AMT.
1	840571	Door - Right Hand .....	1
2	840572	Door - Left Hand .....	1
3	840589	Catch - Magnetic Door .....	2
4	840570	Screws - Magnetic Door Catch .....	2
5	840590	Insert - Adjustable Foot (Front) .....	2
6	836958	Foot - Flanged Adjustable (Rear) .....	2
7	840569	Panel - Side .....	2



**COOKER COMPARTMENT PLUMBING**

## COOKER COMPARTMENT PLUMBING

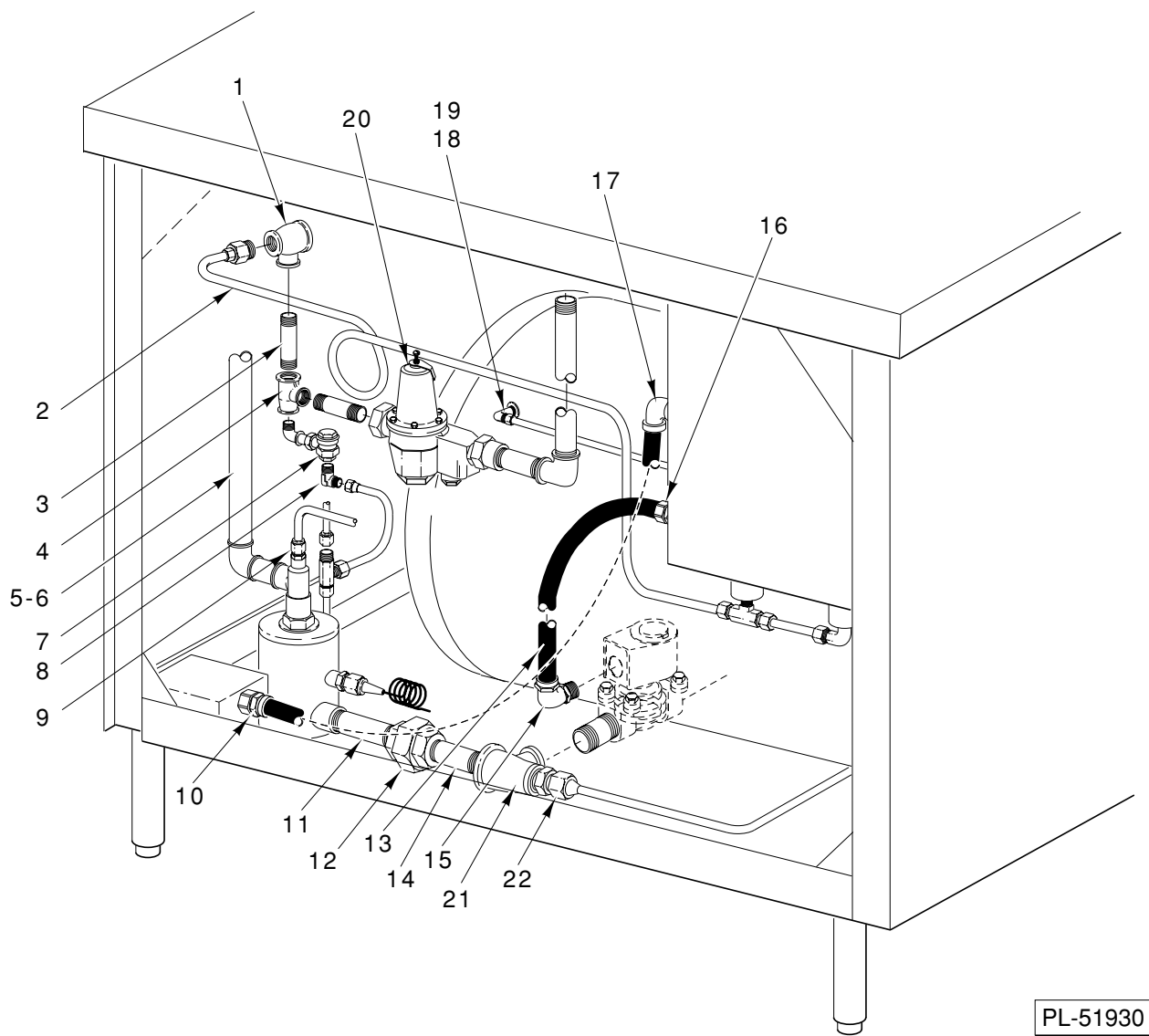
ILLUS. PL-51969	PART NO.	NAME OF PART	AMT.
1	842911	Elbow - Header Union .....	1
2	842912	Pipe - Header Connecting .....	1
3	850033	Thermostat Compartment .....	AR
4	850032	Screw - Microswitch .....	AR
5	842913	Valve - Safety Relief (8 P.S.1.) .....	1
6	842902	Valve - Exhaust Solenoid .....	AR
7	842892	Pin - Tension .....	AR
8	842904	Elbow - Union .....	AR
9	842909	Header - Exhaust (2 Compartment) .....	1
10	842910	Header - Exhaust (3 Compartment) .....	1
11	842907	Header - Steam (2 Compartment) .....	1
12	842908	Header - Steam (3 Compartment) .....	1
13	842906	Connector (To Pressure Gauge Tube) .....	1
14	842963	Valve - Steam Solenoid .....	AR
15	842893	Spring - Extension .....	AR
16	850031	Spacer - Microswitch .....	AR
17	844005	Microswitch .....	AR
18	842898	Microswitch (Gas Unit) .....	AR
19	842896	Pin - Hasp .....	AR
20	842895	Clip - Hasp Pin .....	AR
21	842897	Spacer - Hasp Alignment .....	AR
22	836975	Spring - Compression .....	AR
23	842894	Hasp .....	AR
24	842914	Bolt - Cooker Hold Down .....	4
25	842915	Nut .....	4
26	842889	Handle - Operating .....	AR
27	842890	Screw - Operating Handle .....	AR
28	842891	Arm - Operating .....	AR
29	850125	Manifold - Steam .....	1
	850035	Pan Slides (RH/LH) .....	2
	850036	Support - Universal Pan (Center) .....	1
	843943	Shelf - Rack .....	1



**BOILER PLUMBING**

### BOILER PLUMBING

ILLUS. PL-51929	PART NO.	NAME OF PART	AMT.
1	850164	Heat Exchanger .....	1
2	840515	Gauge - Pressure .....	1
3	840514	Cut-Off - Low Water .....	1
4	FP-41-77	Pipe - $\frac{3}{4}$ x $\frac{1}{2}$ .B.E. ....	1
5	FP-15-24	Street L - Pipe $\frac{3}{4}$ x 90 Deg. Brass .....	1
6	FP-42-6	Pipe - $\frac{3}{4}$ x $7\frac{1}{2}$ T.B.E. ....	1
7	FP-41-91	Pipe - $\frac{3}{4}$ x $5\frac{1}{2}$ T.B.E. ....	1
8	880675	Connector $\frac{3}{8}$ " Straight Sealtite .....	AR
9	510986	Liquid Tite $\frac{3}{8}$ (Per Foot) .....	AR
10	FP-84-48	Fitting - 90 Deg Elbow $\frac{3}{8}$ x $\frac{1}{2}$ MPT .....	1
11	503487	$\frac{3}{8}$ Copper Tube (Per Foot) .....	AR
12	880397	Connector $\frac{3}{8}$ " x 90 Deg. Sealtite .....	AR
13	840521	Valve - Blowdown Solenoid .....	1
14	841912	Valve - Water Fill Solenoid .....	1
15	843746	Steam Trap .....	1
16	840516	Water Gauge Assy. ....	1
17	FP-84-55	Fitting $\frac{3}{8}$ x $\frac{3}{8}$ MPT (Male Connector) .....	1
18	FP-15-23	Elbow $\frac{3}{4}$ x 90 Deg. Brass .....	1



LEFT SIDE VIEW W/PRESS REGULATOR

## LEFT SIDE VIEW W/PRESS REGULATOR

ILLUS. PL-51930	PART NO.	NAME OF PART	AMT.
1	FP-85-65	Tee $\frac{3}{4}$ x $\frac{3}{8}$ x $\frac{3}{4}$ Reducing .....	1
2	503487	$\frac{3}{8}$ Copper Tube (Per Foot) .....	AR
3	FP-36-5	Nipple $\frac{3}{4}$ x 3 TBE .....	1
4	FP-19-33	Tee $\frac{3}{4}$ x $\frac{3}{4}$ x $\frac{1}{2}$ Reducing .....	1
5	844072	Drain Assy. (Pressureless Cooker) .....	1
6	844412	Drain Assy. (Pressure & Boilers) .....	1
7	843746	Steam Trap .....	1
8	FP-84-53	Fitting - Compression - $\frac{3}{8}$ TBG x $\frac{1}{2}$ MPT .....	1
9	FP-47-27	Fitting - $\frac{3}{8}$ x $\frac{3}{8}$ MPT (Male Connector) .....	1
10	880675	Connector $\frac{3}{8}$ " Straight Sealite .....	1
11	FP-36-5	Nipple $\frac{3}{4}$ x 3 TBE .....	1
12	FP-81-73	Union $\frac{3}{4}$ .....	1
13	510986	Liquid Tite $\frac{3}{8}$ (Per Foot) .....	AR
14	FP-36-95	Nipple $\frac{3}{4}$ x 2 TBE .....	1
15	880397	Connector $\frac{3}{8}$ " x 90 Deg. Sealite .....	1
16	880675	Connector $\frac{3}{8}$ " Straight Sealite .....	1
17	880397	Connector $\frac{3}{8}$ " x 90 Deg. Sealite .....	1
18	FP-84-53	Fitting - Compression - $\frac{3}{8}$ TBG x $\frac{1}{2}$ MPT .....	1
19	503487	$\frac{3}{8}$ Copper Tube (Per Foot) .....	AR
20	880028	Valve - Pressure Regulating $\frac{3}{4}$ N.P.T. ....	1
21	FP-84-55	Fitting $\frac{3}{8}$ x $\frac{3}{8}$ MPT (Male Connector) .....	1
22	FP-83-90	Tee - $\frac{3}{4}$ x $\frac{3}{4}$ x $\frac{3}{8}$ Reducing .....	1

