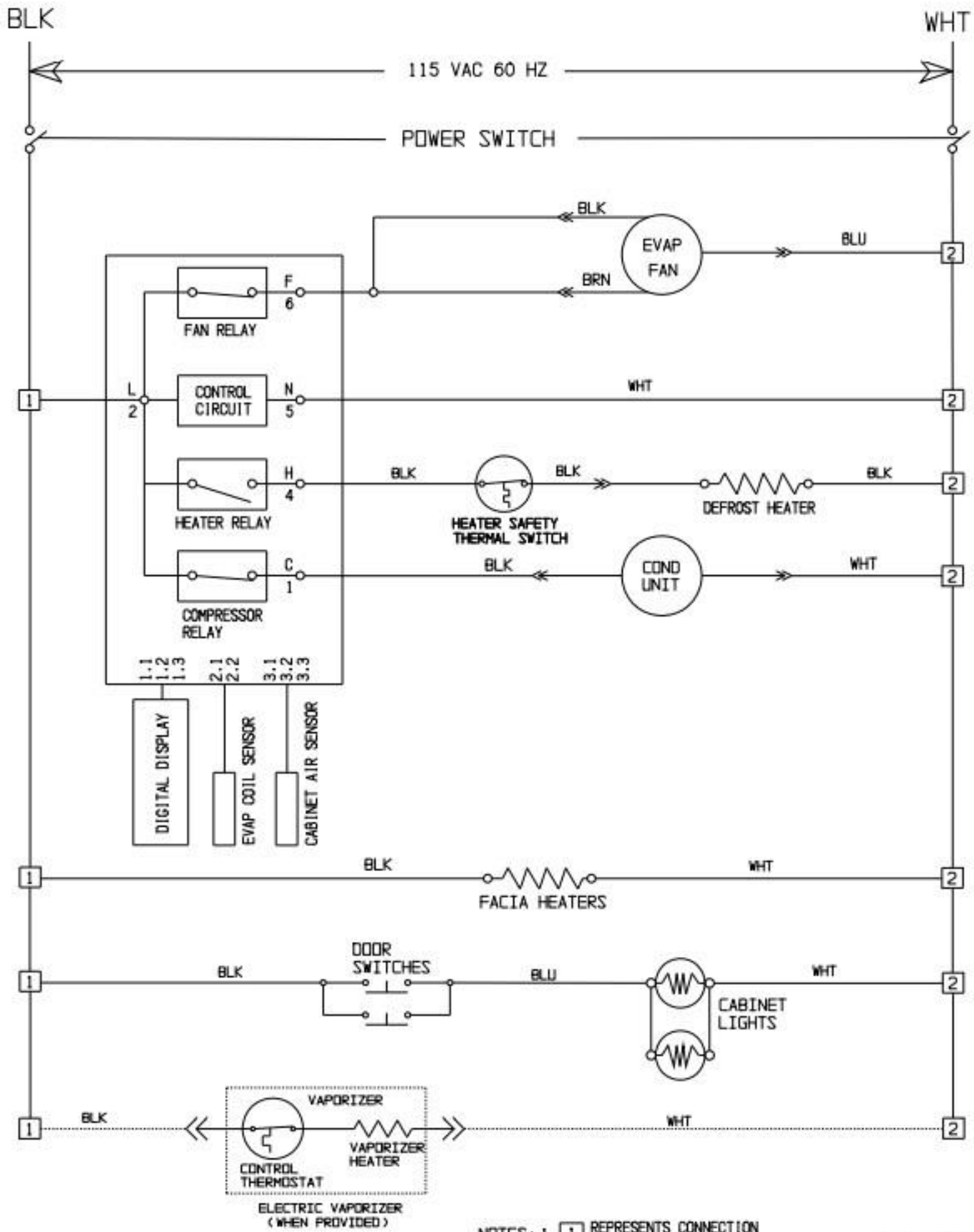
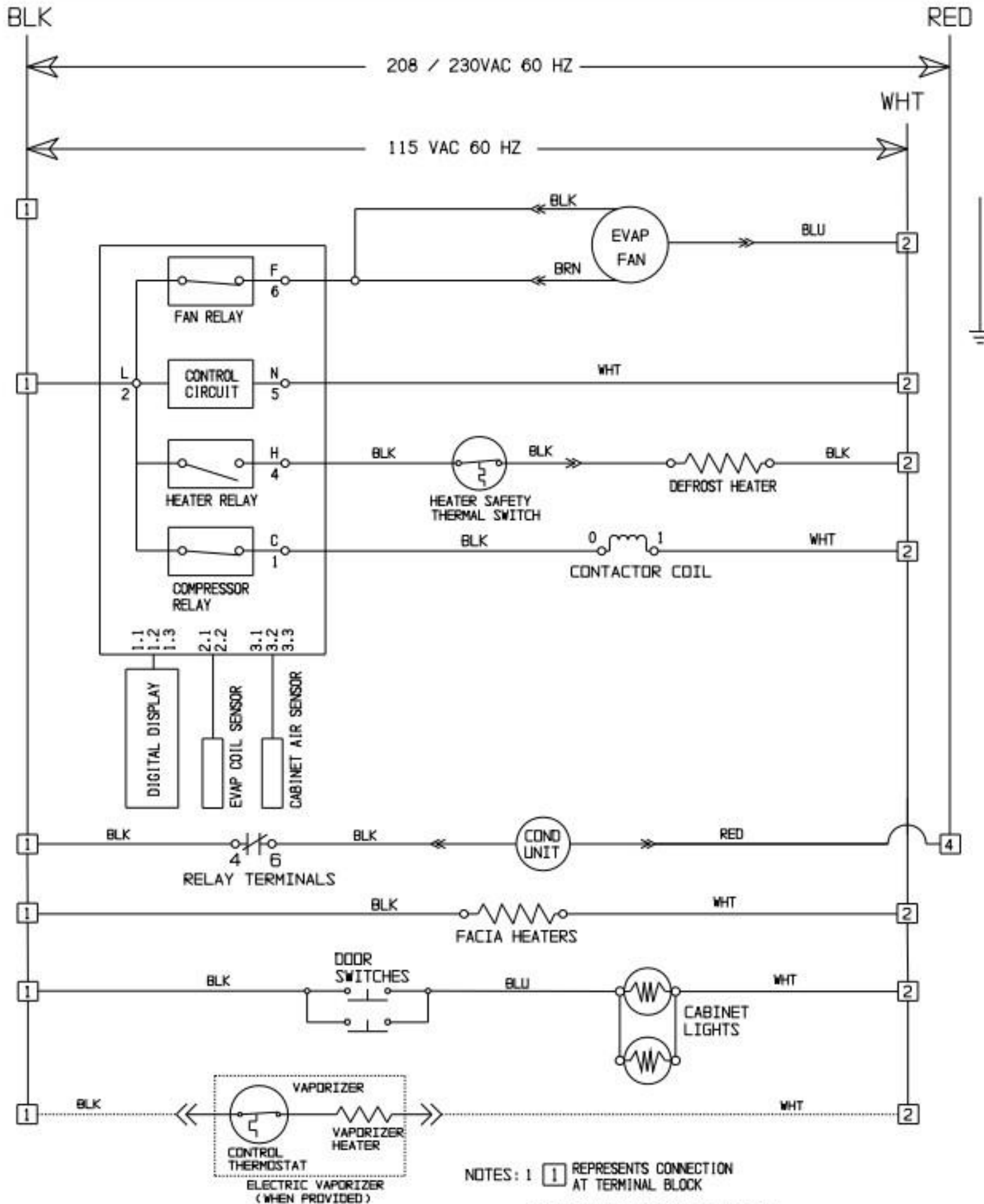


NOTES: 1 [1] REPRESENTS CONNECTION AT TERMINAL BLOCK
 2 EVAP FAN: FAN SPEED IS LOW WHEN COMPRESSOR IS OFF AND

4 FAN RELAY OPENS WHEN COMPRESSOR RELAY OPENS.



NOTES: 1 [] REPRESENTS CONNECTION



NOTES: 1 [] REPRESENTS CONNECTION AT TERMINAL BLOCK