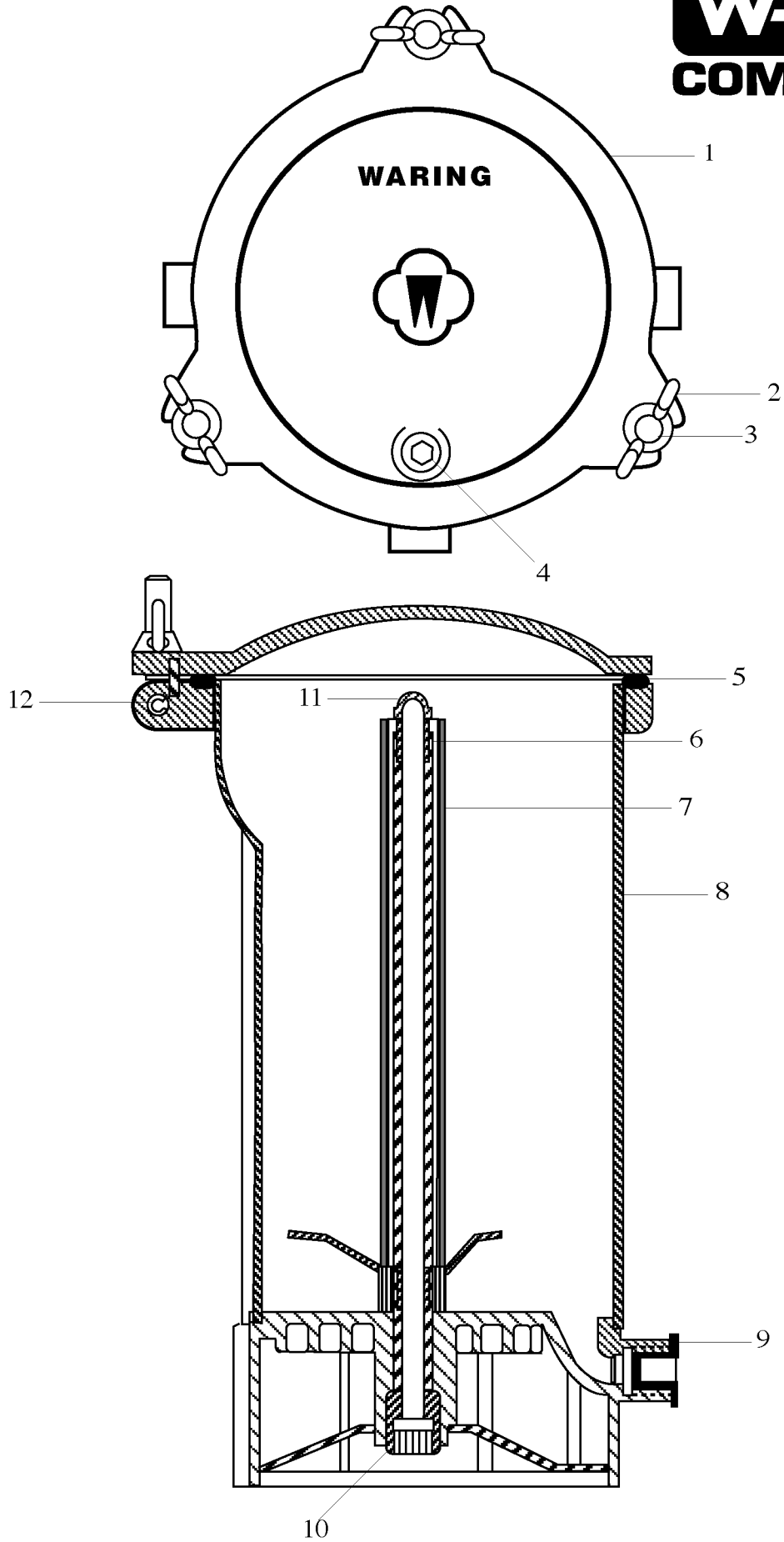


WARING
COMMERCIAL

AS-1



AS-1

Aseptic Dispersall Assy.



Illustration#	Part#	Description
1	500011	Cover
2	003413	Wing Nut Assy. 3 Req.'d
3	003415	Eye Bolt 3 Req.'d
4	003417	Pipe Plug
5	003416	Sealing Ring
6	003440	Bearing 2 Req.'d /one top & one bottom
7	003471	Blade Assy.
8	003477	Container and Bottom Plate Assy.
9	003438	Threaded Plug
10	003473	Drive Shaft Assy.
11	003414	Spirol Pin 3 Req.'d
	003432	Cap Nut