

WARING
COMMERCIAL
BAR GLASS WASHER

016708

KEEP WATER
TO THIS
LEVEL

016703

WARING
COMMERCIAL®

BGW10

This unit is no longer in production

CAUTION
DO NOT IMMERSE UNIT
BEYOND WATER LEVEL
MARK ON MOTOR SUPPORT

018226

CAUTION
UNIT NOT TO BE
OPERATED DRY OR IN
EXTREME HOT WATER

016774

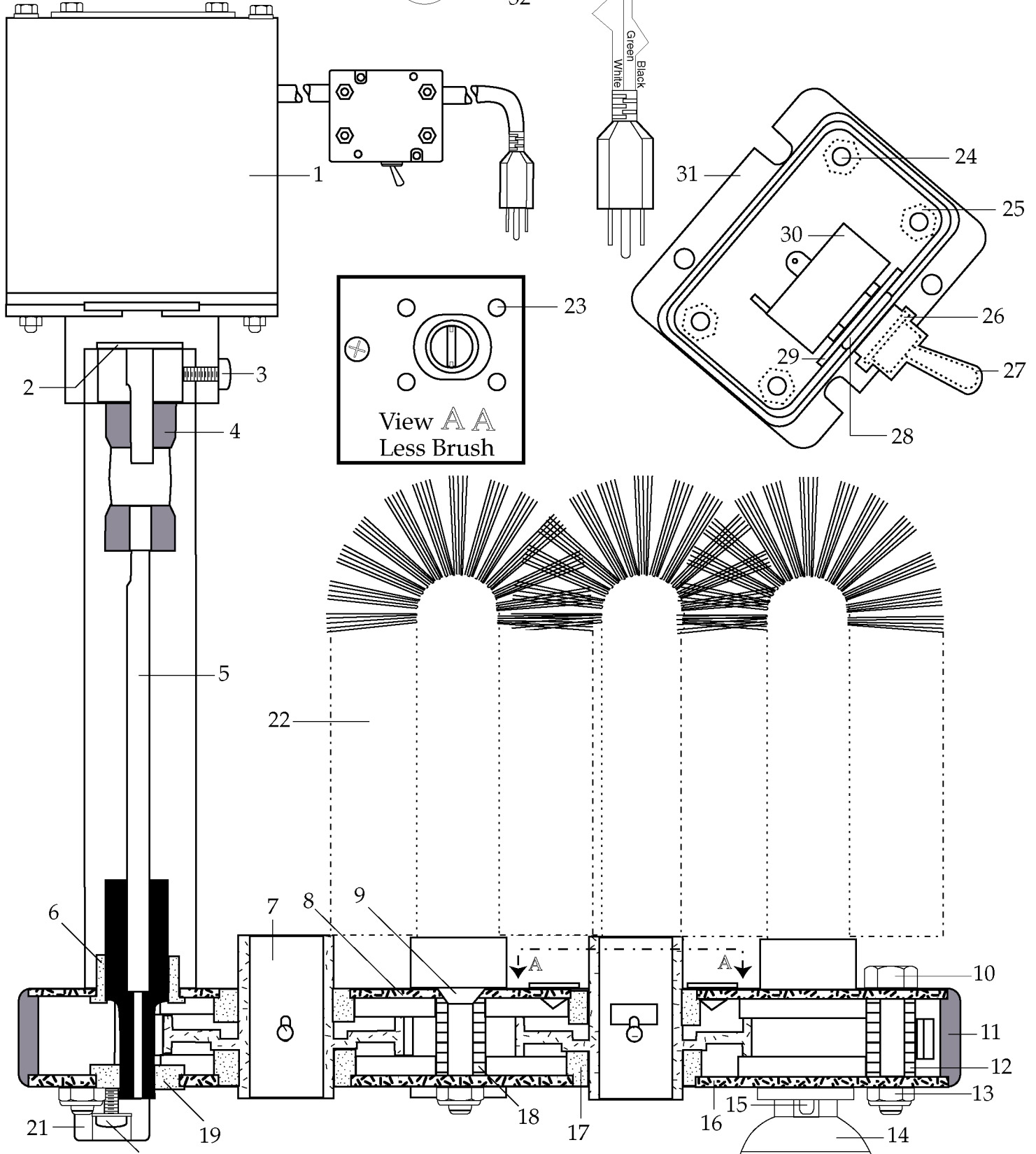
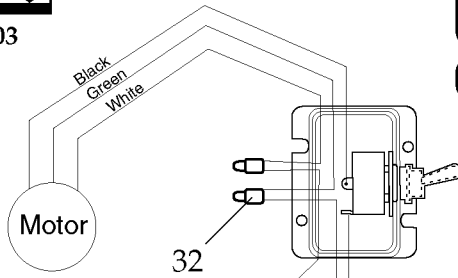


Illustration #	Part #	Description
1	501793	Motor with Switch and Cord Set
2	016706	Seal
3	018225	Allen Screw 3 Req.'d
4	016707	Coupling
5	501833	Pinion and Sleeve Assy.
6	016696	Upper Bearing
7	016695	Gear 7 Req.'d
8	501588	Plate and Tube with Gusset
9	017023	Screw
10	016691	Hex Head Bolt 7 Req.'d
11	016698	Bumper
12	016692	Spacer 7 Req.'d
13	016697	Hex Nut 8 Req.'d
14	016688	Suction Cup 2 Req.'d
15	016762	Stud 2 Req.'d
16	017022	Base Plate
17	017643	Bearing 14 Req.'d
18	017026	Spacer
19	016693	Lower Bearing
20	016690	Screw 2 Req.'d
21	016689	Foot 2 Req.'d
22	501764	Brush 5 Req.'d
23	016702	Button Bumper 4 Req.'d
24	018317	Screw 4 Req.'d
25	016716	Hex Nut 4 Req.'d
26	018323	Mounting Shoulder Nut
27	018324	Toggle Switch Boot
28	018316	"O" Ring
29	018325	"O" Ring Backup Plate
30	018315	Switch
31	018289	Switch Cover 2 Req.'d
32	012409	Crimp Connector 2 Req.'d

Items Not Shown

501814 - Motor Assy. with Shaft, Pinion, Switch & Cord Set

018290 - Switch Mount

016733 - Screw 2 Req.'d

023371 - Strain Relief /cordset to motor